

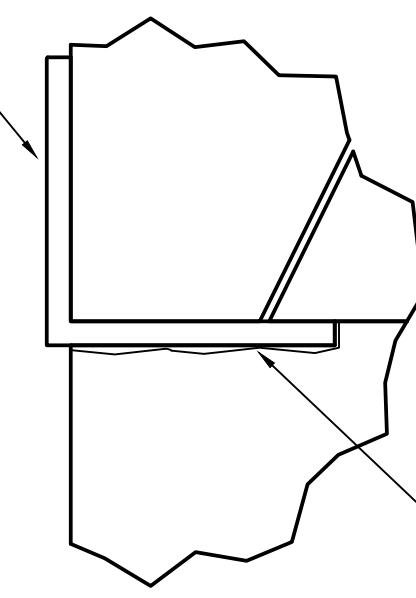
Ø345 [Ø13 9/16"]
FLUE OUTLET; 12" B-VENT PIPE W/
DOWN-DRAFT DIVERTER; 12" MFD;
RS014 FAN REQUIRED

TOP VIEW

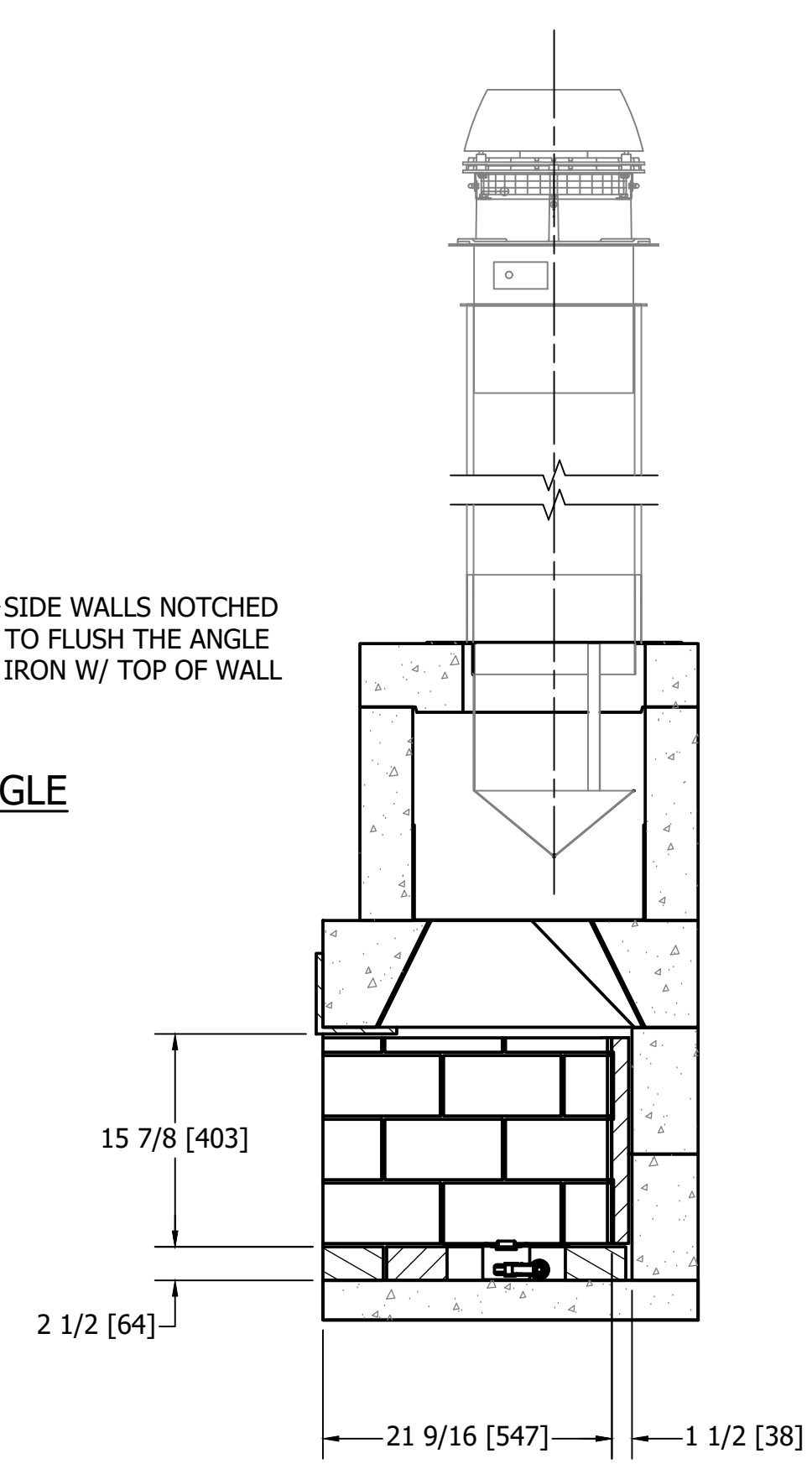
6" x 6" x 1/2"
STEEL ANGLE

6" x 6" x 1/2"
STEEL ANGLE

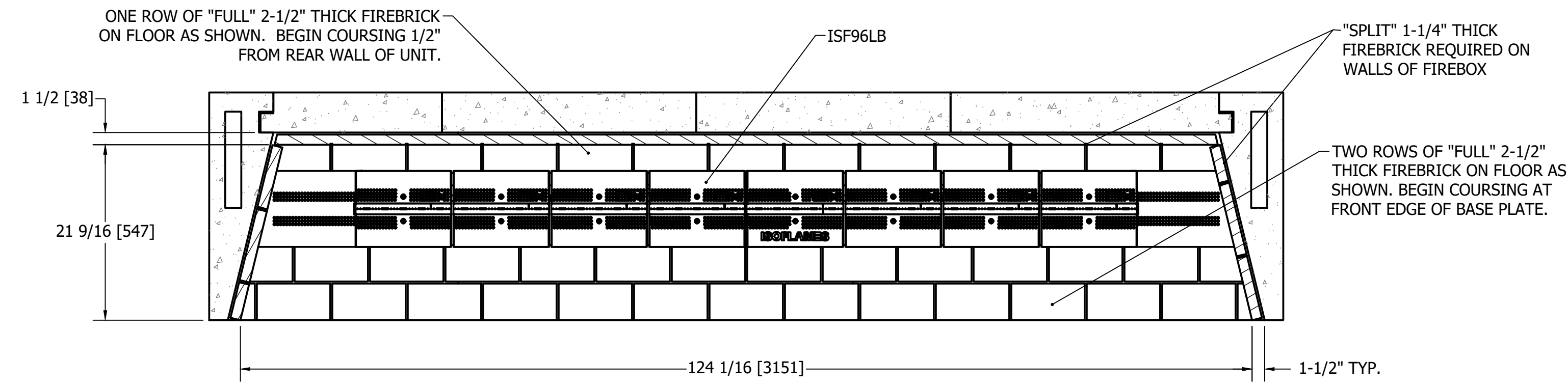
DETAIL A
DAMPER SUPPORT ANGLE
SCALE: N.T.S



SIDE WALLS NOTCHED
TO FLUSH THE ANGLE
IRON W/ TOP OF WALL



SECTION B-B



SECTION A-A

ONE ROW OF "FULL" 2-1/2" THICK FIREBRICK
ON FLOOR AS SHOWN. BEGIN COURSING 1/2"
FROM REAR WALL OF UNIT.

ISF96LB

"SPLIT" 1-1/4" THICK
FIREBRICK REQUIRED ON
WALLS OF FIREBOX

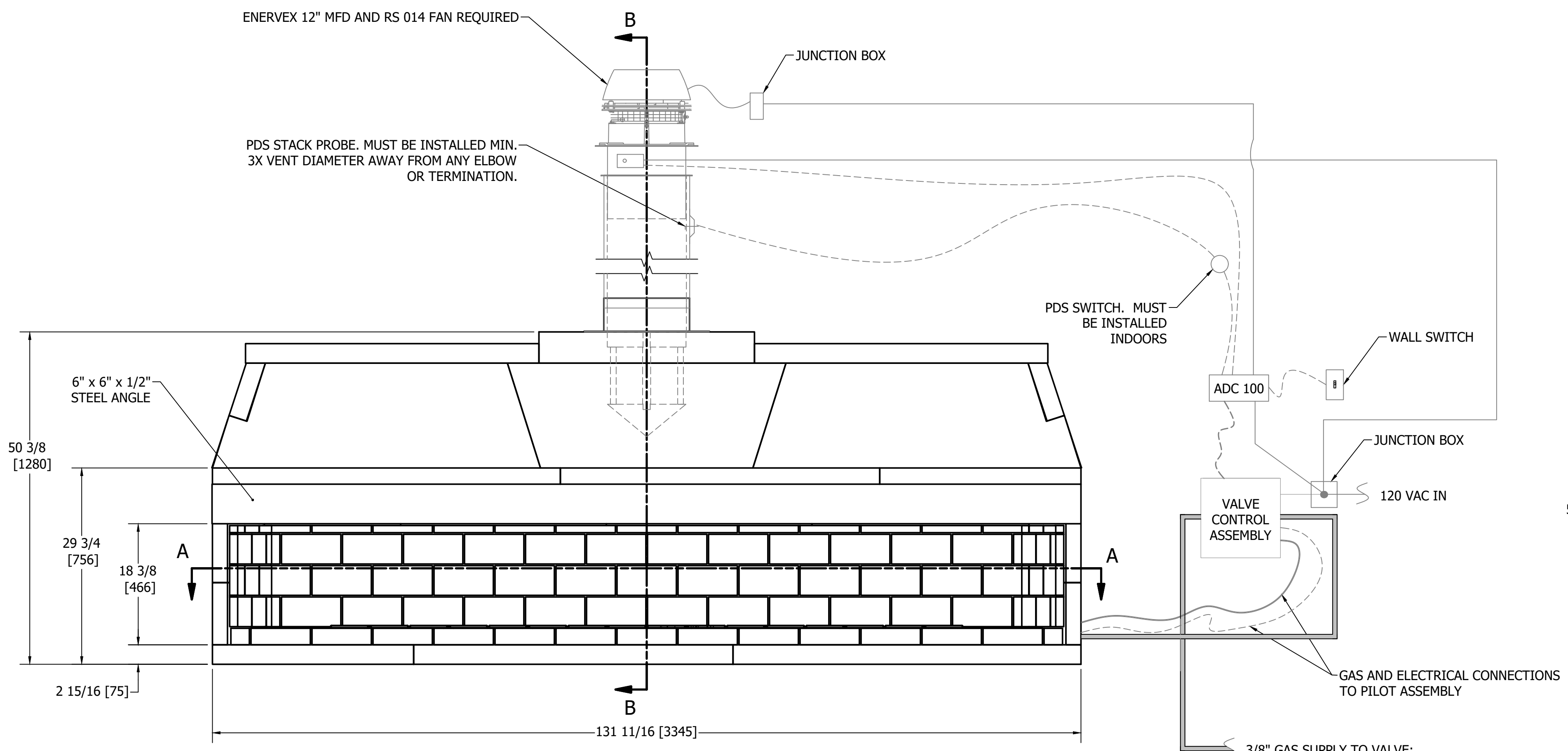
TWO ROWS OF "FULL" 2-1/2"
THICK FIREBRICK ON FLOOR AS
SHOWN. BEGIN COURSING AT
FRONT EDGE OF BASE PLATE.

1-1/2" TYP.

PARTS LIST		
PART NUMBER	DESCRIPTION	QTY
16	SMOKE DOME-60/72"	4
34	SMOKE DOME SIDE	2
69	DAMPER BEAM-42"	2
70	DAMPER BEAM-46/48"	2
71	BACKWALL-60"	2
73	BACKWALL-72"	2
74	DAMPER BEAM-60"	2
77	TOP PLATE-36/42"	1
116	SMOKE DOME-120"	2
123	TOP PLATE-82L120	2
162	BACK WALL-84/96/120"	4
M90	MAGNUM SIDEWALL	4
M92	MAGNUM BASE PLATE-42"	1
M93	MAGNUM BASE PLATE-48"	1
M96	MAGNUM BASE PLATE-60"	1
M94L	MAGNUM DAMPER BLOCK; LEFT	1
M94R	MAGNUM DAMPER BLOCK; RIGHT	1
ISF96LB	96" LINEAR BURNER ASSEMBLY	1
12MDD	METAL- FAB 12" B-VENT DOWN DRAFT DIVERTER	1
OAK12NG	4" OUTSIDE AIR KIT (OPTIONAL)	2
302.0100.1200	ADC 100 W/ PDS	1
101.0499.1200	ENERVEX RS014 FAN	1
216.0200.1212	ENERVEX 12" MFD FOR RS 014 FAN	1
N/A	6"x6"x1/2" STEEL ANGLE (NOT PROVIDED BY EARTHCORE, MUST SOURCE LOCALLY)	1

GENERAL NOTES:

1. THE ISOKERN LINEAR FIREPLACE MODELS ARE TOP-VENTED, GAS ONLY FIREPLACES THAT ARE LISTED FOR USE ONLY WITH THE ISOKERN MODULAR BURNER SYSTEM AS SHOWN IN THESE DRAWINGS AND LISTED IN THE INSTALLATION MANUAL. THESE GAS APPLIANCES COME WITH A GAS CONTROL VALVE ASSEMBLY THAT INCLUDES AN AUTOMATIC DRAFT AND SAFETY SYSTEM.
2. THIS APPLIANCE IS ONLY FOR USE WITH THE TYPE OF GAS INDICATED ON THE RATING PLATE AND MAY BE INSTALLED IN THE AFTER-MARKET, PERMANENTLY LOCATED, MANUFACTURED HOME (USA ONLY) OR MOBILE HOME, WHERE NOT PROHIBITED BY LOCAL CODES. SEE OWNER'S MANUAL FOR DETAILS.
3. THE EXHAUST FLUE GASES ARE TO BE VENTED THROUGH THE TOP OF THE UNIT WITH 12" METAL-FAB UL LISTED B-VENT PIPING WITH DOWN-DRAFT DIVERTER. THIS TWELVE INCH (12") DIAMETER, DOUBLE WALL B-VENTING SYSTEM ARE NOT SUPPLIED BUT ARE REQUIRED FOR PROPER OPERATION OF ALL LINEAR FIREPLACE MODELS.
4. NOT REPRESENTED ON THIS DRAWING, BUT RECOMMENDED FOR OPERATION ARE (2X) Ø4" OUTSIDE AIR KITS. THESE SHALL ORIGINATE FROM OUTSIDE AIR.
5. DRAWINGS ARE FOR DESIGN PURPOSES ONLY AND ARE THE SOLE PROPERTY OF EARTHCORE INDUSTRIES. ANY REPRODUCTION OR UNAUTHORIZED USE IS STRICTLY PROHIBITED.
6. EARTHCORE/ ISOKERN OR ANY DIVISION THEREOF SHALL NOT BE HELD LIABLE FOR ANY INCIDENTAL OR CONSEQUENTIAL DAMAGES OR EXPENSES ARISING OUT OF THE USE OF THE FIREPLACES OR CHIMNEY SYSTEMS.
7. ALWAYS CHECK LOCAL BUILDING CODES GOVERNING FIREPLACES AND FIREPLACE INSTALLATIONS.



FRONT VIEW

ENERVEX 12" MFD AND RS 014 FAN REQUIRED

PDS STACK PROBE. MUST BE INSTALLED MIN.
3X VENT DIAMETER AWAY FROM ANY ELBOW
OR TERMINATION.

PDS SWITCH. MUST
BE INSTALLED
INDOORS

WALL SWITCH

ADC 100

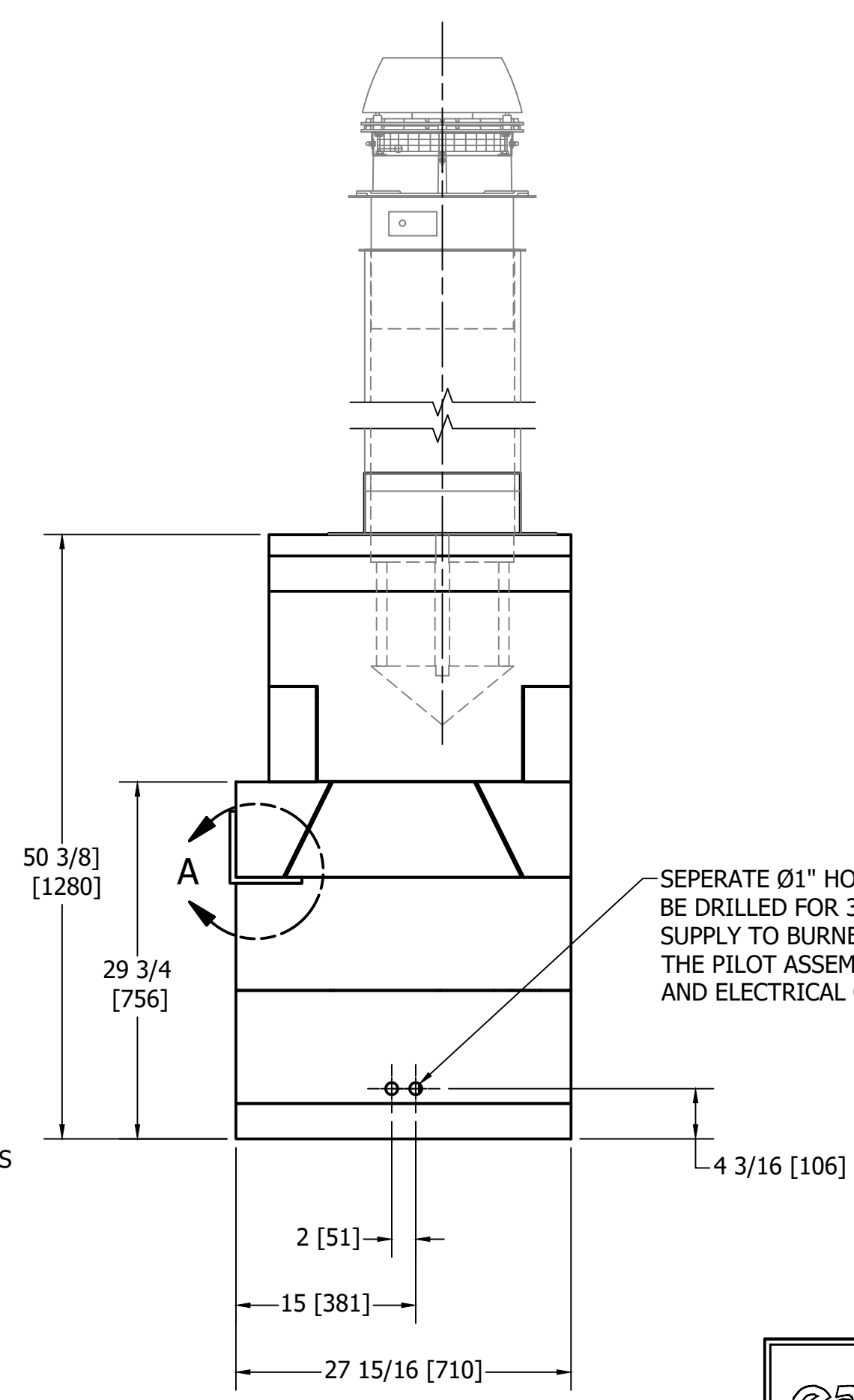
JUNCTION BOX

VALVE
CONTROL
ASSEMBLY

120 VAC IN

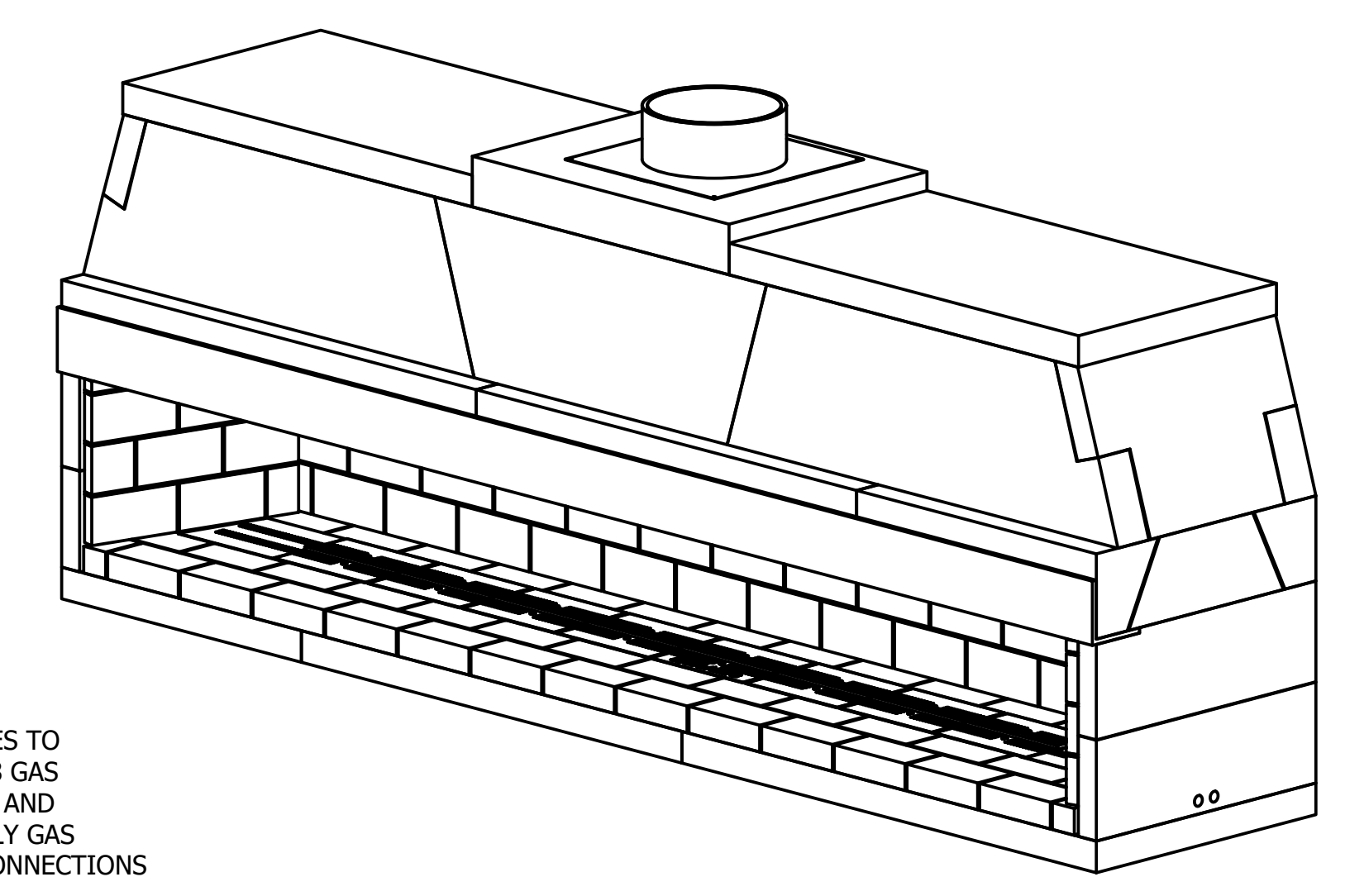
GAS AND ELECTRICAL CONNECTIONS
TO PILOT ASSEMBLY

3/8" GAS SUPPLY TO VALVE:
• NG: 5" W.C. MIN./ 10.5" W.C. MAX.
• LP: 11" W.C. MIN./ 13" W.C. MAX.



RIGHT-SIDE VIEW

SEPERATE Ø1" HOLES TO
BE DRILLED FOR 3/8" GAS
SUPPLY TO BURNER AND
THE PILOT ASSEMBLY GAS
AND ELECTRICAL CONNECTIONS



ISOMETRIC VIEW (N.T.S)

	UNLESS OTHERWISE STATED, ALL DIMENSIONS ARE IN INCHES		PROJECT: 10' MAXIMUS LINEAR	
	THIRD ANGLE PROJECTION	DESCRIPTION: FIREPLACE CONSTRUCTION DOCUMENT		
ANG. A ±	MATERIAL: E.C. PUMICE MIXTURE		DATE: 5/20/20	SCALE: 1"=1'-0"
LIN. XX ±	DRAWN: K.B.H.		DATE: 5/20/20	DRAWING #: 82L120
XXX ±	APPROVED:		DATE:	REV: B
DO NOT SCALE		SHEET #		OF