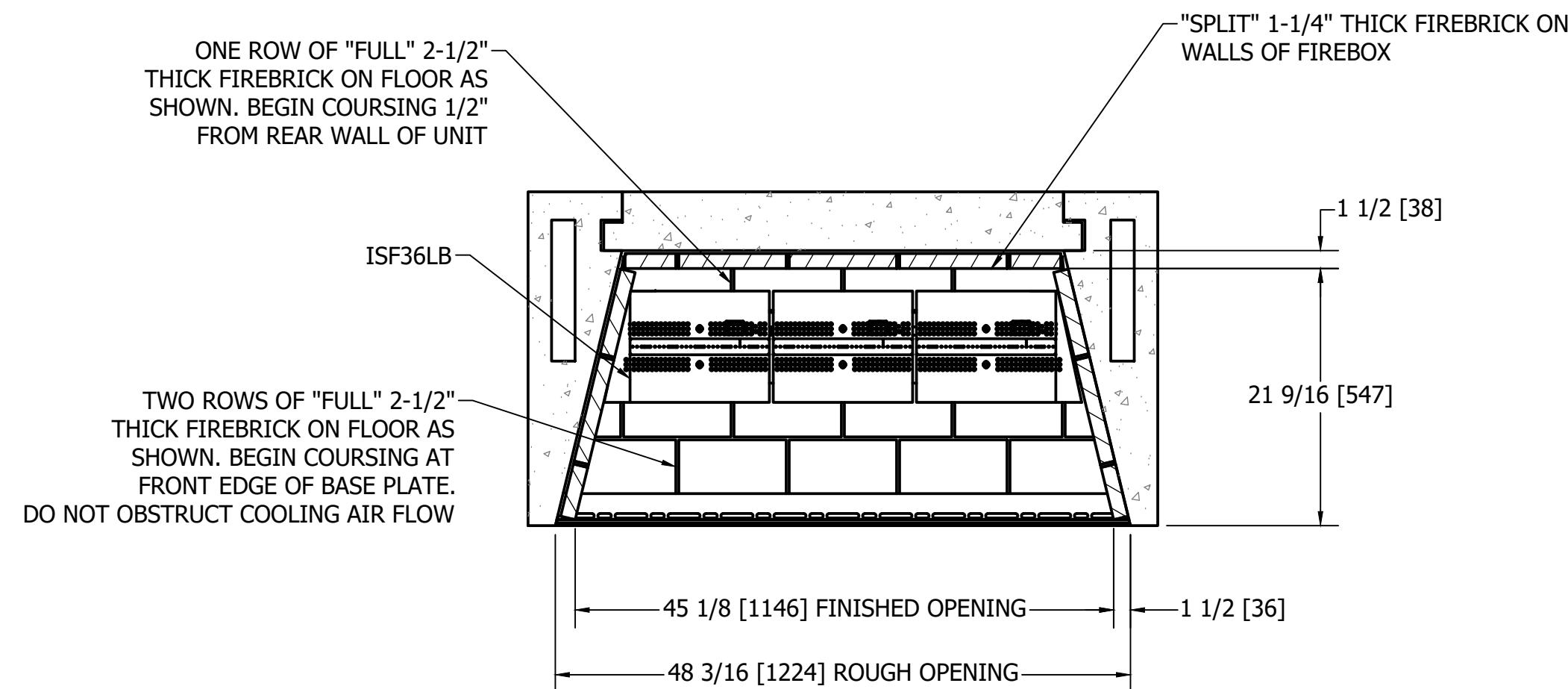


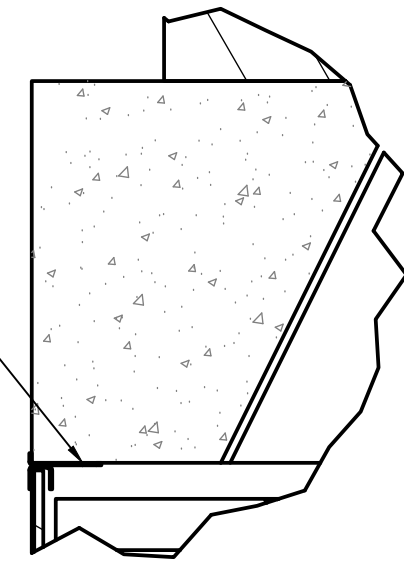
Ø13 9/16 [Ø345] FLUE OUTLET. 12" B-VENT PIPE W/ DOWN-DRAFT DIVERTER; ENERVEX 12" M.F.D., AND RS012 FAN REQUIRED

TOP VIEW



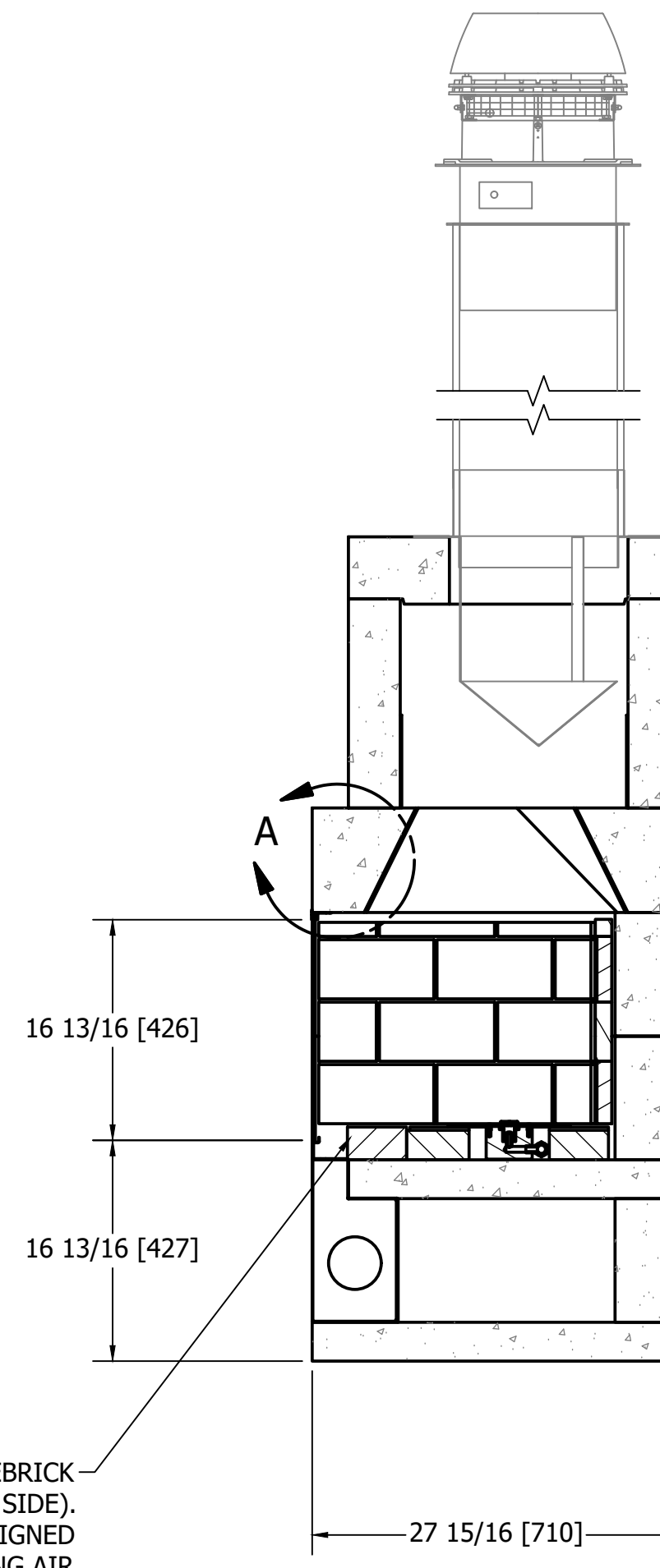
SECTION A-A

TG1 GLASS ASSEMBLY TAPCON INTO UNDERSIDE OF DAMPER BEAM



DETAIL A SCALE 1 / 4

TWO ROWS OF "FULL" 2-1/2" THICK FIREBRICK REQUIRED ON FLOOR OF FIREBOX (EACH SIDE). LEADING EDGE OF FIREBRICK SHALL BE ALIGNED WITH THE INNER EDGE OF THE COOLING AIR SLOTS AND SHALL NOT OBSTRUCT AIR FLOW.

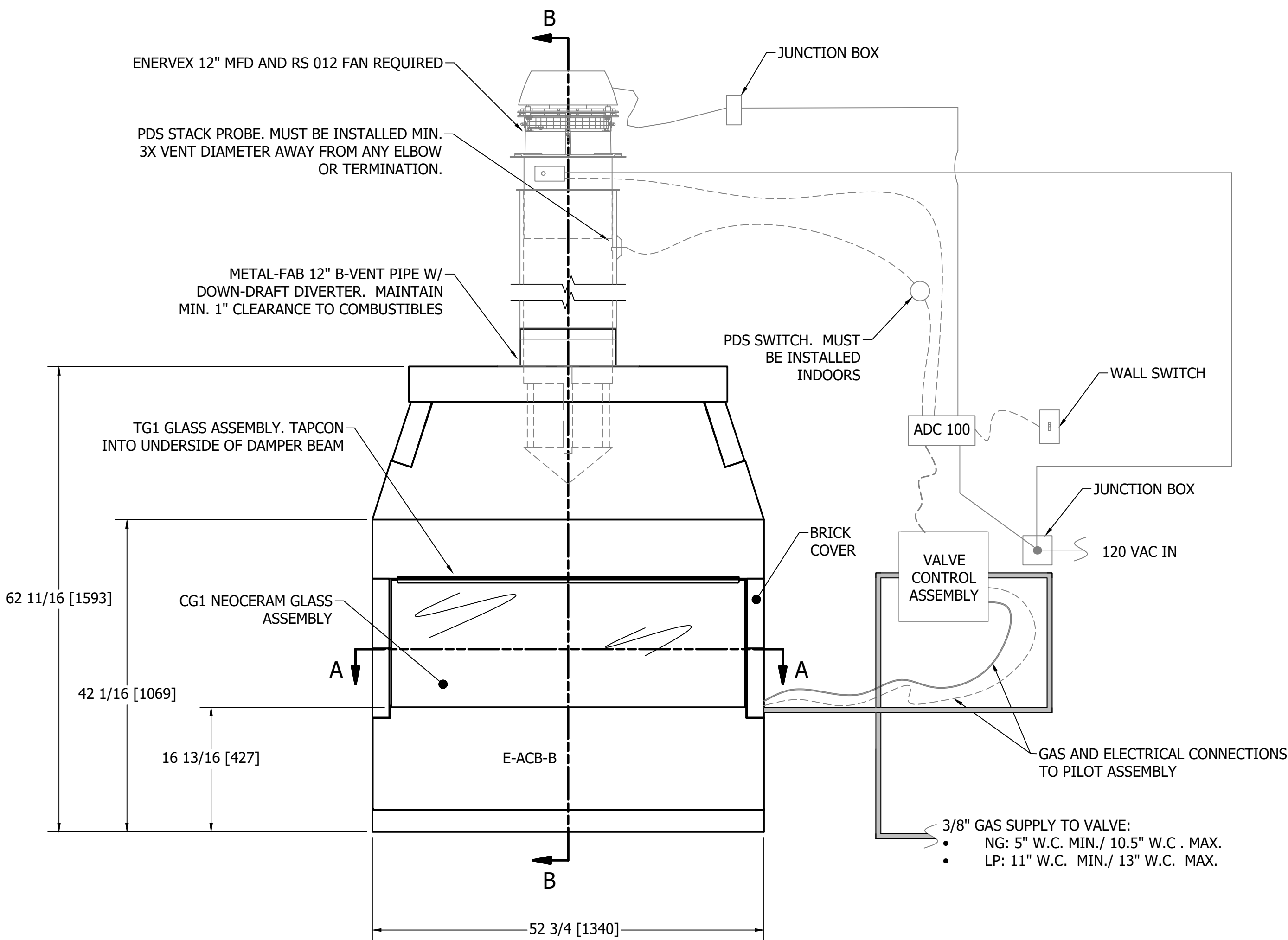


SECTION B-B

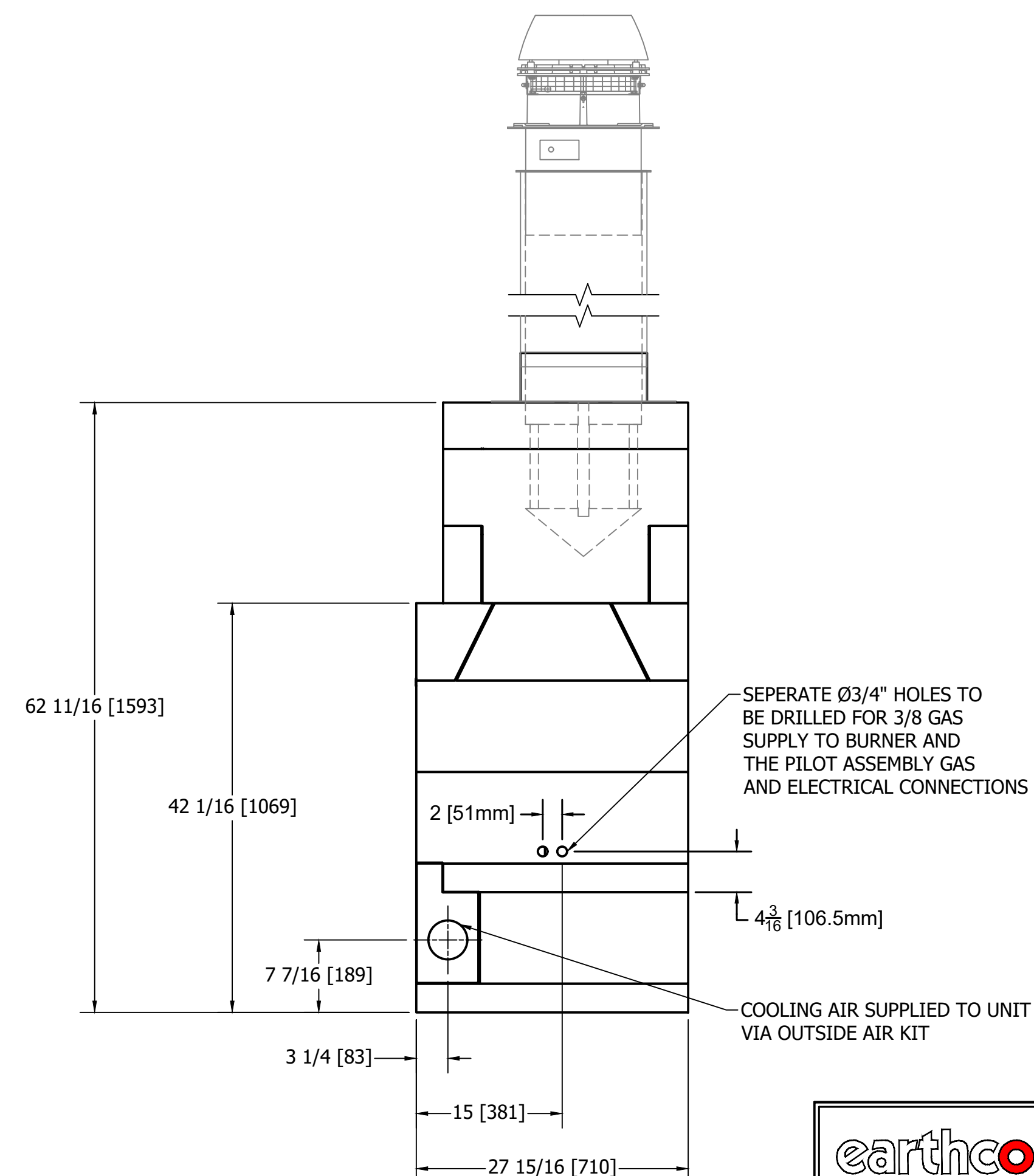
PARTS LIST		
PART NUMBER	DESCRIPTION	QTY
13	SMOKE DOME-46/48"	2
23	BASEPLATE-46"	1
34	SMOKE DOME SIDE	2
70	DAMPER BEAM-46/48"	2
80	TOP PLATE-46/48	1
M67	MAGNUM BACK WALL-48"	3
M90	MAGNUM SIDEWALL	4
M90B	GLASS FRONT KIT SIDEWALL	2
M93	MAGNUM BASE PLATE-48"	1
M94L	MAGNUM DAMPER BLOCK; LEFT	1
M94R	MAGNUM DAMPER BLOCK-RIGHT	1
E-ACB-B	AIR COLLECTOR BOX ASSEMBLY-B	1
E-TG1	TOP GLASS BRACKET ASSEMBLY-48"	1
CG1	NEOCERAM GLASS-GFK48"	1
12MDD	METAL- FAB 12" B-VENT DOWN DRAFT DIVERTER	1
ISF36LB	36" LINEAR BURNER ASSEMBLY	1
OAK12NG	4" COOLING AIR KIT	1
302.0100.1200	ADC 100 W/ PDS	1
216.0100.1212	ENERVEX 12" MFD FOR RS 012 FAN	1
101.0499.1200	ENERVEX RS012 FAN	1

GENERAL NOTES:

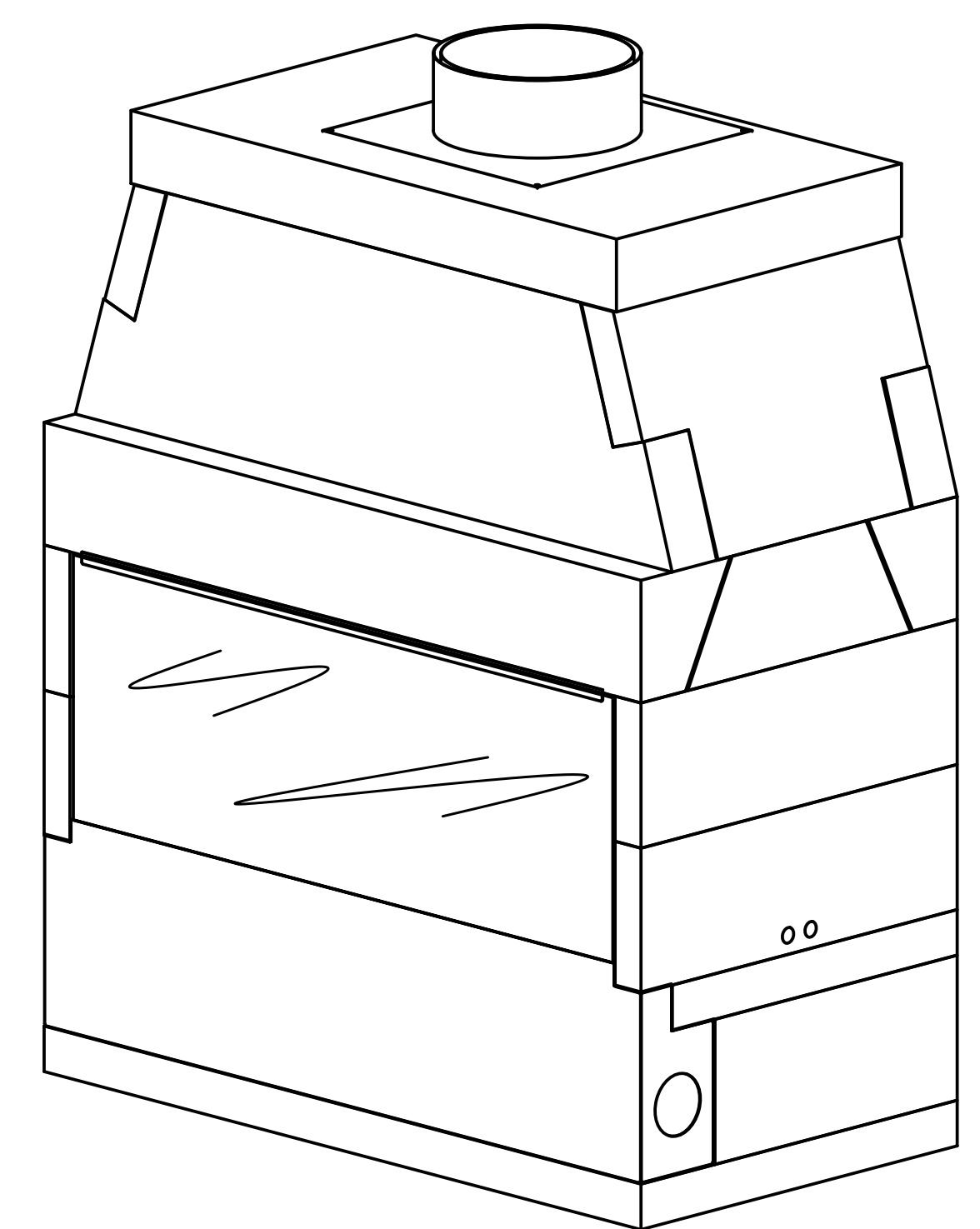
1. THE ISOKERN LINEAR FIREPLACE MODELS ARE TOP-VENTED, GAS ONLY FIREPLACES THAT ARE LISTED FOR USE ONLY WITH THE ISOKERN MODULAR BURNER SYSTEM AS SHOWN IN THESE DRAWINGS AND LISTED IN THE INSTALLATION MANUAL. THESE GAS APPLIANCES COME WITH A GAS CONTROL VALVE ASSEMBLY THAT INCLUDES AN AUTOMATIC DRAFT AND SAFETY SYSTEM.
2. THIS APPLIANCE IS ONLY FOR USE WITH THE TYPE OF GAS INDICATED ON THE RATING PLATE AND MAY BE INSTALLED IN THE AFTER-MARKET, PERMANENTLY LOCATED, MANUFACTURED HOME (USA ONLY) OR MOBILE HOME, WHERE NOT PROHIBITED BY LOCAL CODES. SEE OWNER'S MANUAL FOR DETAILS.
3. THE EXHAUST FLUE GASES ARE TO BE VENTED THROUGH THE TOP OF THE UNIT WITH 12" METAL-FAB UL LISTED B-VENT PIPING WITH DOWN-DRAFT DIVERTER. THIS TWELVE INCH (12") DIAMETER, DOUBLE WALL B-VENTING SYSTEM ARE NOT SUPPLIED BUT ARE REQUIRED FOR PROPER OPERATION OF ALL LINEAR FIREPLACE MODELS.
4. GLASS FRONT KIT ASSEMBLY SHALL BE INSTALLED AS DETAILED IN THE INSTRUCTION MANUAL.
5. NOT REPRESENTED ON THIS DRAWING, BUT MANDATORY FOR OPERATION IS A Ø4" COOLING AIR KIT. THIS SHALL ORIGINATE FROM OUTSIDE AIR AND IS UTILIZED TO PROVIDE COOLING AIR TO THE GLASS.
6. DRAWINGS ARE FOR DESIGN PURPOSES ONLY AND ARE THE SOLE PROPERTY OF EARTHORE INDUSTRIES. ANY REPRODUCTION OR UNAUTHORIZED USE IS STRICTLY PROHIBITED.
7. EARTHORE/ ISOKERN OR ANY DIVISION THEREOF SHALL NOT BE HELD LIABLE FOR ANY INCIDENTAL OR CONSEQUENTIAL DAMAGES OR EXPENSES ARISING OUT OF THE USE OF THE FIREPLACES OR CHIMNEY SYSTEMS.
8. ALWAYS CHECK LOCAL BUILDING CODES GOVERNING FIREPLACES AND FIREPLACE INSTALLATIONS.



FRONT VIEW



RIGHT-SIDE VIEW



ISOMETRIC VIEW (N.T.S)

	UNLESS OTHERWISE STATED, ALL DIMENSIONS ARE IN INCHES		PROJECT: 4' MAXIMUS LINEAR W/ GFK	
	ANG. A ±	THIRD ANGLE PROJECTION	DESCRIPTION: FIREPLACE CONSTRUCTION DOCUMENT	
	LIN. XX ±		MATERIAL: E.C. PUMICE MIXTURE	
	XXX ±		DRAWN: K.B.H. DATE: 5/20/2020	
APPROVED: _____		DATE: _____	SIZE: D	SCALE: 1"=1'-0"
DRAWING # 82L48-GFK		SHEET # 01		REV: _____