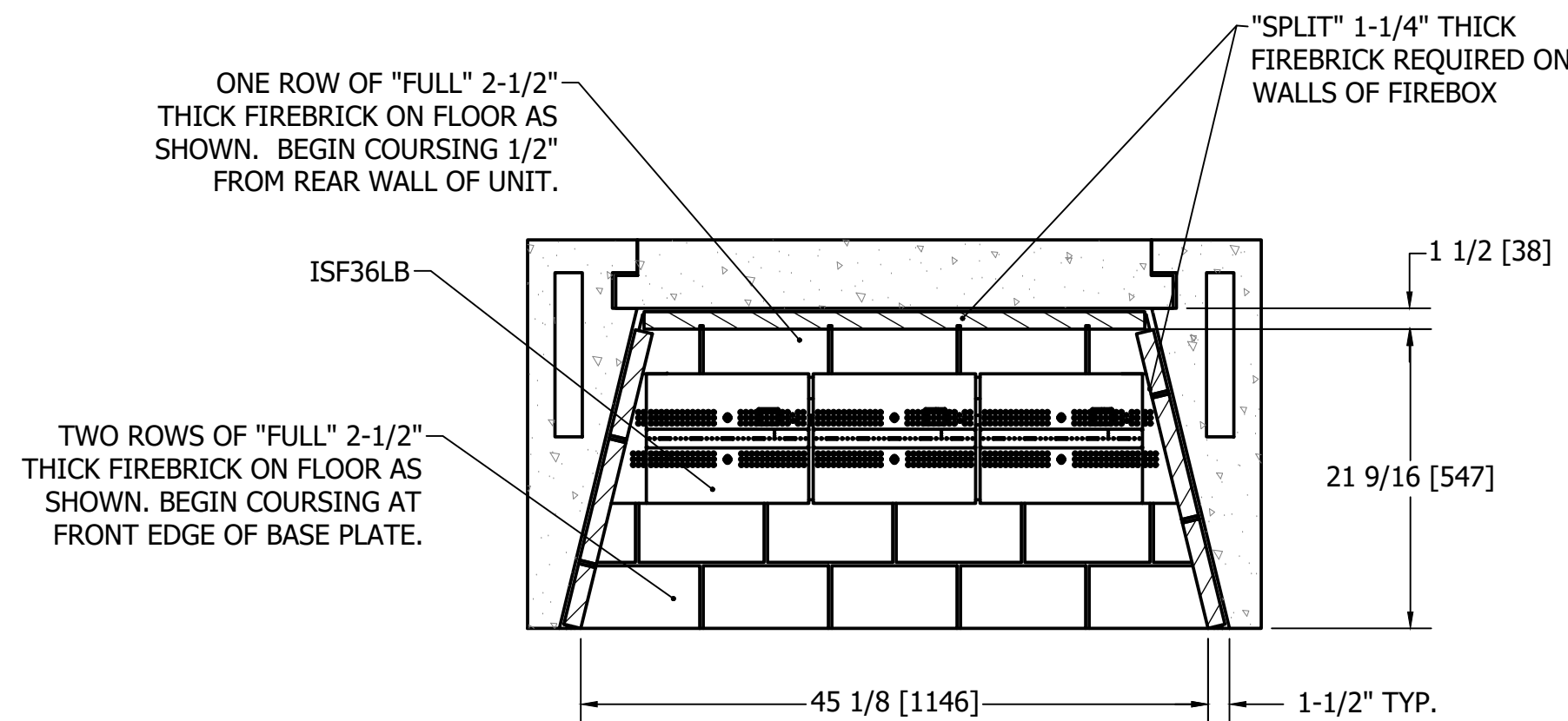


TOP VIEW

Ø345mm [13 9/16"] FLUE OUTLET.  
12" B-VENT PIPE W/ DOWN-DRAFT  
DIVERTER; ENERVEX 12" MFD,  
AND RS012 FAN REQUIRED.



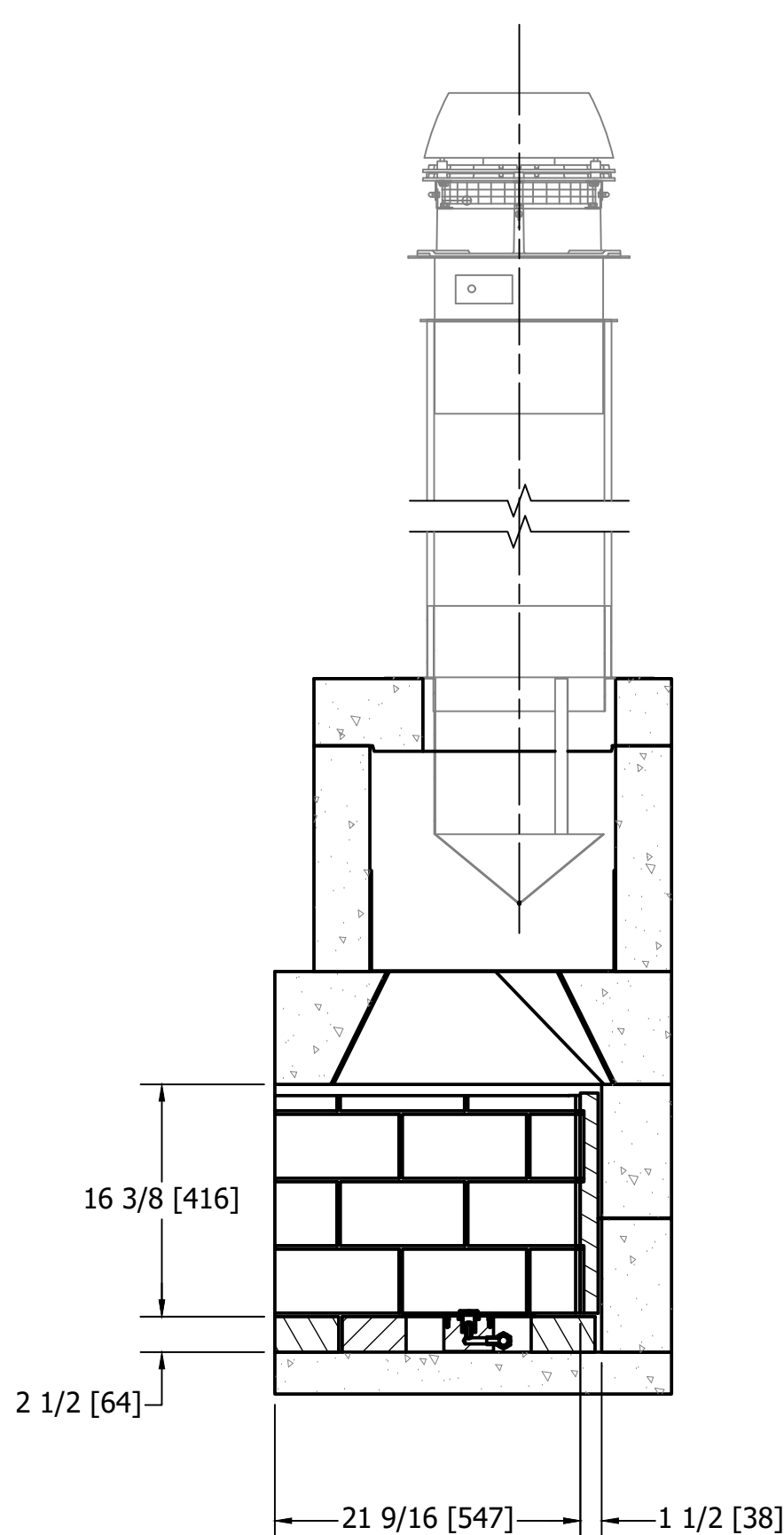
SECTION A-A

ONE ROW OF "FULL" 2-1/2"  
THICK FIREBRICK ON FLOOR AS  
SHOWN. BEGIN COURSING 1/2"  
FROM REAR WALL OF UNIT.

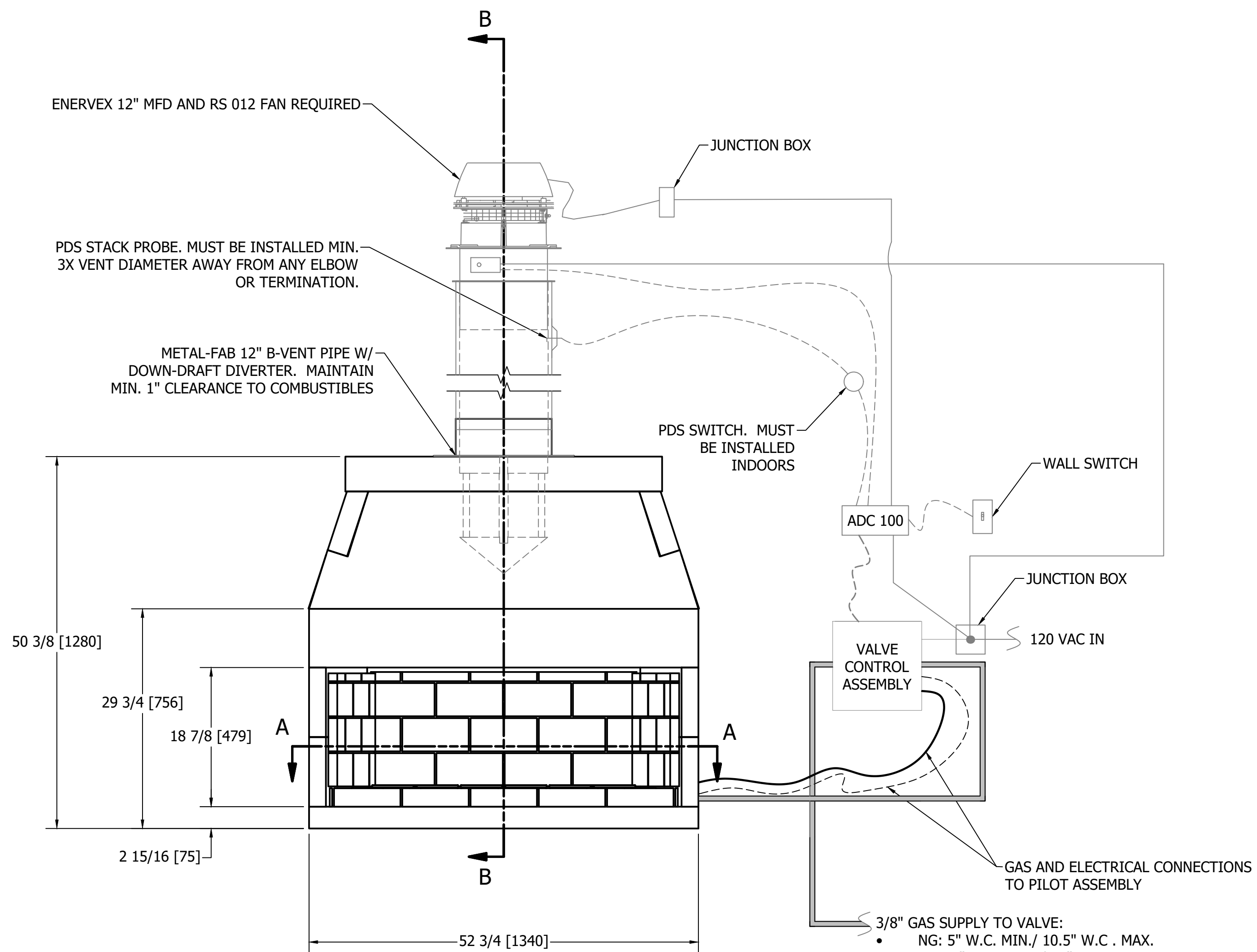
"SPLIT" 1-1/4" THICK  
FIREBRICK REQUIRED ON  
WALLS OF FIREBOX

ISF36LB

TWO ROWS OF "FULL" 2-1/2"  
THICK FIREBRICK ON FLOOR AS  
SHOWN. BEGIN COURSING AT  
FRONT EDGE OF BASE PLATE.

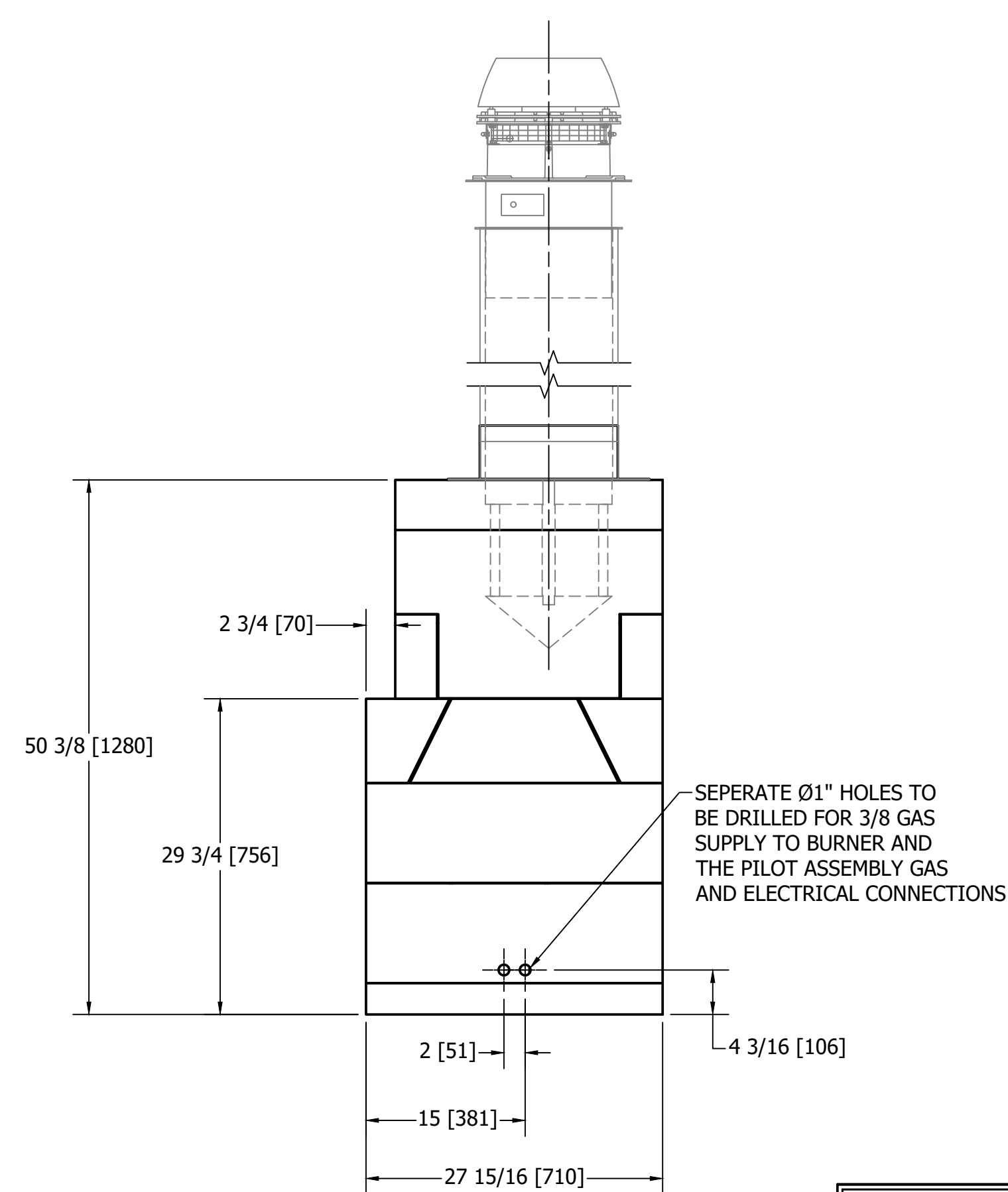


SECTION B-B



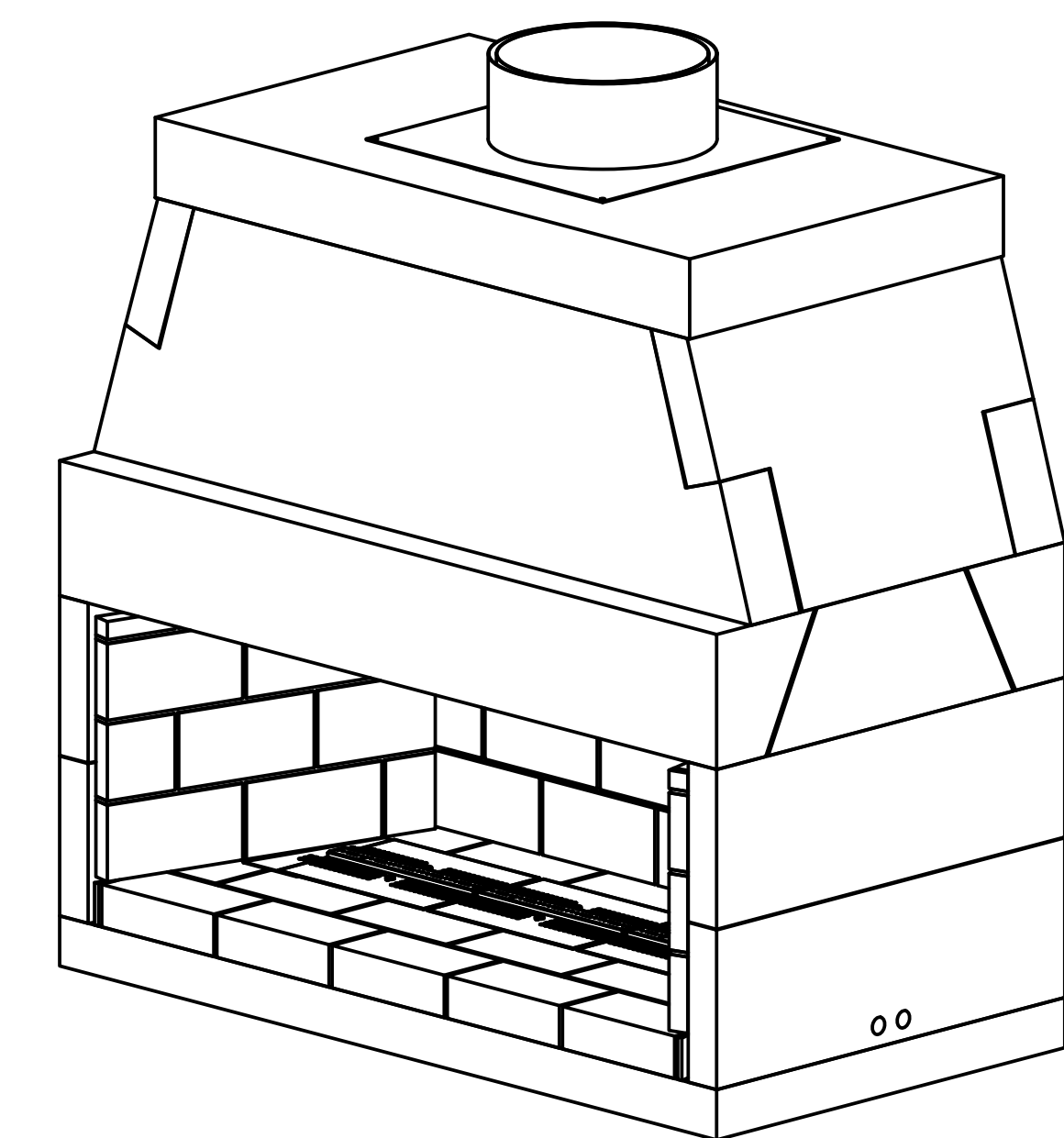
FRONT VIEW

3/8" GAS SUPPLY TO VALVE:  
• NG: 5" W.C. MIN./ 10.5" W.C. MAX.  
• LP: 11" W.C. MIN./ 13" W.C. MAX.



RIGHT-SIDE VIEW

SEPERATE Ø1" HOLES TO  
BE DRILLED FOR 3/8 GAS  
SUPPLY TO BURNER AND  
THE PILOT ASSEMBLY GAS  
AND ELECTRICAL CONNECTIONS



ISOMETRIC VIEW (N.T.S)

PARTS LIST		
PART NUMBER	DESCRIPTION	QTY
13	SMOKE DOME-46/48"	2
34	SMOKE DOME SIDE	2
70	DAMPER BEAM-46/48"	2
81	TOP PLATE-46/48"	1
M67	MAGNUM BACK WALL-48"	2
M90	MAGNUM SIDEWALL	4
M93	MAGNUM BASE PLATE-48"	1
M94L	MAGNUM DAMPER BLOCK; LEFT	1
M94R	MAGNUM DAMPER BLOCK-RIGHT	1
ISF36LB	36" LINEAR BURNER ASSEMBLY	1
E-ECS	BURNER END CAP-SMALL	2
12MDD	METAL- FAB 12" B-VENT DOWN DRAFT DIVERTER	1
OAK12NG	4" OUTSIDE AIR KIT (OPTIONAL)	1
302.0100.1200	ADC 100 W/ PDS	1
101.0499.1200	ENERVEX RS012 FAN	1
216.0100.1212	ENERVEX 12" MFD FOR RS 012 FAN	1

GENERAL NOTES:

1. THE ISOKERN LINEAR FIREPLACE MODELS ARE TOP-VENTED, GAS ONLY FIREPLACES THAT ARE LISTED FOR USE ONLY WITH THE ISOKERN MODULAR BURNER SYSTEM AS SHOWN IN THESE DRAWINGS AND LISTED IN THE INSTALLATION MANUAL. THESE GAS APPLIANCES COME WITH A GAS CONTROL VALVE ASSEMBLY THAT INCLUDES AN AUTOMATIC DRAFT AND SAFETY SYSTEM.
2. THIS APPLIANCE IS ONLY FOR USE WITH THE TYPE OF GAS INDICATED ON THE RATING PLATE AND MAY BE INSTALLED IN THE AFTER-MARKET, PERMANENTLY LOCATED, MANUFACTURED HOME (USA ONLY) OR MOBILE HOME, WHERE NOT PROHIBITED BY LOCAL CODES. SEE OWNER'S MANUAL FOR DETAILS.
3. THE EXHAUST FLUE GASES ARE TO BE VENTED THROUGH THE TOP OF THE UNIT WITH 12" METAL-FAB UL LISTED B-VENT PIPING WITH DOWN-DRAFT DIVERTER. THIS TWELVE INCH (12") DIAMETER, DOUBLE WALL B-VENTING SYSTEM ARE NOT SUPPLIED BUT ARE REQUIRED FOR PROPER OPERATION OF ALL LINEAR FIREPLACE MODELS.
4. NOT REPRESENTED ON THIS DRAWING, BUT RECOMMENDED FOR OPERATION IS A Ø4" OUTSIDE AIR KIT. THIS SHALL ORIGINATE FROM OUTSIDE AIR.
5. DRAWINGS ARE FOR DESIGN PURPOSES ONLY AND ARE THE SOLE PROPERTY OF EARTHCORE INDUSTRIES. ANY REPRODUCTION OR UNAUTHORIZED USE IS STRICTLY PROHIBITED.
6. EARTHCORE/ ISOKERN OR ANY DIVISION THEREOF SHALL NOT BE HELD LIABLE FOR ANY INCIDENTAL OR CONSEQUENTIAL DAMAGES OR EXPENSES ARISING OUT OF THE USE OF THE FIREPLACES OR CHIMNEY SYSTEMS.
7. ALWAYS CHECK LOCAL BUILDING CODES GOVERNING FIREPLACES AND FIREPLACE INSTALLATIONS.

	UNLESS OTHERWISE STATED, ALL DIMENSIONS ARE IN INCHES		PROJECT: 4' MAXIMUS LINEAR	
	ANG. A ±	THIRD ANGLE PROJECTION	DESCRIPTION: FIREPLACE CONSTRUCTION DOCUMENT	
LIN. XX ±		MATERIAL: E.C. PUMICE MIXTURE		
XXX ±		DRAWN: K.B.H.	DATE: 5/20/20	
		APPROVED:	DATE:	
		SIZE: D	SCALE: 1"=1'-0"	
			DRAWING #: 82L48	
			REV: B	