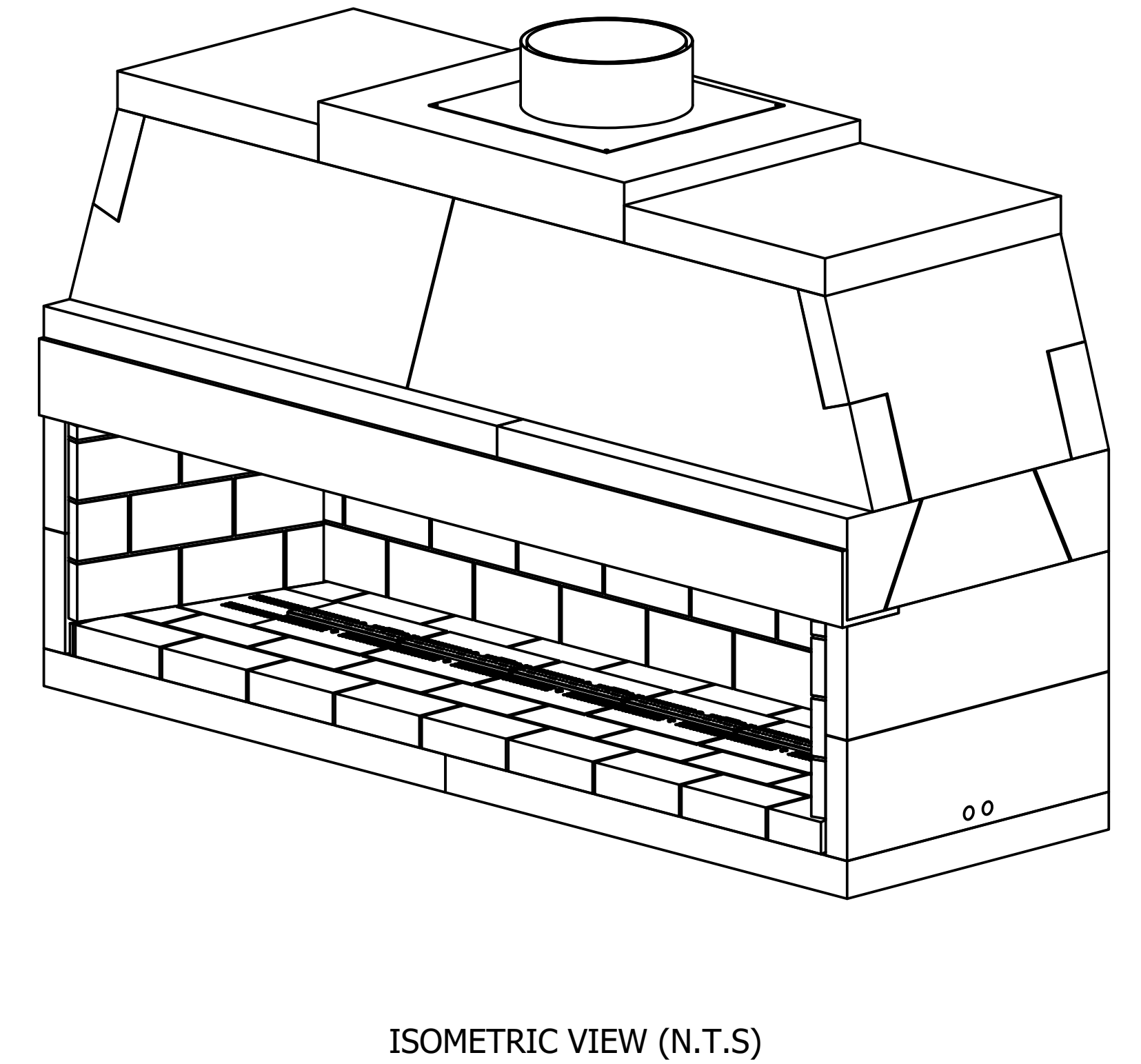
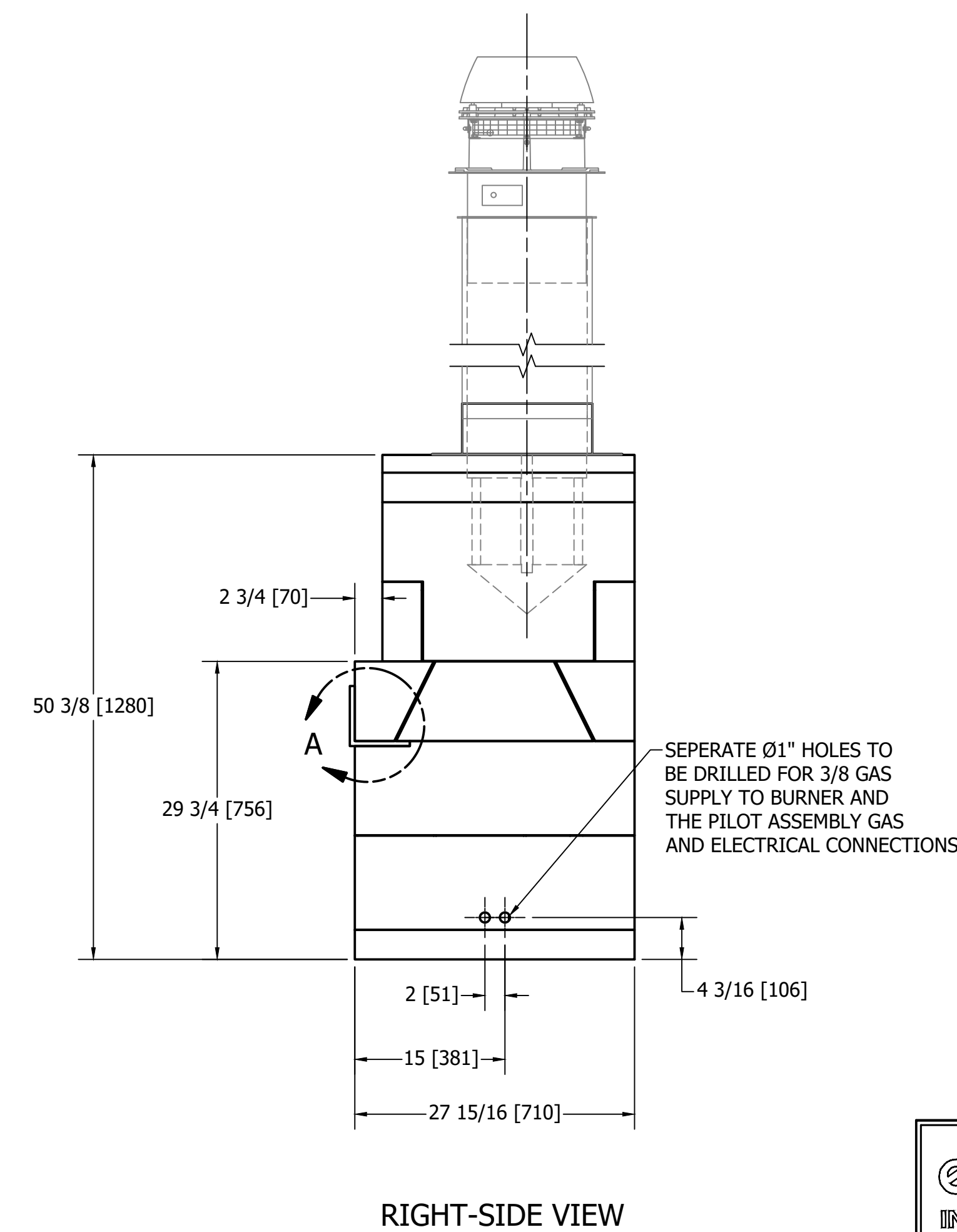
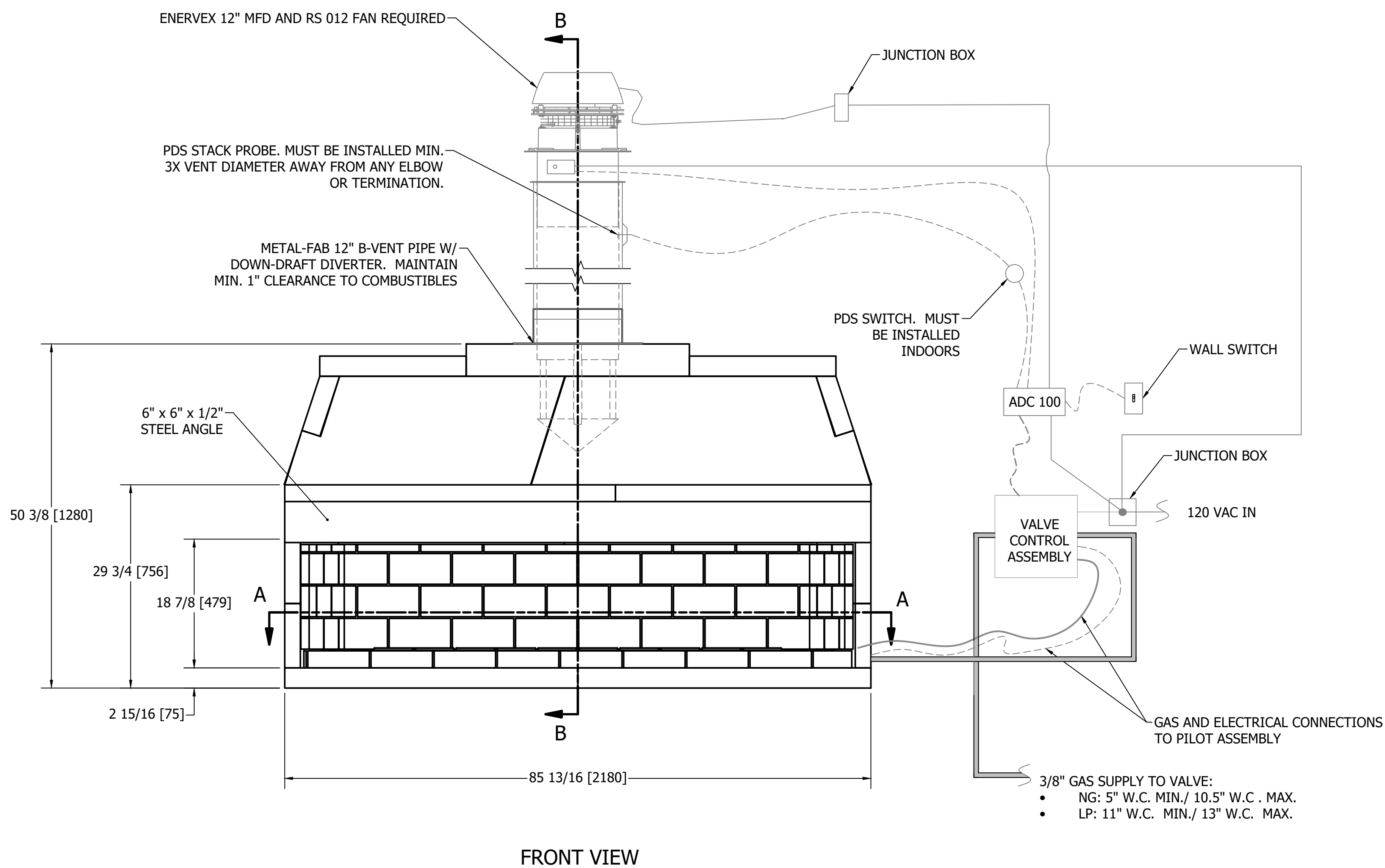


PARTS LIST		
PART NUMBER	DESCRIPTION	QTY
16	SMOKE DOME-60/72"	2
18	SMOKE DOME-72"	2
34	SMOKE DOME SIDE	2
69	DAMPER BEAM-42"	2
72	BACKWALL 60/72"	2
73	BACKWALL-72"	2
77	TOP PLATE-36/42"	1
83	DAMPER BEAM-72"	2
121	TOP PLATE-82L72	2
M90	MAGNUM SIDEWALL	4
M91	MAGNUM BASE PLATE-36"	2
M94L	MAGNUM DAMPER BLOCK; LEFT	1
M94R	MAGNUM DAMPER BLOCK-RIGHT	1
ISF60LB	60" LINEAR BURNER ASSEMBLY	1
12MDD	METAL- FAB 12" B-VENT DOWN DRAFT DIVERTER	1
OAK12NG	4" OUTSIDE AIR KIT (OPTIONAL)	2
302.0100.1200	ADC 100 W/ PDS	1
101.0499.1200	ENERVEX RS012 FAN	1
216.0100.1212	ENERVEX 12" MFD FOR RS 012 FAN	1
N/A	6"x6"x1/2" STEEL ANGLE (NOT PROVIDED BY EARTHCORE, MUST SOURCE LOCALLY)	1

GENERAL NOTES:

1. THE ISOKERN LINEAR FIREPLACE MODELS ARE TOP-VENTED, GAS ONLY FIREPLACES THAT ARE LISTED FOR USE ONLY WITH THE ISOKERN MODULAR BURNER SYSTEM AS SHOWN IN THESE DRAWINGS AND LISTED IN THE INSTALLATION MANUAL. THESE GAS APPLIANCES COME WITH A GAS CONTROL VALVE ASSEMBLY THAT INCLUDES AN AUTOMATIC DRAFT AND SAFETY SYSTEM.
2. THIS APPLIANCE IS ONLY FOR USE WITH THE TYPE OF GAS INDICATED ON THE RATING PLATE AND MAY BE INSTALLED IN THE AFTER-MARKET, PERMANENTLY LOCATED, MANUFACTURED HOME (USA ONLY) OR MOBILE HOME, WHERE NOT PROHIBITED BY LOCAL CODES. SEE OWNER'S MANUAL FOR DETAILS.
3. THE EXHAUST FLUE GASES ARE TO BE VENTED THROUGH THE TOP OF THE UNIT WITH 12" METAL-FAB UL LISTED B-VENT PIPING WITH DOWN-DRAFT DIVERTER. THIS TWELVE INCH (12") DIAMETER, DOUBLE WALL B-VENTING SYSTEM ARE NOT SUPPLIED BUT ARE REQUIRED FOR PROPER OPERATION OF ALL LINEAR FIREPLACE MODELS.
4. NOT REPRESENTED ON THIS DRAWING, BUT RECOMMENDED FOR OPERATION ARE (2X) Ø4" OUTSIDE AIR KITS. THESE SHALL ORIGINATE FROM OUTSIDE AIR.
5. DRAWINGS ARE FOR DESIGN PURPOSES ONLY AND ARE THE SOLE PROPERTY OF EARTHCORE INDUSTRIES. ANY REPRODUCTION OR UNAUTHORIZED USE IS STRICTLY PROHIBITED.
6. EARTHCORE/ ISOKERN OR ANY DIVISION THEREOF SHALL NOT BE HELD LIABLE FOR ANY INCIDENTAL OR CONSEQUENTIAL DAMAGES OR EXPENSES ARISING OUT OF THE USE OF THE FIREPLACES OR CHIMNEY SYSTEMS.
7. ALWAYS CHECK LOCAL BUILDING CODES GOVERNING FIREPLACES AND FIREPLACE INSTALLATIONS.



	UNLESS OTHERWISE STATED, ALL DIMENSIONS ARE IN INCHES		PROJECT: 6' MAXIMUS LINEAR	
	ANG. A ±	THIRD ANGLE PROJECTION	DESCRIPTION: FIREPLACE CONSTRUCTION DOCUMENT	
LIN. XX ±		MATERIAL: E.C. PUMICE MIXTURE	DATE: 5/20/20	SIZE: 1"=1'-0"
XXX ±		DRAWN: K.B.H.	DATE: 5/20/20	DRAWING #: 82L72
		APPROVED:	DATE:	REV: B
				DO NOT SCALE SHEET # OF