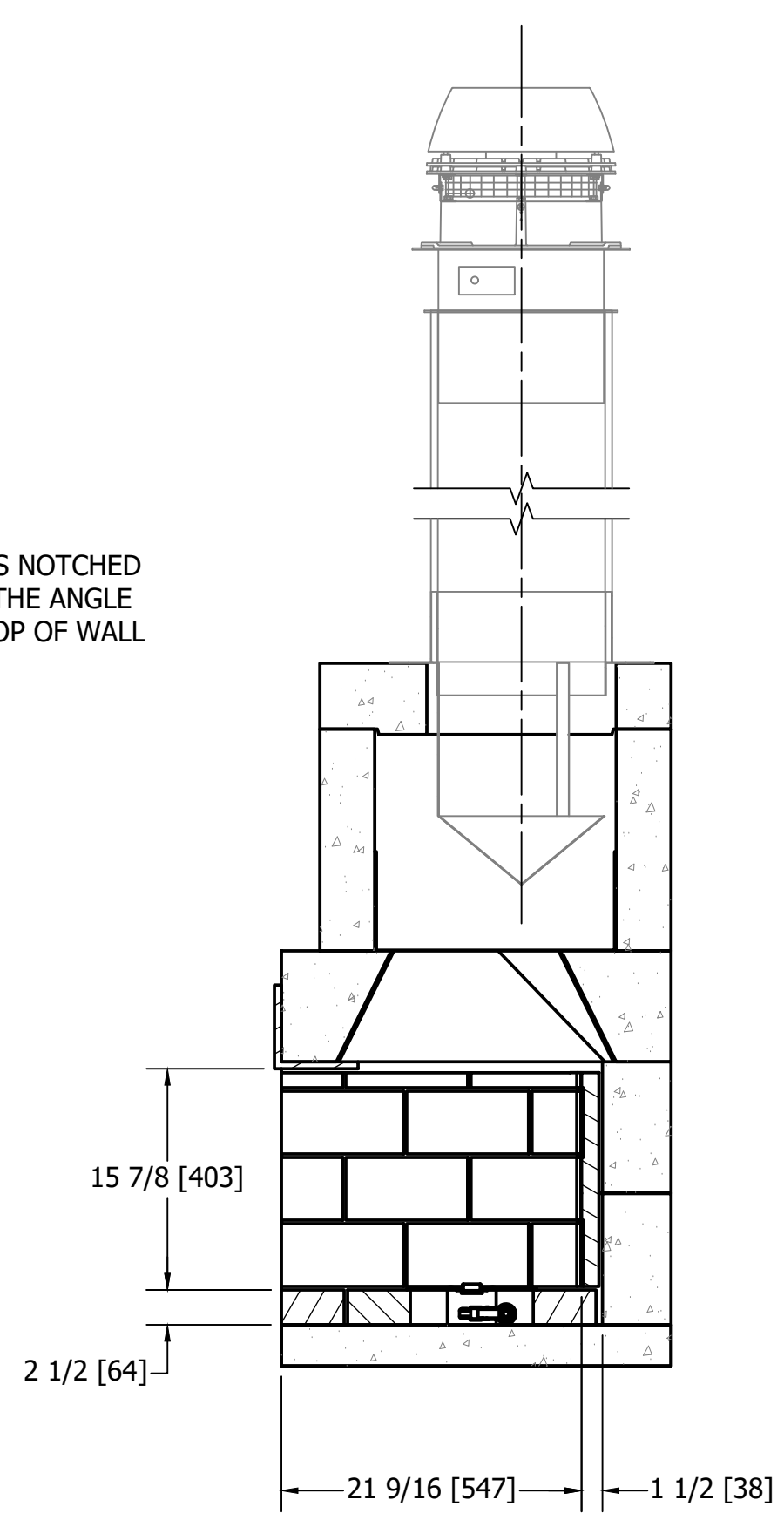
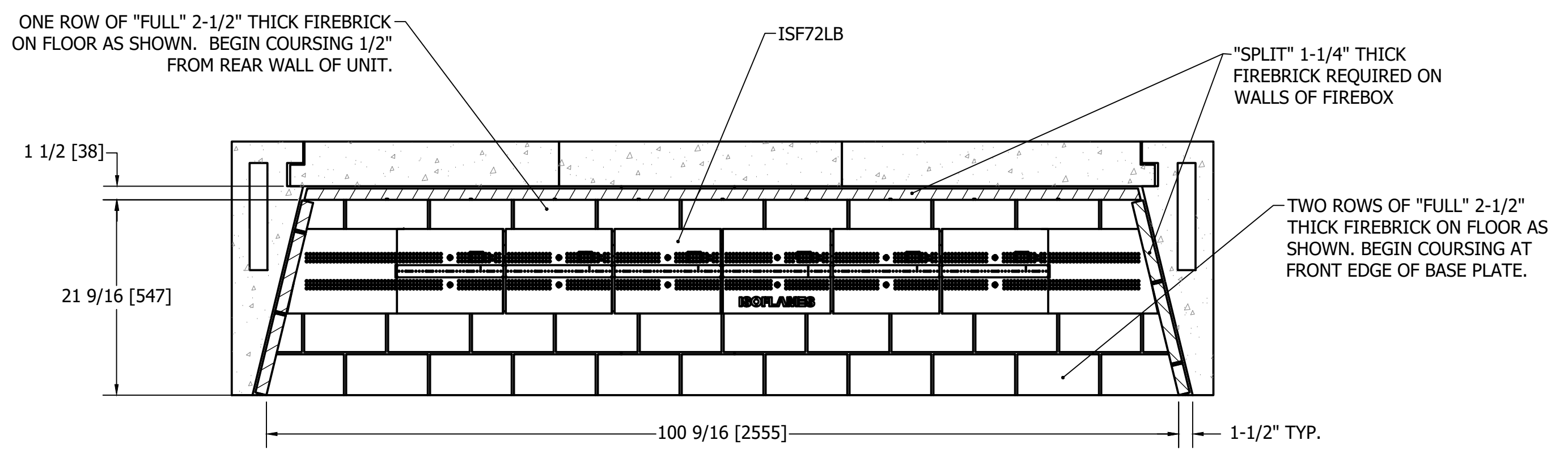


DETAIL A
DAMPER SUPPORT ANGLE
SCALE: N.T.S



SECTION B-B

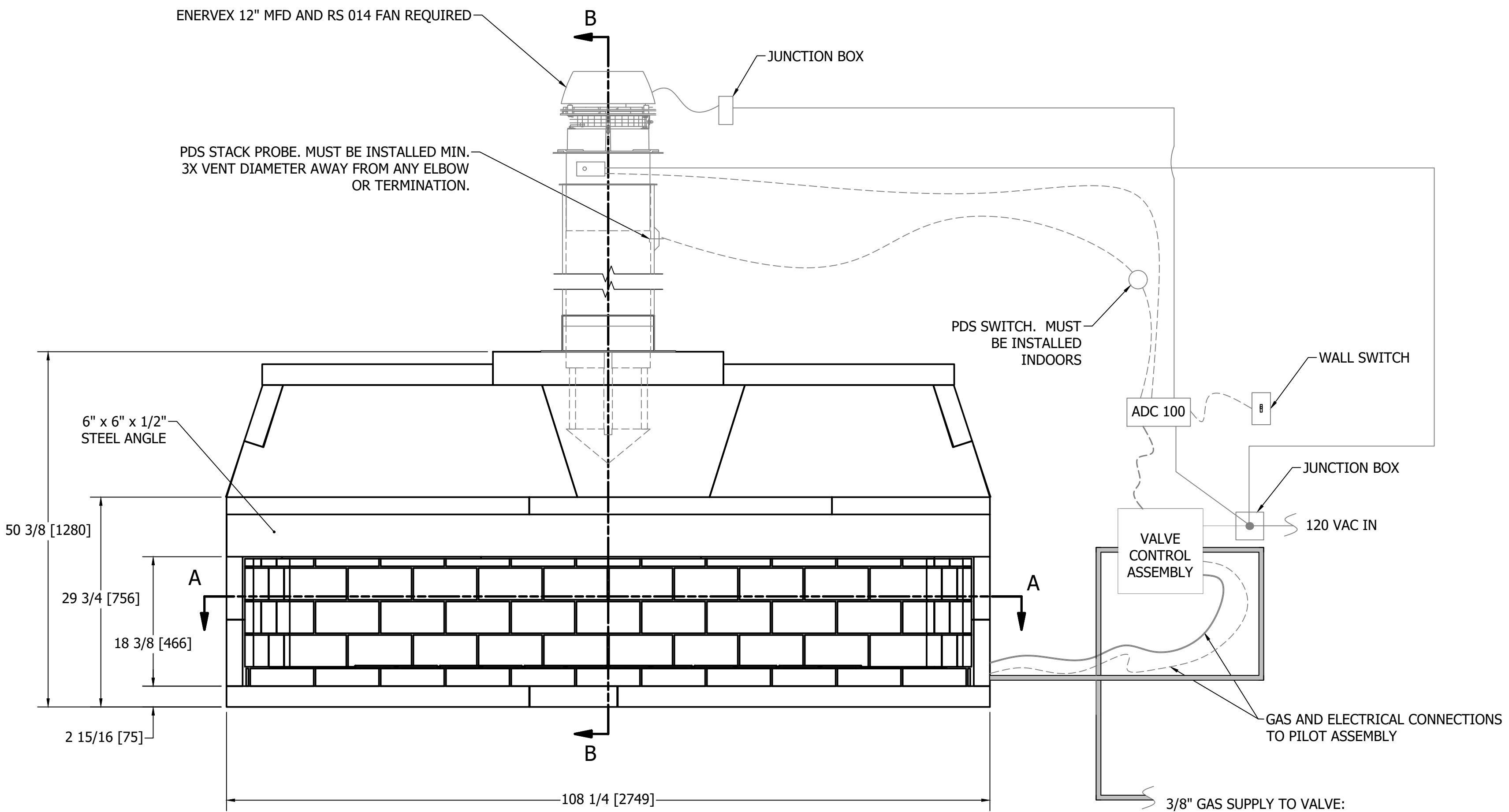


SECTION A-A

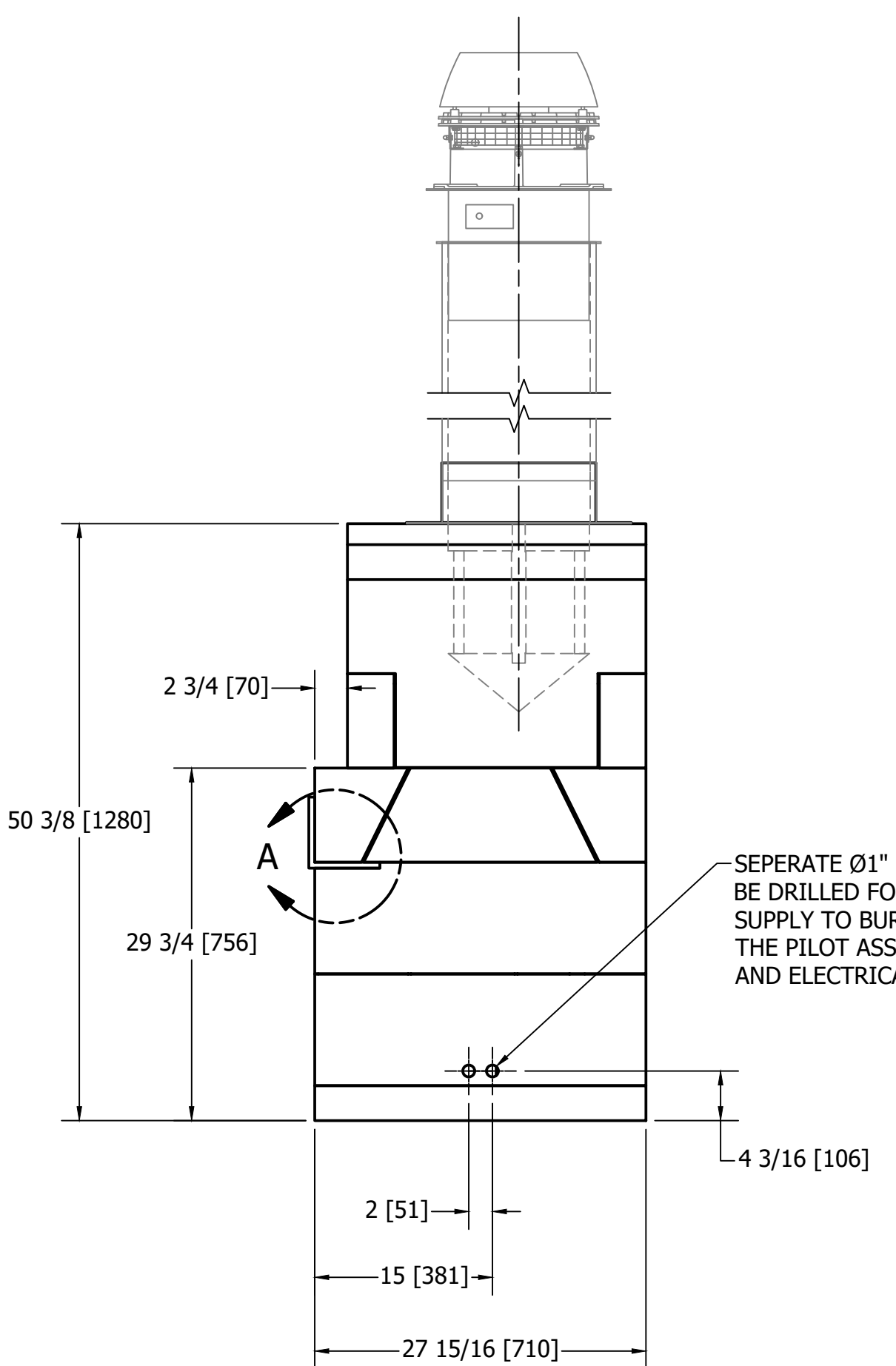
PARTS LIST		
PART NUMBER	DESCRIPTION	QTY
17	SMOKE DOME-60"	2
16	SMOKE DOME-60/72"	2
34	SMOKE DOME SIDE	2
68	DAMPER BEAM-36"	4
73	BACKWALL-72"	2
77	TOP PLATE-36/42"	1
113	SMOKE DOME-96"	2
122	TOP PLATE-82L96	2
160	BACK WALL-84/96"	2
162	BACK WALL-84/96/120"	2
167	DAMPER BEAM-96"	2
191	BASE PLATE-84/108"	1
M91	MAGNUM BASE PLATE-36"	1
M93	MAGNUM BASE PLATE-48"	1
M90	MAGNUM SIDEWALL	4
M94L	MAGNUM DAMPER BLOCK; LEFT	1
M94R	MAGNUM DAMPER BLOCK-RIGHT	1
ISF72LB	72" LINEAR BURNER ASSEMBLY	1
12MDD	METAL- FAB 12" B-VENT DOWN DRAFT DIVERTER	1
OAK12NG	4" OUTSIDE AIR KIT (OPTIONAL)	2
302.0100.1200	ADC 100 W/ PDS	1
101.0499.1200	ENERVEX RS014 FAN	1
216.0200.1212	ENERVEX 12" MFD FOR RS 014 FAN	1
N/A	6"x6"x1/2" STEEL ANGLE (NOT PROVIDED BY EARTHCORE, MUST SOURCE LOCALLY)	1

GENERAL NOTES:

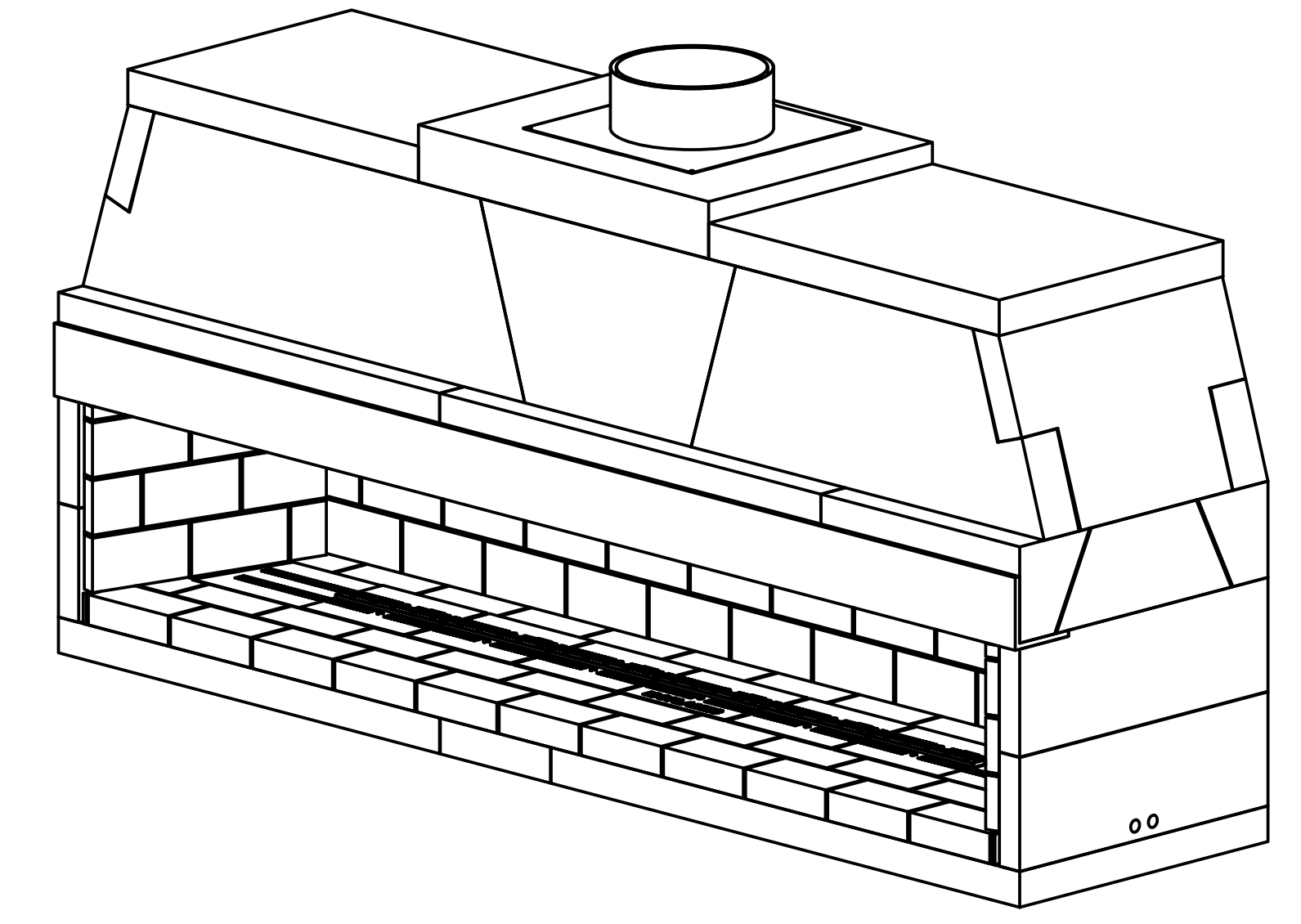
1. THE ISOKERN LINEAR FIREPLACE MODELS ARE TOP-VENTED, GAS ONLY FIREPLACES THAT ARE LISTED FOR USE ONLY WITH THE ISOKERN MODULAR BURNER SYSTEM AS SHOWN IN THESE DRAWINGS AND LISTED IN THE INSTALLATION MANUAL. THESE GAS APPLIANCES COME WITH A GAS CONTROL VALVE ASSEMBLY THAT INCLUDES AN AUTOMATIC DRAFT AND SAFETY SYSTEM.
2. THIS APPLIANCE IS ONLY FOR USE WITH THE TYPE OF GAS INDICATED ON THE RATING PLATE AND MAY BE INSTALLED IN THE AFTER-MARKET, PERMANENTLY LOCATED, MANUFACTURED HOME (USA ONLY) OR MOBILE HOME, WHERE NOT PROHIBITED BY LOCAL CODES. SEE OWNER'S MANUAL FOR DETAILS.
3. THE EXHAUST FLUE GASES ARE TO BE VENTED THROUGH THE TOP OF THE UNIT WITH 12" METAL-FAB UL LISTED B-VENT PIPING WITH DOWN-DRAFT DIVERTER. THIS TWELVE INCH (12") DIAMETER, DOUBLE WALL B-VENTING SYSTEM ARE NOT SUPPLIED BUT ARE REQUIRED FOR PROPER OPERATION OF ALL LINEAR FIREPLACE MODELS.
4. NOT REPRESENTED ON THIS DRAWING, BUT RECOMMENDED FOR OPERATION ARE (2X) Ø4" OUTSIDE AIR KITS. THESE SHALL ORIGINATE FROM OUTSIDE AIR.
5. DRAWINGS ARE FOR DESIGN PURPOSES ONLY AND ARE THE SOLE PROPERTY OF EARTHCORE INDUSTRIES. ANY REPRODUCTION OR UNAUTHORIZED USE IS STRICTLY PROHIBITED.
6. EARTHCORE/ ISOKERN OR ANY DIVISION THEREOF SHALL NOT BE HELD LIABLE FOR ANY INCIDENTAL OR CONSEQUENTIAL DAMAGES OR EXPENSES ARISING OUT OF THE USE OF THE FIREPLACES OR CHIMNEY SYSTEMS.
7. ALWAYS CHECK LOCAL BUILDING CODES GOVERNING FIREPLACES AND FIREPLACE INSTALLATIONS.



FRONT VIEW



RIGHT-SIDE VIEW



ISOMETRIC VIEW (N.T.S)

- 3/8" GAS SUPPLY TO VALVE:
 - NG: 5" W.C. MIN./ 10.5" W.C. MAX.
 - LP: 11" W.C. MIN./ 13" W.C. MAX.

	UNLESS OTHERWISE STATED, ALL DIMENSIONS ARE IN INCHES		PROJECT: 8' MAXIMUS LINEAR	
	DESCRIPTION: FIREPLACE CONSTRUCTION DOCUMENT	MATERIAL: E.C. PUMICE MIXTURE	DATE: 5/20/20	SCALE: 1"=1'-0"
DRAWN: K.B.H.	DATE: 5/20/20	APPROVED: [Signature]	SIZE: D	DRAWING #: 82L96
DO NOT SCALE			SHEET #	OF