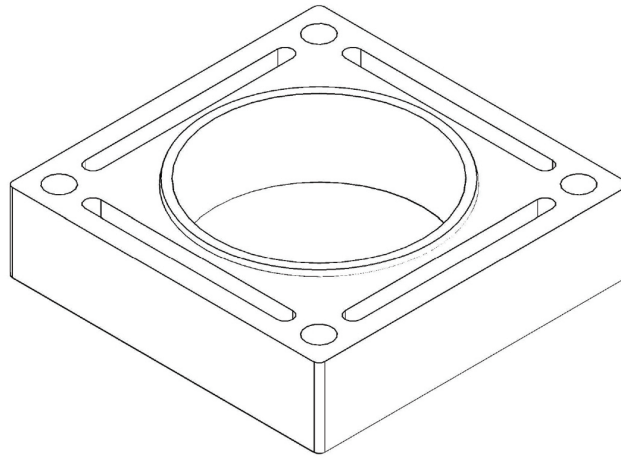
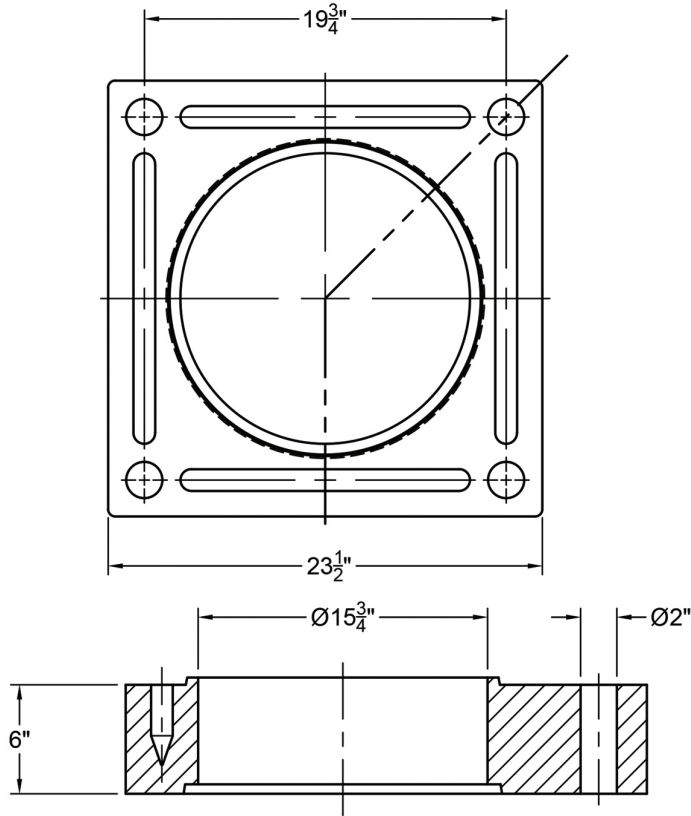


EM 40 Chimney Flue



ISOMETRIC VIEW
SCALE: N.T.S

 6899 Phillips Industrial Blvd. Jacksonville, FL 32256	UNLESS OTHERWISE STATED, ALL DIMENSIONS ARE IN MILLIMETERS		PROJECT: EM40 MONOFLUE-OUTDOOR					
	UNSPECIFIED TOLERANCES		THIRD ANGLE PROJECTION	DESCRIPTION: COMPONENT DRAWING		VOLUME:	AREA:	
	ANG.	.X ±.XX		MATERIAL: E.C. PUMICE MIXTURE				
	LIN.	.X ±3 mm		DRAWN: KBH	DATE: 3/9/2018	SIZE: A	SCALE: 1-1/2"=1'-0"	DRAWING #: S406000
	.X ±.XX	APPROVED: SOE		DATE:				
	.XX ±.XXX					DO NOT SCALE	SHEET # 1 OF 1	