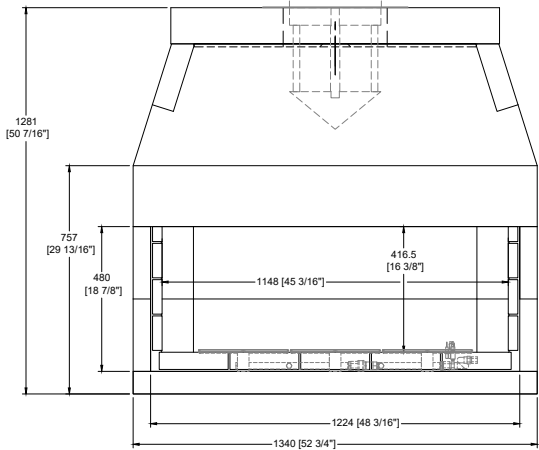
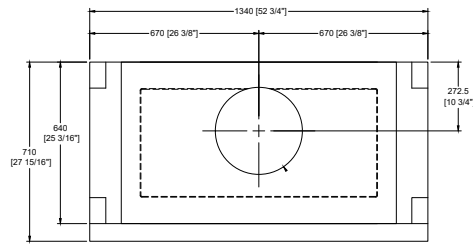


Project Name: _____ **Location:** _____

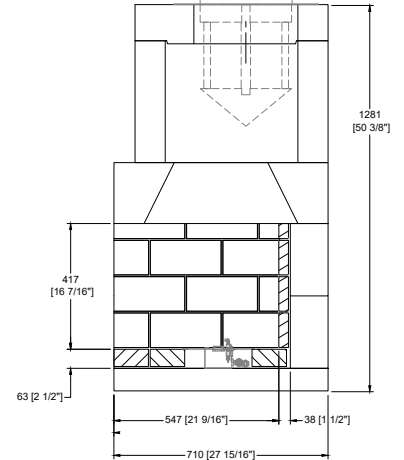
Uses one 12" B-Vent Chimney with mechanical exhaust fan. Refer to product manual for approved Metal Chimney manufacturers.



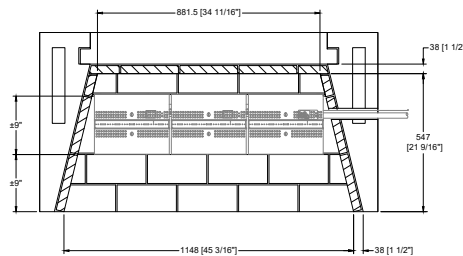
Front View



Top View

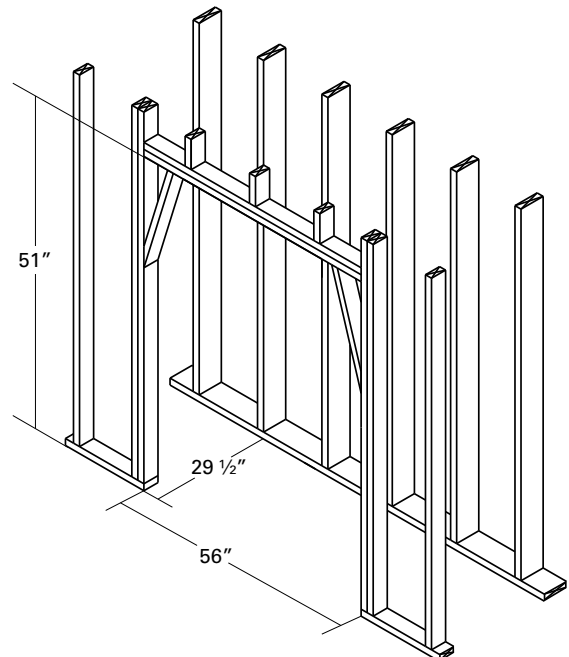


Side View



Plan View

MINIMUM FRAMING DIMENSIONS



Framing dimensions maintain 1 1/2" clearance to combustibles. Refer to product manual for further installation instructions.

FIREPLACE OPTIONS

- Hearth Height: _____
- Brick Type: _____
- Brick Color: _____
- Brick Pattern: _____
- Other Options: _____
- Gas Log Set: _____

Notes: _____

The total weight for the Maximus+ 48" linear fireplace is approximately 1,275 lbs. This dry weight includes fireplace pumice components only, additional weight from mortar, mechanical exhaust fan, glass media, firebrick and chimney not included.