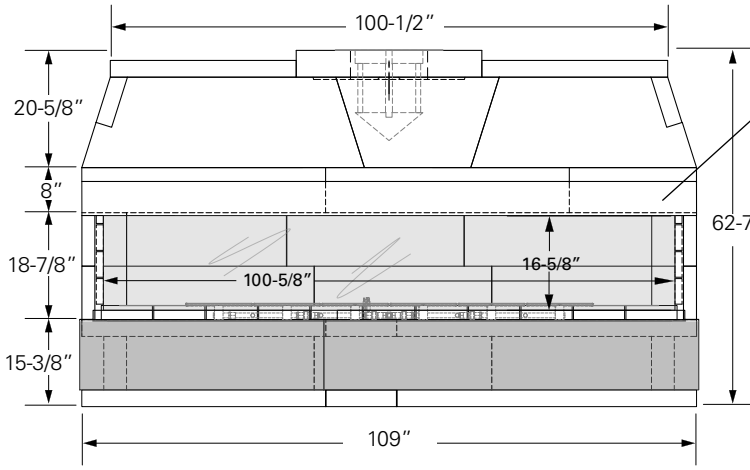
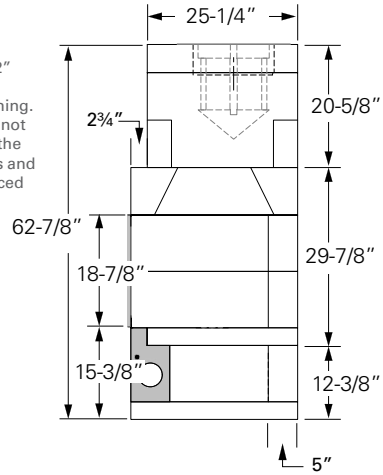


Project Name: _____ **Location:** _____



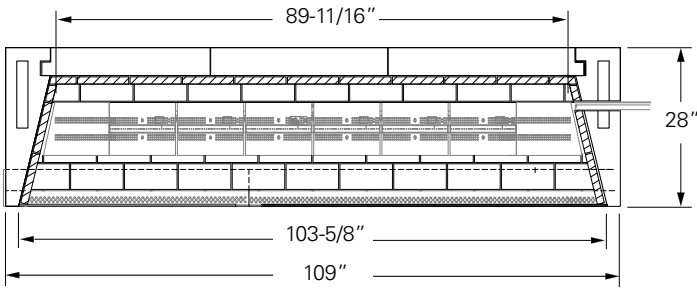
Front View

Steel angle:
6" x 6" x 1/2"
cut to span
firebox opening.
This item is not
included in the
components and
can be sourced
locally.

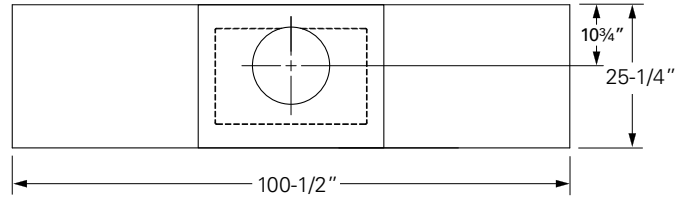


Side View

Uses one 12" B-Vent Chimney
with mechanical exhaust fan. Refer
to product manual for approved
Metal Chimney manufacturers.

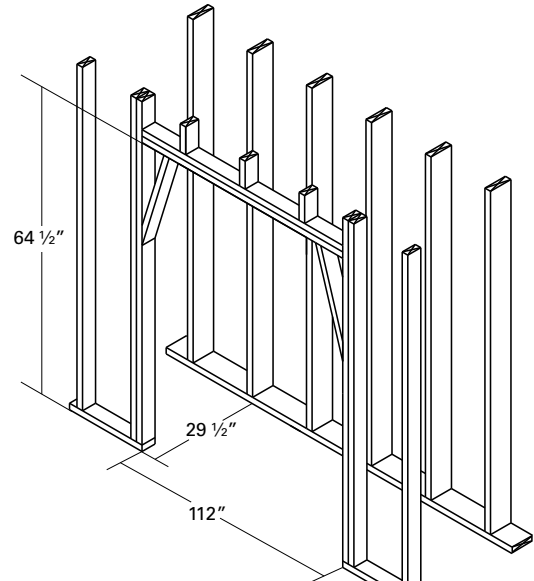


Plan View



Top View

MINIMUM FRAMING DIMENSIONS



Framing dimensions
maintain 1 1/2"
clearance to
combustibles.
Refer to product
manual for further
installation
instructions.

FIREPLACE OPTIONS

- Hearth Height: _____
- Brick Type: _____
- Brick Color: _____
- Brick Pattern: _____
- Other Options: _____
- Gas Log Set: _____

Notes: _____

The total weight for the Maximus+ 96" linear fireplace with glass front is approximately 3,132 lbs. This dry weight includes fireplace pumice components only, additional weight from mortar, mechanical exhaust fan, glass media, firebrick and chimney not included.