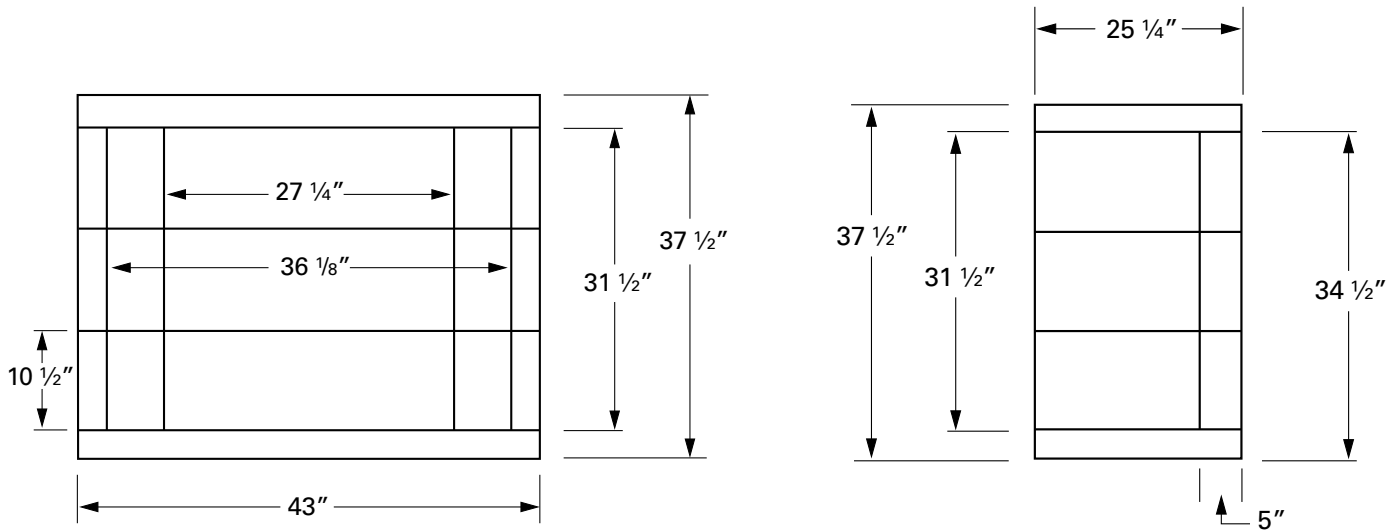


Isokern Vent-Free 36" Fireplace



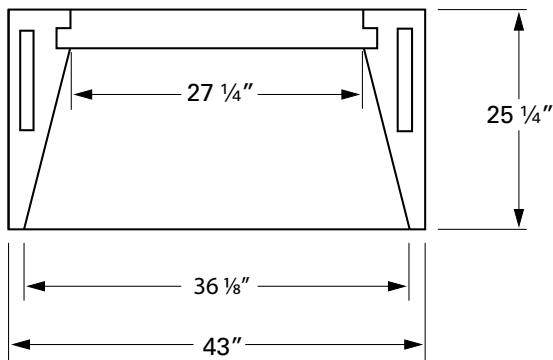
6899 Phillips Industrial Blvd. • Jacksonville, FL 32256

Project Name: _____ Location: _____



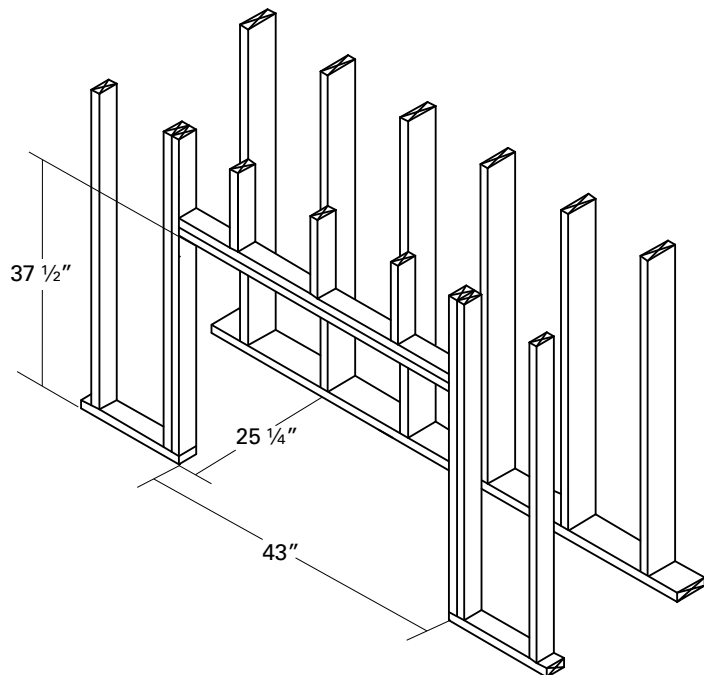
Front View

Side View



Plan View

MINIMUM FRAMING DIMENSIONS



FIREPLACE OPTIONS

Hearth Height: _____

Brick Type: _____

Brick Color: _____

Brick Pattern: _____

Vent Free Log Set: _____

Notes: _____

The total weight for the Vent-Free 36" fireplace is approximately 715 lbs. This dry weight includes fireplace pumice components only, additional weight from mortar and firebrick not included.