

ISOFLAMES® Outdoor Table Burner

Installation, Operation, Maintenance and Owner's Manual

Isoflames Outdoor Table Burner Match Lit Models:

ISF18STB – ISF48LTB

A PRODUCT OF EARTHCORE® INDUSTRIES, LLC

Important: This manual contains assembly rules, installation steps, guidelines, use and maintenance instructions for the Isoflames Outdoor Table Burner Series. This manual must become the property of and be reviewed by all current and future users of this product. It is the responsibility of the installer of this product to ensure that the instructions in this manual are followed exactly and be installed in strict accordance with the following sizing, installation, and operation instructions. It is the responsibility of the installer to provide adequate clearances from all surfaces of appliance as specified in this manual.

INSTALLER: Leave this manual with the appliance
CONSUMER: Retain this manual for future reference

Be Sure to Read Entire Manual Before Beginning Construction.

Contents of this manual may change without prior notification.

DANGER **FIRE OR EXPLOSION HAZARD**

If you smell gas:

- Shut off gas to the appliance.
- Extinguish any open flame.
- If odor continues, leave the area immediately.
- After leaving the area, call your gas supplier or fire department.

Failure to follow these instructions could result in fire or explosion, which could cause property damage, personal injury, or death.

The Isoflames Outdoor Table Burner is for **OUTDOOR USE ONLY** and **MUST NOT** be used for cooking. The installation must conform with the National Fuel Gas Code, ANSI Z223.1/NFPA 54, or the CSA B149.1 Natural Gas and Propane Installation Code, and applicable local building codes. Warning: Solid fuels shall not be burned where a decorative appliance is installed.

WARNING

Do not store or use gasoline, or other flammable vapors and liquids, in the vicinity of this or any other appliance.

An LP-cylinder not connected for use shall not be stored in the vicinity of this or any other appliance.

DANGER



CARBON MONOXIDE HAZARD


This appliance can produce carbon monoxide which has no odor.

Using it in an enclosed space can kill you.

Never use this appliance in an enclosed space such as a camper, tent, car or home.

WARNING: For Outdoor Use Only.

Installation and service must be performed by a qualified installer, service agency, or the gas supplier.

 **WARNING: If the information in this manual is not followed exactly, a fire or explosion may result causing property damage, personal injury, or loss of life.**

Issued: March 2021

Revision: 000

©2021 Earthcore Industries, LLC

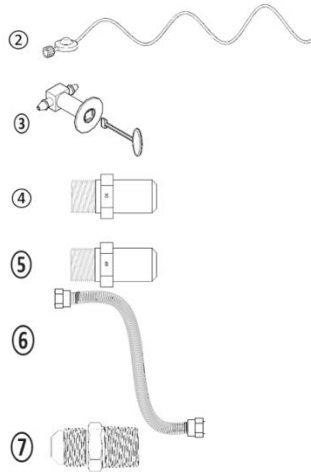
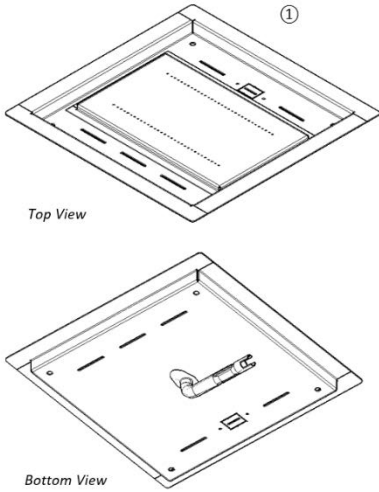
THESE APPLIANCES ARE DESIGNED FOR USE WITH:
PROPANE (LP) OR NATURAL GAS (NG), ONLY
THIS MANUAL CAN ONLY BE REPRODUCED IN ITS ENTIRETY

Isoflames Outdoor Table Burner - Components List

TABLE 1

No.	Description	Part No.	Qty
1	Isoflames 18" Square Table Burner Isoflames 48" Linear Table Burner	ISF18STB ISF48LTB	1 1
2	Gas Regulator w/36" Hose adapter	ISF-E-GR	1
3	Key Valve w/Key	ISF-E-KV	1
4	Natural Gas Orifice #30	E-O30	1
5	LP Gas Orifice #48	E-O48	1
6	3/8" Flex Connector 34"	ISF-E-FC34	1
7	3/8" Flared fitting male adapter	ISF-E-FFM38	1

NOTE: model ISF18STB shown



Isoflames Outdoor Table Burner - Specifications

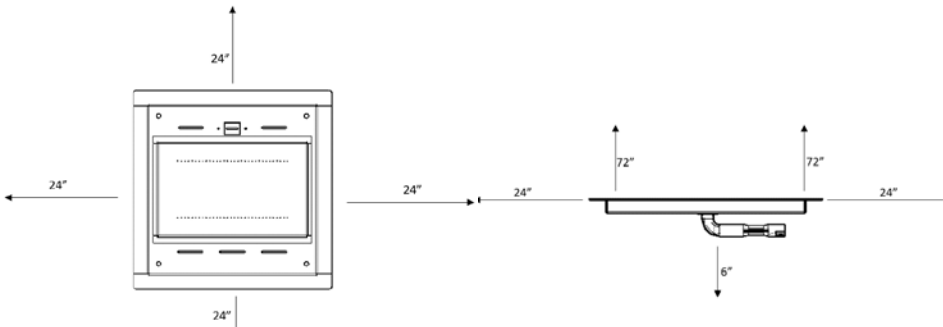


FIGURE 1

FIGURE 2

TABLE 2

Burner Specifications					
Burner Model	Minimum Clearance Dimension (in)			BTU	
	Below	Above	Sides	Nat. Gas	L.P. Gas
ISF18STB	6	72	24	65K	60K
ISF48LTB	6	72	24	65K	60K

TABLE 3

BURNER CAVITY DIMENSIONS (in)					
Burner Model	A - Height (Min)	B - Width (Min)		C - Length	
		Min	Max	Min	Max
ISF18STB	6	18-1/2	20-1/2	18-1/2	20-1/2
ISF48LTB	6	8-3/8	10-1/2	47-3/8	49-1/2

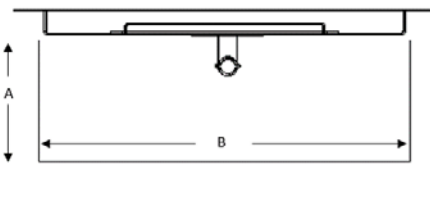


FIGURE 3

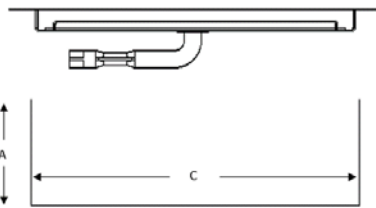


FIGURE 4

Gas Line Installation

This appliance must be connected to the gas line in accordance with local codes and/or the National Fuel Gas Code, ANSI Z223.1. After connecting the gas line, all joints in the line and connections at the valve should be checked for leaks before final positioning of the unit. Conduct a gas leakage test of the appliance piping and control system downstream of the shutoff valve in the supply line to the appliance.

Burner Installation

WARNING

This conversion kit shall be installed by a qualified service agency in accordance with the manufacturer's instructions and all applicable codes and requirements of the Authority Having Jurisdiction. If the information in these instructions is not followed exactly, a fire, explosion or production of carbon monoxide may result causing property damage, personal injury or loss of life. The qualified service agency is responsible for the proper installation of this kit. The installation is not proper and complete until the operation of the converted appliance is checked as specified in the manufacturer's instructions supplied with the kit.

IMPORTANT: Prior to installation: Shut off main gas supply to appliance.

- The Isoflames Outdoor Table Burner system shall be installed according to the installation manual. To ensure proper performance of the appliance the owner's installation manual must be followed carefully.
- The Isoflames Outdoor Table Burner is designed to be recessed into a cavity constructed as detailed in **Table 3**.
 - It is recommended the pan flange be recessed below the tabletop finish material to conceal possible warping

IMPORTANT: Proper ventilation of firetable/enclosure must be installed at the height of the propane tank valve (minimum 2 locations) and towards the bottom (minimum 2 locations).

IMPORTANT: Propane tank cylinders must be stored in a well-ventilated area and out of reach of children.

NOTE: It is recommended that an access panel/door is installed with the firetable/enclosure to access burner connections.

- **The Isoflames Outdoor Table Burner is equipped for LP fuel application. For natural gas application, field conversion is required.**
 - To convert burner to natural gas. Perform the following steps:
 - i. Using a pair of wrenches, remove the flared fitting by removing the locknut located under the burner.
 - ii. Remove the #48 (LP) orifice from the flared fitting and replace with the #30(NG) orifice supplied in content bag. **Figure 5**
 - iii. Reinstall the flared fitting with the natural gas orifice. Secure flared fitting to the bracket with the locknut. **Figure 6**
 - iv. Locate the air shutter on gas tube, rotate until opening is completely covered. **Figure 7**

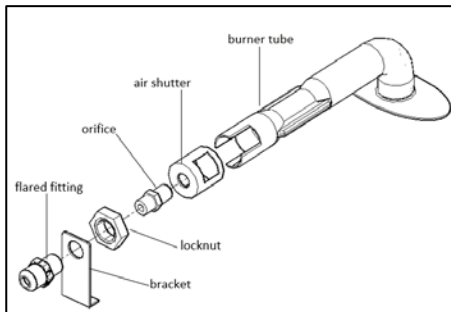


FIGURE 5

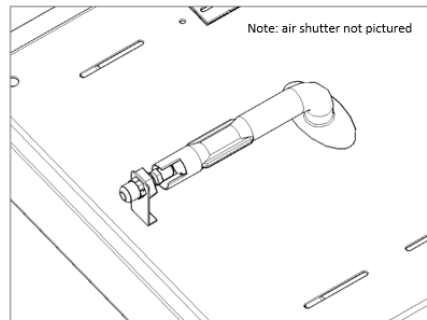


FIGURE 6

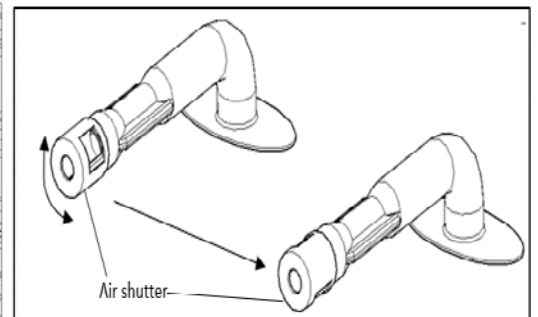


FIGURE 7

Burner Installation

If Using Propane Tank:

IMPORTANT: Propane tank cylinders must be stored in a well-ventilated area and out of reach of children.

1. Connect one end of the 34" flex connector to the flared fitting on burner and tighten.
2. Connect opposite end of flex connector to the outlet of the key valve and tighten.
3. Drop the table burner into the cavity. **Figure 8 & 9**
4. Connect the gas hose with regulator to the inlet of the key valve and tighten.
5. Connect the gas regulator to propane tank and tighten by hand.
6. Pour media on top of burner pan and spread evenly. It is recommended that media be applied at a minimum depth of 3/4" for optimal flame appearance.

Burner Installation

If Using Existing Rigid Gas Pipe:

This appliance must be connected to the gas line in accordance with local codes and/or the National Fuel Gas Code, ANSI Z223.1. After connecting the gas line, all joints in the line and connections at the valve should be checked for leaks before final positioning of the unit. Conduct a gas leakage test of the appliance piping and control system downstream of the shutoff valve in the supply line to the appliance

1. Ensure a shutoff valve is installed and located before piping into firetable.
2. Plumb incoming gas supply to the inlet of the key valve.
3. Connect the 3/4" flex connector to the outlet of the key valve and tighten.
4. Connect opposite end of flex connector to the flared fitting on burner and tighten.
5. Drop burner into the cavity. **Figure 8 & 9**
6. Pour media on top of burner pan and spread evenly. It is recommended that media be applied at a minimum depth of 3/4" for optimal flame appearance.

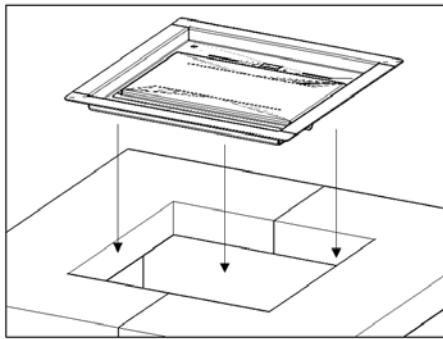


FIGURE 8

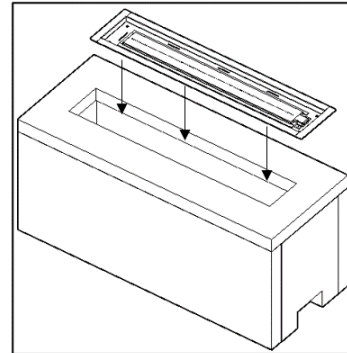


FIGURE 9

Customer Service

Earthcore Industries, LLC is committed to customer service and exceeding customer expectations. We are available Monday - Friday 8:30 AM to 4:30 PM EST toll free at 800 642-2920 to provide technical assistance and answer any questions you may have.

ISOFLAMES DROP-IN BURNER WARRANTY

- LIMITED WARRANTY on assembled ISOFLAMES burner, 1 year.

Warranty commences from the date of original sale from Earthcore Industries or Participating Earthcore Dealer/Distributor. This warranty does not cover items that have been damaged by overheating, modification, abuse, or improper storage. It is important for you to register product with Earthcore. To register, complete and return the warranty card below.

Please tear along dash lines and send to:

Earthcore Industries
 ATTN: Technical Department
 6899 Philipps Industrial BLVD
 Jacksonville, FL 32256

Name: _____ Date of Purchase _____ Date of Installation: _____ Address: _____ City, State, and Zip _____ Phone number: _____ Fireplace Model (circle one) ISF48LTB ISF18STB Gas Type(circle one): Natural Gas LP (Propane)	Purchased From: _____ Address: _____ City, State, and Zip _____ Phone number: _____ Installed By: _____ Address: _____ City, State, and Zip _____ Phone number: _____
---	--