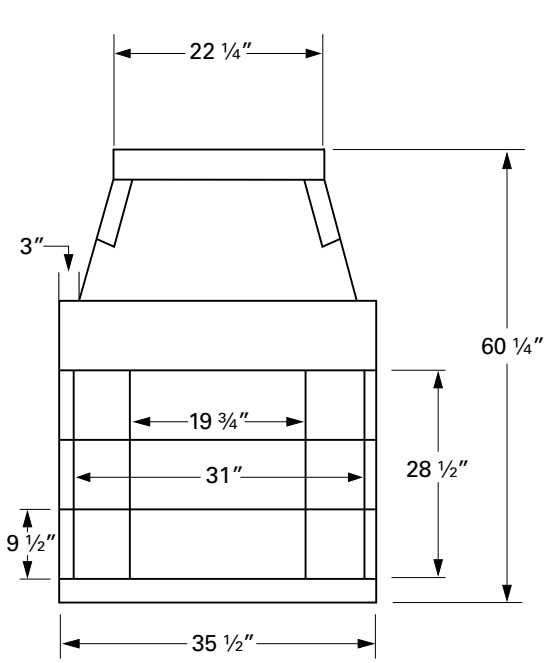


Isokern Magnum 28" Fireplace

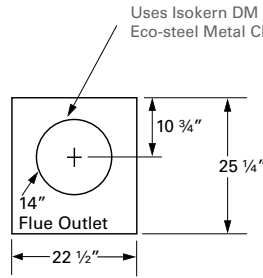


6899 Phillips Industrial Blvd. • Jacksonville, FL 32256

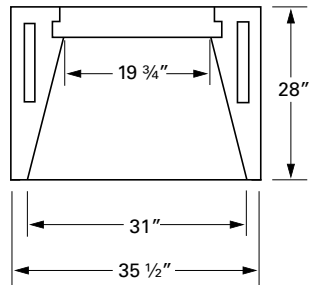
Project Name: _____ Location: _____



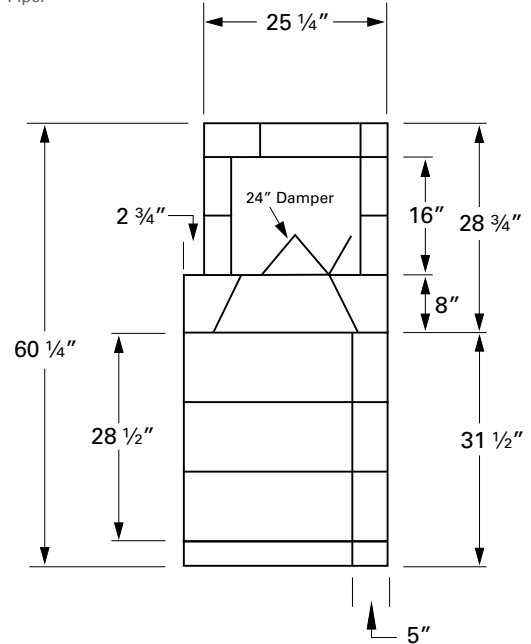
Front View



Top View



Plan View



Side View

Uses Isokern DM 54 Chimney or Eco-steel Metal Chimney Pipe.

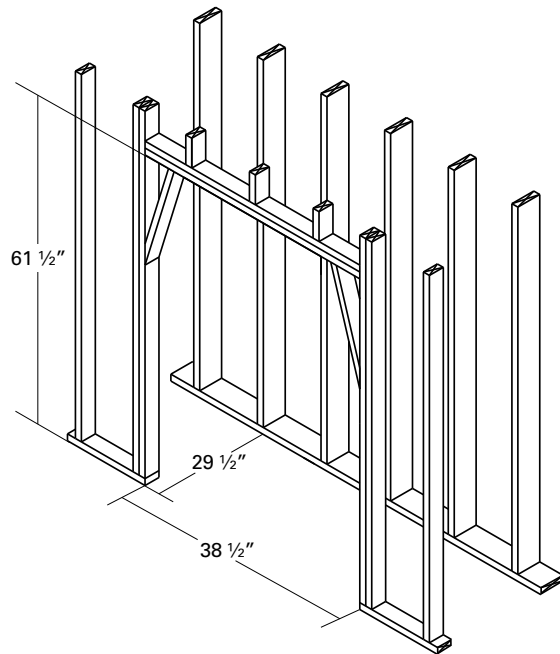
FIREPLACE OPTIONS

- Hearth Height: _____
- Fire-Lite Stand: _____
- Brick Type: _____
- Brick Color: _____
- Brick Pattern: _____
- Damper: _____
- Chimney Type: _____
- Offset: _____
- Other Options: _____
- Spark Arrestor/Termination: _____
- Enervex RSHT Chimney Fan: _____
- Decorative Termination: _____
- Gas Log Set: _____
- Wood Grate: _____

Notes: _____

MINIMUM FRAMING DIMENSIONS

Framing dimensions maintain 1 1/2" clearance to combustibles. Refer to product manual for further installation instructions.



The total weight for the Magnum 28" fireplace is approximately 1040 lbs. This dry weight includes fireplace pumice components only, additional weight from mortar, damper, firebrick and chimney not included.