

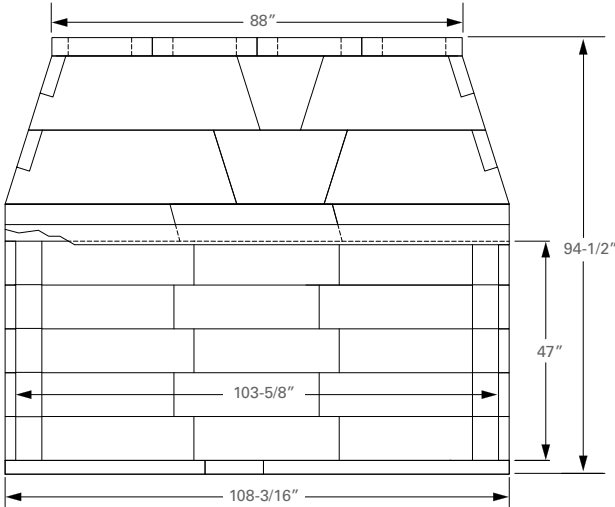
Isokern Magnum 96" Fireplace



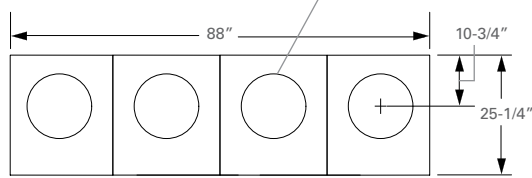
6899 Phillips Industrial Blvd. • Jacksonville, FL 32256

Project Name: _____ **Location:** _____

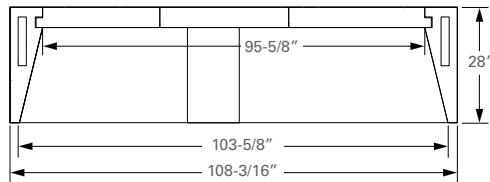
Uses four Eco-steel Metal Chimney Pipe.
Refer to product manual for approved
Metal Chimney manufacturers.



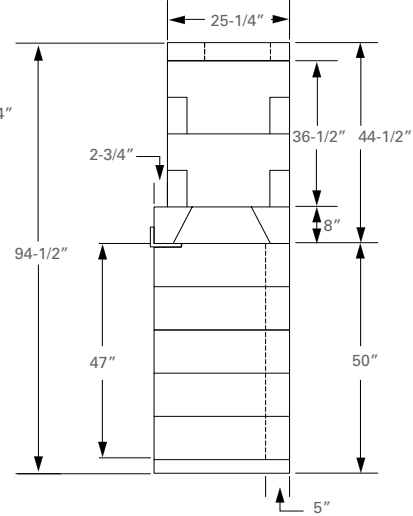
Front View



Top View



Plan View



Side View

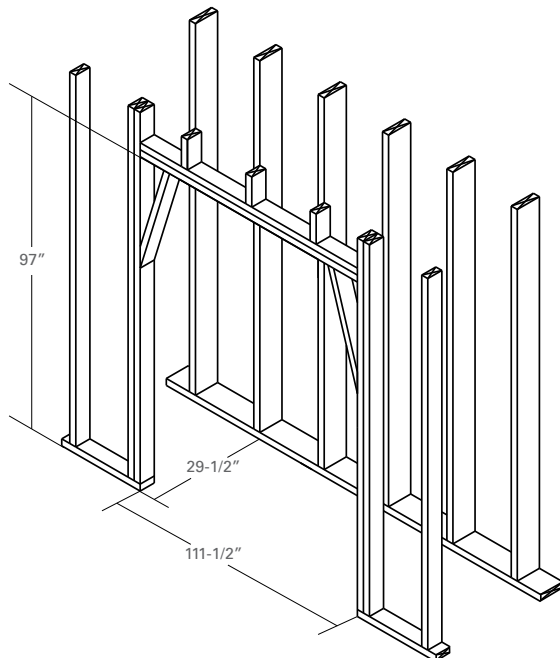
FIREPLACE OPTIONS

- Hearth Height: _____
- Brick Type: _____
- Brick Color: _____
- Brick Pattern: _____
- Damper: _____
- Chimney Type: _____
- Offset: _____
- Other Options: _____
- Spark Arrestor/Termination: _____
- Energex RSHT Chimney Fan: _____
- Decorative Termination: _____
- Gas Log Set: _____
- Wood Grate: _____

Notes: _____

MINIMUM FRAMING DIMENSIONS

Framing dimensions maintain 1 1/2" clearance to combustibles. Refer to product manual for further installation instructions.



The total weight for the Magnum 96" fireplace is approximately 3515 lbs. This dry weight includes fireplace pumice components only, additional weight from mortar, firebrick and chimney not included.