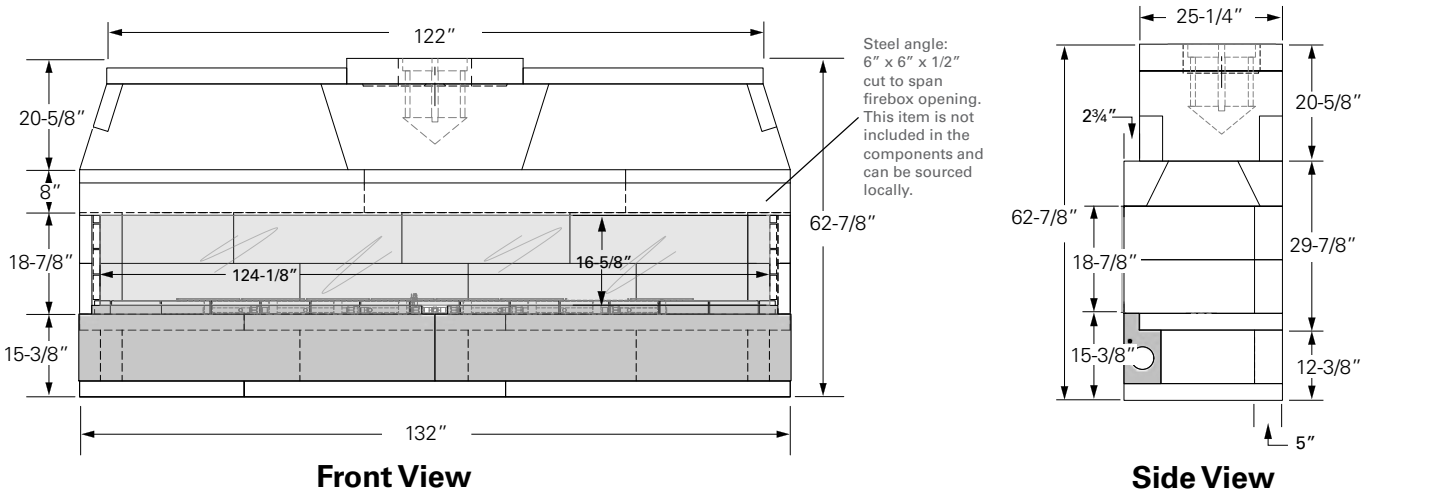


Project Name: _____ **Location:** _____

Address: _____ **Gate Code:** _____

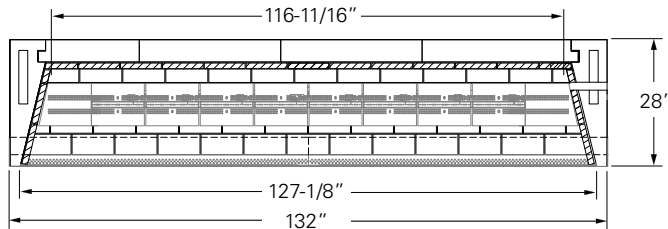
Project Manager: _____ **Contact #:** _____



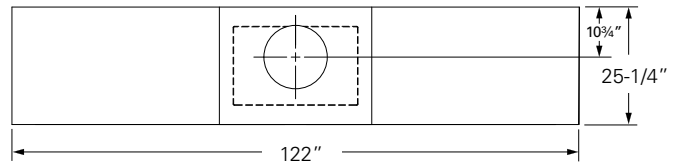
Front View

Side View

Uses one 12" B-Vent Chimney with mechanical exhaust fan. Refer to product manual for approved Metal Chimney manufacturers.

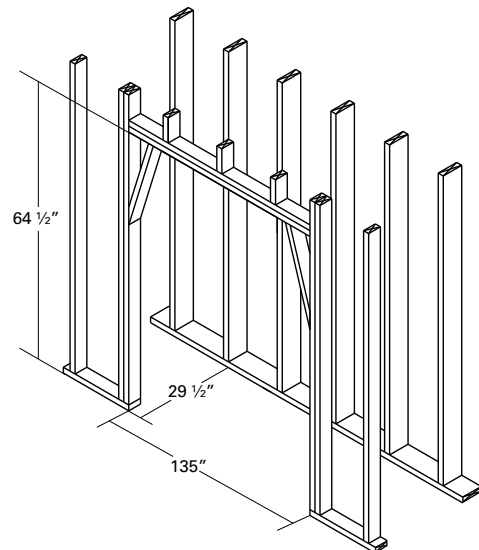


Plan View



Top View

MINIMUM FRAMING DIMENSIONS



Framing dimensions maintain 1 1/2" clearance to combustibles. Refer to product manual for further installation instructions.

FIREPLACE OPTIONS

- Hearth Height: _____
- Brick Type: _____
- Brick Color: _____
- Brick Pattern: _____
- Other Options: _____
- Gas Log Set: _____

Notes: _____

The total weight for the Maximus+ 120" linear fireplace with glass front is approximately 3,844 lbs. This dry weight includes fireplace pumice components only, additional weight from mortar, mechanical exhaust fan, glass media, firebrick and chimney not included.