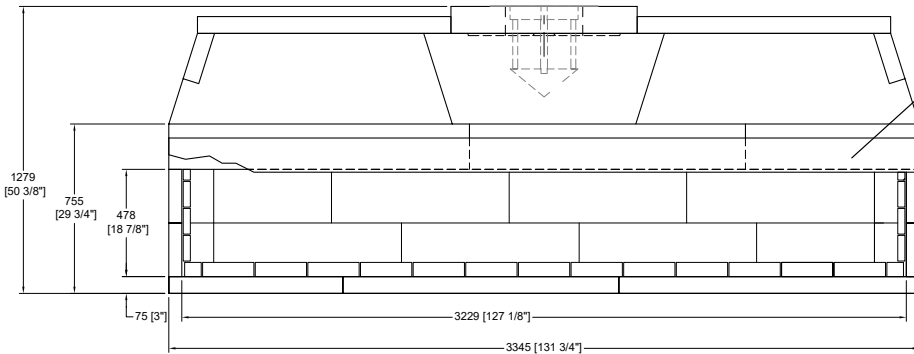


Project Name: _____ Location: _____

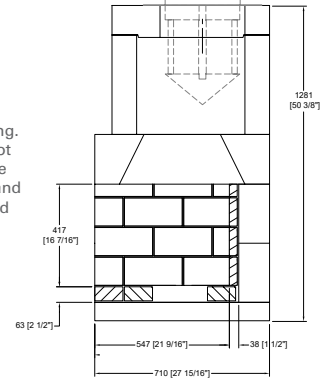
Address: _____ Gate Code: _____

Project Manager: _____ Contact #: _____

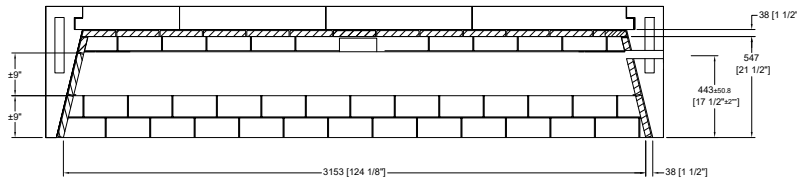


Front View

Steel angle:
6" x 6" x 1/2"
cut to span
firebox opening.
This item is not
included in the
components and
can be sourced
locally.

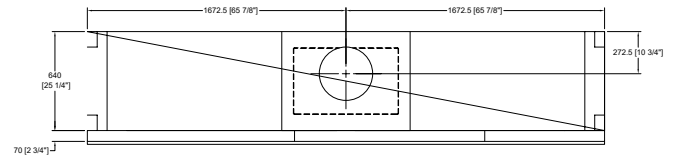


Side View



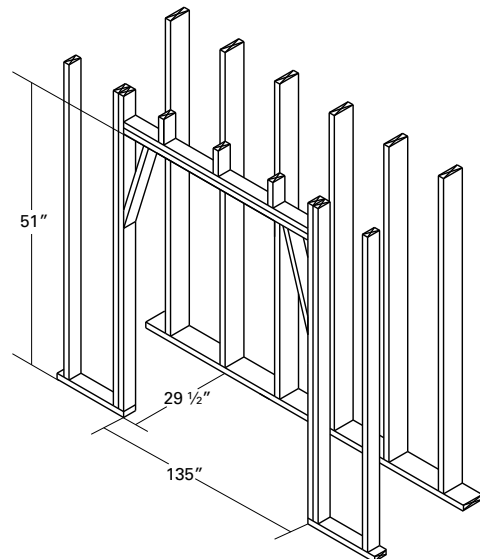
Plan View

Uses one 12" B-Vent Chimney with mechanical exhaust fan. Refer to product manual for approved Metal Chimney manufacturers.



Top View

MINIMUM FRAMING DIMENSIONS



Framing dimensions maintain 1 1/2" clearance to combustibles. Refer to product manual for further installation instructions.

FIREPLACE OPTIONS

Hearth Height: _____
 Brick Type: _____
 Brick Color: _____
 Brick Pattern: _____
 Other Options: _____
 Gas Log Set: _____

Notes: _____

The total weight for the Maximus 120" linear fireplace is approximately 2,997 lbs. This dry weight includes fireplace pumice components only, additional weight from mortar, mechanical exhaust fan, glass media, firebrick and chimney not included.