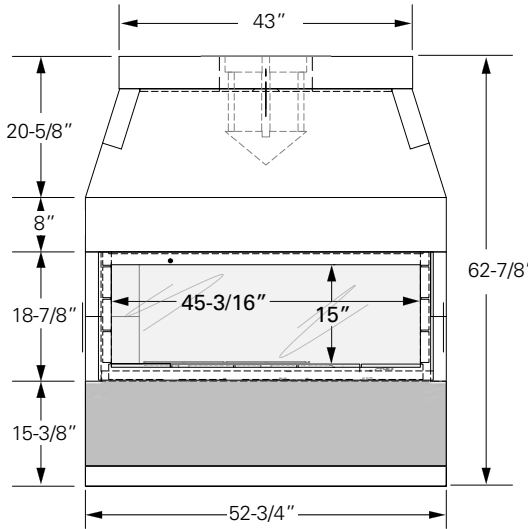


Project Name: \_\_\_\_\_ Location: \_\_\_\_\_

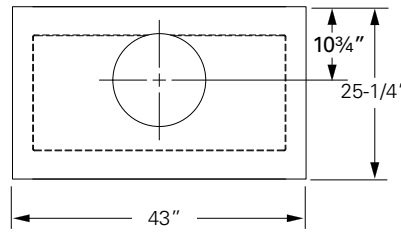
Address: \_\_\_\_\_ Gate Code: \_\_\_\_\_

Project Manager: \_\_\_\_\_ Contact #: \_\_\_\_\_

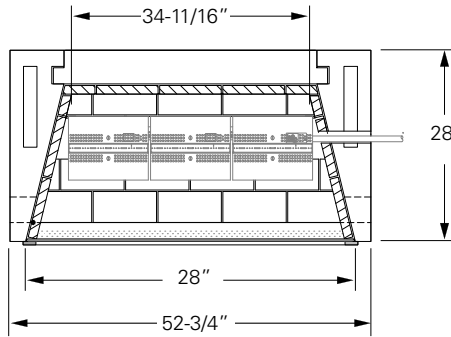
Uses one 12" B-Vent Chimney with mechanical exhaust fan. Refer to product manual for approved Metal Chimney manufacturers.



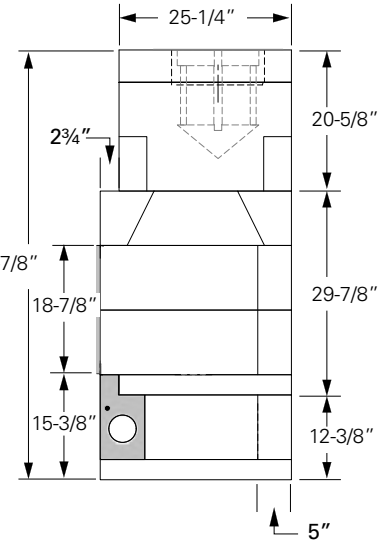
**Front View**



**Top View**

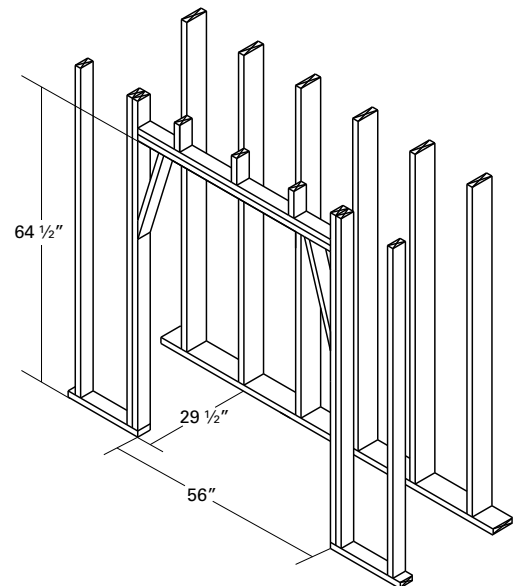


**Plan View**



**Side View**

## MINIMUM FRAMING DIMENSIONS



Framing dimensions maintain 1 1/2" clearance to combustibles. Refer to product manual for further installation instructions.

### FIREPLACE OPTIONS

- Hearth Height: \_\_\_\_\_
- Brick Type: \_\_\_\_\_
- Brick Color: \_\_\_\_\_
- Brick Pattern: \_\_\_\_\_
- Other Options: \_\_\_\_\_
- Gas Log Set: \_\_\_\_\_

Notes: \_\_\_\_\_  
 \_\_\_\_\_  
 \_\_\_\_\_  
 \_\_\_\_\_

The total weight for the Maximus+ 48" linear fireplace with glass front is approximately 1600 lbs. This dry weight includes fireplace pumice components only, additional weight from mortar, mechanical exhaust fan, glass media, firebrick and chimney not included.