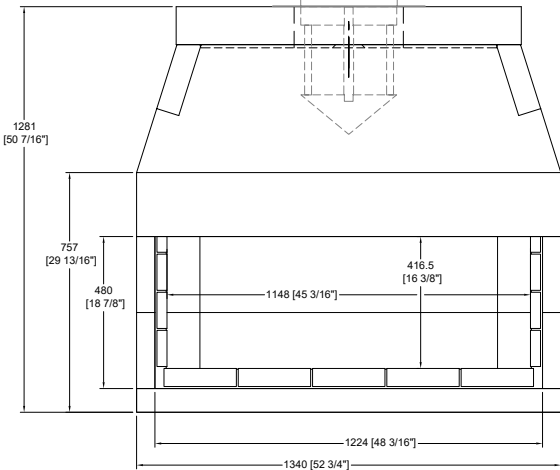


**Project Name:** \_\_\_\_\_ **Location:** \_\_\_\_\_

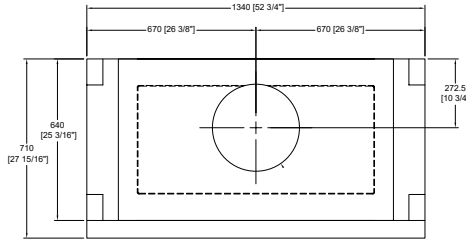
**Address:** \_\_\_\_\_ **Gate Code:** \_\_\_\_\_

**Project Manager:** \_\_\_\_\_ **Contact #:** \_\_\_\_\_

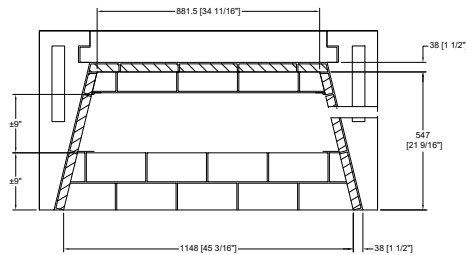
Uses one 12" B-Vent Chimney with mechanical exhaust fan. Refer to product manual for approved Metal Chimney manufacturers.



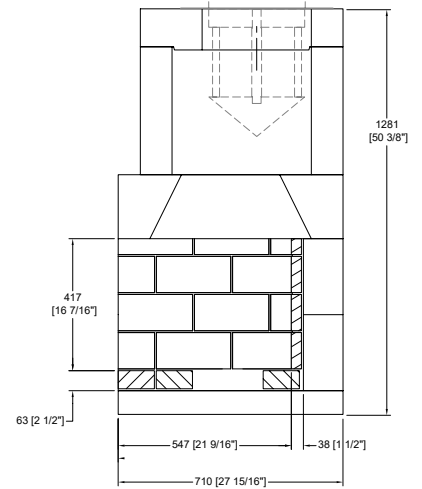
**Front View**



**Top View**

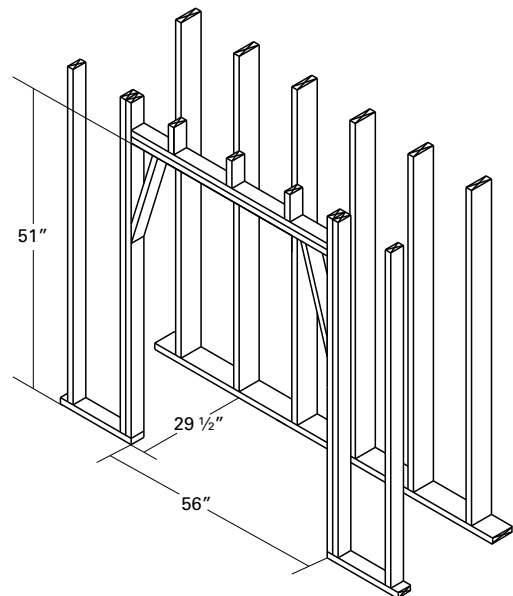


**Plan View**



**Side View**

## MINIMUM FRAMING DIMENSIONS



Framing dimensions maintain 1 1/2" clearance to combustibles. Refer to product manual for further installation instructions.

### FIREPLACE OPTIONS

- Hearth Height: \_\_\_\_\_
- Brick Type: \_\_\_\_\_
- Brick Color: \_\_\_\_\_
- Brick Pattern: \_\_\_\_\_
- Other Options: \_\_\_\_\_
- Gas Log Set: \_\_\_\_\_

**Notes:** \_\_\_\_\_  
 \_\_\_\_\_  
 \_\_\_\_\_  
 \_\_\_\_\_

**The total weight for the Maximus+ 48" linear fireplace is approximately 1,275 lbs. This dry weight includes fireplace pumice components only, additional weight from mortar, mechanical exhaust fan, glass media, firebrick and chimney not included.**