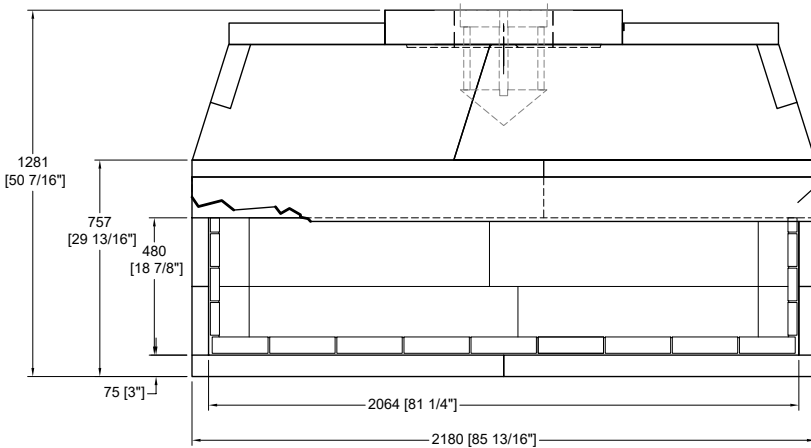


Project Name: _____ Location: _____

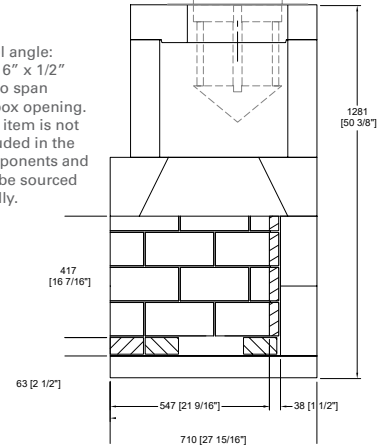
Address: _____ Gate Code: _____

Project Manager: _____ Contact #: _____



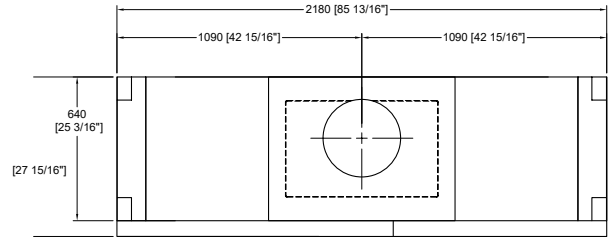
Front View

Steel angle:
6" x 6" x 1/2"
cut to span
firebox opening.
This item is not
included in the
components and
can be sourced
locally.

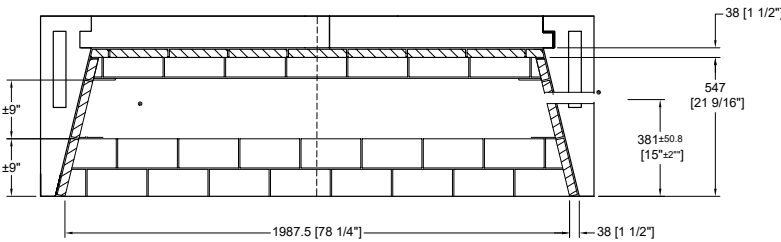


Side View

Uses one 12" B-Vent Chimney with mechanical exhaust fan. Refer to product manual for approved Metal Chimney manufacturers.

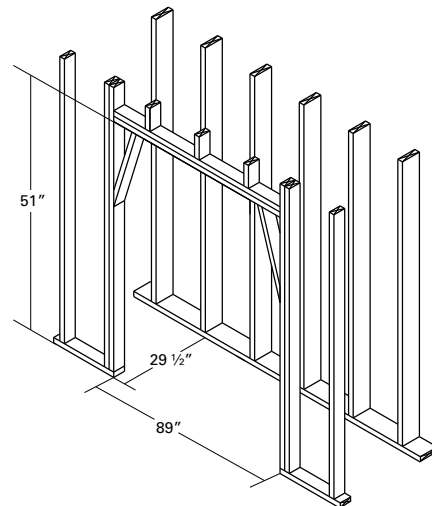


Top View



Plan View

MINIMUM FRAMING DIMENSIONS



Framing dimensions maintain 1 1/2" clearance to combustibles. Refer to product manual for further installation instructions.

FIREPLACE OPTIONS

- Hearth Height: _____
- Brick Type: _____
- Brick Color: _____
- Brick Pattern: _____
- Other Options: _____
- Gas Log Set: _____

Notes: _____

The total weight for the Maximus+ 72" linear fireplace is approximately 1,990 lbs. This dry weight includes fireplace pumice components only, additional weight from mortar, mechanical exhaust fan, glass media, firebrick and chimney not included.