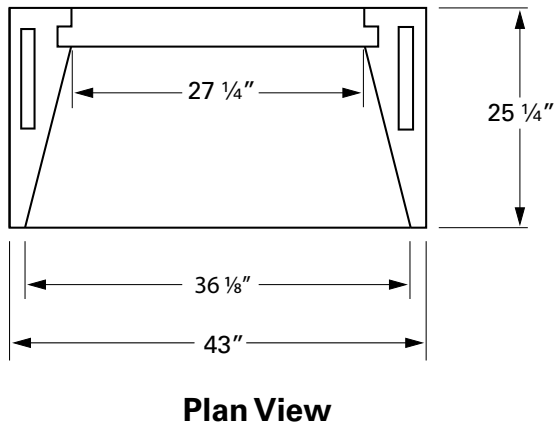
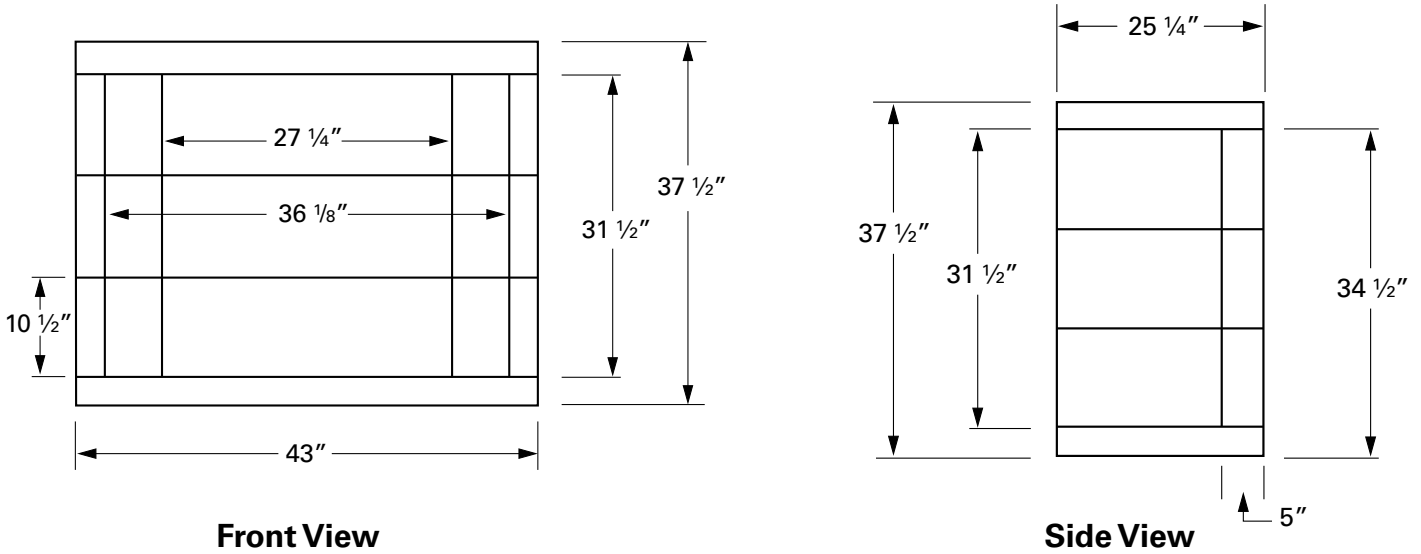


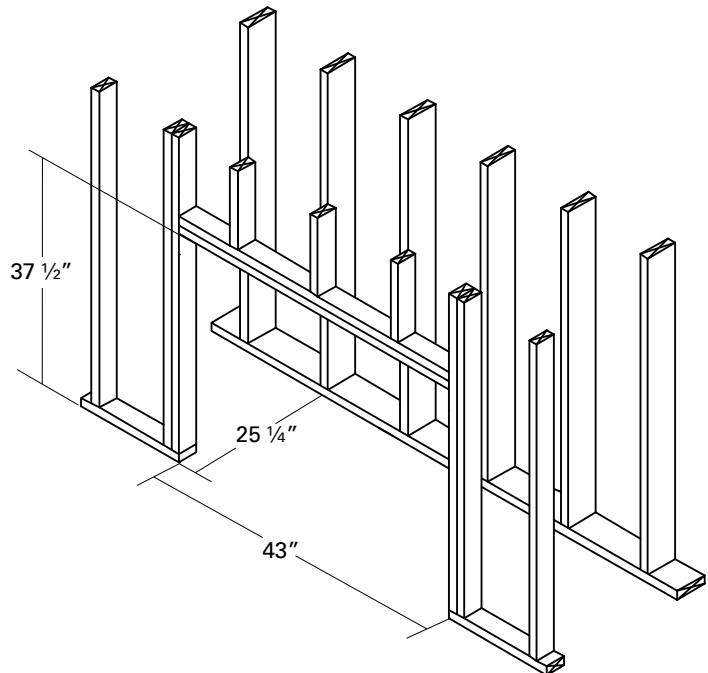
Project Name: \_\_\_\_\_ Location: \_\_\_\_\_

Address: \_\_\_\_\_ Gate Code: \_\_\_\_\_

Project Manager: \_\_\_\_\_ Contact #: \_\_\_\_\_



### MINIMUM FRAMING DIMENSIONS



#### FIREPLACE OPTIONS

Hearth Height: \_\_\_\_\_  
 Brick Type: \_\_\_\_\_  
 Brick Color: \_\_\_\_\_  
 Brick Pattern: \_\_\_\_\_  
 Vent Free Log Set: \_\_\_\_\_

Notes: \_\_\_\_\_  
 \_\_\_\_\_  
 \_\_\_\_\_

The total weight for the Vent-Free 36" fireplace is approximately 715 lbs. This dry weight includes fireplace pumice components only, additional weight from mortar and firebrick not included.