

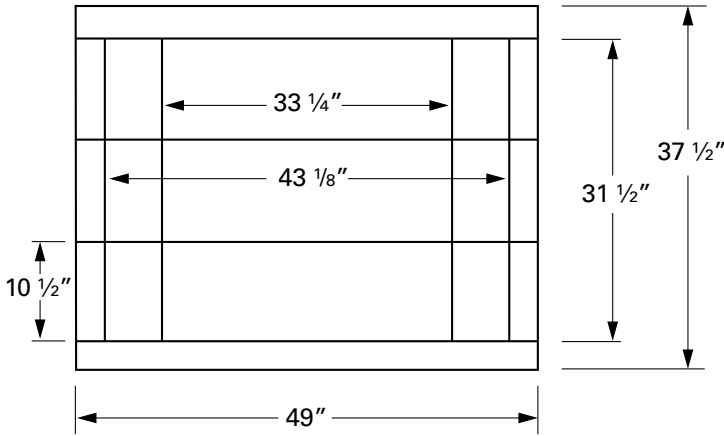
Isokern Vent-Free 42" Fireplace



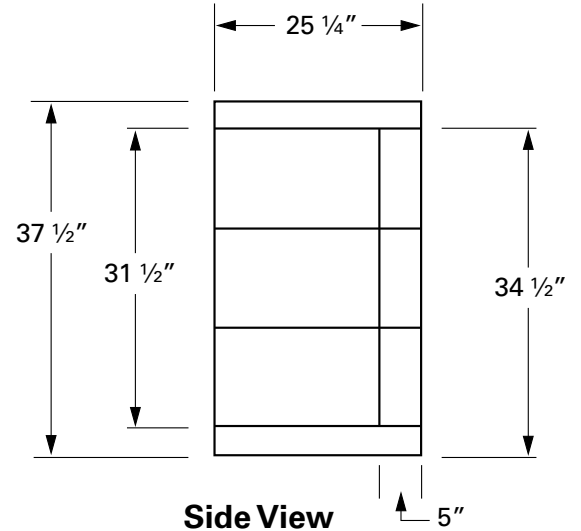
Project Name: _____ Location: _____

Address: _____ Gate Code: _____

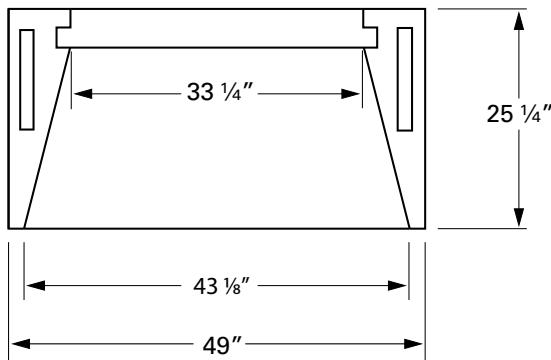
Project Manager: _____ Contact #: _____



Front View

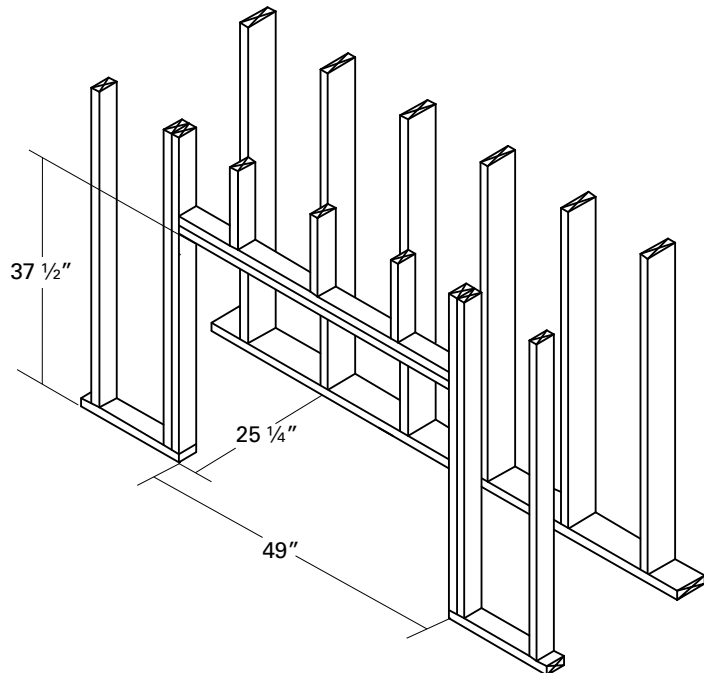


Side View



Plan View

MINIMUM FRAMING DIMENSIONS



FIREPLACE OPTIONS

Hearth Height: _____

Brick Type: _____

Brick Color: _____

Brick Pattern: _____

Vent Free Log Set: _____

Notes: _____

The total weight for the Vent-Free 42" fireplace is approximately 820 lbs. This dry weight includes fireplace pumice components only, additional weight from mortar and firebrick not included.