

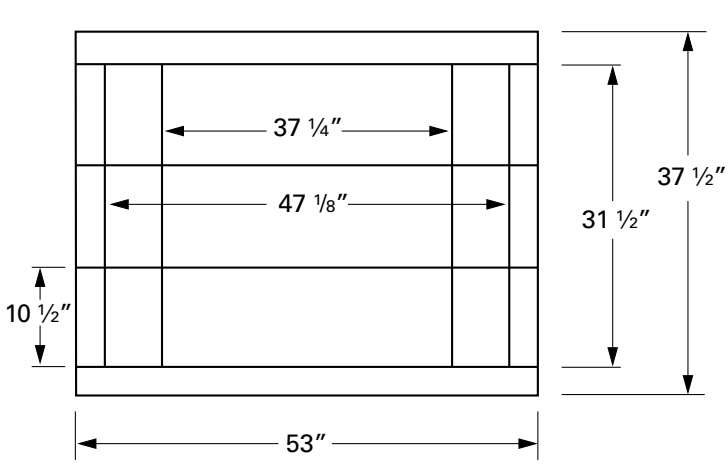
# Isokern Vent-Free 46" Fireplace



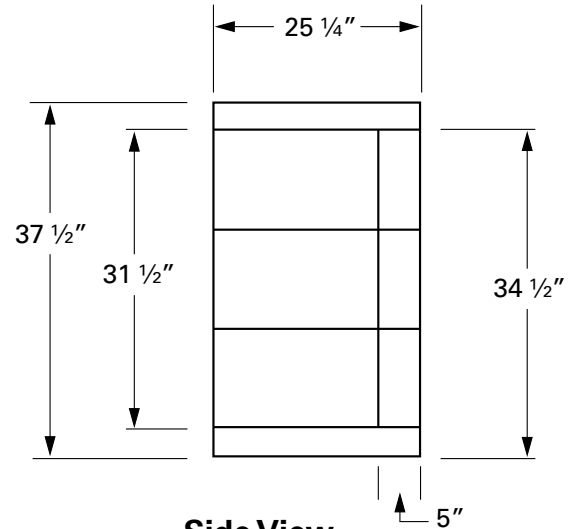
Project Name: \_\_\_\_\_ Location: \_\_\_\_\_

Address: \_\_\_\_\_ Gate Code: \_\_\_\_\_

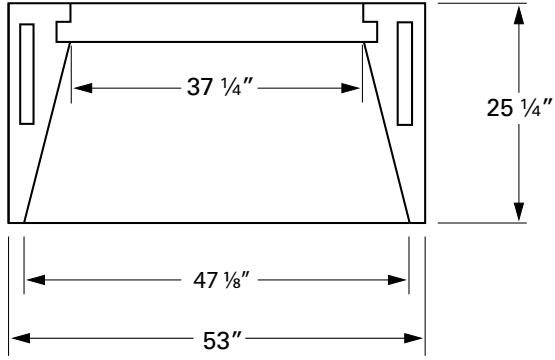
Project Manager: \_\_\_\_\_ Contact #: \_\_\_\_\_



**Front View**

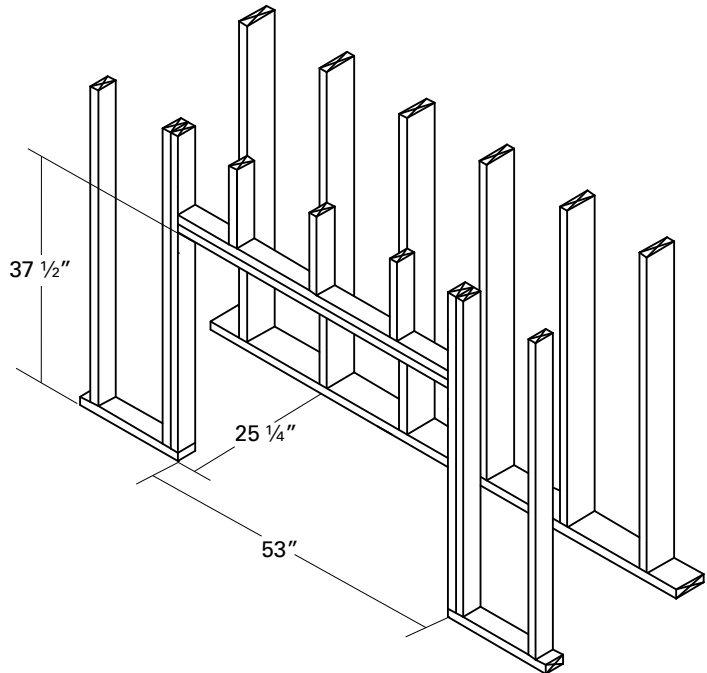


**Side View**



**Plan View**

**MINIMUM FRAMING DIMENSIONS**



**FIREPLACE OPTIONS**

Hearth Height: \_\_\_\_\_

Brick Type: \_\_\_\_\_

Brick Color: \_\_\_\_\_

Brick Pattern: \_\_\_\_\_

Vent Free Log Set: \_\_\_\_\_

Notes: \_\_\_\_\_

\_\_\_\_\_

\_\_\_\_\_

The total weight for the Vent-Free 46" fireplace is approximately 880 lbs. This dry weight includes fireplace pumice components only, additional weight from mortar and firebrick not included.