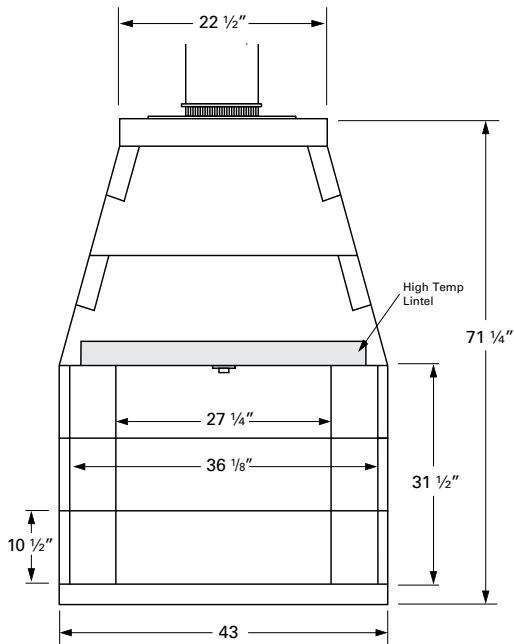


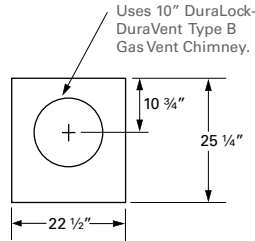
Project Name: _____ Location: _____

Address: _____ Gate Code: _____

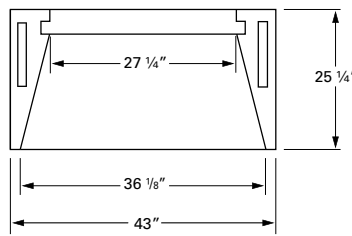
Project Manager: _____ Contact #: _____



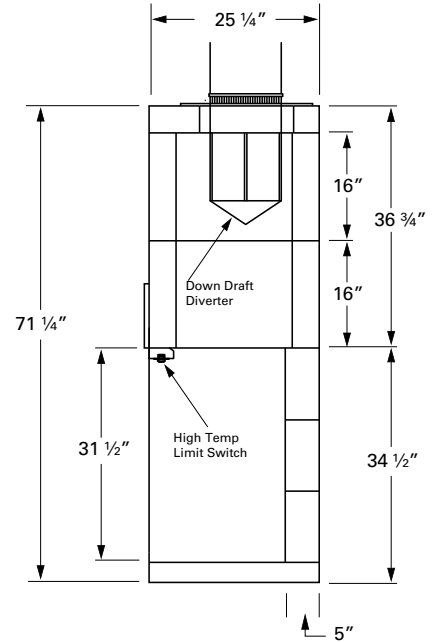
Front View



Top View

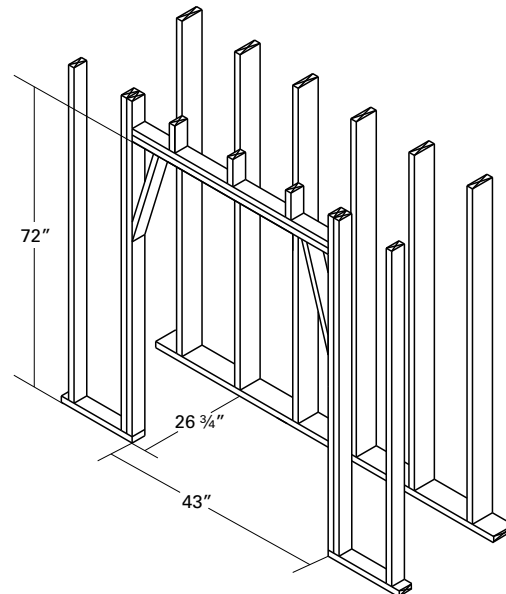


Plan View



Side View

MINIMUM FRAMING DIMENSIONS



Framing dimensions maintain 1 1/2" clearance to combustibles. This is the standard framing height for the model shown. Refer to product manual for other framing height openings and further installation instructions.

FIREPLACE OPTIONS

- Hearth Height: _____
- Opening Height: _____
- Brick Type: _____
- Brick Color: _____
- Brick Pattern: _____
- Chimney Type: _____
- Offset: _____
- Decorative Termination: _____

Notes: _____

The total weight for the IBV 36" fireplace is approximately 1500 lbs. This dry weight includes fireplace pumice components only, additional weight from mortar, damper, firebrick and chimney not included.