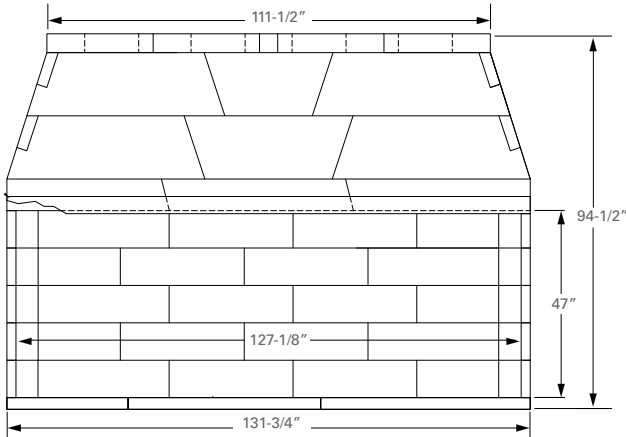


**Project Name:** \_\_\_\_\_ **Location:** \_\_\_\_\_

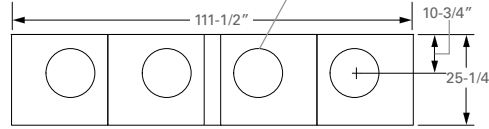
**Address:** \_\_\_\_\_ **Gate Code:** \_\_\_\_\_

**Project Manager:** \_\_\_\_\_ **Contact #:** \_\_\_\_\_

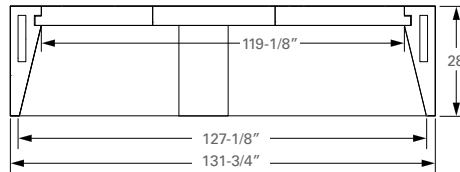
Uses four Eco-steel Metal Chimney Pipe.  
Refer to product manual for approved  
Metal Chimney manufacturers.



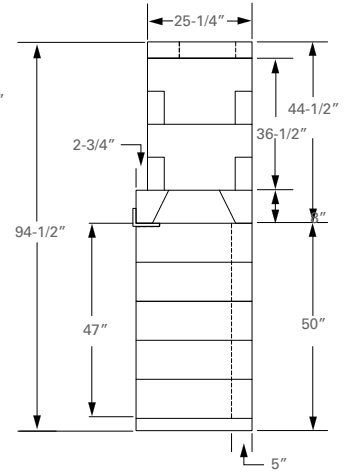
**Front View**



**Top View**



**Plan View**



**Side View**

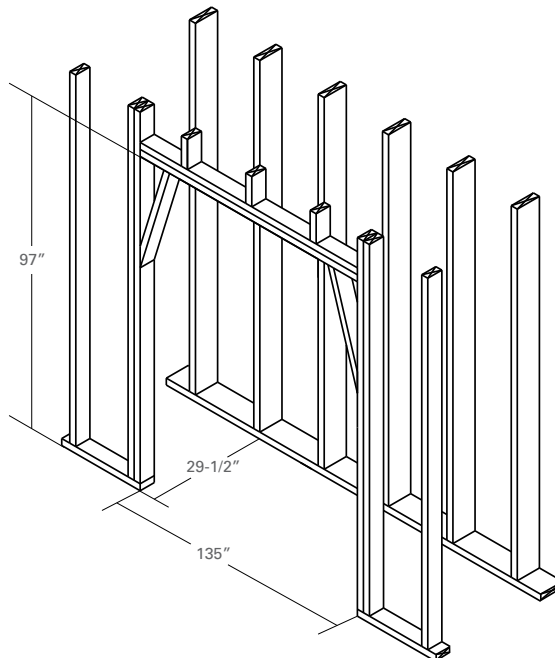
## FIREPLACE OPTIONS

- Hearth Height: \_\_\_\_\_
- Brick Type: \_\_\_\_\_
- Brick Color: \_\_\_\_\_
- Brick Pattern: \_\_\_\_\_
- Damper: \_\_\_\_\_
- Chimney Type: \_\_\_\_\_
- Offset: \_\_\_\_\_
- Other Options: \_\_\_\_\_
- Spark Arrestor/Termination: \_\_\_\_\_
- Energex RSHT Chimney Fan: \_\_\_\_\_
- Decorative Termination: \_\_\_\_\_
- Gas Log Set: \_\_\_\_\_
- Wood Grate: \_\_\_\_\_

**Notes:** \_\_\_\_\_  
 \_\_\_\_\_  
 \_\_\_\_\_  
 \_\_\_\_\_

## MINIMUM FRAMING DIMENSIONS

Framing dimensions maintain 1 1/2" clearance to combustibles. Refer to product manual for further installation instructions.



**The total weight for the Magnum $\Xi$  120" fireplace is approximately 4265 lbs. This dry weight includes fireplace pumice components only, additional weight from mortar, firebrick and chimney not included.**