

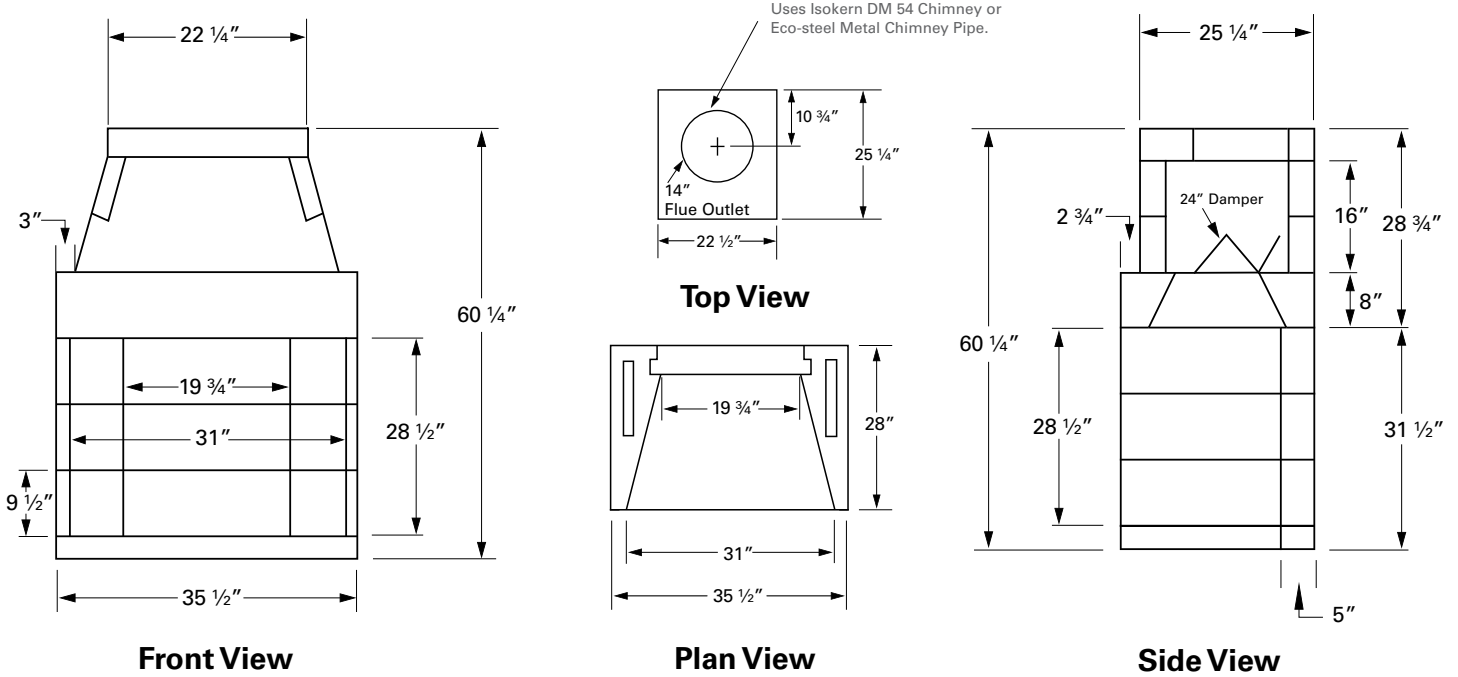
Isokern Magnum 28" Fireplace



Project Name: _____ Location: _____

Address: _____ Gate Code: _____

Project Manager: _____ Contact #: _____



FIREPLACE OPTIONS

Hearth Height: _____

Brick Type: _____

Brick Color: _____

Brick Pattern: _____

Damper: _____

Chimney Type: _____

Offset: _____

Other Options: _____

Spark Arrestor/Termination: _____

Energex RSHT Chimney Fan: _____

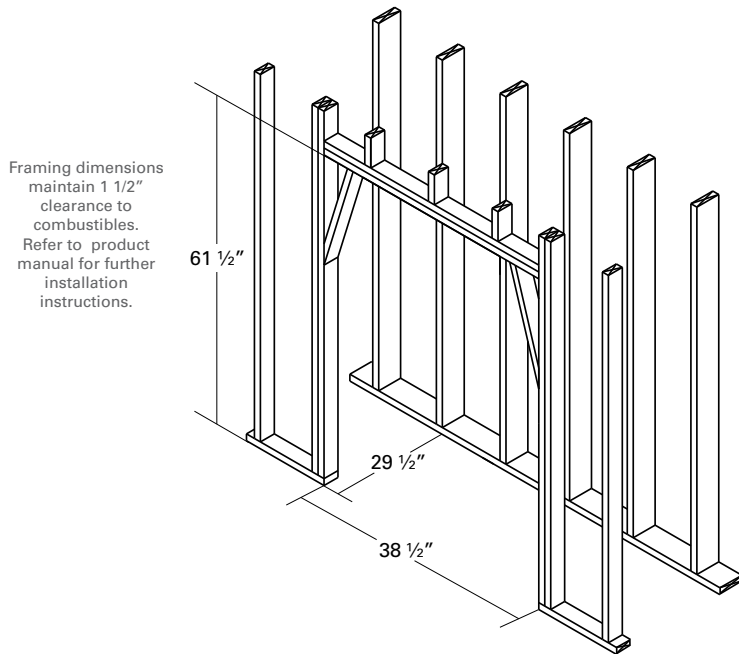
Decorative Termination: _____

Gas Log Set: _____

Wood Grate: _____

Notes: _____

MINIMUM FRAMING DIMENSIONS



The total weight for the Magnum 28" fireplace is approximately 1040 lbs. This dry weight includes fireplace pumice components only, additional weight from mortar, damper, firebrick and chimney not included.