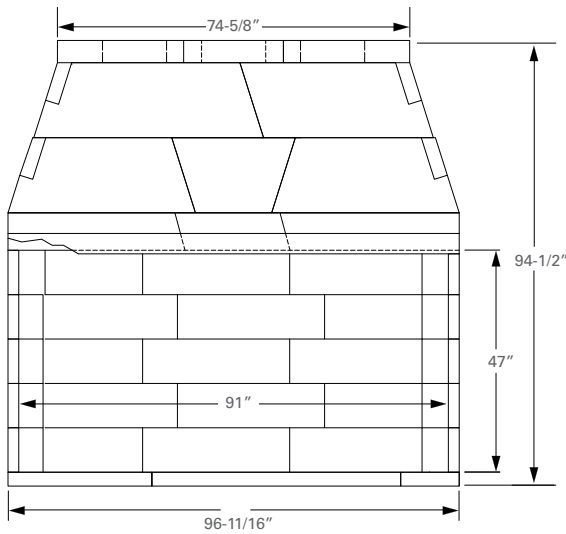


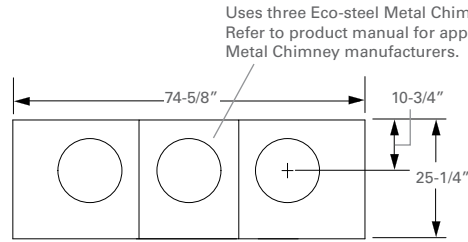
**Project Name:** \_\_\_\_\_ **Location:** \_\_\_\_\_

**Address:** \_\_\_\_\_ **Gate Code:** \_\_\_\_\_

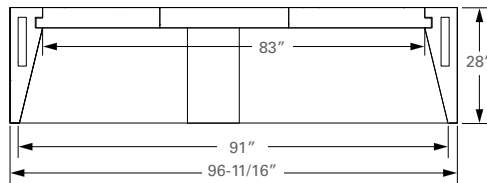
**Project Manager:** \_\_\_\_\_ **Contact #:** \_\_\_\_\_



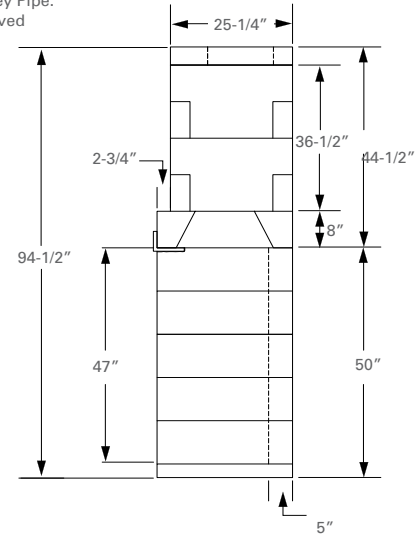
**Front View**



**Top View**



**Plan View**



**Side View**

Uses three Eco-steel Metal Chimney Pipe.  
Refer to product manual for approved Metal Chimney manufacturers.

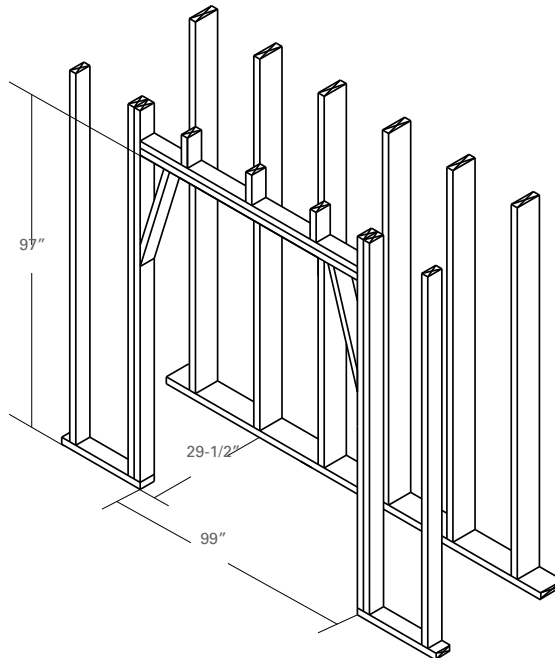
**FIREPLACE OPTIONS**

- Hearth Height: \_\_\_\_\_
- Brick Type: \_\_\_\_\_
- Brick Color: \_\_\_\_\_
- Brick Pattern: \_\_\_\_\_
- Damper: \_\_\_\_\_
- Chimney Type: \_\_\_\_\_
- Offset: \_\_\_\_\_
- Other Options: \_\_\_\_\_
- Spark Arrestor/Termination: \_\_\_\_\_
- Energex RSHT Chimney Fan: \_\_\_\_\_
- Decorative Termination: \_\_\_\_\_
- Gas Log Set: \_\_\_\_\_
- Wood Grate: \_\_\_\_\_

**Notes:** \_\_\_\_\_  
 \_\_\_\_\_  
 \_\_\_\_\_  
 \_\_\_\_\_

**MINIMUM FRAMING DIMENSIONS**

Framing dimensions maintain 1 1/2" clearance to combustibles. Refer to product manual for further installation instructions.



The total weight for the Magnum 84" fireplace is approximately 3198 lbs. This dry weight includes fireplace pumice components only, additional weight from mortar, firebrick and chimney not included.