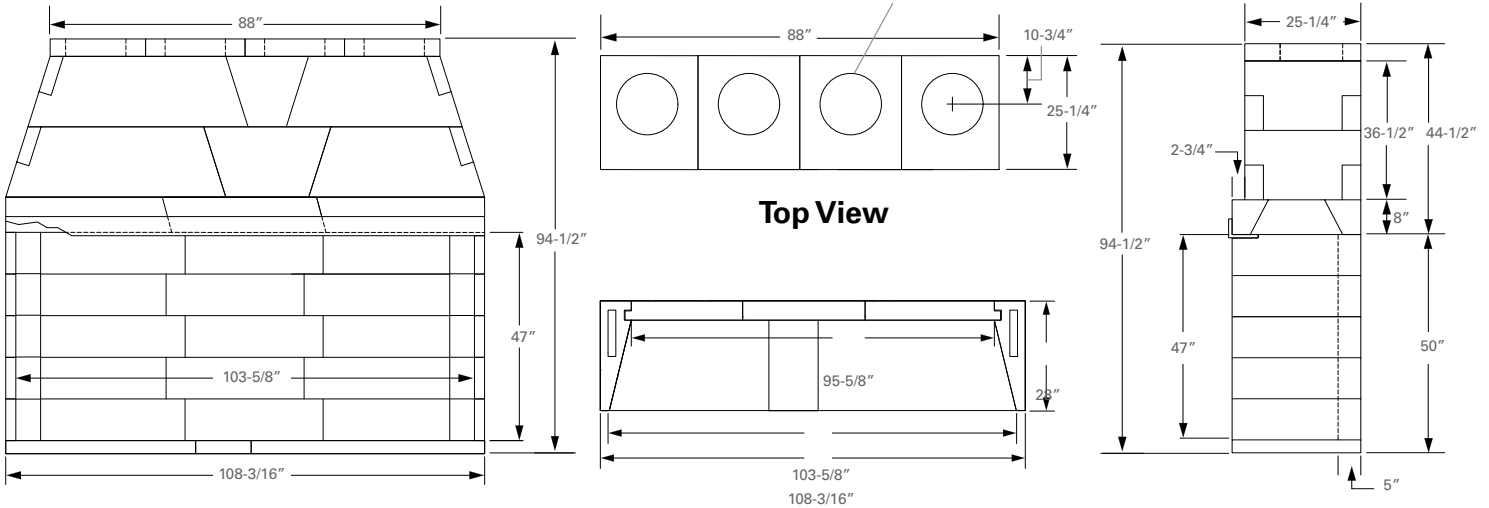


Project Name: \_\_\_\_\_ Location: \_\_\_\_\_

Address: \_\_\_\_\_ Gate Code: \_\_\_\_\_

Project Manager: \_\_\_\_\_ Contact #: \_\_\_\_\_

Uses four 13" Metal Chimney Pipe.  
Refer to product manual for approved  
Metal Chimney manufacturers.



**Front View**

**Plan View**

**Side View**

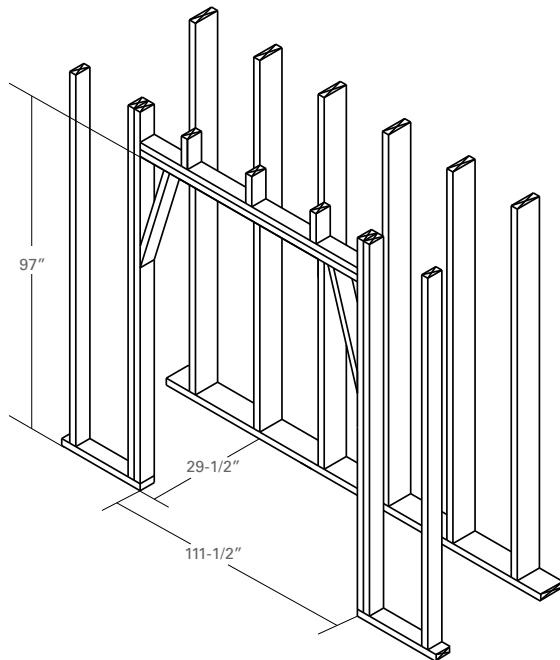
## FIREPLACE OPTIONS

- Hearth Height: \_\_\_\_\_
- Brick Type: \_\_\_\_\_
- Brick Color: \_\_\_\_\_
- Brick Pattern: \_\_\_\_\_
- Damper: \_\_\_\_\_
- Chimney Type: \_\_\_\_\_
- Offset: \_\_\_\_\_
- Other Options: \_\_\_\_\_
- Spark Arrestor/Termination: \_\_\_\_\_
- Energex RSHT Chimney Fan: \_\_\_\_\_
- Decorative Termination: \_\_\_\_\_
- Gas Log Set: \_\_\_\_\_
- Wood Grate: \_\_\_\_\_

Notes: \_\_\_\_\_  
 \_\_\_\_\_  
 \_\_\_\_\_  
 \_\_\_\_\_

## MINIMUM FRAMING DIMENSIONS

Framing dimensions maintain 1 1/2" clearance to combustibles. Refer to product manual for further installation instructions.



The total weight for the Magnum 96" fireplace is approximately 3515 lbs. This dry weight includes fireplace pumice components only, additional weight from mortar, firebrick and chimney not included.