

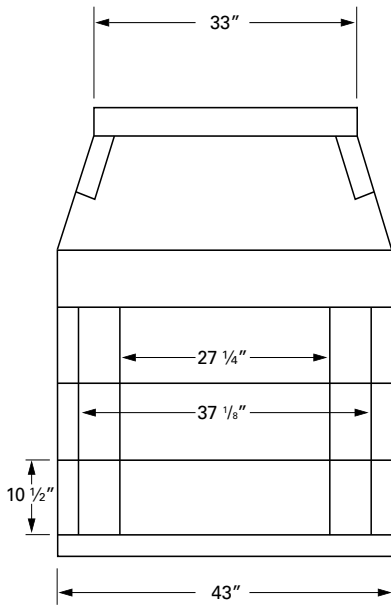
# Isokern Standard 36" Fireplace



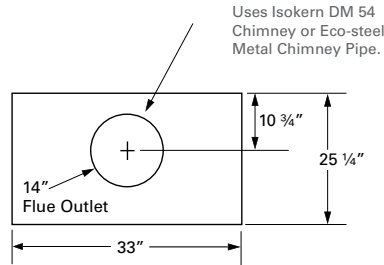
Project Name: \_\_\_\_\_ Location: \_\_\_\_\_

Address: \_\_\_\_\_ Gate Code: \_\_\_\_\_

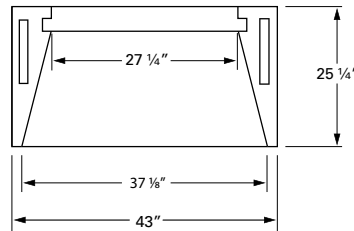
Project Manager: \_\_\_\_\_ Contact #: \_\_\_\_\_



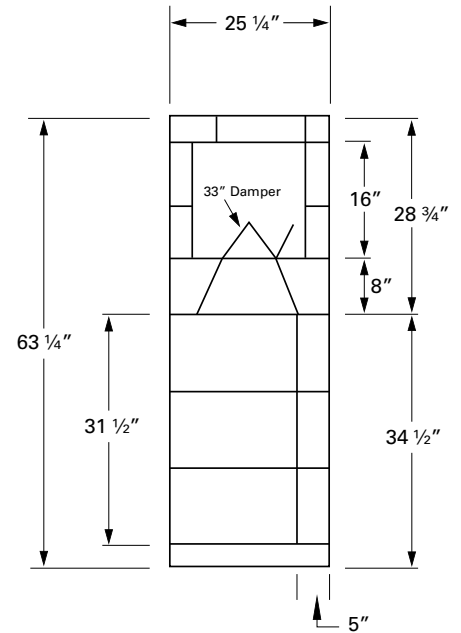
**Front View**



**Top View**



**Plan View**



**Side View**

Uses Isokern DM 54 Chimney or Eco-steel Metal Chimney Pipe.

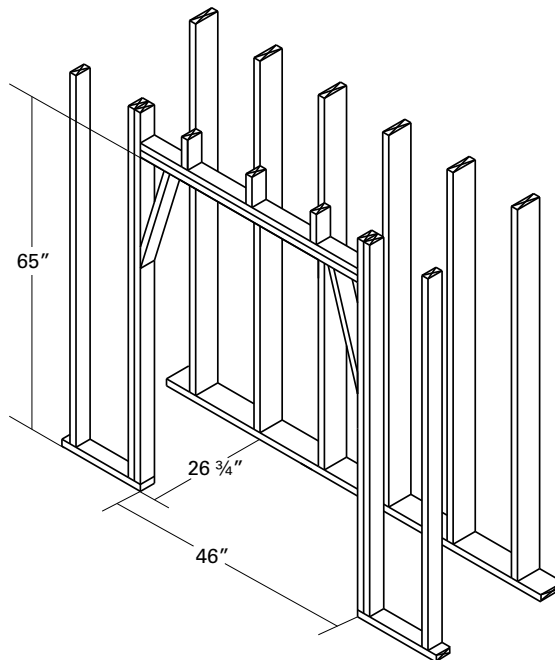
## FIREPLACE OPTIONS

- Hearth Height: \_\_\_\_\_
- Brick Type: \_\_\_\_\_
- Brick Color: \_\_\_\_\_
- Brick Pattern: \_\_\_\_\_
- Damper: \_\_\_\_\_
- Chimney Type: \_\_\_\_\_
- Offset: \_\_\_\_\_
- Other Options: \_\_\_\_\_
- Spark Arrestor/Termination: \_\_\_\_\_
- Energex RSHT Chimney Fan: \_\_\_\_\_
- Decorative Termination: \_\_\_\_\_
- Gas Log Set: \_\_\_\_\_
- Wood Grate: \_\_\_\_\_

Notes: \_\_\_\_\_  
 \_\_\_\_\_  
 \_\_\_\_\_  
 \_\_\_\_\_

## MINIMUM FRAMING DIMENSIONS

Framing dimensions maintain 1 1/2" clearance to combustibles. Refer to product manual for further installation instructions.



The total weight for the Standard 36" fireplace is approximately 1205 lbs. This dry weight includes fireplace pumice components only, additional weight from mortar, damper, firebrick and chimney not included.