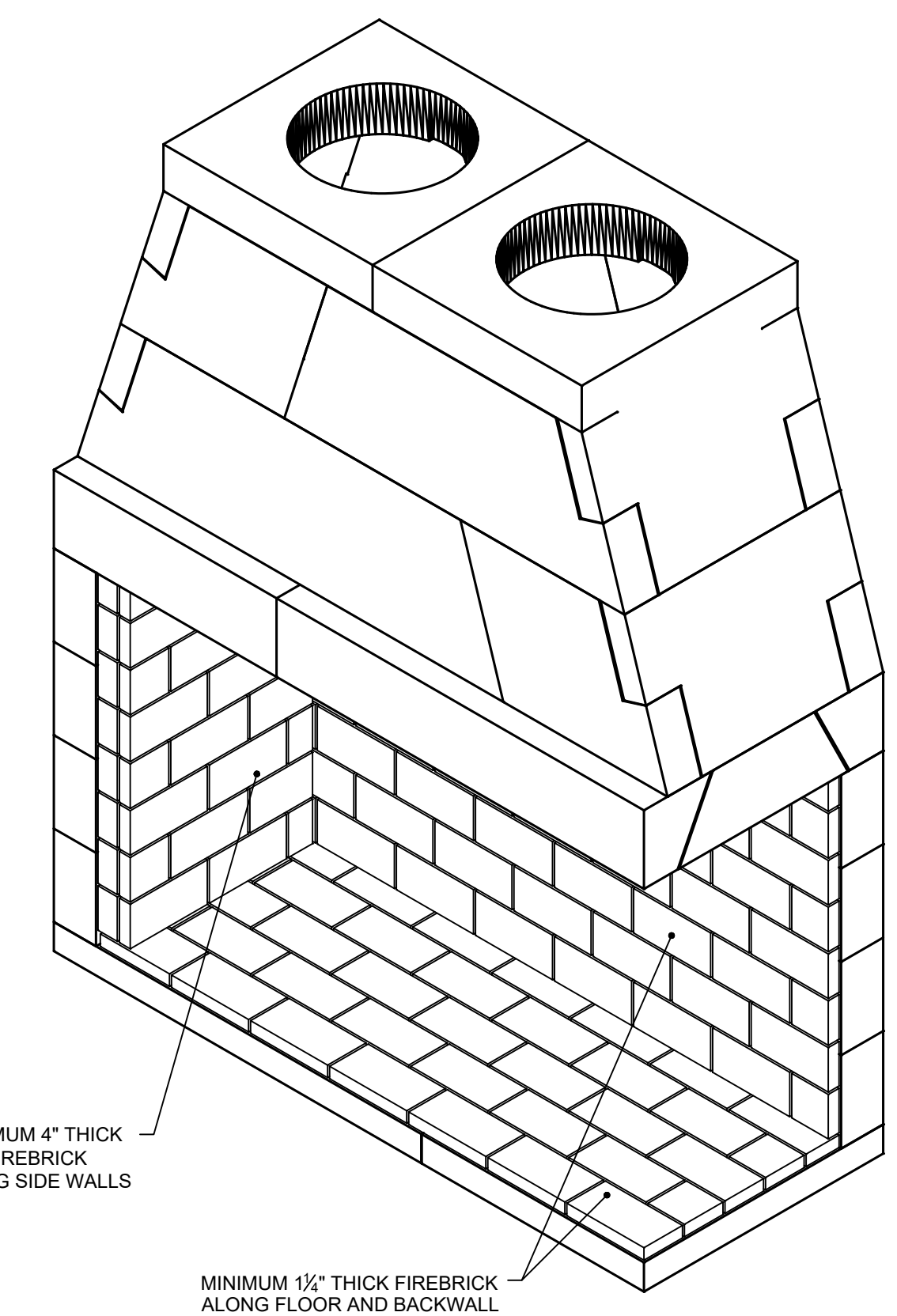


# FIREPLACE ORDER # : 82060CR

## GENERAL NOTES

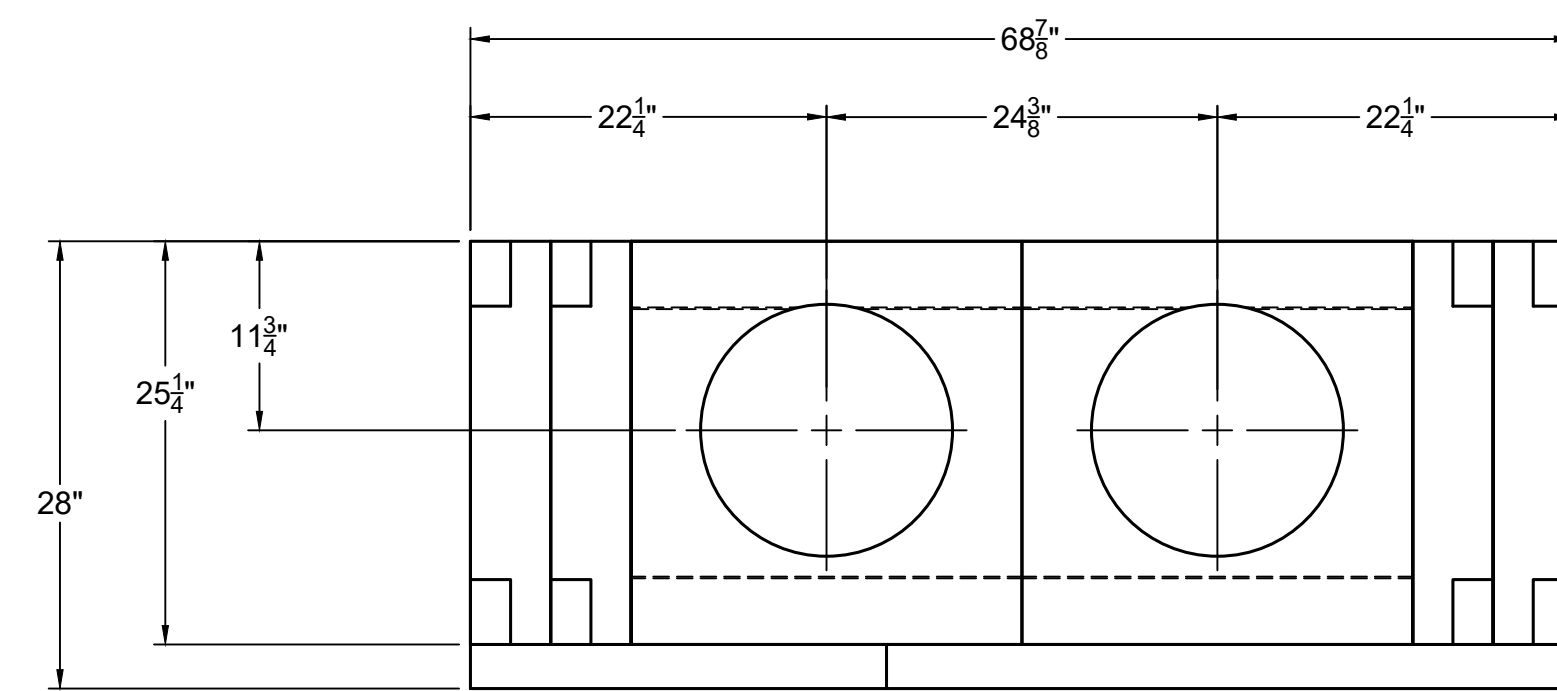
1. THIS CUSTOM ISOKERN FIREPLACE CARRIES NO LISTING, UL OR OTHERWISE.
2. IN ORDER TO SUPPORT THE SMOKE DOME OF THIS FIREBOX, A STRUCTURAL STEEL SUPPORT FRAME MUST BE DESIGNED AND APPROVED BY A STRUCTURAL ENGINEER. SMOKE DOME WEIGHT EXCLUDING MORTAR AND EXHAUST COMPONENTS IS 1064 LBS.
3. FIREPLACE SHALL BE INSTALLED WITH THE MINIMUM CLEARANCES TO COMBUSTIBLES AS LISTED BELOW. NOTE: HEARTH EXTENSION REQUIREMENTS AND ALL CLEARANCES AS MEASURED FROM OPENINGS SHALL APPLY TO ALL OPEN SIDES OF THE FIREPLACE :
  - SMOKE DOME FRONT AND ISOKERN CHIMNEY: 0"
  - SIDES AND REAR: 1.5"
  - COMBUSTIBLE SHEATHING ABOVE OPENING TOP: 24"
  - SHEATHING OR TRIM TO OPENING SIDES: 9"
  - MANTEL ABOVE OPENING: 24"
  - OPENING TO SIDEWALLS: 48"
  - HEARTH EXTENSION BEYOND FRONT: 30"
  - HEARTH EXTENSION BEYOND SIDES (FINISHED): 12"
  - COMBUSTIBLE FLOOR: NOT ALLOWED
  - INSULATION FROM FIREBOX (UNSHIELDED): 3"
4. THE FIREPLACE AND NONCOMBUSTIBLE HEARTH EXTENSION SHALL REST ATOP A NONCOMBUSTIBLE FLOORING SYSTEM WITH NO WOODEN UNDERPINNINGS.
5. MECHANICAL VENTILATION ASSISTANCE IS REQUIRED FOR THIS DESIGN. A MECHANICAL DRAFT COMPANY SHALL BE CONSULTED TO SPECIFY VENTILATION SYSTEM COMPONENTS/ CAPACITY BASED ON SPECIFIC INSTALLATION REQUIREMENTS.
6. IF YOU INSTALL A VENTED GAS LOG SET (DECORATIVE GAS APPLIANCE), THE LOG SET MUST COMPLY WITH THE STANDARD FOR DECORATIVE GAS APPLIANCE FOR INSTALLATION IN SOLID FUEL BURNING FIREPLACES, ANSI Z21.60 OR Z21.84 AND SHALL ALSO BE INSTALLED IN ACCORDANCE WITH THE NATIONAL FUEL GAS CODE, ANSI Z223/ NFPA 54; LATEST EDITION. IF YOU WISH TO INSTALL AN UNVENTED (VENT-FREE) GAS LOG SET, ONLY UNVENTED GAS LOG SETS WHICH HAVE BEEN FOUND TO COMPLY WITH THE STANDARD FOR UNVENTED ROOM HEATERS, ANSI Z21.11.2 ARE TO BE INSTALLED IN THIS FIREPLACE. CHECK LOCAL CODES FOR COMPLIANCE FOR UNVENTED (VENT FREE) GAS LOG SETS.
7. TWO 4" COMBUSTION AIR INLET KITS ARE RECOMMENDED BY EARTHCORE FOR THE 60/72 MAGNUM SERIES FIREPLACES AND MAY HELP IMPROVE FIREPLACE OPERATION IN HOMES TIGHTLY SEALED AND WITH OTHER VENTILATING APPLIANCES INSTALLED. IF THE INSTALLATION IS TO BE LONGER THAN TEN FEET (10'), THEN THE SIX INCH (6") ADAPTER WILL BE NEEDED. THIS ADAPTER WILL ATTACH TO THE EXISTING FOUR INCH (4") SLEEVE OUTSIDE OF THE UNIT. THE SIX INCH ADAPTER INCLUDES AN ADDITIONAL TWENTY FEET OF 6" FLEX HOSE, FOR A MAXIMUM RUN OF THIRTY FEET (30').
8. DRAWINGS ARE FOR DESIGN PURPOSES ONLY AND ARE THE SOLE PROPERTY OF EARTHCORE INDUSTRIES. ANY REPRODUCTION OR UNAUTHORIZED USE IS STRICTLY PROHIBITED.
9. EARTHCORE/ ISOKERN OR ANY DIVISION THEREOF SHALL NOT BE HELD LIABLE FOR ANY INCIDENTAL OR CONSEQUENTIAL DAMAGES OR EXPENSES ARISING OUT OF THE USE OF THE FIREPLACES OR CHIMNEY SYSTEMS.
10. ALWAYS CHECK LOCAL BUILDING CODES GOVERNING FIREPLACES AND FIREPLACE INSTALLATIONS.

## ISOMETRIC VIEW (N.T.S)

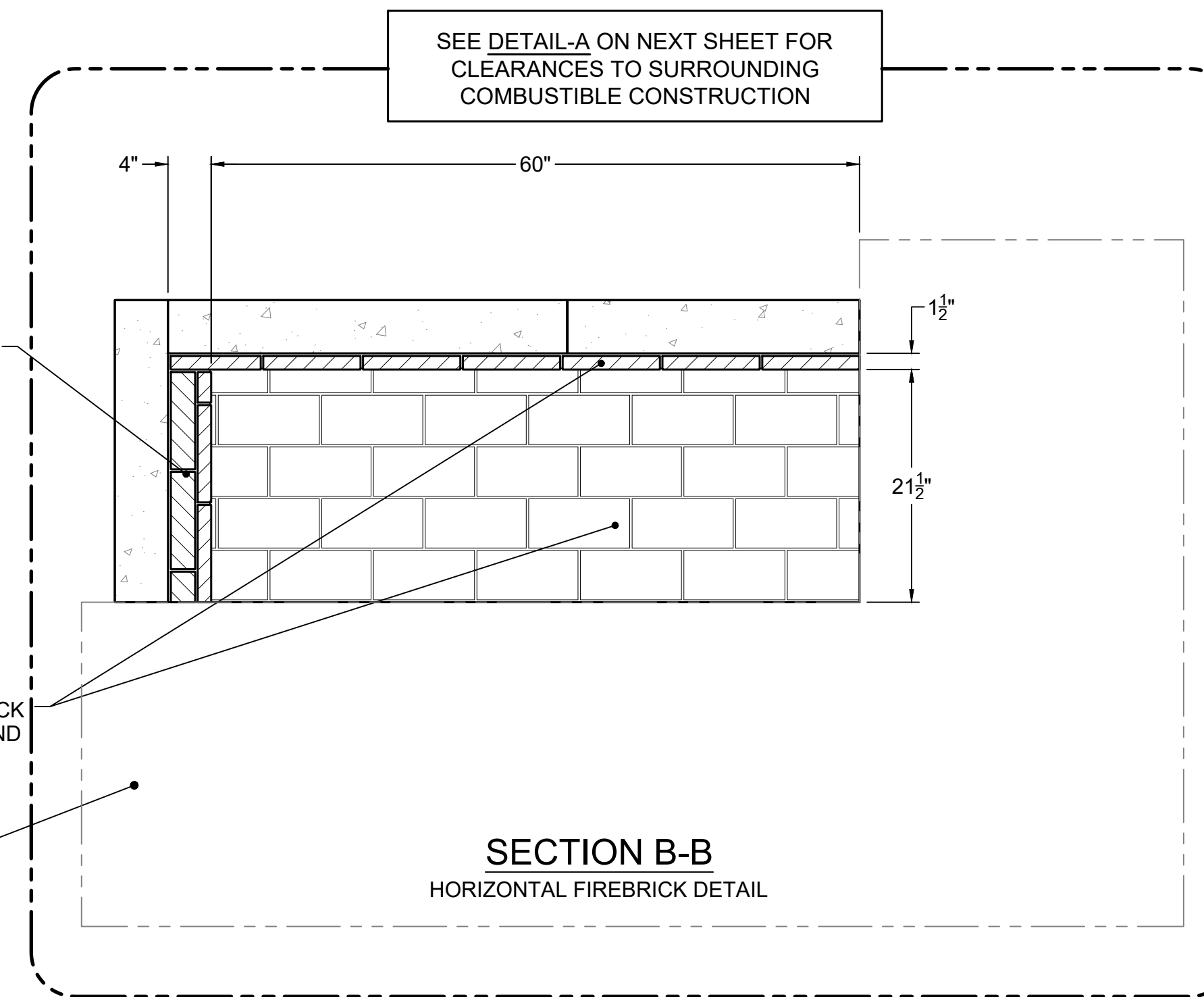


NOTE: IN ORDER TO SUPPORT THE SMOKE DOME OF THIS FIREBOX, A STRUCTURAL STEEL SUPPORT FRAME MUST BE DESIGNED AND APPROVED BY A STRUCTURAL ENGINEER. SMOKE DOME WEIGHT EXCLUDING MORTAR AND EXHAUST COMPONENTS IS 1,064 LBS.

	UNLESS OTHERWISE STATED, ALL DIMENSIONS ARE IN MILLIMETERS		PROJECT: <b>60" MAGNUM CORNER-RIGHT OPEN</b>		
	UNSPECIFIED TOLERANCES	THIRD ANGLE PROJECTION	DESCRIPTION: <b>FIREPLACE CONSTRUCTION DOCUMENT</b>		
ANG. X ±	X ±	X ±	MATERIAL: <b>E.C. PUMICE MIXTURE</b>	DATE: <b>7/19/2022</b>	SIZE: <b>D</b>
LIN. X ±	X ±	X ±	DRAWN: <b>K.B.H</b>	DATE: <b>7/19/2022</b>	SCALE: <b>1"=1'-0"</b>
XX ±	X ±	X ±	APPROVED:	DATE:	DRAWING #: <b>82060CR</b>
6899 Philips Industrial Blvd. Jacksonville, FL 32256			DO NOT SCALE	SHEET # <b>1</b> OF <b>2</b>	REV: <b>F</b>



TOP VIEW



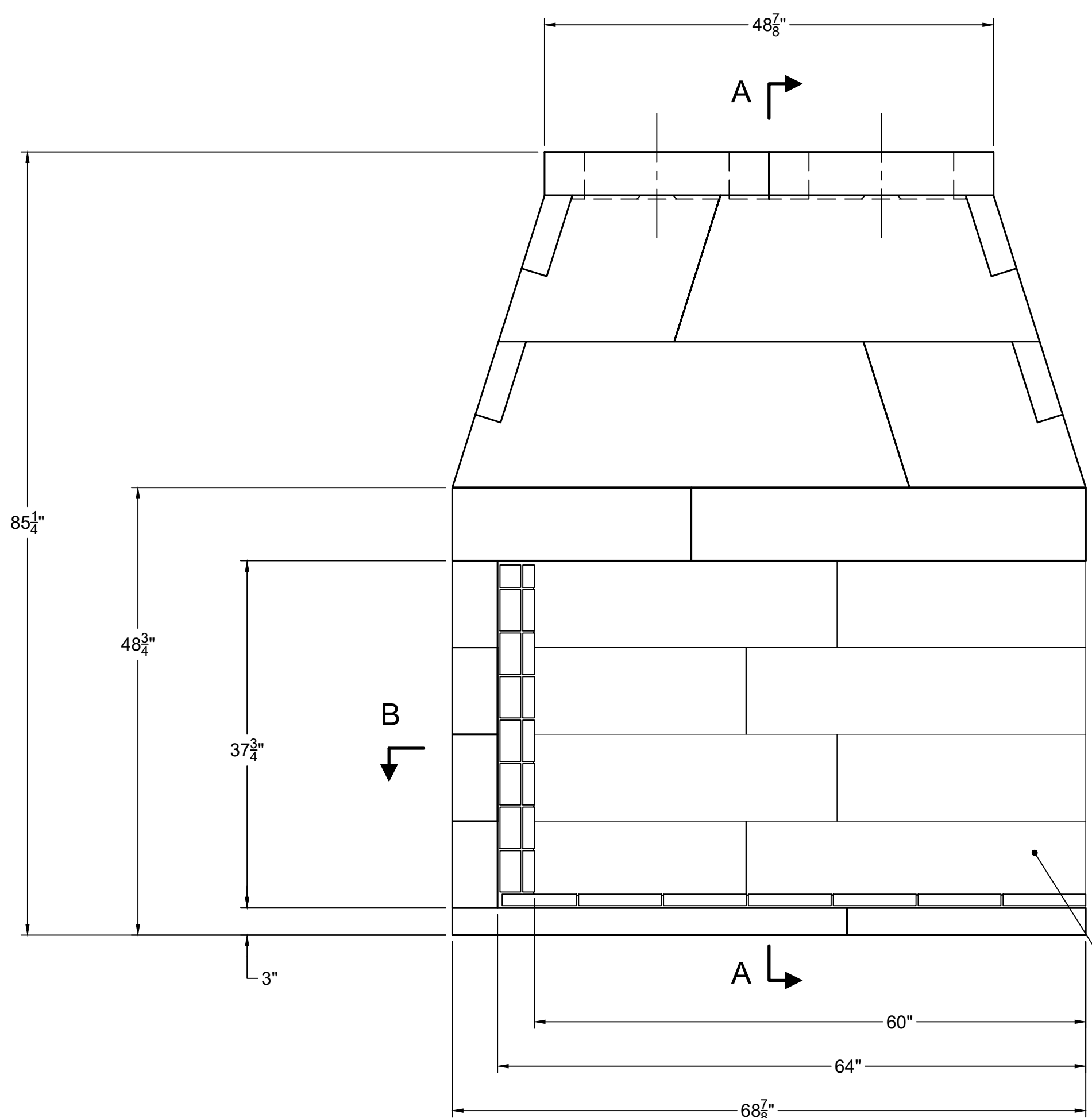
SECTION B-B  
HORIZONTAL FIREBRICK DETAIL

MINIMUM 4" THICK FIREBRICK THICKNESS REQUIRED ALONG SIDE WALLS OF FIREBOX.

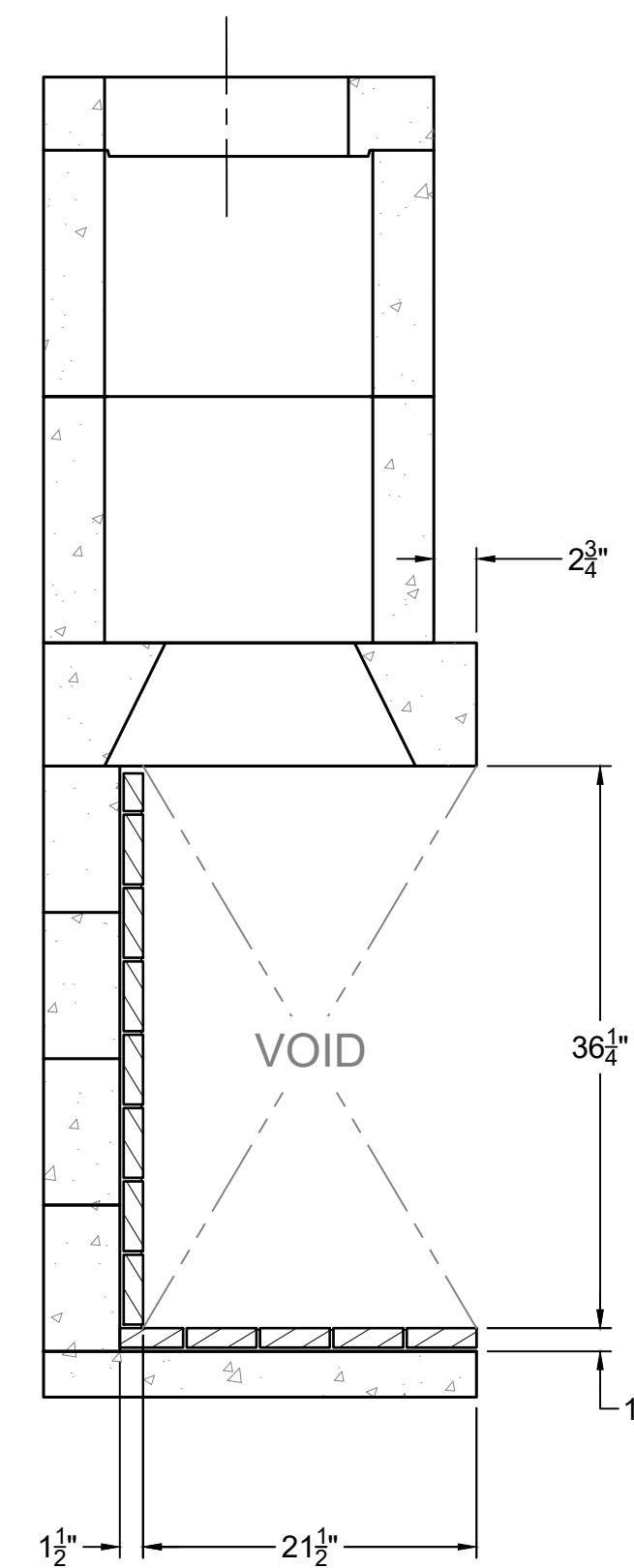
MINIMUM 1 1/2" THICK FIREBRICK REQUIRED ALONG FLOOR AND BACK WALLS OF FIREBOX.

ISOKERN FIREBOX AND NONCOMBUSTIBLE HEARTH EXTENSION SHALL BE SUPPORTED BY CONCRETE SLAB WITH NO COMBUSTIBLE UNDERPINNINGS.

HEARTH EXTENSION SHALL EXTEND A MINIMUM OF 30" TO THE FRONT AND 12" TO THE SIDES OF FIREBOX'S FINISHED OPENING.

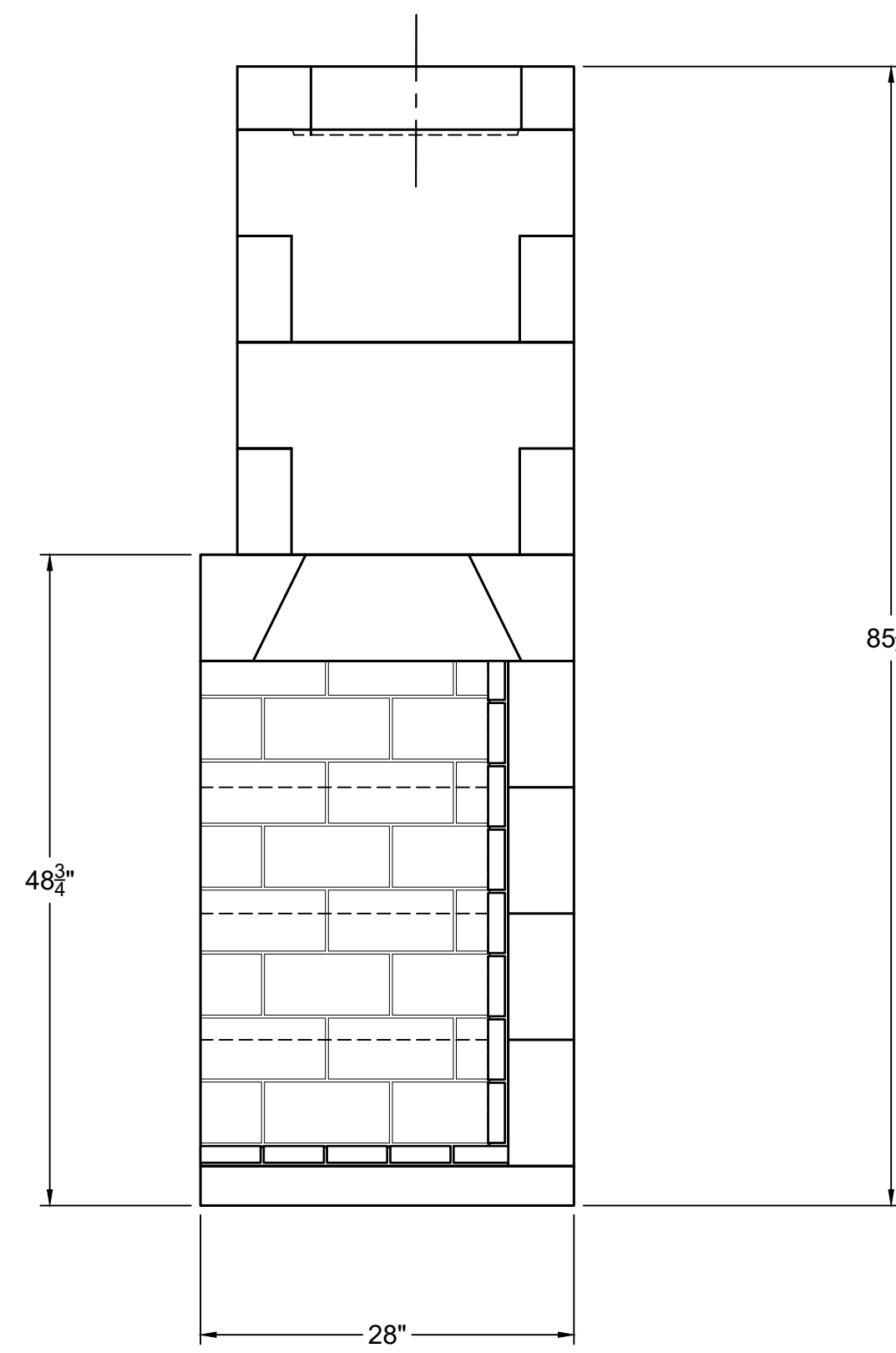


FRONT VIEW



SECTION A-A  
VERTICAL FIREBRICK DETAIL

FOR CLARITY, BRICK NOT SHOWN ALONG BACK WALL



RIGHT-SIDE VIEW

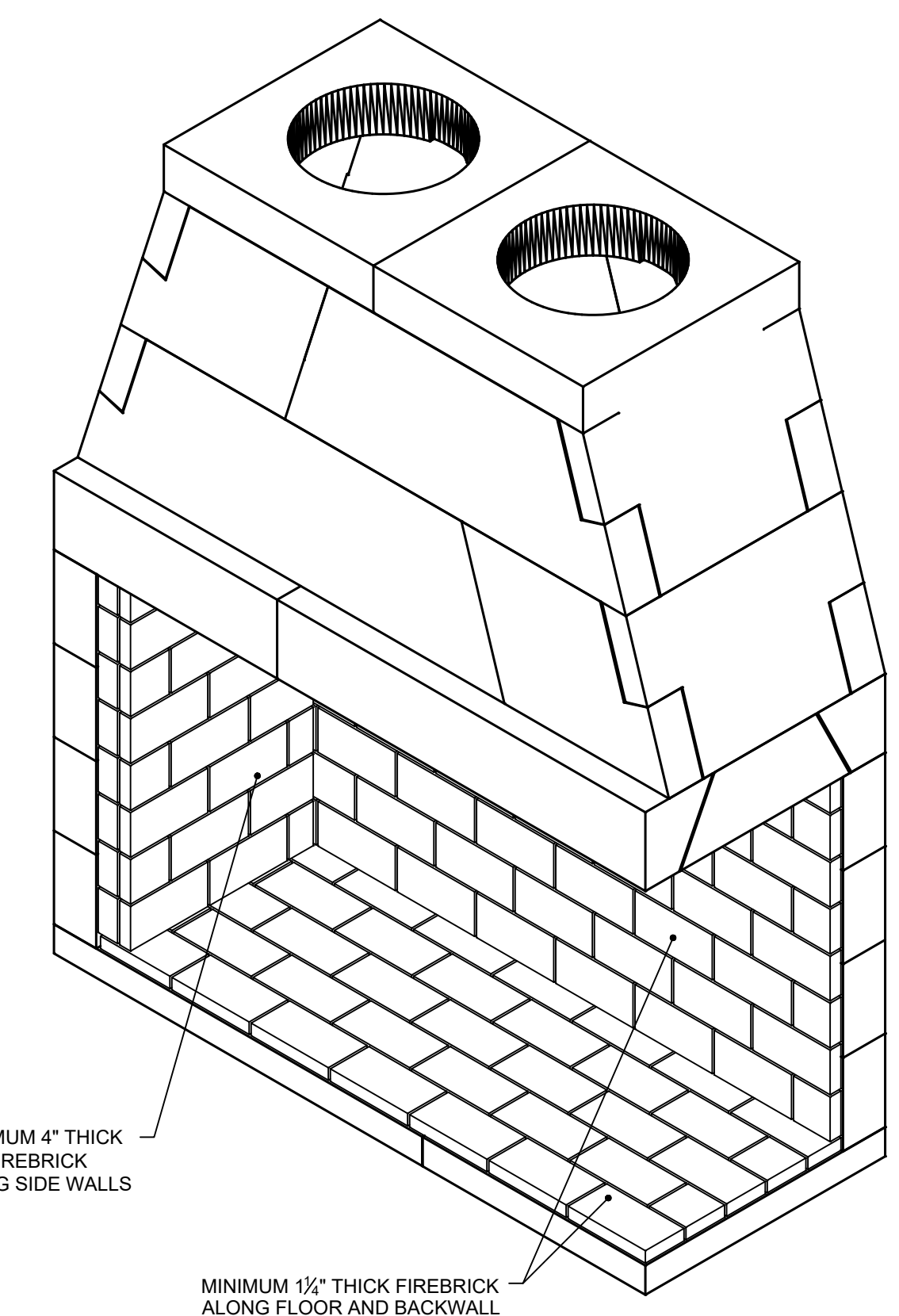


# FIREPLACE ORDER # : 82060CR

## GENERAL NOTES

1. THIS CUSTOM ISOKERN FIREPLACE CARRIES NO LISTING, UL OR OTHERWISE.
2. IN ORDER TO SUPPORT THE SMOKE DOME OF THIS FIREBOX, A STRUCTURAL STEEL SUPPORT FRAME MUST BE DESIGNED AND APPROVED BY A STRUCTURAL ENGINEER. SMOKE DOME WEIGHT EXCLUDING MORTAR AND EXHAUST COMPONENTS IS 1,064 LBS.
3. FIREPLACE SHALL BE INSTALLED WITH THE MINIMUM CLEARANCES TO COMBUSTIBLES AS LISTED BELOW. NOTE: HEARTH EXTENSION REQUIREMENTS AND ALL CLEARANCES AS MEASURED FROM OPENINGS SHALL APPLY TO ALL OPEN SIDES OF THE FIREPLACE :
  - SMOKE DOME FRONT AND ISOKERN CHIMNEY: 0"
  - SIDES AND REAR: 1.5"
  - COMBUSTIBLE SHEATHING ABOVE OPENING TOP: 24"
  - SHEATHING OR TRIM TO OPENING SIDES: 9"
  - MANTEL ABOVE OPENING: 24"
  - OPENING TO SIDEWALLS: 48"
  - HEARTH EXTENSION BEYOND FRONT: 30"
  - HEARTH EXTENSION BEYOND SIDES (FINISHED): 12"
  - COMBUSTIBLE FLOOR: NOT ALLOWED
  - INSULATION FROM FIREBOX (UNSHIELDED): 3"
4. THE FIREPLACE AND NONCOMBUSTIBLE HEARTH EXTENSION SHALL REST ATOP A NONCOMBUSTIBLE FLOORING SYSTEM WITH NO WOODEN UNDERPINNINGS.
5. MECHANICAL VENTILATION ASSISTANCE IS REQUIRED FOR THIS DESIGN. A MECHANICAL DRAFT COMPANY SHALL BE CONSULTED TO SPECIFY VENTILATION SYSTEM COMPONENTS/ CAPACITY BASED ON SPECIFIC INSTALLATION REQUIREMENTS.
6. IF YOU INSTALL A VENTED GAS LOG SET (DECORATIVE GAS APPLIANCE), THE LOG SET MUST COMPLY WITH THE STANDARD FOR DECORATIVE GAS APPLIANCE FOR INSTALLATION IN SOLID FUEL BURNING FIREPLACES, ANSI Z21.60 OR Z21.84 AND SHALL ALSO BE INSTALLED IN ACCORDANCE WITH THE NATIONAL FUEL GAS CODE, ANSI Z223/ NFPA 54; LATEST EDITION. IF YOU WISH TO INSTALL AN UNVENTED (VENT-FREE) GAS LOG SET, ONLY UNVENTED GAS LOG SETS WHICH HAVE BEEN FOUND TO COMPLY WITH THE STANDARD FOR UNVENTED ROOM HEATERS, ANSI Z21.11.2 ARE TO BE INSTALLED IN THIS FIREPLACE. CHECK LOCAL CODES FOR COMPLIANCE FOR UNVENTED (VENT FREE) GAS LOG SETS.
7. TWO 4" COMBUSTION AIR INLET KITS ARE RECOMMENDED BY EARTHORE FOR THE 60/72 MAGNUM SERIES FIREPLACES AND MAY HELP IMPROVE FIREPLACE OPERATION IN HOMES TIGHTLY SEALED AND WITH OTHER VENTILATING APPLIANCES INSTALLED. IF THE INSTALLATION IS TO BE LONGER THAN TEN FEET (10'), THEN THE SIX INCH (6") ADAPTER WILL BE NEEDED. THIS ADAPTER WILL ATTACH TO THE EXISTING FOUR INCH (4") SLEEVE OUTSIDE OF THE UNIT. THE SIX INCH ADAPTER INCLUDES AN ADDITIONAL TWENTY FEET OF 6" FLEX HOSE, FOR A MAXIMUM RUN OF THIRTY FEET (30').
8. DRAWINGS ARE FOR DESIGN PURPOSES ONLY AND ARE THE SOLE PROPERTY OF EARTHORE INDUSTRIES. ANY REPRODUCTION OR UNAUTHORIZED USE IS STRICTLY PROHIBITED.
9. EARTHORE/ ISOKERN OR ANY DIVISION THEREOF SHALL NOT BE HELD LIABLE FOR ANY INCIDENTAL OR CONSEQUENTIAL DAMAGES OR EXPENSES ARISING OUT OF THE USE OF THE FIREPLACES OR CHIMNEY SYSTEMS.
10. ALWAYS CHECK LOCAL BUILDING CODES GOVERNING FIREPLACES AND FIREPLACE INSTALLATIONS.

## ISOMETRIC VIEW (N.T.S)



NOTE: IN ORDER TO SUPPORT THE SMOKE DOME OF THIS FIREBOX, A STRUCTURAL STEEL SUPPORT FRAME MUST BE DESIGNED AND APPROVED BY A STRUCTURAL ENGINEER. SMOKE DOME WEIGHT EXCLUDING MORTAR AND EXHAUST COMPONENTS IS 1,064 LBS.

THIS WALL SHALL NOT BE LOCATED WITHIN 26" FROM SIDES OF FINISHED OPENING IF ANY PORTION IS OF COMBUSTIBLE MATERIAL.

COMBUSTIBLE SHEATHING (COMBUSTIBLE SHEATHING SHALL TERMINATE AT LEAST 9" FROM SIDES AND 24" FROM TOP OF FINISHED OPENING)

CODE REQUIRED NONCOMBUSTIBLE SURROUND MATERIAL.

COMBUSTIBLE STUD WALL (THE CLEARNCE FROM ISOKERN SIDE AND REAR WALLS SHALL BE INCREASED TO 3" IF INSULATION IS NOT SHIELDED)

CODE REQUIRED NONCOMBUSTIBLE SURROUND MATERIAL.

COMBUSTIBLE SHEATHING (COMBUSTIBLE SHEATHING SHALL TERMINATE AT LEAST 9" FROM SIDES AND 24" FROM TOP OF FINISHED OPENING)

THIS WALL SHALL NOT BE LOCATED WITHIN 48" FROM SIDES OF FINISHED OPENING IF ANY PORTION IS OF COMBUSTIBLE MATERIAL.

ISOKERN FIREBOX AND NONCOMBUSTIBLE HEARTH EXTENSION SHALL BE SUPPORTED BY CONCRETE SLAB WITH NO COMBUSTIBLE UNDERPINNINGS.

HEARTH EXTENSION SHALL EXTEND A MINIMUM OF 30" TO THE FRONT AND 12" TO THE SIDES OF FIREBOX'S FINISHED OPENING.

## DETAIL-A

		UNLESS OTHERWISE STATED, ALL DIMENSIONS ARE IN MILLIMETERS		PROJECT: 60" MAGNUM CORNER-RIGHT OPEN	
		THIRD ANGLE PROJECTION		DESCRIPTION: CLEARANCES TO COMBUSTIBLE CONSTRUCTION	
ANG.	X	±	MATERIAL:	E.C. PUMICE MIXTURE	SCALE: N.T.S.
LIN.	X	±	DRAWN:	K.B.H.	DATE: 7/19/2022
X	±	X	APPROVED:	DATE:	DRAWING #: 82060CR
XX	±	XX	DO NOT SCALE	SHEET # 2	OF 2

6899 Philips Industrial Blvd  
Jacksonville, FL 32256