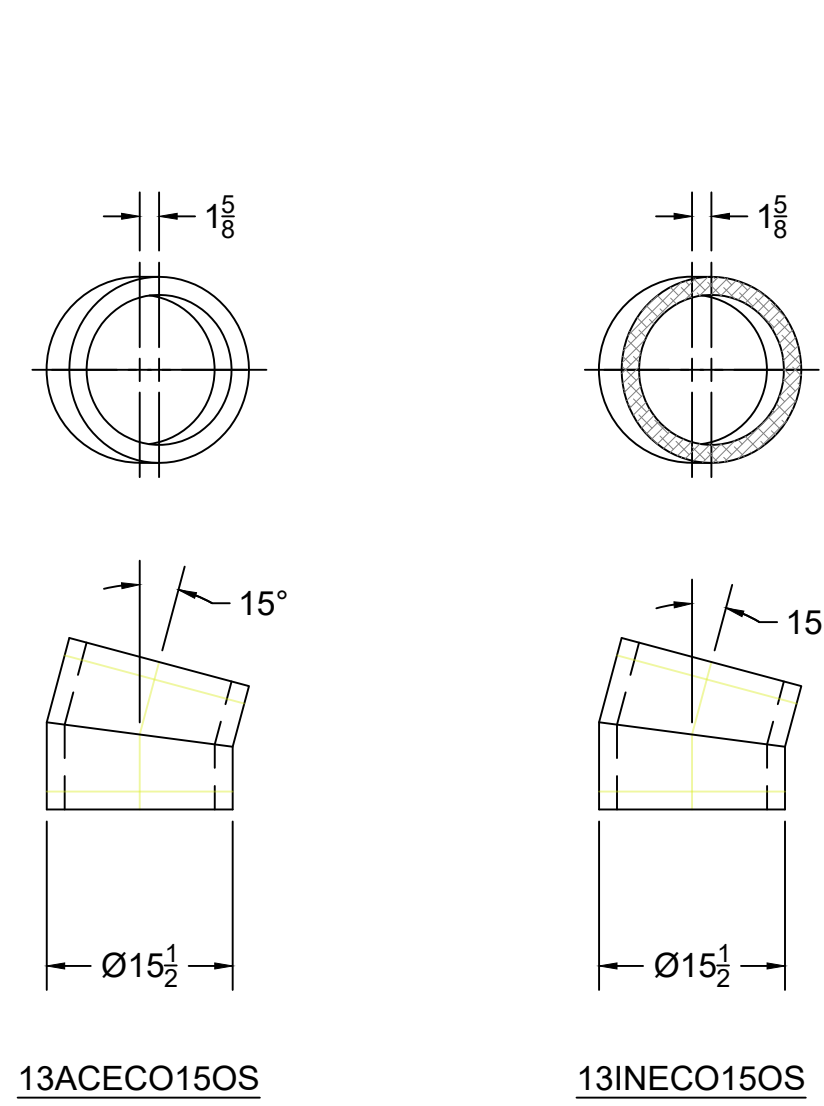


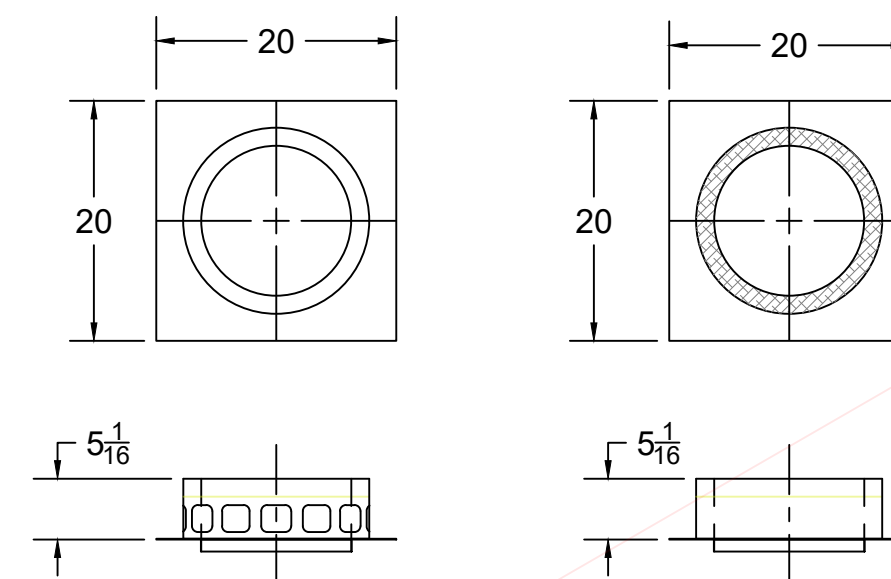
**ECOSTEEL AIR-COOLED STRAIGHT PIPE LENGTHS**

NOTE: ALL ECOSTEEL PIPE OVERLAPS 1-1/2" WHEN ASSEMBLED



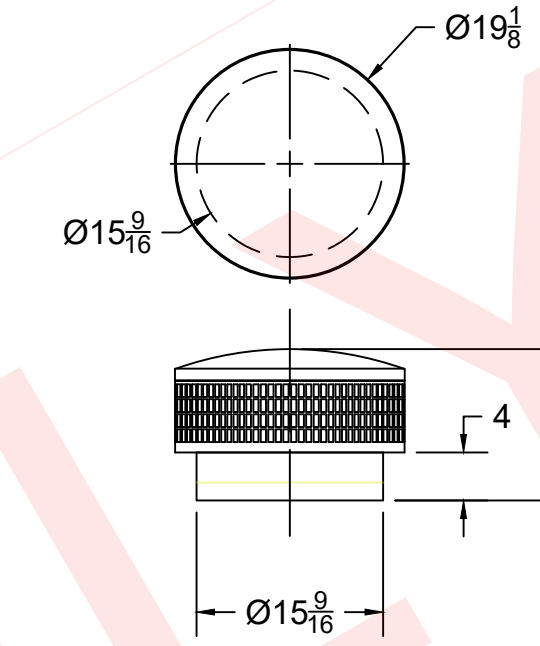
**ECOSTEEL AIR-COOLED 15° ELBOW**

**ECOSTEEL INSULATED 15° ELBOW**



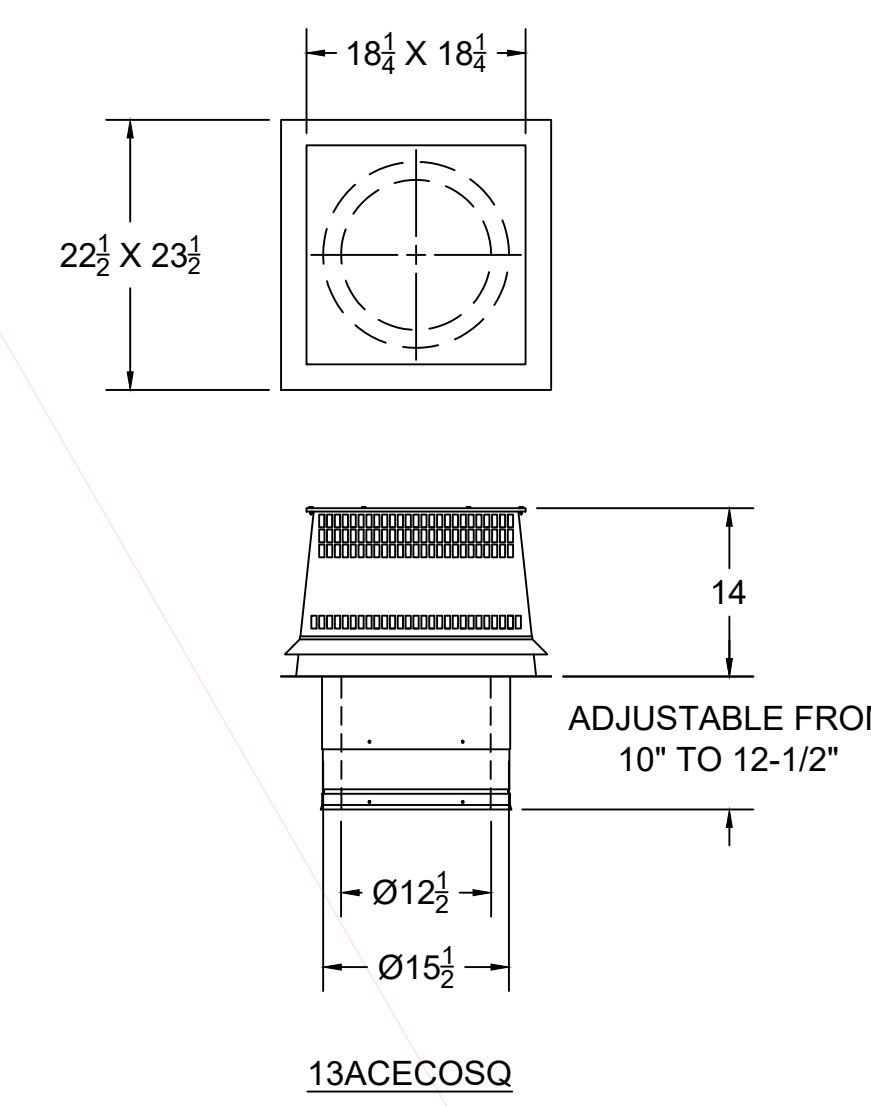
**ECOSTEEL AIR-COOLED ANCHOR PLATE**

**ECOSTEEL INSULATED ANCHOR PLATE**



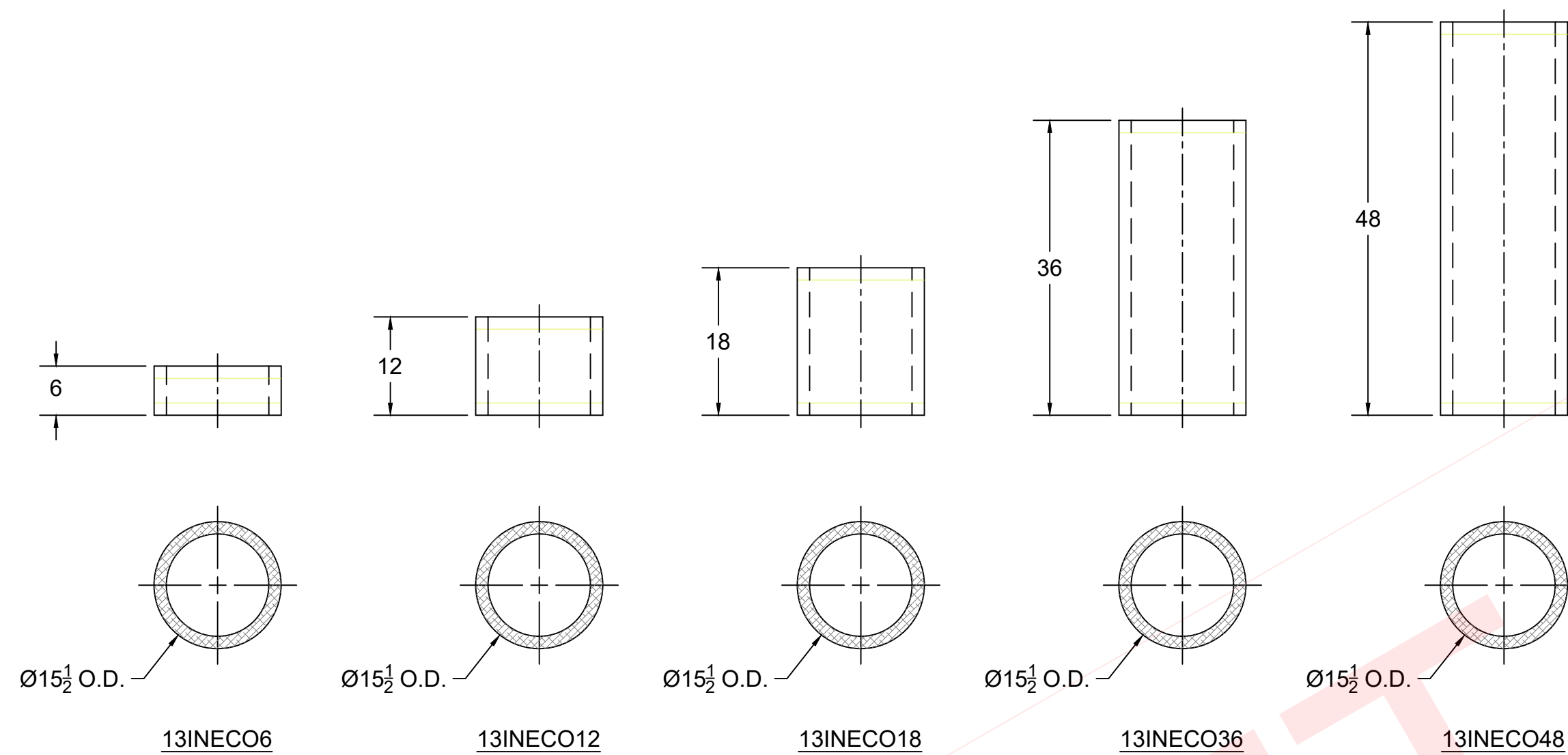
**ECOSTEEL CHIMNEY CAP**

NOTE: FOR USE WITH AIR-COOLED OR INSULATED ECOSTEEL PIPE



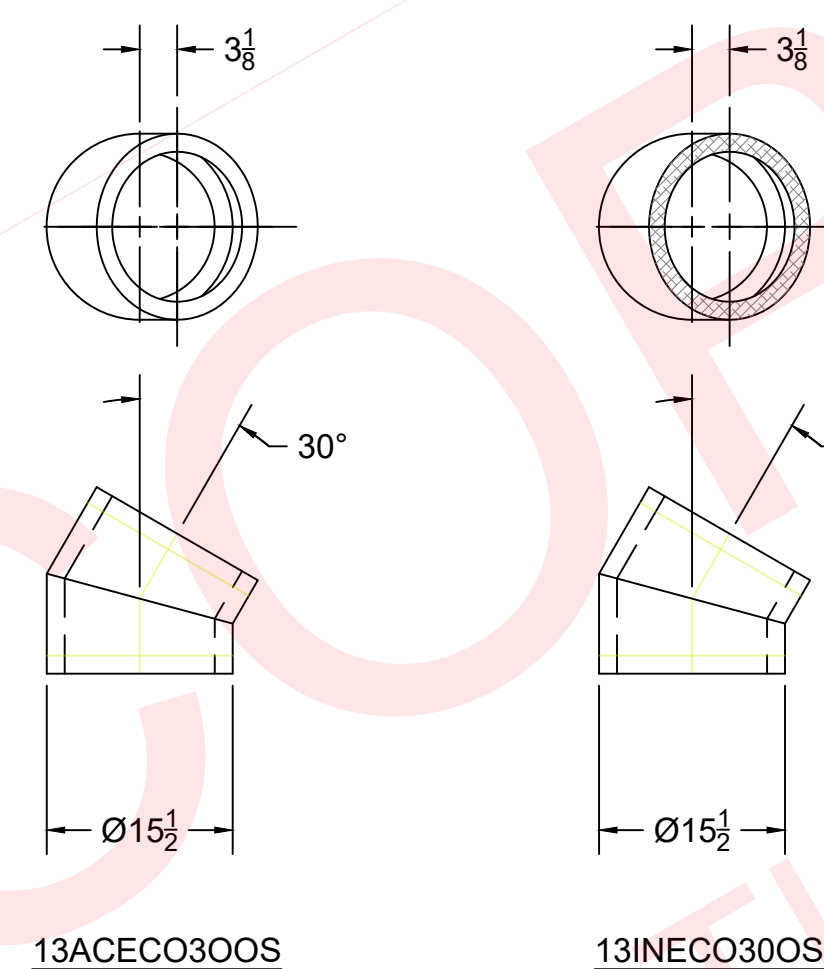
**ECOSTEEL SQUARE TERMINATION CAP**

NOTE: FOR USE WITH AIR-COOLED OR INSULATED ECOSTEEL PIPE



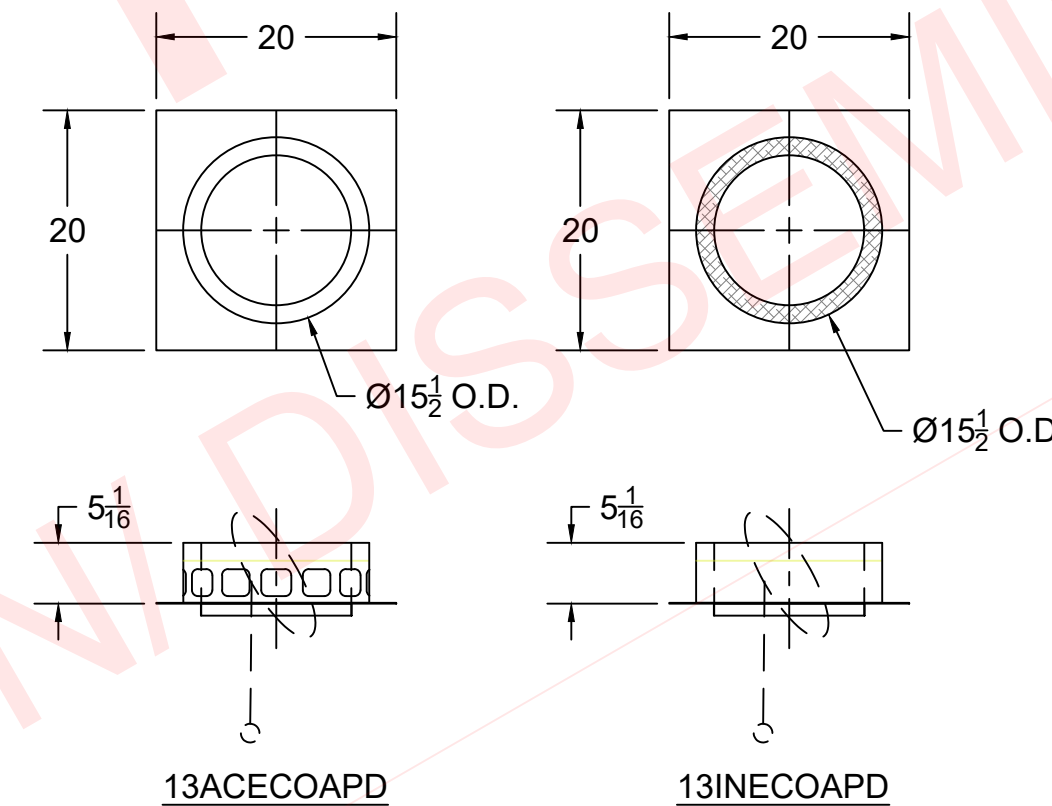
**ECOSTEEL INSULATED STRAIGHT PIPE LENGTHS**

NOTE: ALL ECOSTEEL PIPE OVERLAPS 1-1/2" WHEN ASSEMBLED



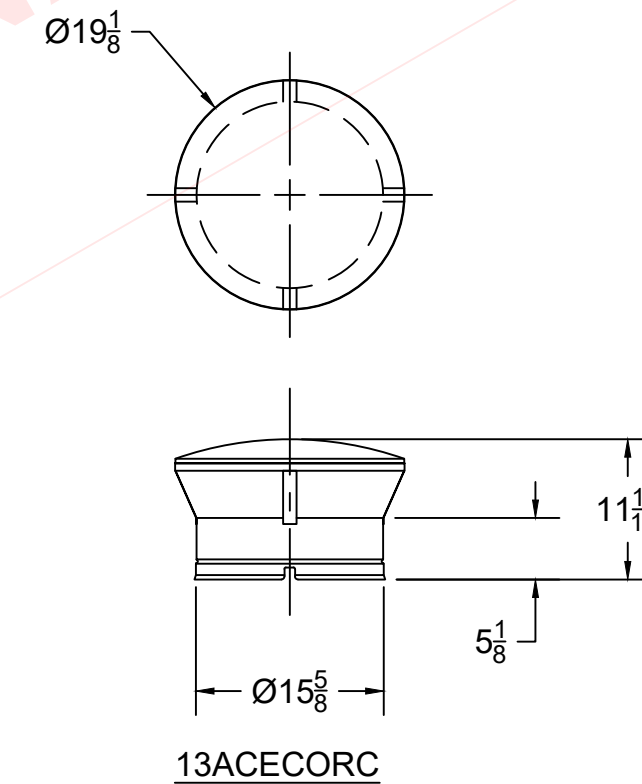
**ECOSTEEL AIR-COOLED 30° ELBOW**

**ECOSTEEL INSULATED 30° ELBOW**



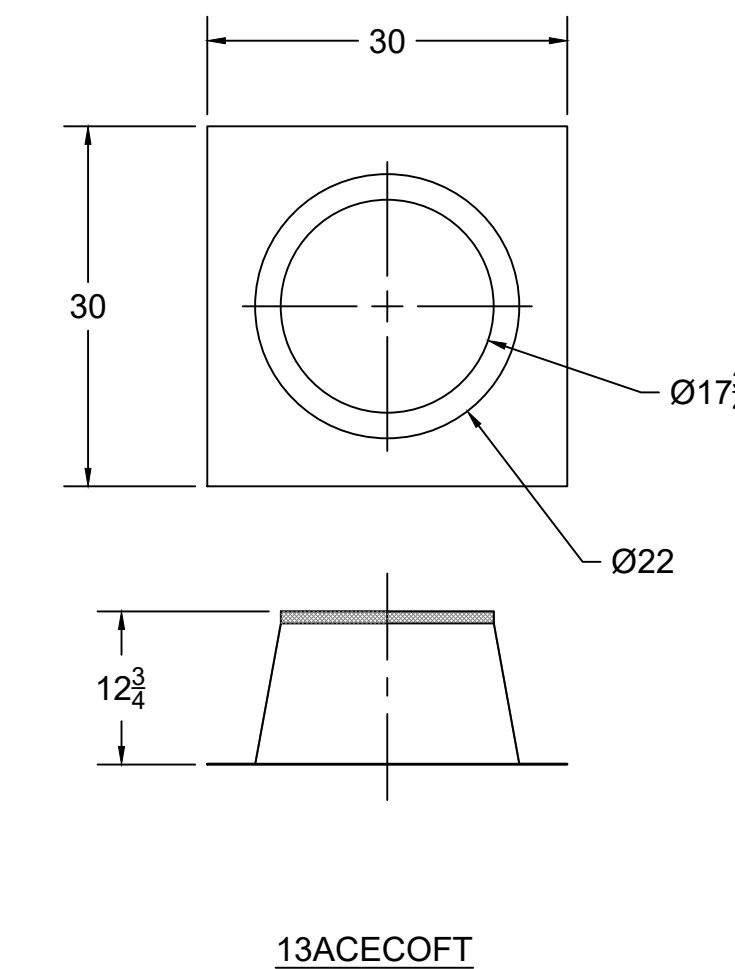
**ECOSTEEL AIR-COOLED ANCHOR PLATE W/ DAMPER**

**ECOSTEEL INSULATED ANCHOR PLATE W/ DAMPER**



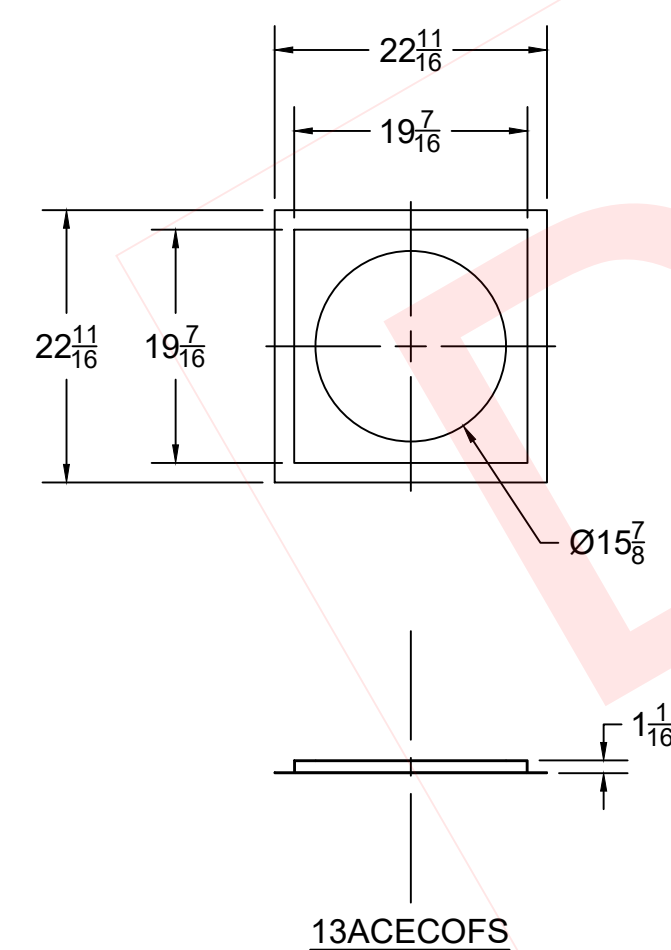
**ECOSTEEL RAIN CAP**

NOTE: FOR USE WITH AIR-COOLED OR INSULATED ECOSTEEL PIPE  
NOTE: REQUIRED FOR SHROUD INSTALLATIONS



**ECOSTEEL TALL CONE FLASHING**

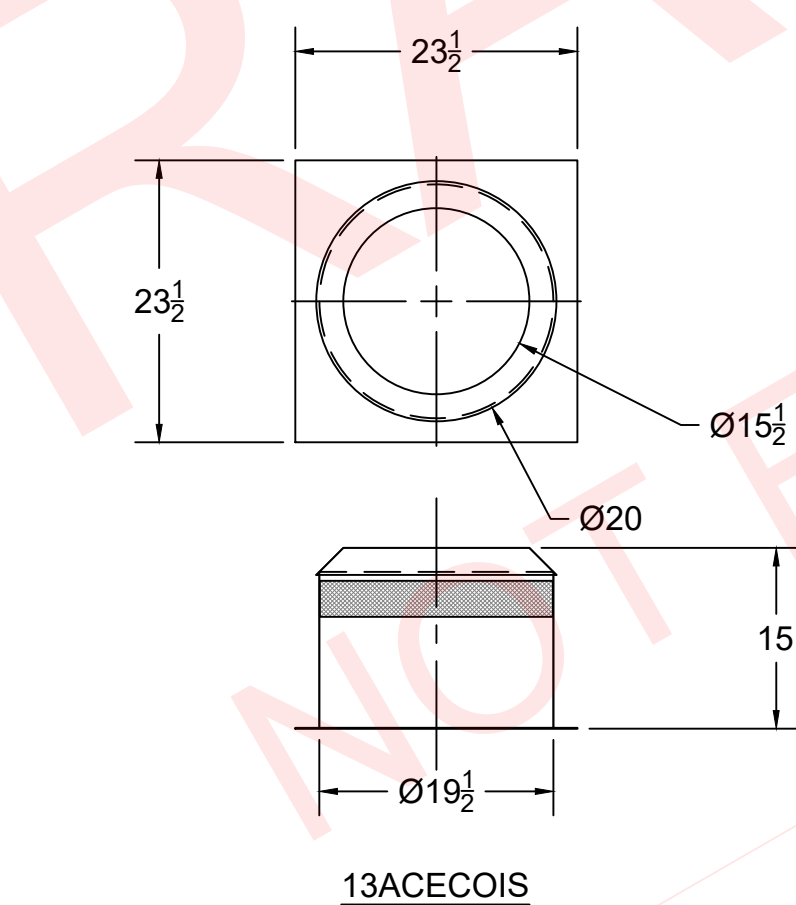
NOTE: FOR USE WITH AIR-COOLED OR INSULATED ECOSTEEL PIPE



**ECOSTEEL FIRESTOP**

NOTE: FOR USE WITH AIR-COOLED OR INSULATED ECOSTEEL PIPE

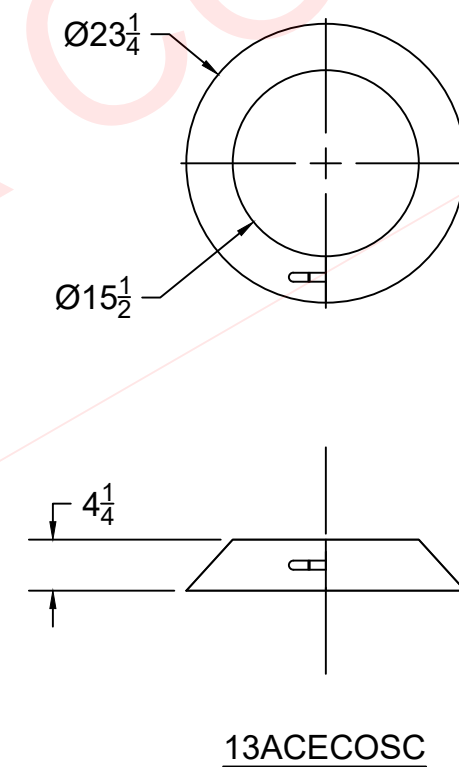
NOTE: REQUIRED AT EVERY FLOOR/ CEILING PENETRATION (EXCLUDING ROOF)



**ECOSTEEL ATTIC INSULATION SHIELD**

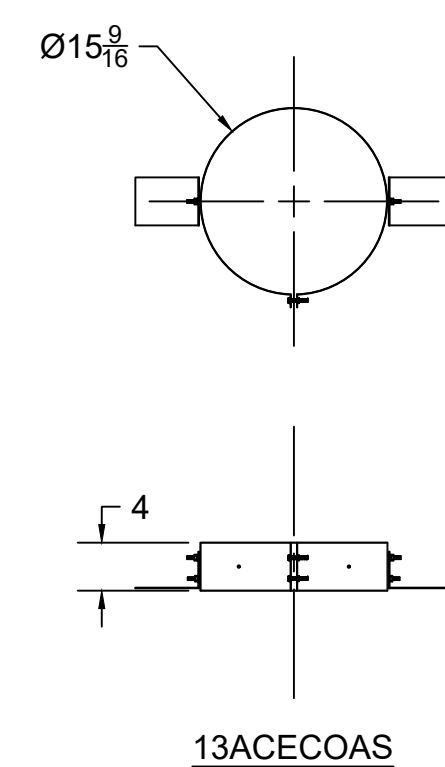
NOTE: FOR USE WITH AIR-COOLED OR INSULATED ECOSTEEL PIPE

NOTE: REQUIRED ANY TIME FLUE PASSES IN ATTIC WHETHER INSULATION IS PRESENT OR NOT



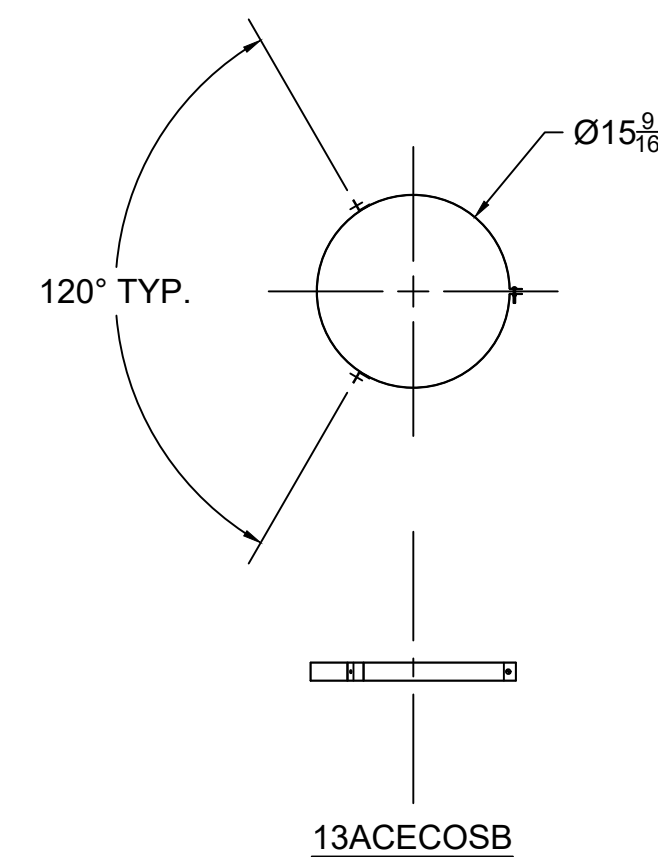
**ECOSTEEL STORM COLLAR**

NOTE: FOR USE WITH AIR-COOLED OR INSULATED ECOSTEEL PIPE



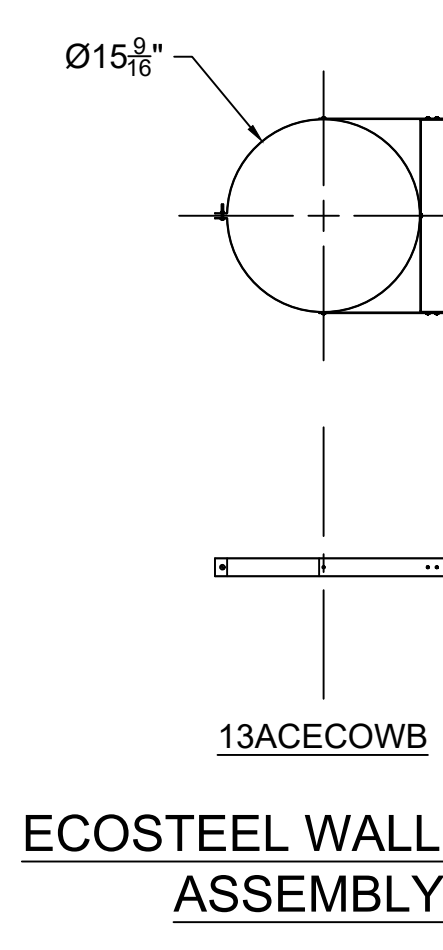
**ECOSTEEL ADJUSTABLE SUPPLEMENTARY SUPPORT**

NOTE: FOR USE WITH AIR-COOLED OR INSULATED ECOSTEEL PIPE  
NOTE: REQUIRED WHENEVER CHIMNEY HEIGHT EXCEEDS 50' (NOTE: MAX. HEIGHT OF NATURALLY DRAFTED ECOSTEEL IS 60')



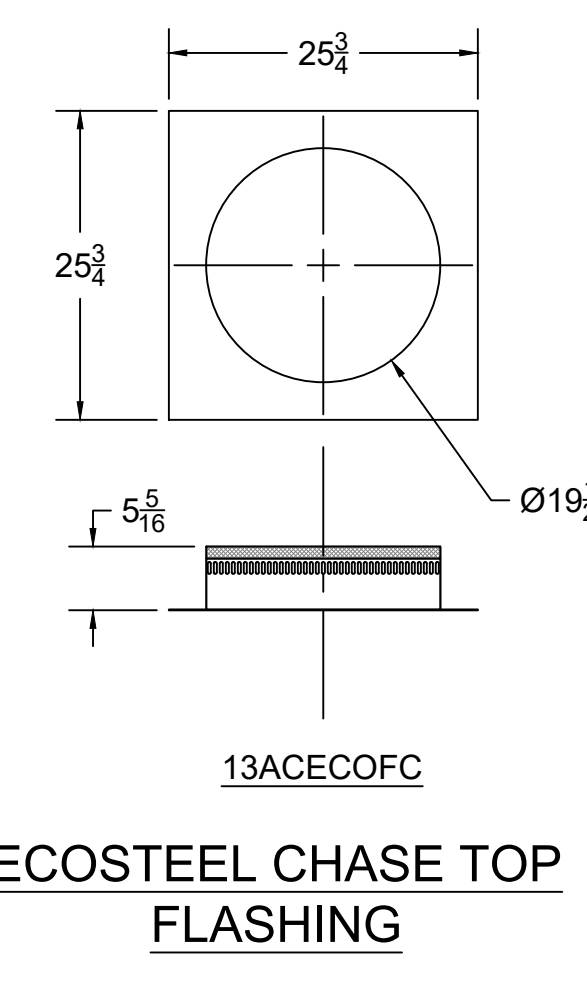
**ECOSTEEL SUPPORT BAND ASSEMBLY**

NOTE: FOR USE WITH AIR-COOLED OR INSULATED ECOSTEEL PIPE  
NOTE: REQUIRED AT 4' INTERVALS BETWEEN ELBOWS; MAY BE REQUIRED TO MAINTAIN VERTICAL ORIENTATION OF FLUE RUNS



**ECOSTEEL WALL BAND ASSEMBLY**

NOTE: FOR USE WITH AIR-COOLED OR INSULATED ECOSTEEL PIPE  
NOTE: REQUIRED AT 8' INTERVALS TO PROVIDE LATERAL STABILITY



**ECOSTEEL CHASE TOP FLASHING**

NOTE: FOR USE WITH AIR-COOLED OR INSULATED ECOSTEEL PIPE

	UNLESS OTHERWISE STATED, ALL DIMENSIONS ARE IN INCHES		PROJECT: <b>ECOSTEEL</b>	
	ANG. 1/4 ±	THIRD ANGLE PROJECTION	DESCRIPTION: <b>ECOSTEEL AIR-COOLED AND INSULATED COMPONENTS</b>	
LIN. X ±		DRAWN: [Signature]	DATE: 12/13/2022	SIZE: <b>D</b>
XX ±		APPROVED: [Signature]	DATE:	SCALE: <b>N.T.S.</b>
XXX ±				DRAWING #: [Blank]
				REV: <b>B</b>