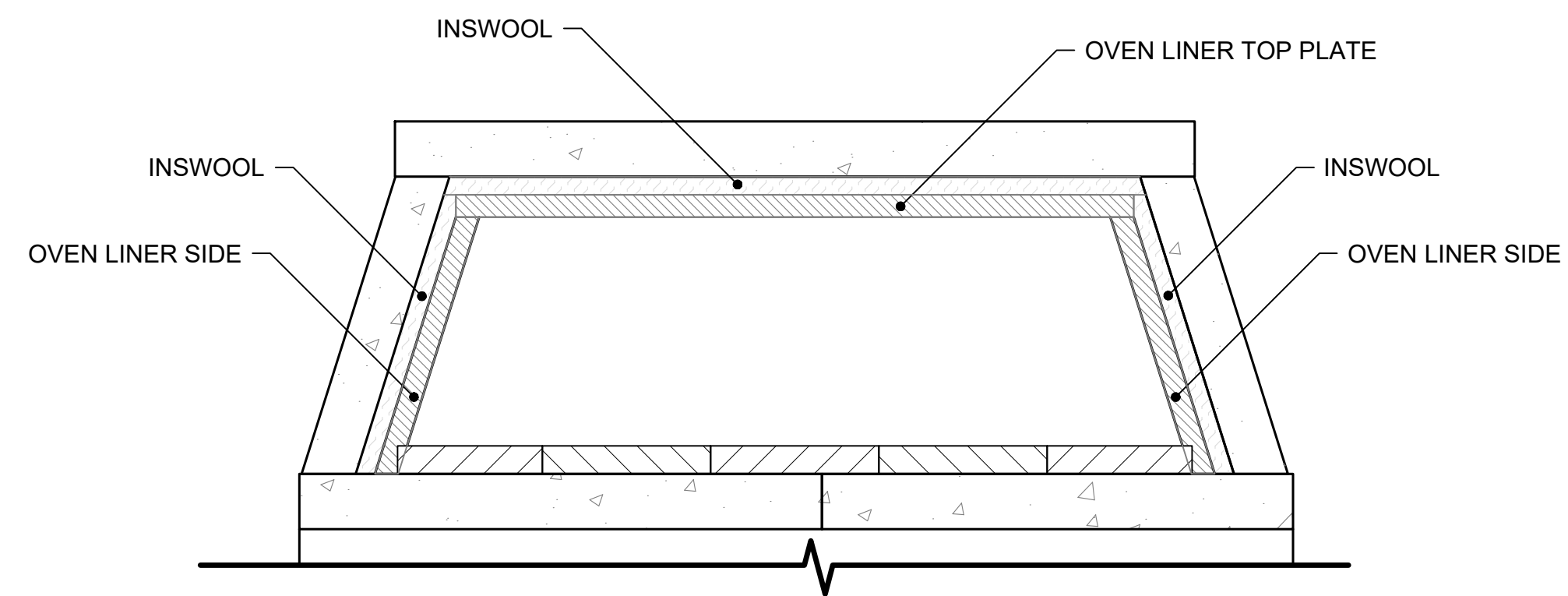
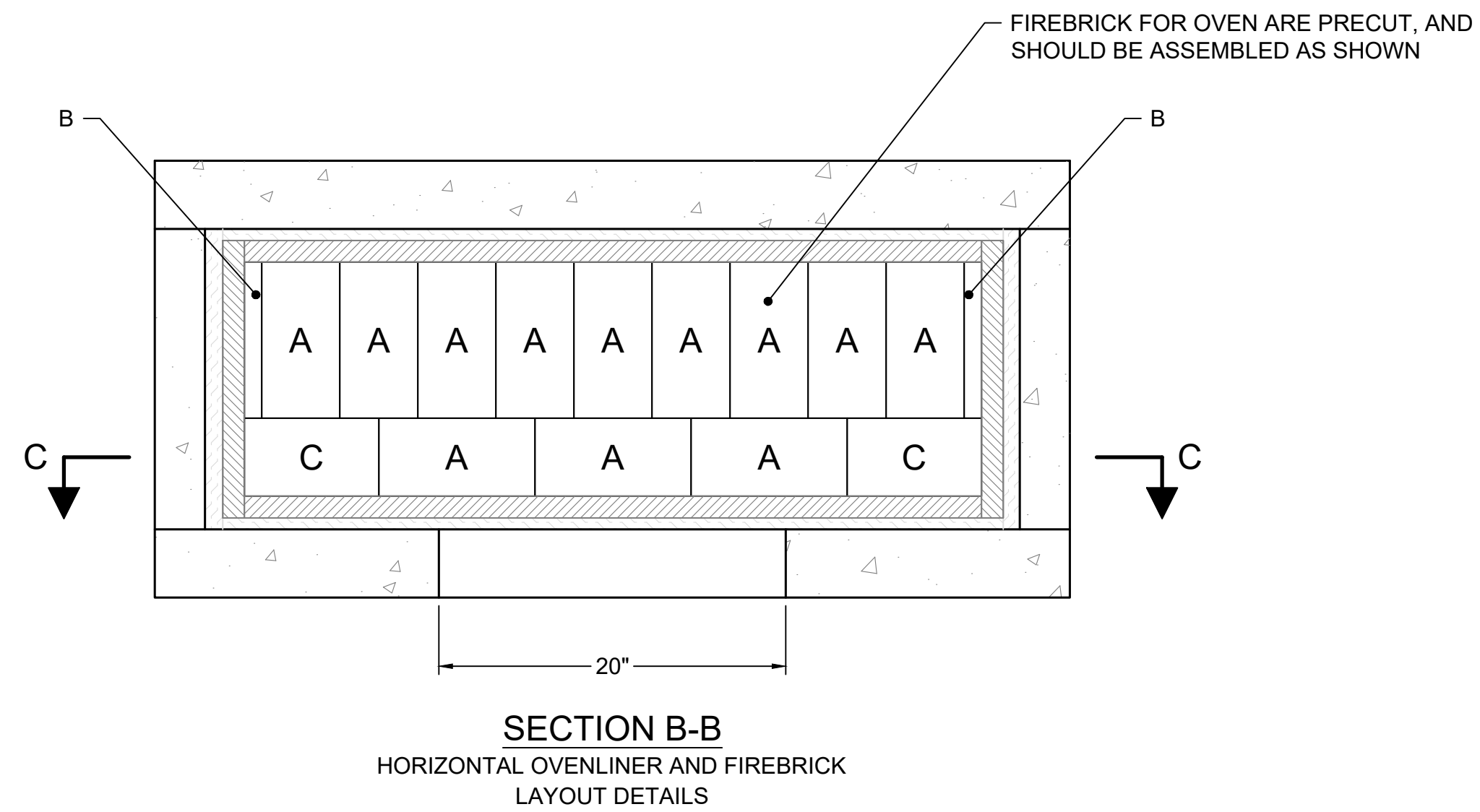


TOP VIEW
NOTE: SHELVES SHOWN AT MAXIMUM OVERHANG WITHOUT ADDITIONAL SUPPORT

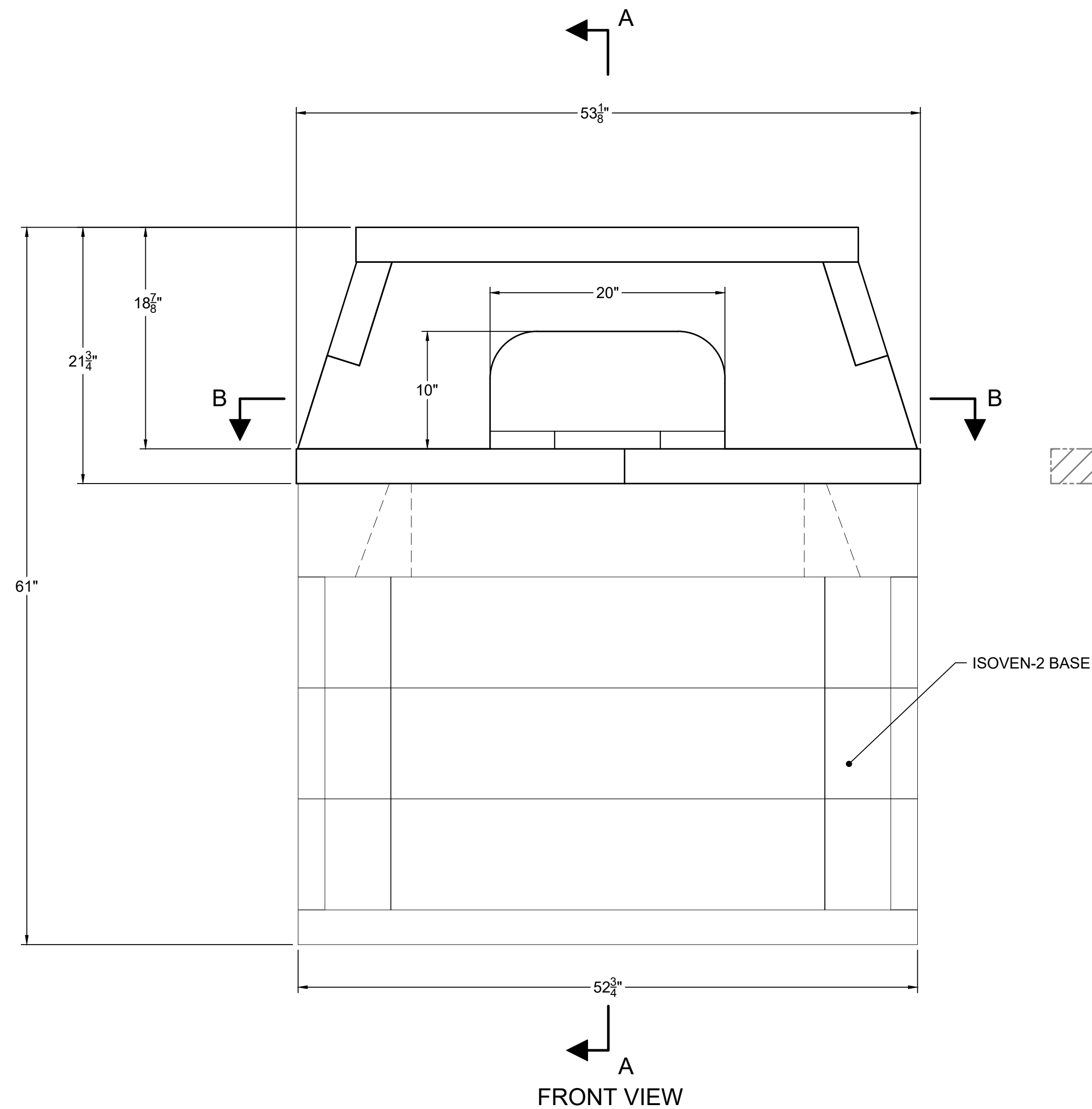
SHELVES REQUIRE CUTTING IN FIELD. MAXIMUM OVERHANG WITHOUT ADDITIONAL SUPPORT IS 9" PAST FRONT EDGE OF ISOVEN-2 BASE. IF A LONGER EXTENSION IS PREFERRED, ADDITIONAL SUPPORT IS NECESSARY.

FIREBRICK DETAILS				
PART #	LENGTH	WIDTH	THICKNESS	QTY.
A	9 1/2"	4 1/2"	1 1/4"	12
B	9 1/2"	1"	1 1/4"	2
C	7 3/4"	5 1/2"	1 1/4"	2

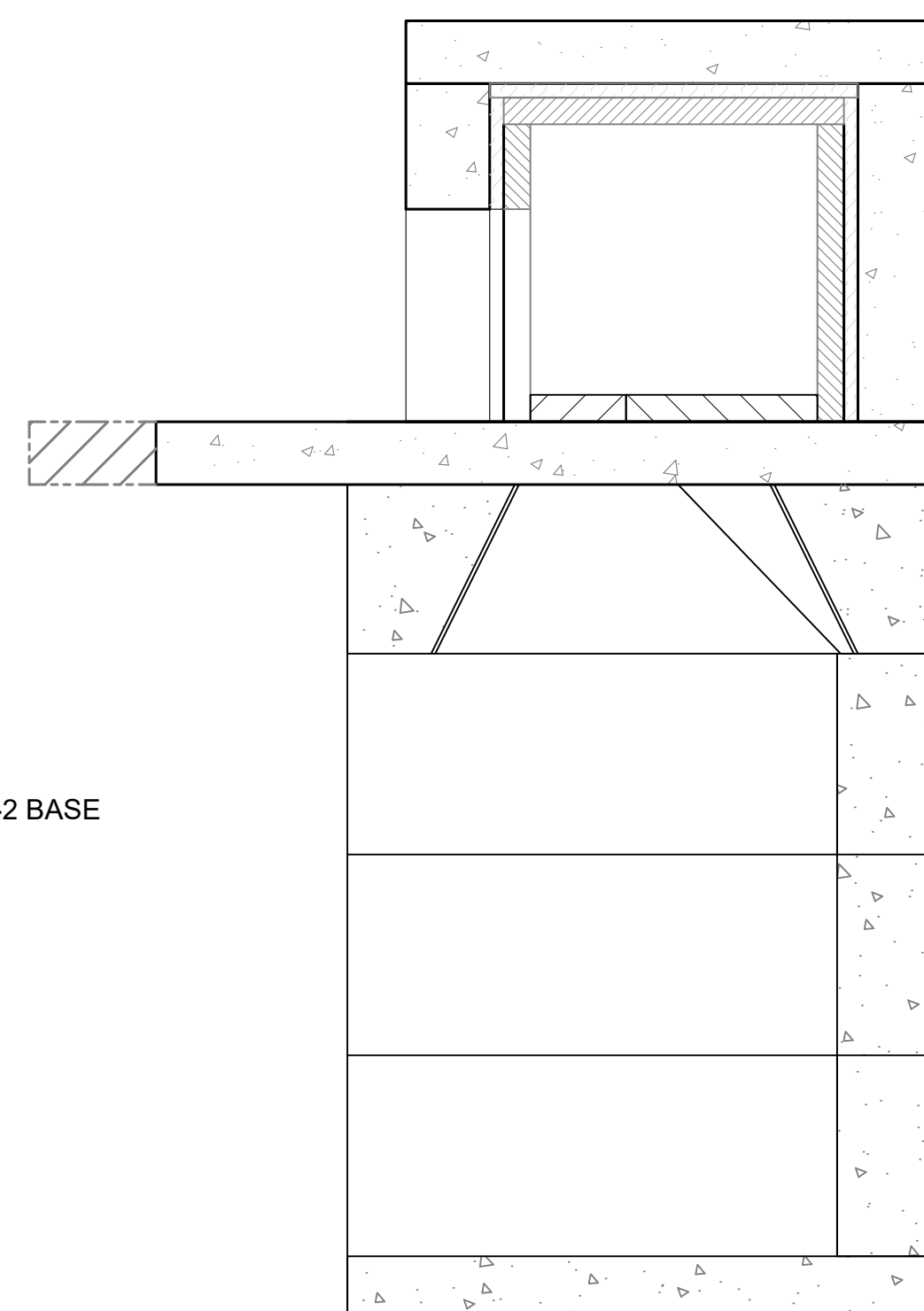


SECTION C-C
VERTICAL OVENLINER AND FIREBRICK LAYOUT DETAILS

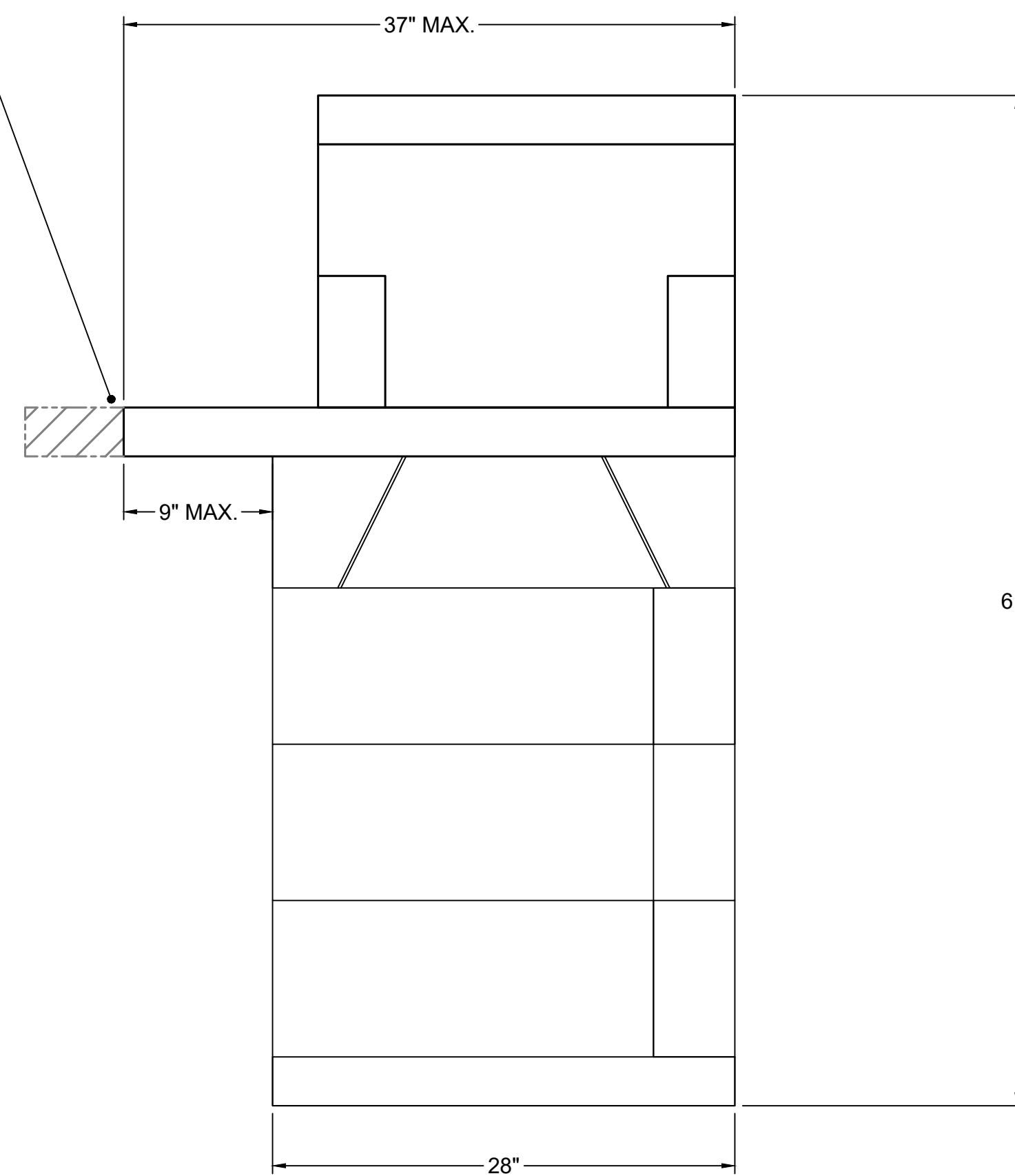
SHELVES REQUIRE CUTTING IN FIELD. MAXIMUM OVERHANG WITHOUT ADDITIONAL SUPPORT IS 9" PAST FRONT EDGE OF UNIT BASE. IF A LONGER EXTENSION IS PREFERRED, ADDITIONAL SUPPORT IS NECESSARY.



FRONT VIEW



SECTION A-A
VERTICAL SECTION



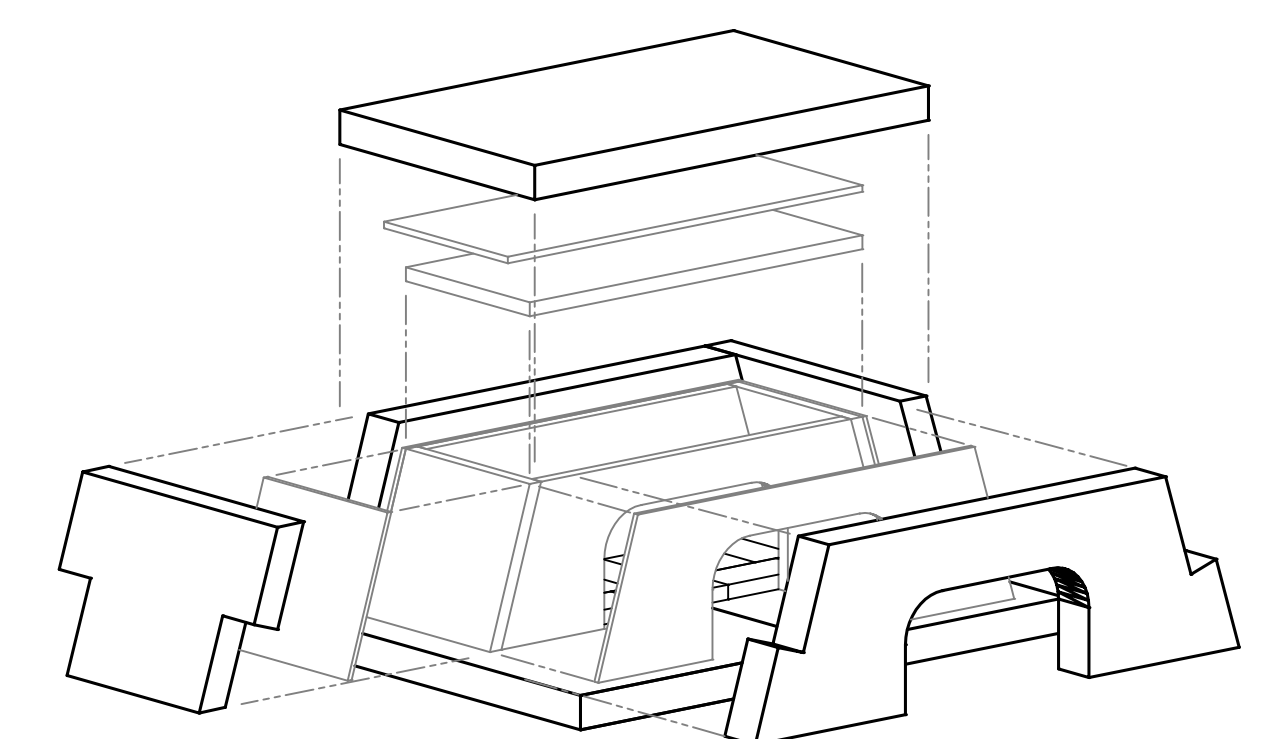
RIGHT-SIDE VIEW



COMPONENT LIST		
PART #	DESCRIPTION	QTY.
ISOVEN-1	ISOVEN TABLE TOP VERSION	1
ISOVEN-2	OPTIONAL BASE	1

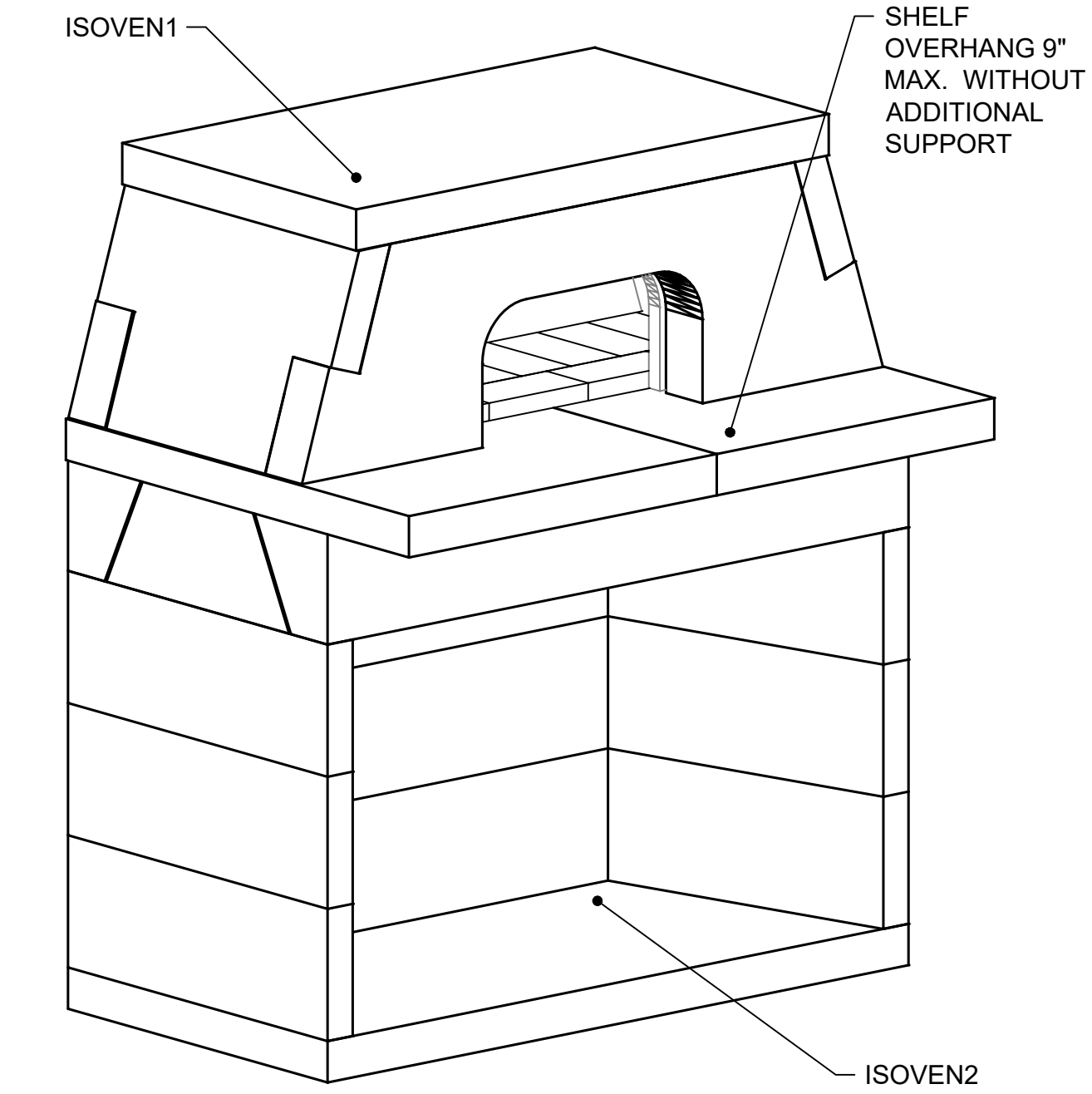
- GENERAL NOTES**
1. THE ISOVEN WOOD FIRED OVEN IS INTENDED TO BURN SOLID WOOD FUEL.
 2. THIS WOOD FIRED OVEN IS NOT DESIGNED TO SIT DIRECTLY ON A COMBUSTIBLE FLOOR SYSTEM.
 3. THIS WOOD FIRED OVEN IS NOT INTENDED FOR INDOOR USE. ISOVEN WOOD FIRED OVENS ARE INTENDED FOR USE IN AN OUTDOOR SITUATION WHERE A TRADITIONAL, MASONRY PIZZA/BREAD OVEN WOULD BE UTILIZED.
 4. THE USE OF A VENTING SYSTEM IS OPTIONAL WITH THE ISOVEN. THE ISOVEN IS DESIGNED TO VENT FROM THE FRONT OF THE OVEN, HOWEVER, THE INSTALLATION OF A FRONT ANCHORED VENT IS ACCEPTABLE.
 5. OVER-FIRING, ABUSIVE BURNING OR MISTREATMENT WILL VOID ANY CLAIMS (EG. BURNING CONSTRUCTION DEBRIS OR OTHER HIGHLY FLAMMABLE MATERIAL; TOSSING, KICKING OR OTHERWISE FORCING LOGS INTO THE OVEN).
 6. ISOVEN WOOD FIRED OVENS ARE UNIQUE OUTDOOR WOOD FIRED OVENS.
 7. ENSURE THAT THE ISOVEN WOOD FIRED OVEN IS INSTALLED PER INSTALLATION MANUAL SPECIFICATIONS.
 8. DRAWINGS ARE FOR DESIGN PURPOSES ONLY AND ARE THE SOLE PROPERTY OF EARTHCORE INDUSTRIES. ANY REPRODUCTION OR UNAUTHORIZED USE IS STRICTLY PROHIBITED.
 9. EARTHCORE/ ISOKERN OR ANY DIVISION THEREOF SHALL NOT BE HELD LIABLE FOR ANY INCIDENTAL OR CONSEQUENTIAL DAMAGES OR EXPENSES ARISING OUT OF THE USE OF THE FIREPLACES OR CHIMNEY SYSTEMS.
 10. ALWAYS CHECK LOCAL BUILDING CODES GOVERNING FIREPLACES AND FIREPLACE INSTALLATIONS.

ISOVEN-1 EXPLODED ASSEMBLY (N.T.S)

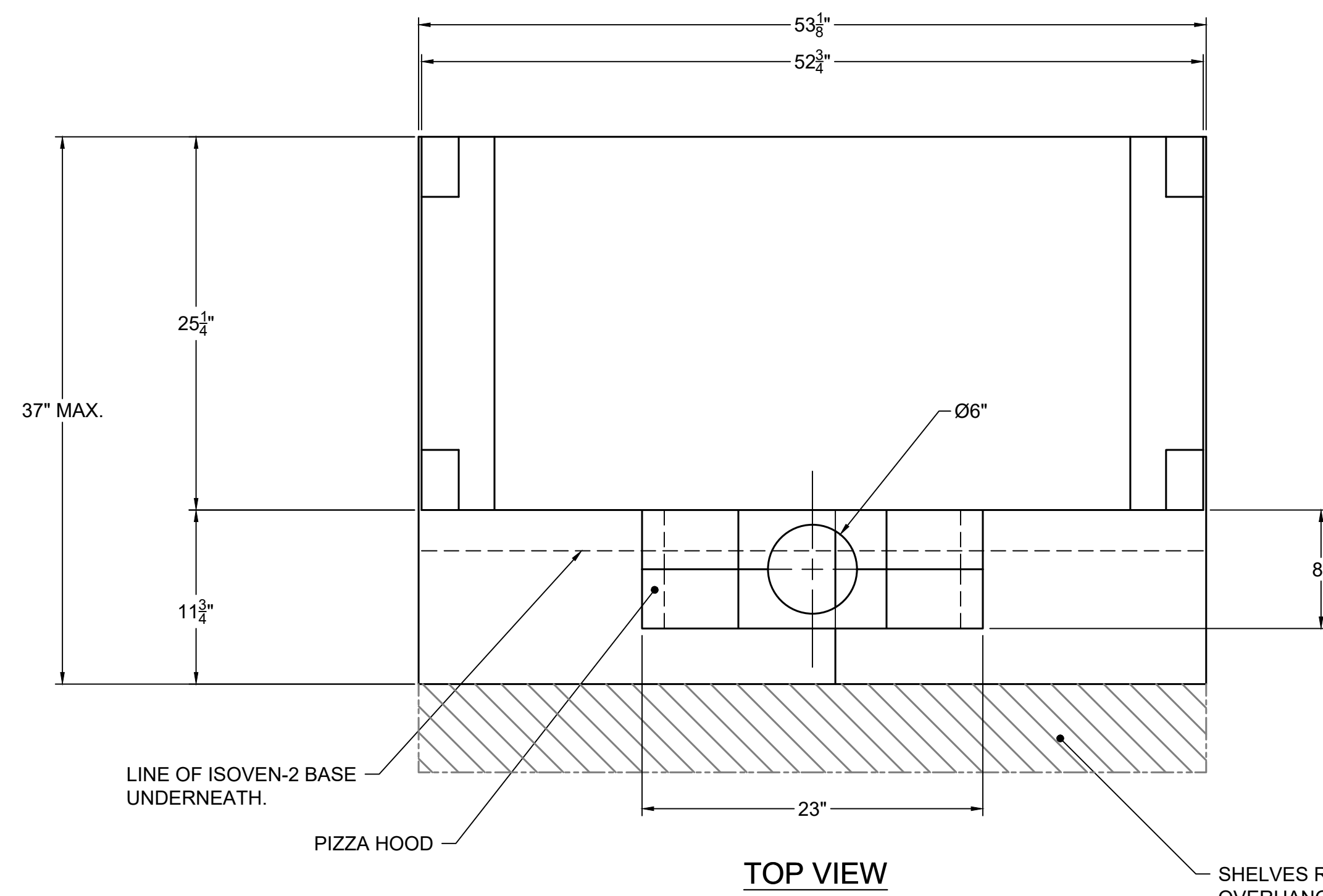


IMPORTANT: INSWOOL IS REQUIRED BETWEEN ISOKERN COMPONENTS AND OVEN LINER. DO NOT MORTAR OVEN LINER OR INSWOOL TO ISOKERN MATERIAL!!!

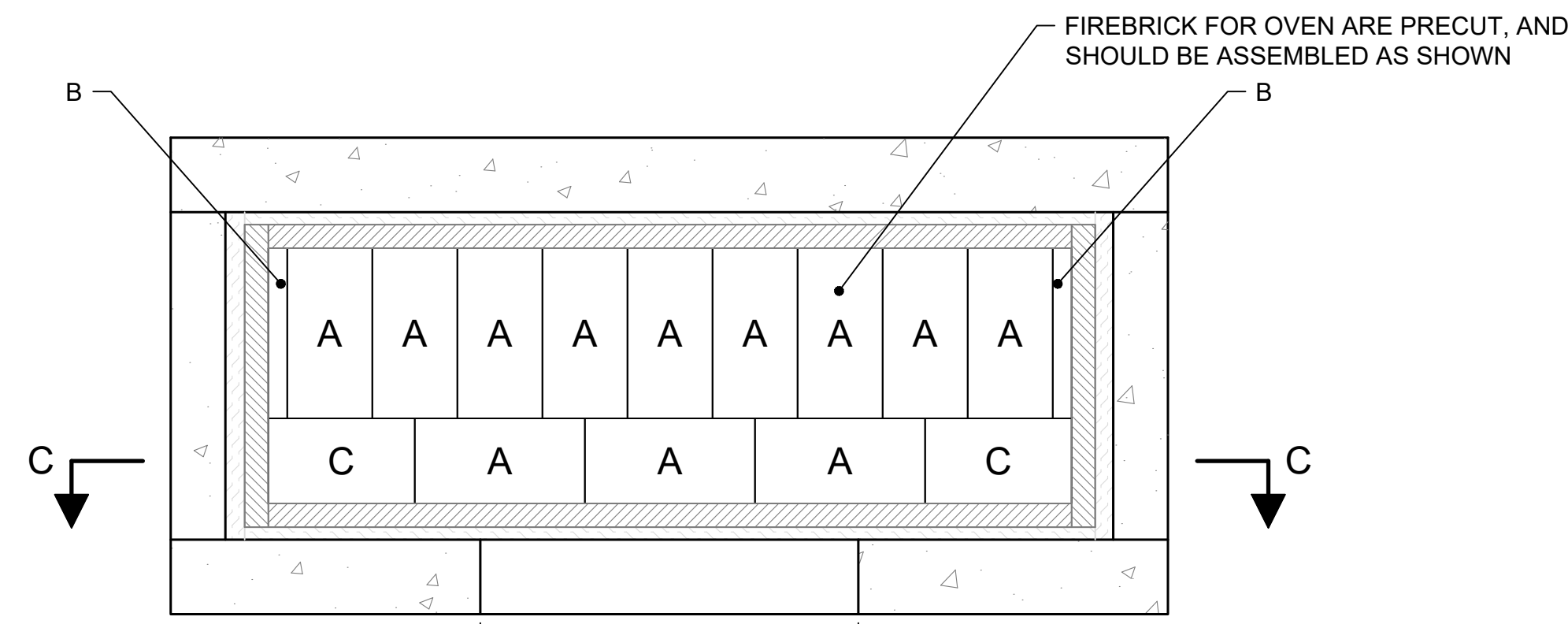
COMPLETED ASSEMBLY (N.T.S)



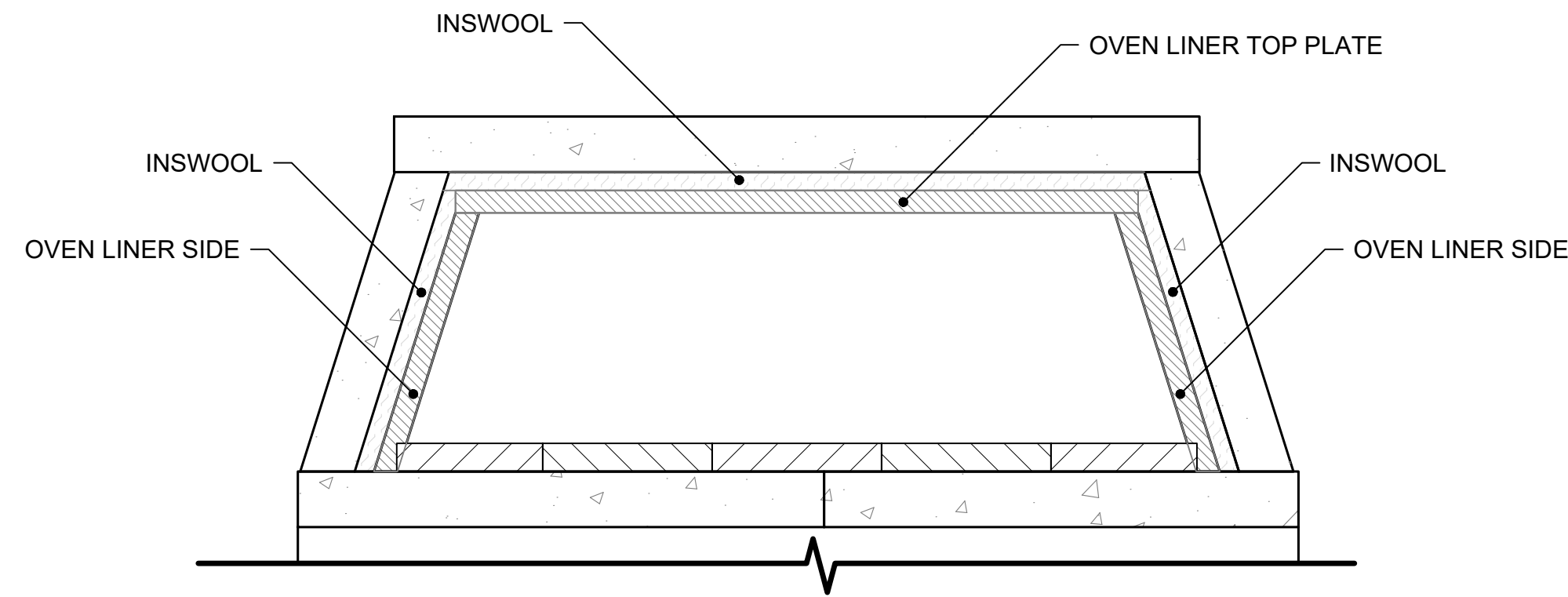
UNLESS OTHERWISE STATED, ALL DIMENSIONS ARE IN MILLIMETERS		PROJECT: ISOVEN 2	
THIRD ANGLE PROJECTION		DESCRIPTION: STORAGE BASE FOR ISOVEN 1 TABLE TOP PIZZA OVEN	
MATERIAL: E.C. PUMICE MIXTURE	DATE: 12/15/2022	SIZE: 1-1/2"=1'-0"	DRAWING #: ISOVEN 2
DRAWN: K.B.H.	DATE:	SCALE: D	REV: A
APPROVED:	DATE:	DO NOT SCALE	SHEET # 1 OF 2



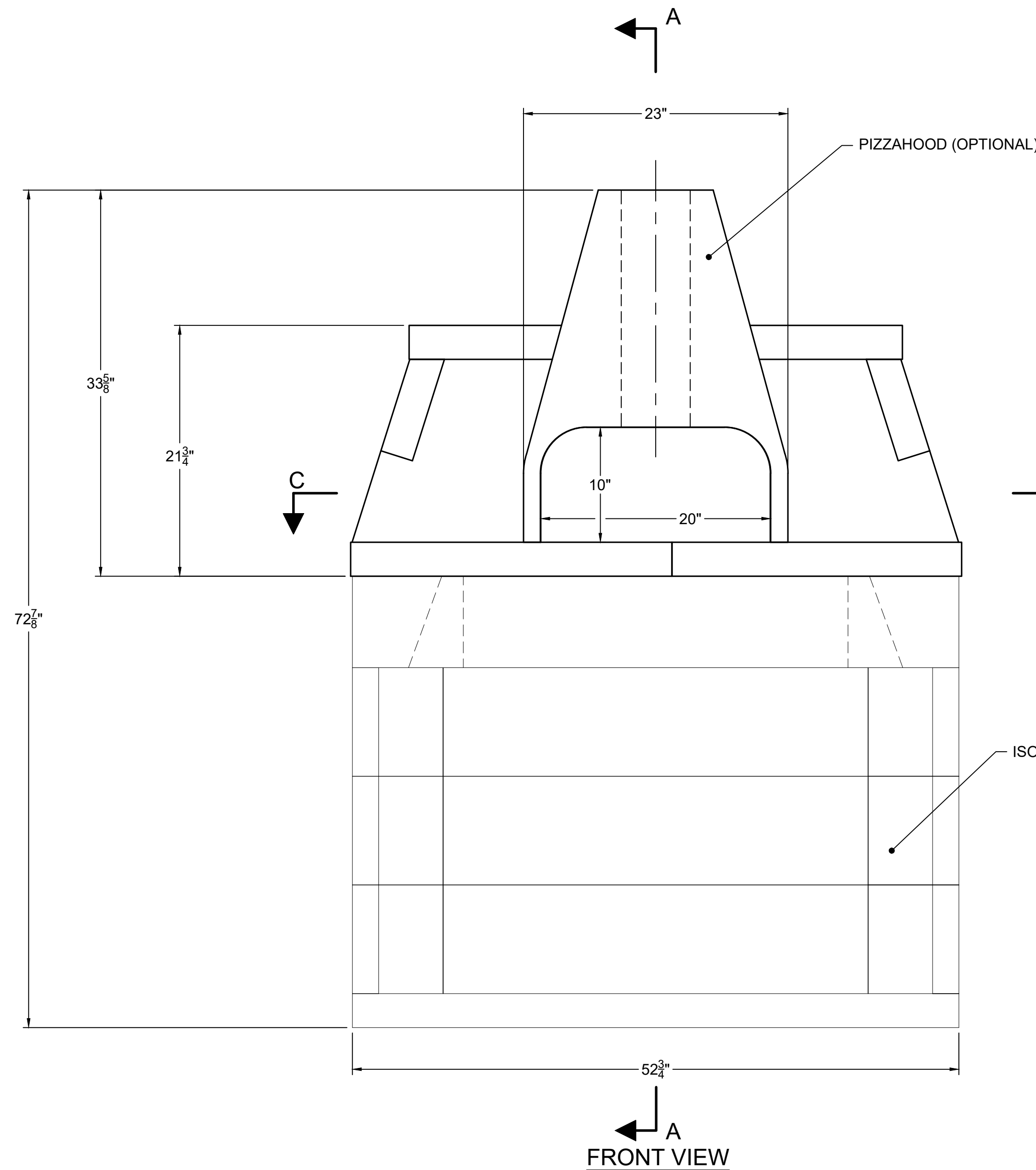
FIREBRICK DETAILS				
PART #	LENGTH	WIDTH	THICKNESS	QTY.
A	9 1/2"	4 1/2"	1 1/4"	12
B	9 1/2"	1"	1 1/4"	2
C	7 3/4"	5 1/2"	1 1/4"	2



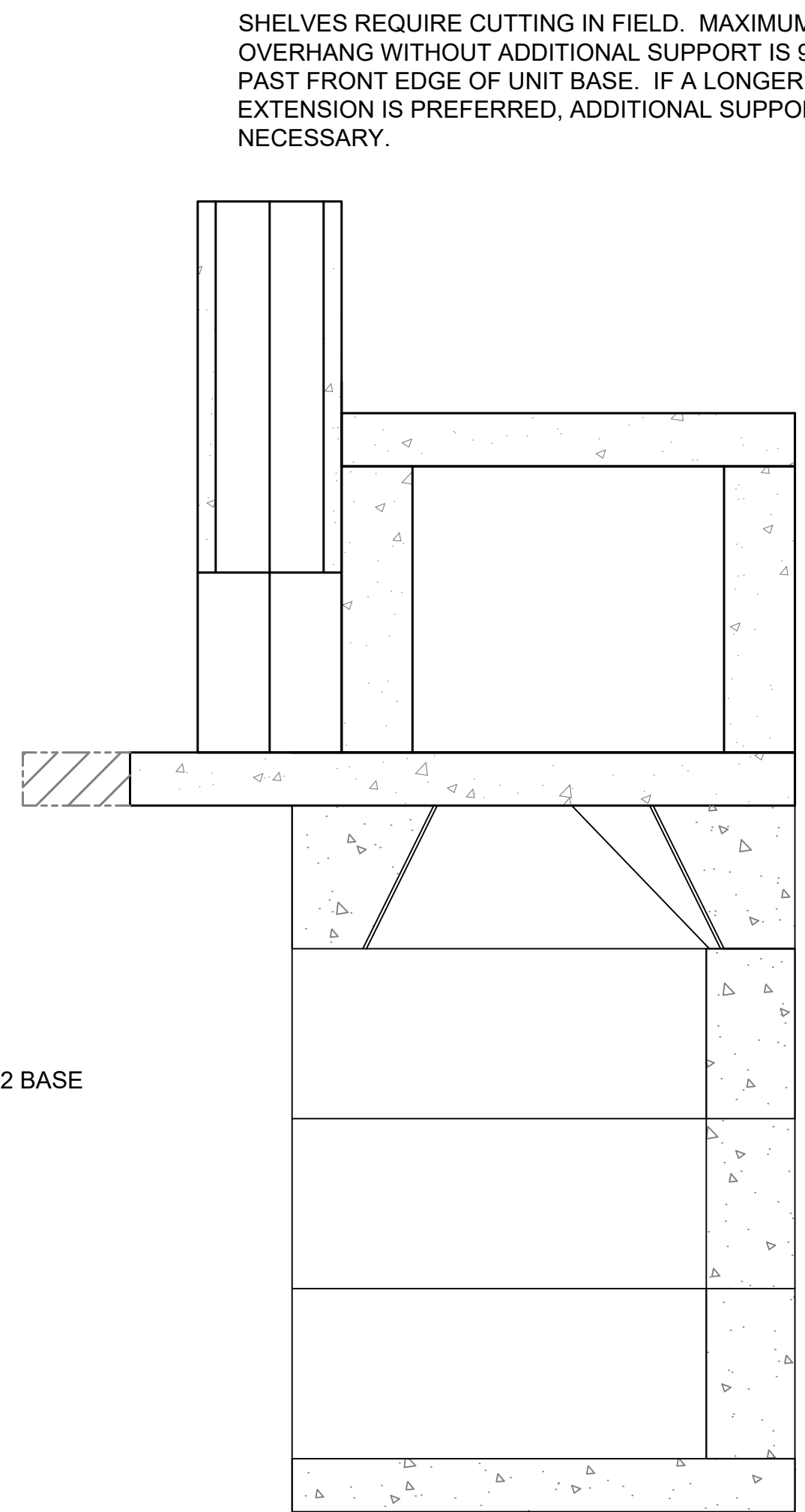
SECTION B-B
HORIZONTAL OVENLINER AND FIREBRICK LAYOUT DETAILS



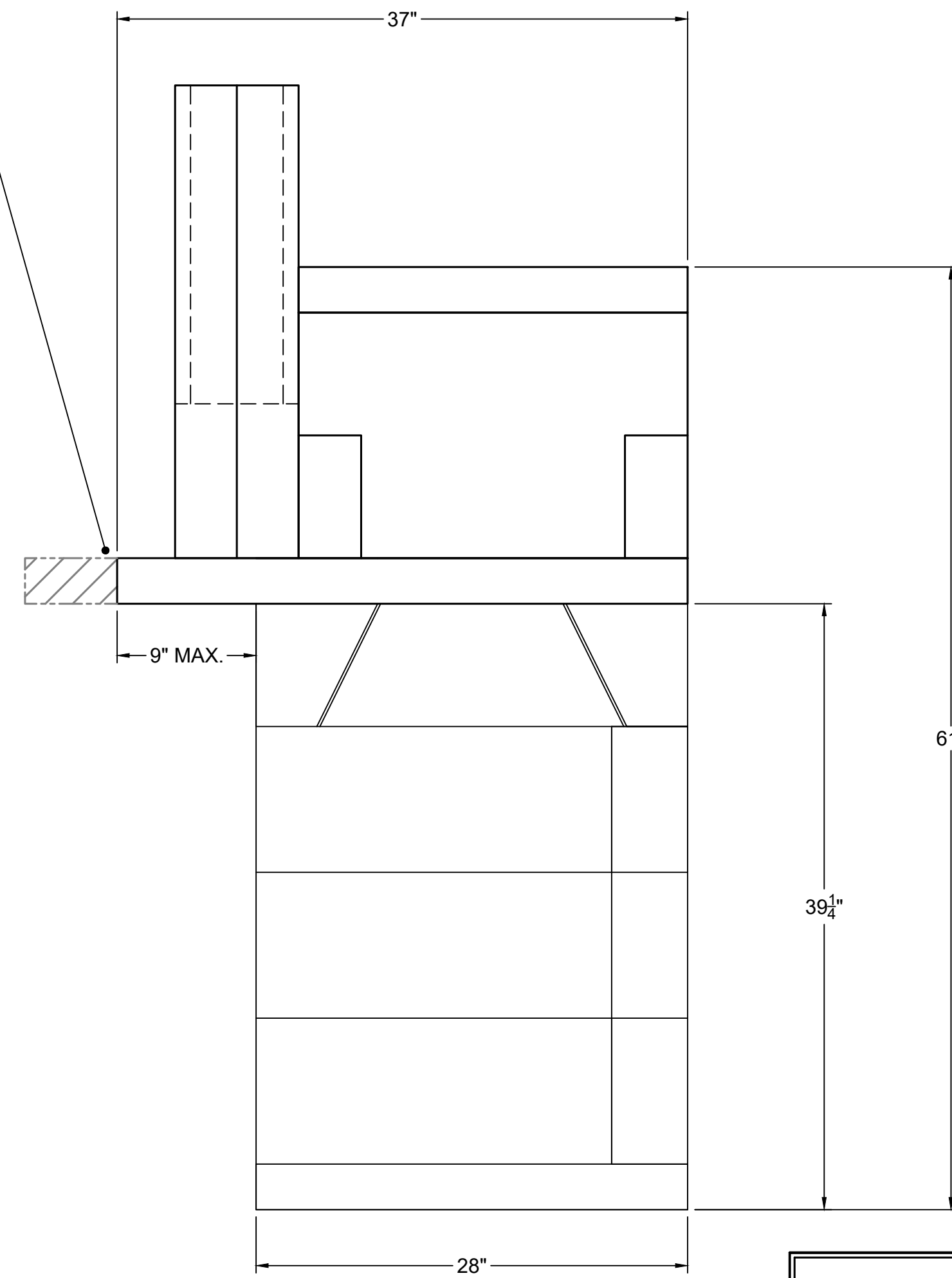
SECTION C-C
VERTICAL OVENLINER AND FIREBRICK LAYOUT DETAILS



FRONT VIEW



SECTION A-A
VERTICAL SECTION

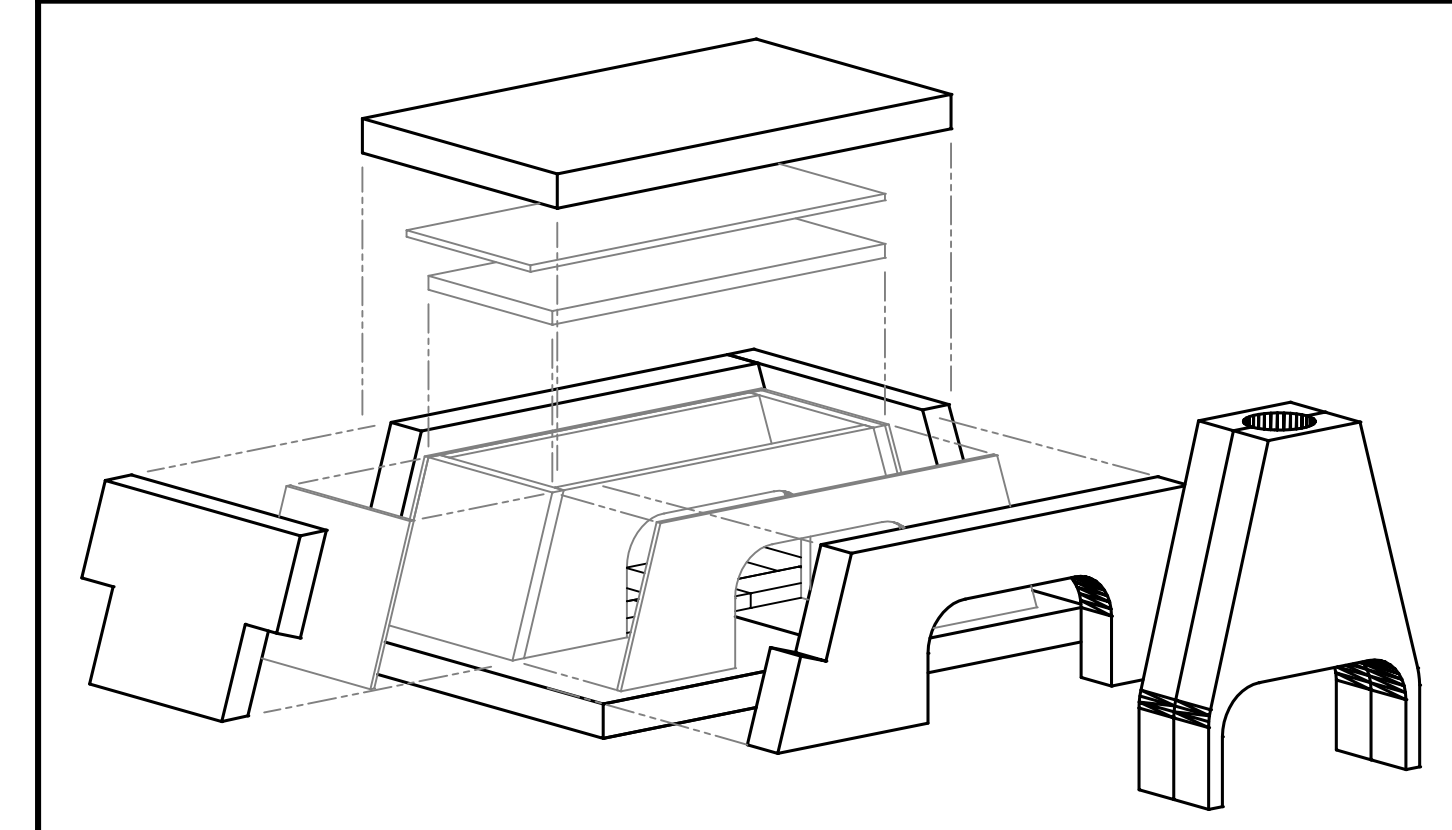


RIGHT-SIDE VIEW

COMPONENT LIST		
PART #	DESCRIPTION	QTY.
ISOVEN-1	ISOVEN TABLE TOP VERSION (REQUIRED, PURCHASED SEPARATELY)	1
PIZZAHOOD	ISOVEN CHIMNEY HOOD	1
ISOVEN-2	OPTIONAL BASE	1

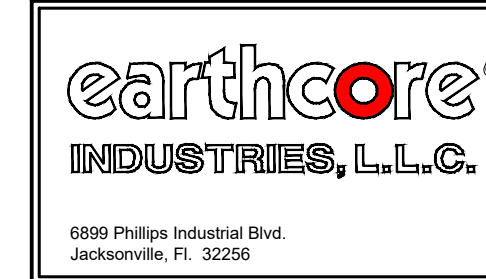
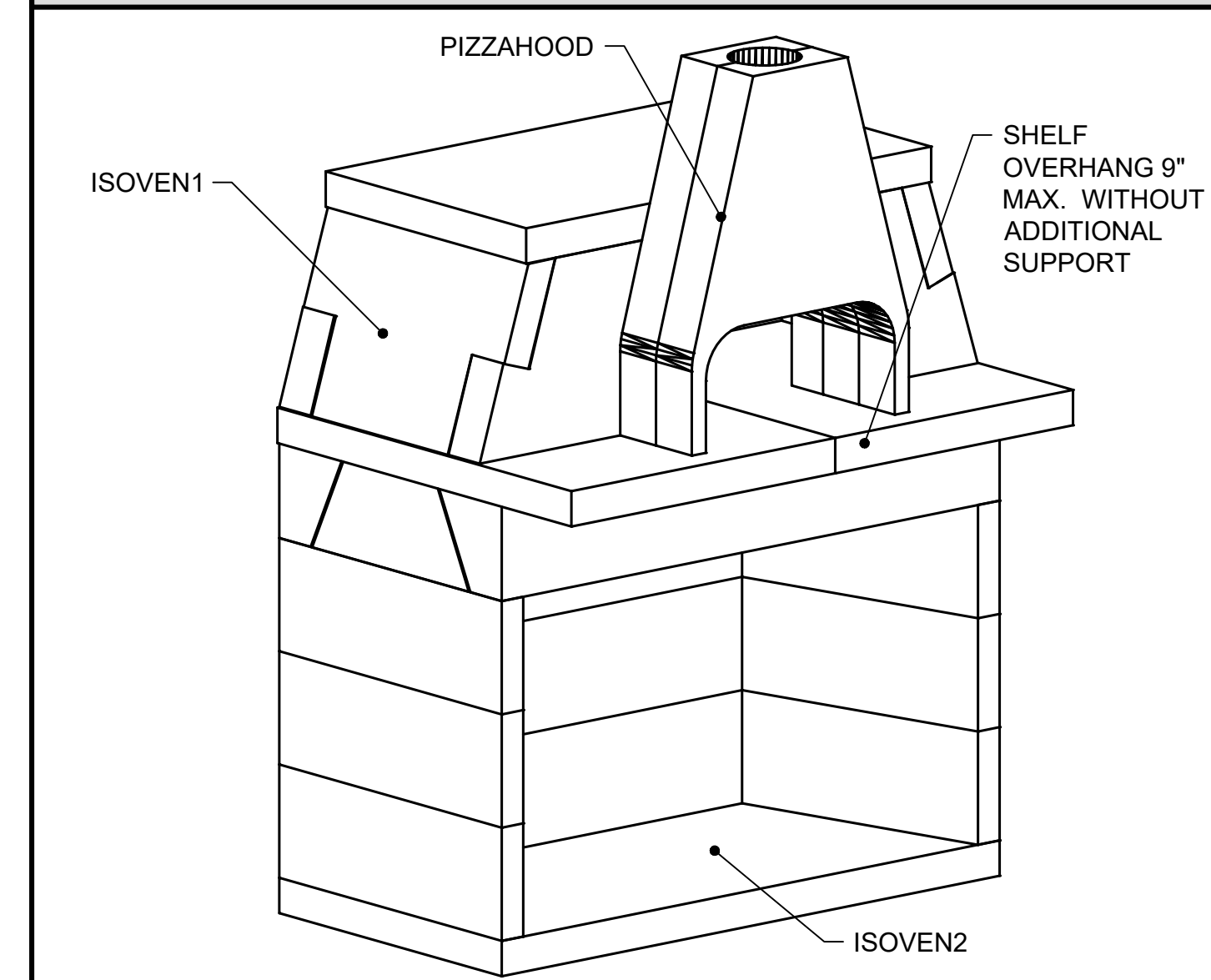
- GENERAL NOTES**
1. THE ISOVEN WOOD FIRED OVEN IS INTENDED TO BURN SOLID WOOD FUEL.
 2. THIS WOOD FIRED OVEN IS NOT DESIGNED TO SIT DIRECTLY ON A COMBUSTIBLE FLOOR SYSTEM.
 3. THIS WOOD FIRED OVEN IS NOT INTENDED FOR INDOOR USE. ISOVEN WOOD FIRED OVENS ARE INTENDED FOR USE IN AN OUTDOOR SITUATION WHERE A TRADITIONAL, MASONRY PIZZA/BREAD OVEN WOULD BE UTILIZED.
 4. THE USE OF A VENTING SYSTEM IS OPTIONAL WITH THE ISOVEN. THE ISOVEN IS DESIGNED TO VENT FROM THE FRONT OF THE OVEN, HOWEVER, THE INSTALLATION OF A FRONT ANCHORED VENT IS ACCEPTABLE.
 5. OVER-FIRING, ABUSIVE BURNING OR MISTREATMENT WILL VOID ANY CLAIMS (EG. BURNING CONSTRUCTION DEBRIS OR OTHER HIGHLY FLAMMABLE MATERIAL; TOSSING, KICKING OR OTHERWISE FORCING LOGS INTO THE OVEN).
 6. ISOVEN WOOD FIRED OVENS ARE UNIQUE OUTDOOR WOOD FIRED OVENS.
 7. ENSURE THAT THE ISOVEN WOOD FIRED OVEN IS INSTALLED PER INSTALLATION MANUAL SPECIFICATIONS.
 8. DRAWINGS ARE FOR DESIGN PURPOSES ONLY AND ARE THE SOLE PROPERTY OF EARTHCORE INDUSTRIES. ANY REPRODUCTION OR UNAUTHORIZED USE IS STRICTLY PROHIBITED.
 9. EARTHCORE/ ISOKERN OR ANY DIVISION THEREOF SHALL NOT BE HELD LIABLE FOR ANY INCIDENTAL OR CONSEQUENTIAL DAMAGES OR EXPENSES ARISING OUT OF THE USE OF THE FIREPLACES OR CHIMNEY SYSTEMS.
 10. ALWAYS CHECK LOCAL BUILDING CODES GOVERNING FIREPLACES AND FIREPLACE INSTALLATIONS.

ISOVEN-1 EXPLODED ASSEMBLY (N.T.S)



IMPORTANT: INSWOOL IS REQUIRED BETWEEN ISOKERN COMPONENTS AND OVEN LINER. DO NOT MORTAR OVEN LINER OR INSWOOL TO ISOKERN MATERIAL!!!

COMPLETED ASSEMBLY (N.T.S)



UNLESS OTHERWISE STATED, ALL DIMENSIONS ARE IN MILLIMETERS		PROJECT: ISOVEN 2 W/ PIZZAHOOD	
UNSPECIFIED TOLERANCES	THIRD ANGLE PROJECTION	DESCRIPTION: STORAGE BASE FOR ISOVEN 1 TABLE TOP PIZZA OVEN W/ CHIMNEY HOOD	
ANG. X ±		MATERIAL: E.C. PUMICE MIXTURE	DATE: 12/15/2022
LIN. X ±		DRAWN: K.B.H.	SCALE: 1-1/2"=1'-0"
X ±		DATE: 12/15/2022	DRAWING #: ISOVEN2
XX ±		APPROVED:	DATE:
			DO NOT SCALE