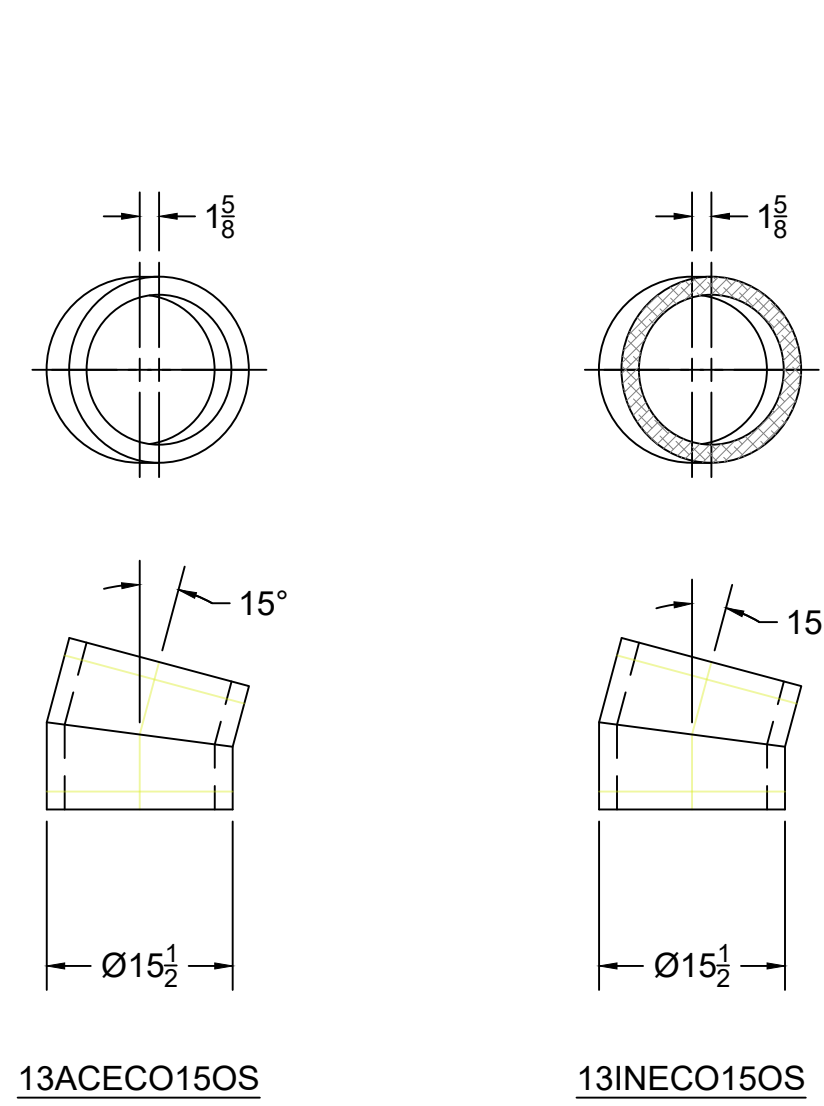


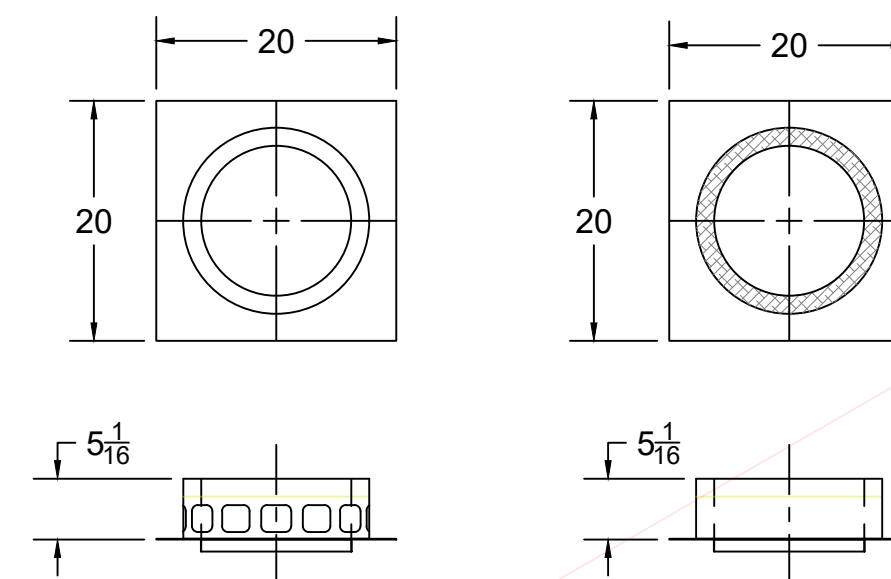
ECOSTEEL AIR-COOLED STRAIGHT PIPE LENGTHS

NOTE: ALL ECOSTEEL PIPE OVERLAPS 1-1/2" WHEN ASSEMBLED



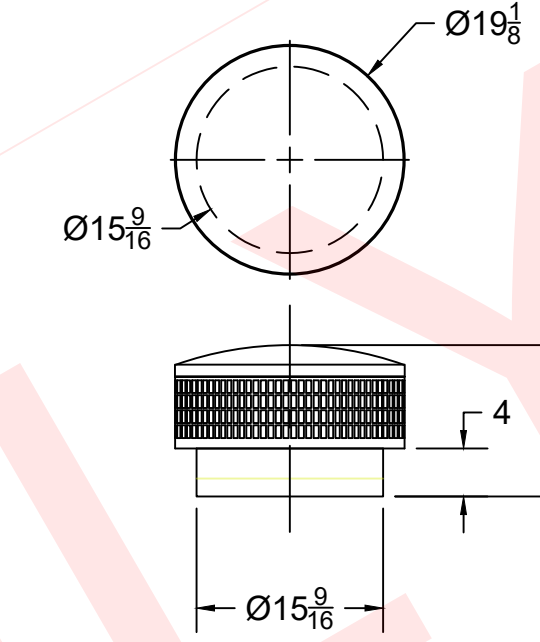
ECOSTEEL AIR-COOLED 15° ELBOW

ECOSTEEL INSULATED 15° ELBOW



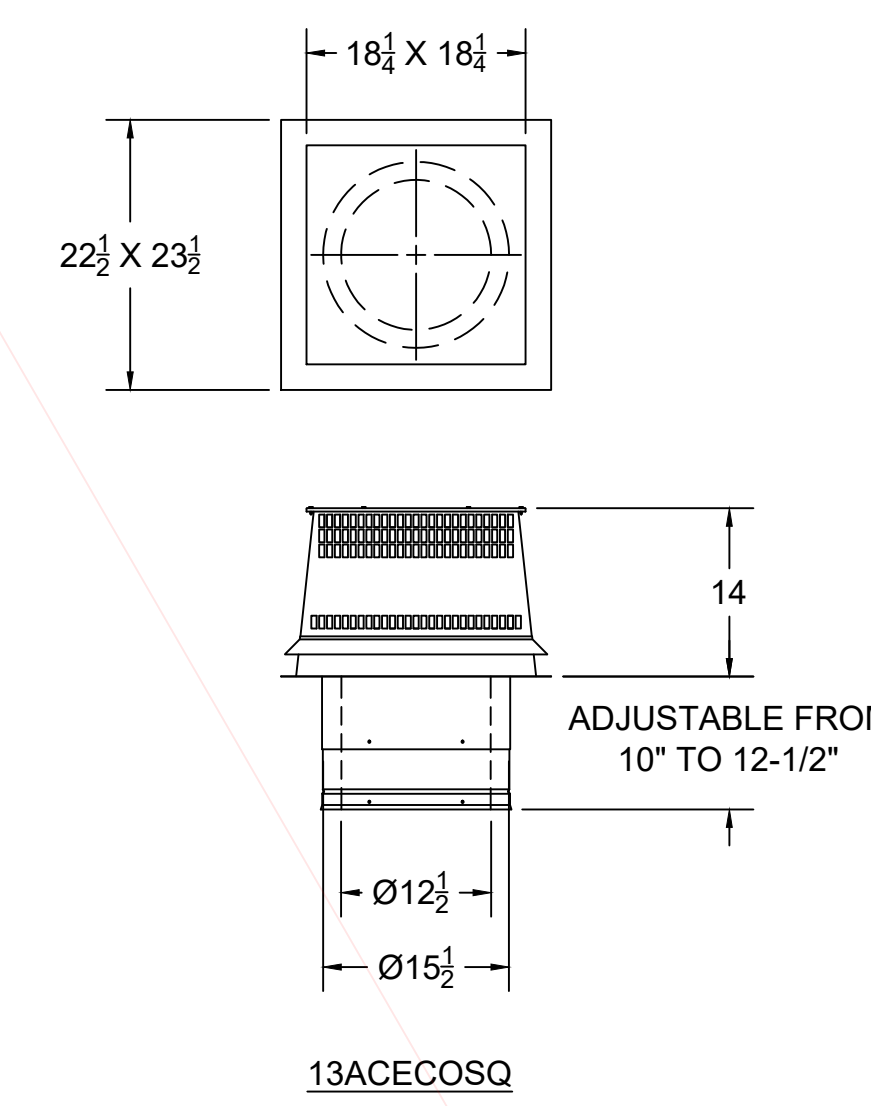
ECOSTEEL AIR-COOLED ANCHOR PLATE

ECOSTEEL INSULATED ANCHOR PLATE



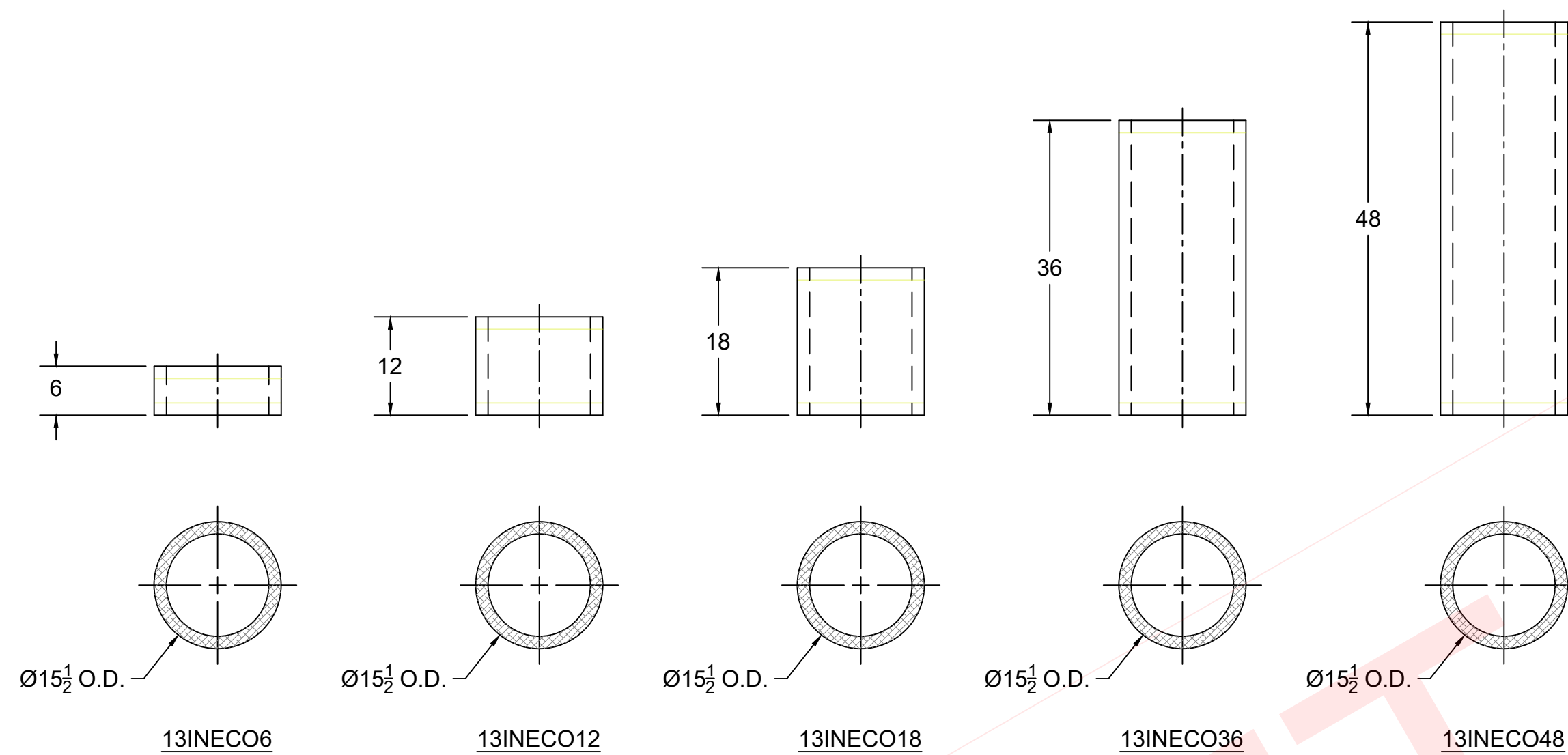
ECOSTEEL CHIMNEY CAP

NOTE: FOR USE WITH AIR-COOLED OR INSULATED ECOSTEEL PIPE



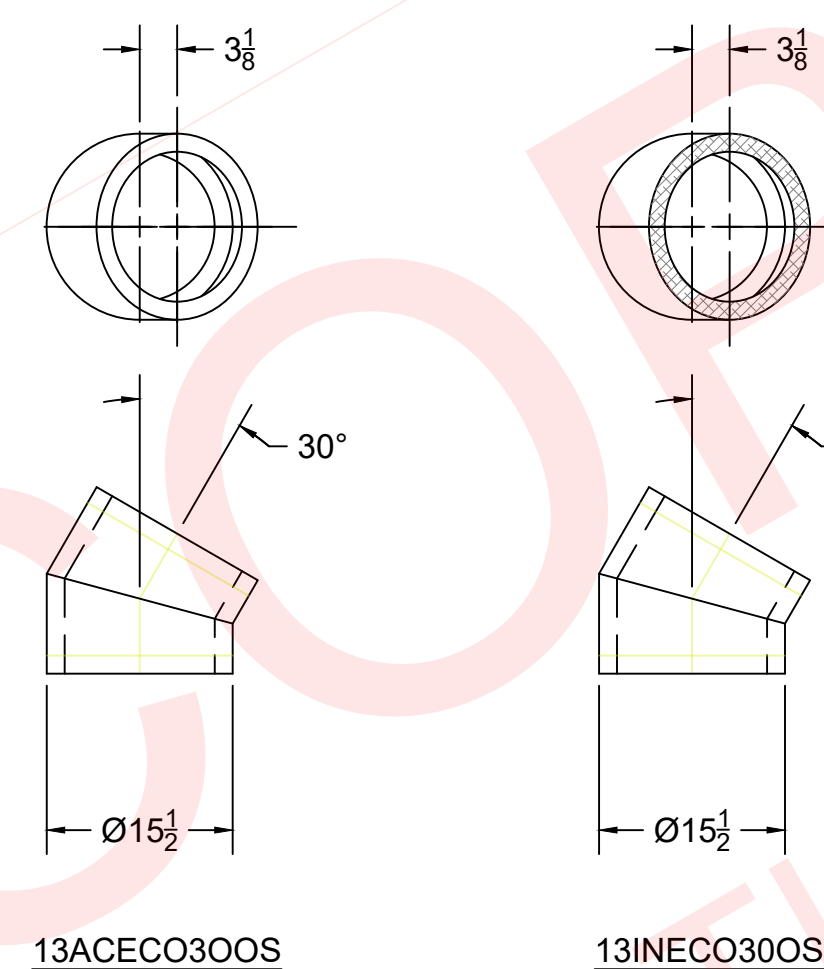
ECOSTEEL SQUARE TERMINATION CAP

NOTE: FOR USE WITH AIR-COOLED OR INSULATED ECOSTEEL PIPE



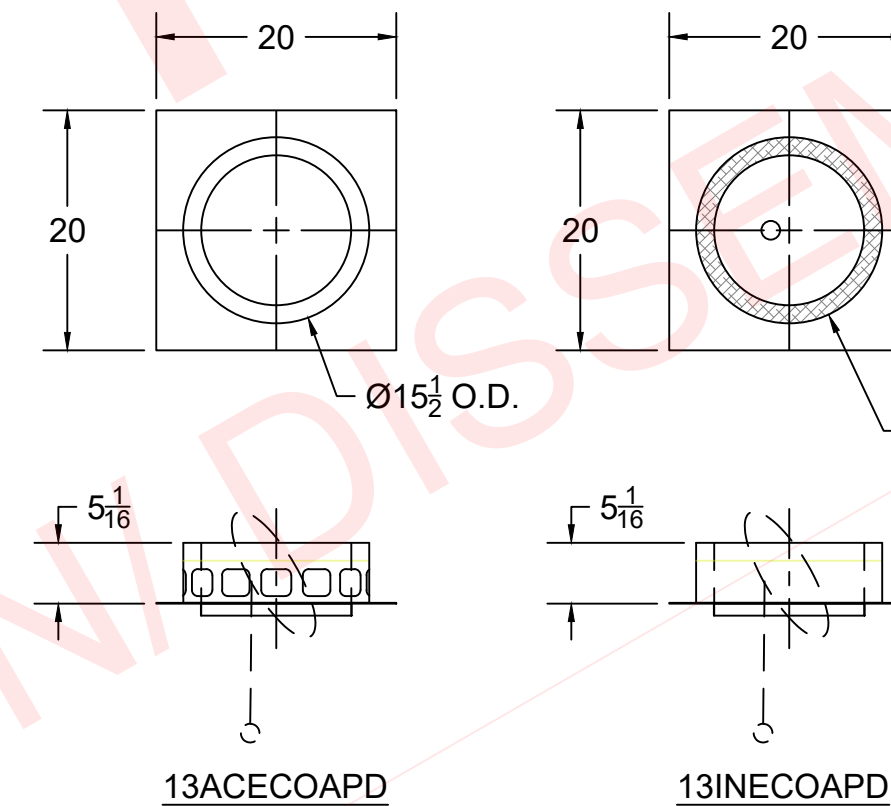
ECOSTEEL INSULATED STRAIGHT PIPE LENGTHS

NOTE: ALL ECOSTEEL PIPE OVERLAPS 1-1/2" WHEN ASSEMBLED



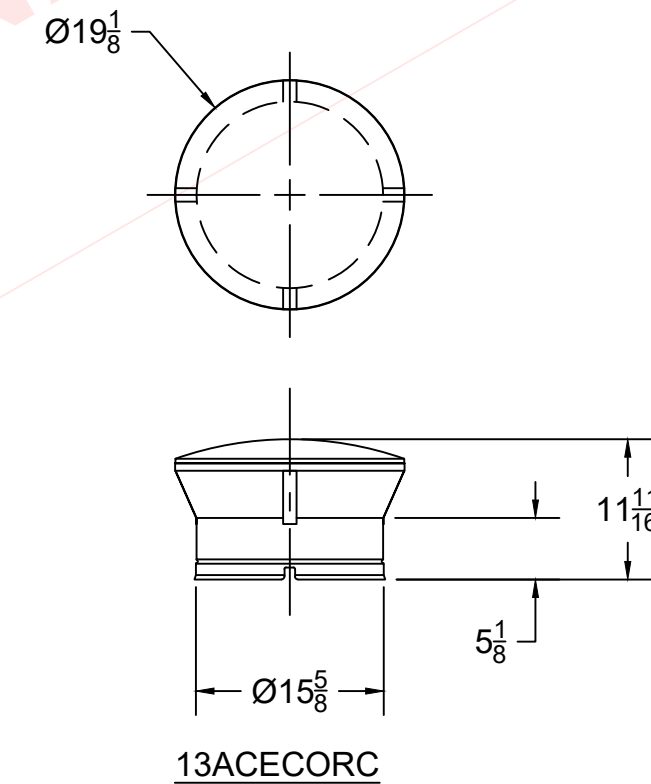
ECOSTEEL AIR-COOLED 30° ELBOW

ECOSTEEL INSULATED 30° ELBOW



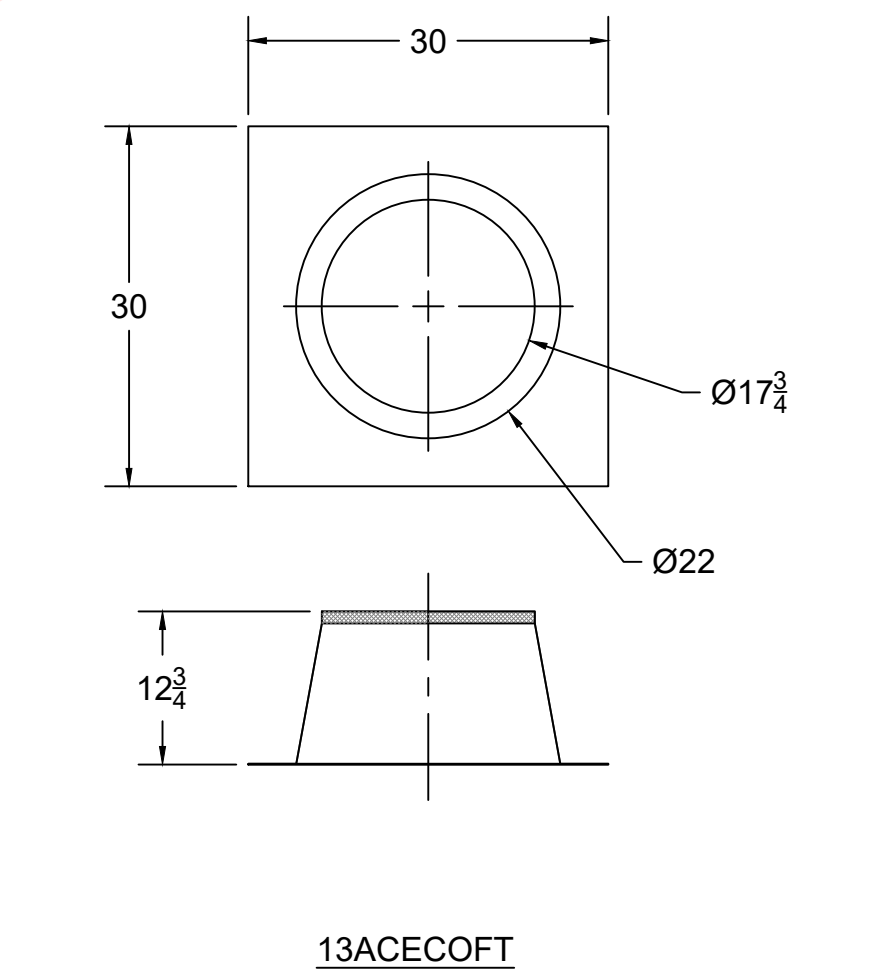
ECOSTEEL AIR-COOLED ANCHOR PLATE W/ DAMPER

ECOSTEEL INSULATED ANCHOR PLATE W/ DAMPER



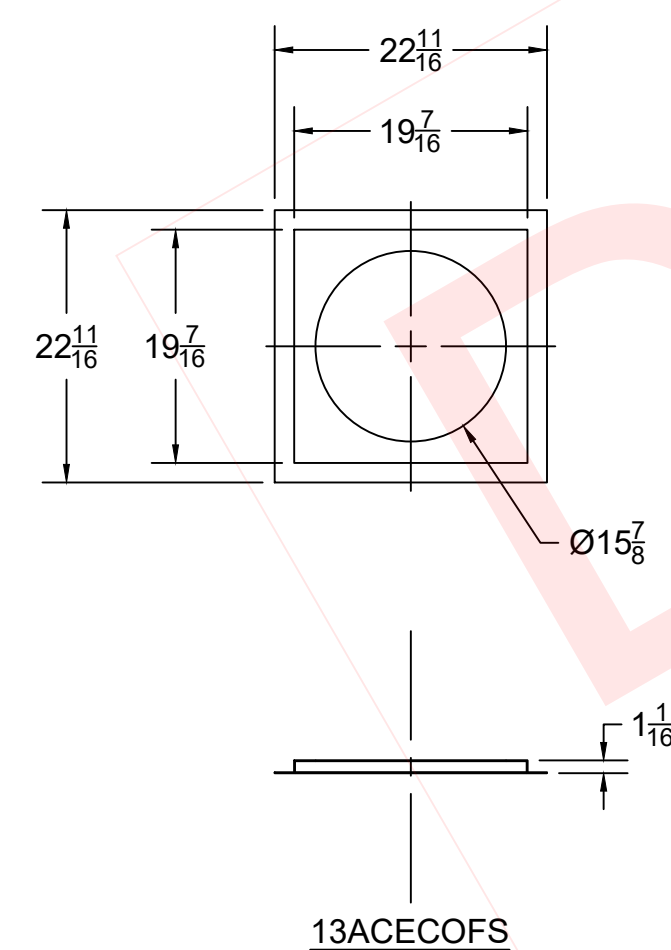
ECOSTEEL RAIN CAP

NOTE: FOR USE WITH AIR-COOLED OR INSULATED ECOSTEEL PIPE
NOTE: REQUIRED FOR SHROUD INSTALLATIONS



ECOSTEEL TALL CONE FLASHING

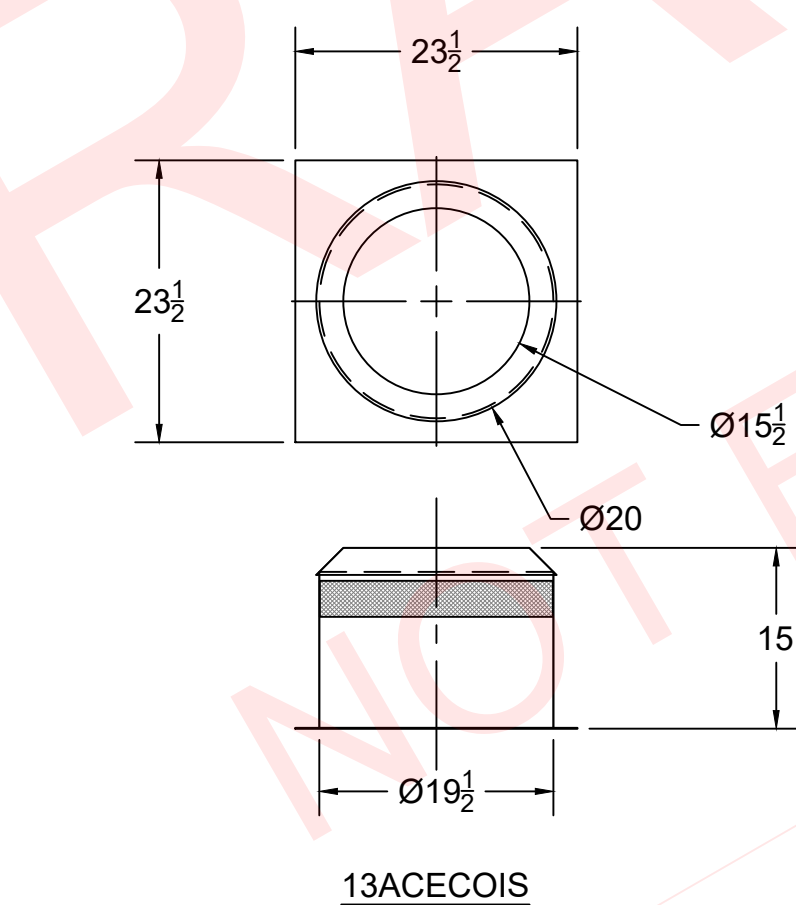
NOTE: FOR USE WITH AIR-COOLED OR INSULATED ECOSTEEL PIPE



ECOSTEEL FIRESTOP

NOTE: FOR USE WITH AIR-COOLED OR INSULATED ECOSTEEL PIPE

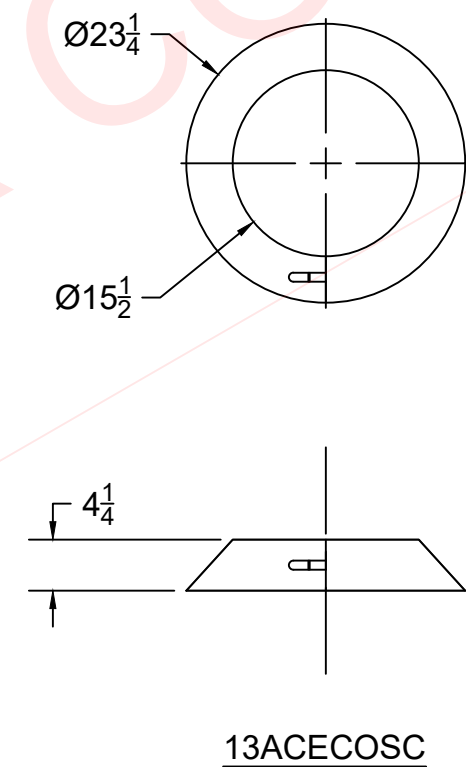
NOTE: REQUIRED AT EVERY FLOOR/ CEILING PENETRATION (EXCLUDING ROOF)



ECOSTEEL ATTIC INSULATION SHIELD

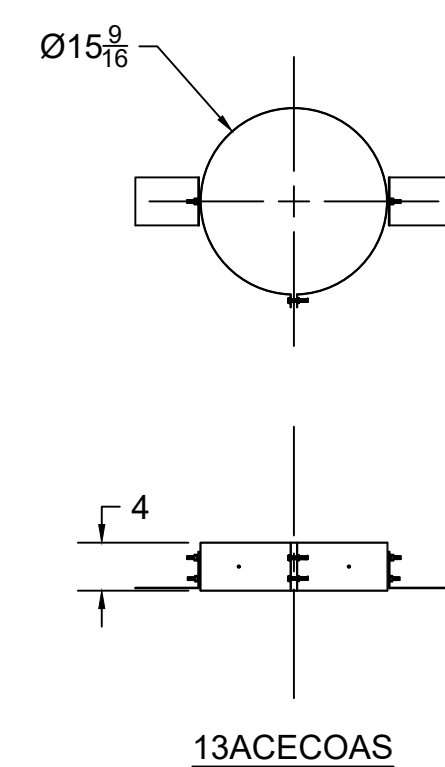
NOTE: FOR USE WITH AIR-COOLED OR INSULATED ECOSTEEL PIPE

NOTE: REQUIRED ANY TIME FLUE PASSES IN ATTIC WHETHER INSULATION IS PRESENT OR NOT



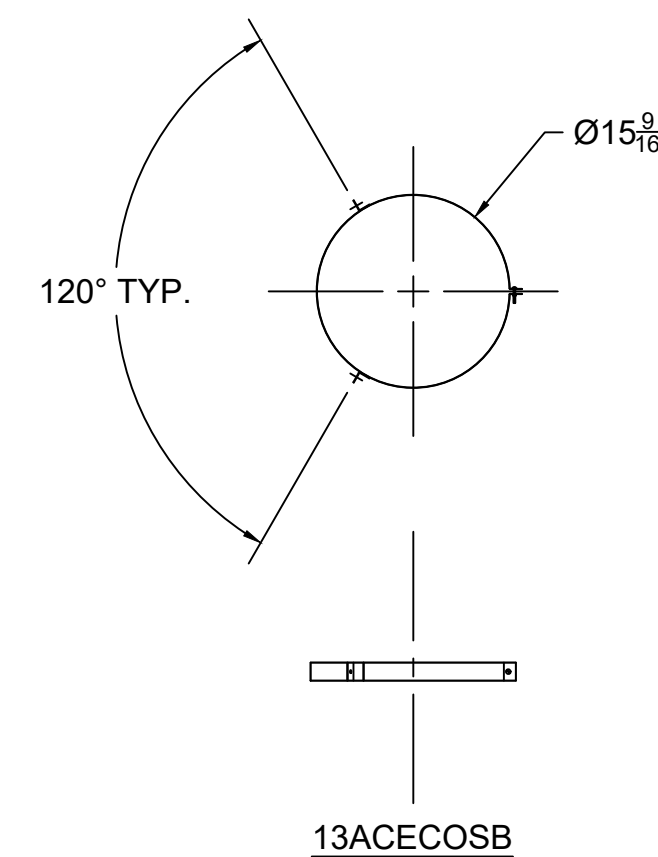
ECOSTEEL STORM COLLAR

NOTE: FOR USE WITH AIR-COOLED OR INSULATED ECOSTEEL PIPE



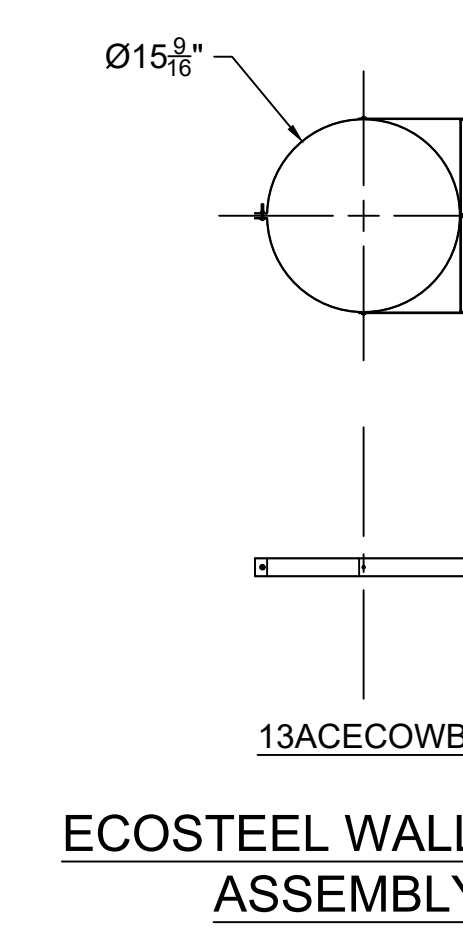
ECOSTEEL ADJUSTABLE SUPPLEMENTARY SUPPORT

NOTE: FOR USE WITH AIR-COOLED OR INSULATED ECOSTEEL PIPE
NOTE: REQUIRED WHENEVER CHIMNEY HEIGHT EXCEEDS 50' (NOTE: MAX. HEIGHT OF NATURALLY DRAFTED ECOSTEEL IS 60')



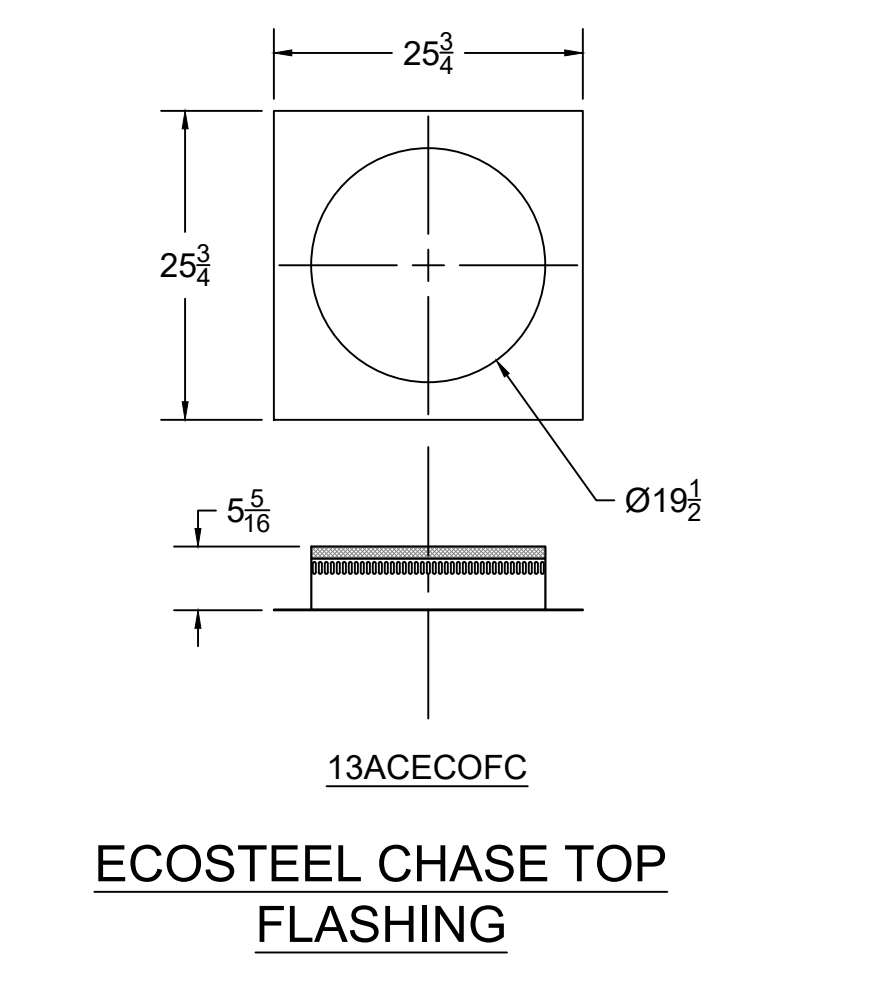
ECOSTEEL SUPPORT BAND ASSEMBLY

NOTE: FOR USE WITH AIR-COOLED OR INSULATED ECOSTEEL PIPE
NOTE: REQUIRED AT 4' INTERVALS BETWEEN ELBOWS; MAY BE REQUIRED TO MAINTAIN VERTICAL ORIENTATION OF FLUE RUNS



ECOSTEEL WALL BAND ASSEMBLY

NOTE: FOR USE WITH AIR-COOLED OR INSULATED ECOSTEEL PIPE
NOTE: REQUIRED AT 8' INTERVALS TO PROVIDE LATERAL STABILITY



ECOSTEEL CHASE TOP FLASHING

NOTE: FOR USE WITH AIR-COOLED OR INSULATED ECOSTEEL PIPE

	UNLESS OTHERWISE STATED, ALL DIMENSIONS ARE IN INCHES		PROJECT: ECOSTEEL	
	ANG. 1/8 ±	THIRD ANGLE PROJECTION	DESCRIPTION: ECOSTEEL AIR-COOLED AND INSULATED COMPONENTS	
LIN. XX ±		DRAWN: [Signature]	DATE: 7/7/2023	SIZE: D
XXX ±		APPROVED: [Signature]	DATE:	SCALE: N.T.S.
				DRAWING #: [Blank]
				REV: C