

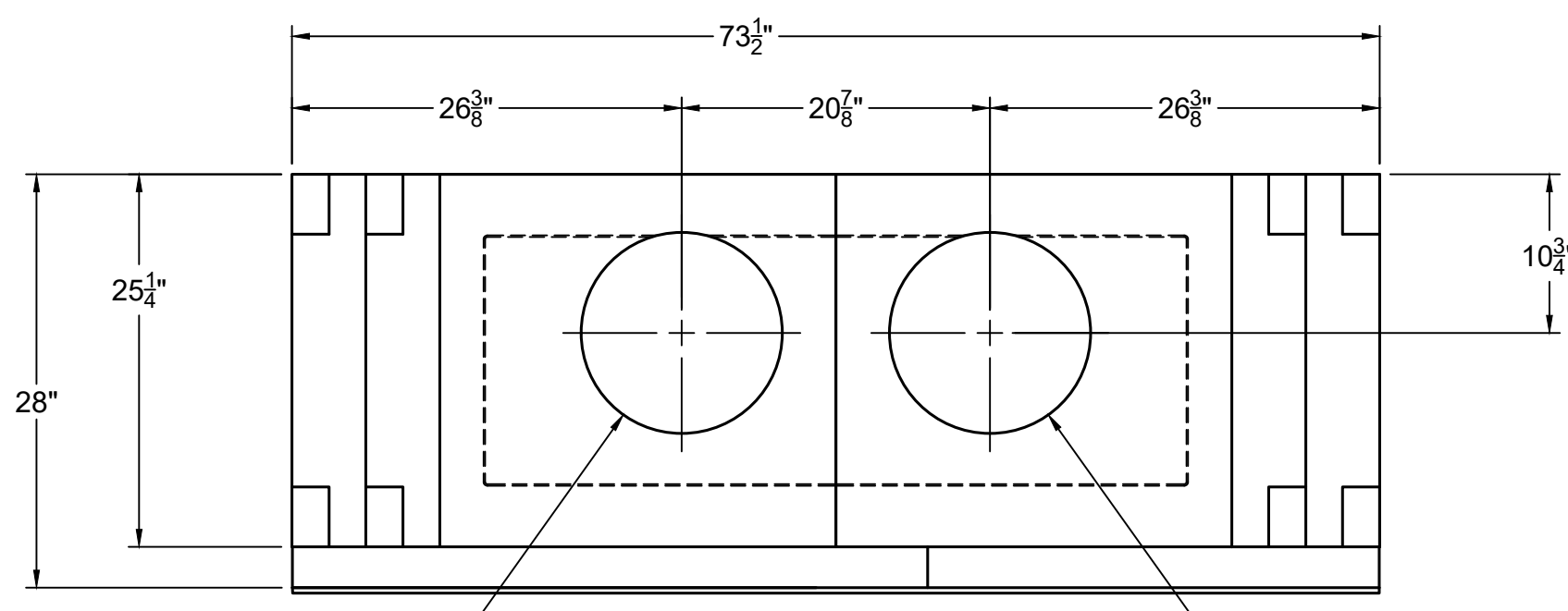
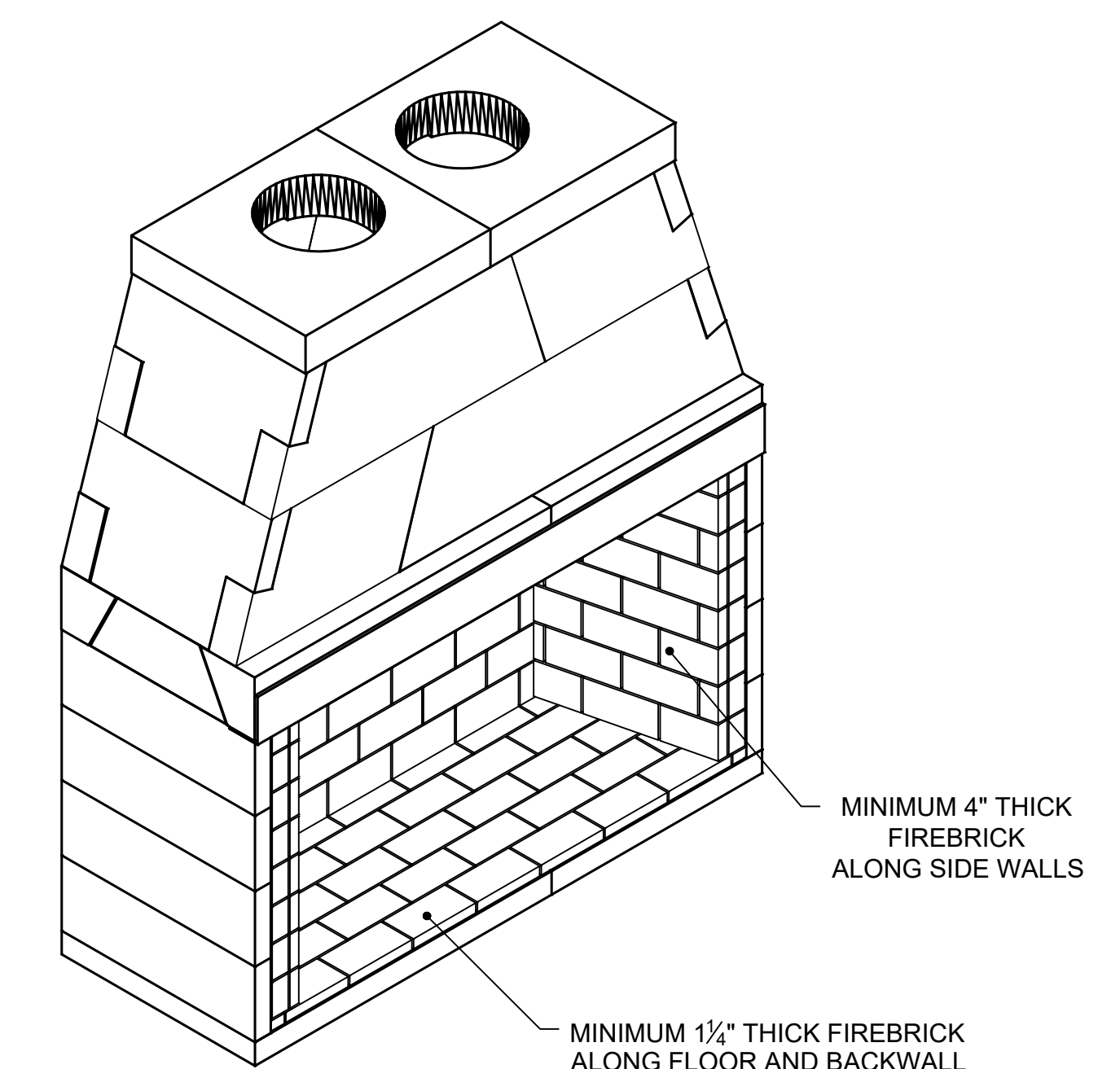
COMPONENT LIST

11	SMOKE DOME-36/42	6
13	SMOKE DOME-46/48	2
34	TOP SLOPING	4
68	DAMPER BEAM-36	4
M65	MAGNUM BACKWALL-36	4
M67	MAGNUM BACKWALL-48	4
77A	TOP PLATE W/345mm HOLE	2
M90	MAGNUM SIDEWALL	8
M91	MAGNUM BASEPLATE-36"	2
M94L	MAGNUM DAMPER END; LEFT	1
M94R	MAGNUM DAMPER END; RIGHT	1
100	4"x6"x $\frac{3}{8}$ " ANGLE IRON; NOT SUPPLIED BY EARTHCORE; MUST SOURCE LOCALLY	1

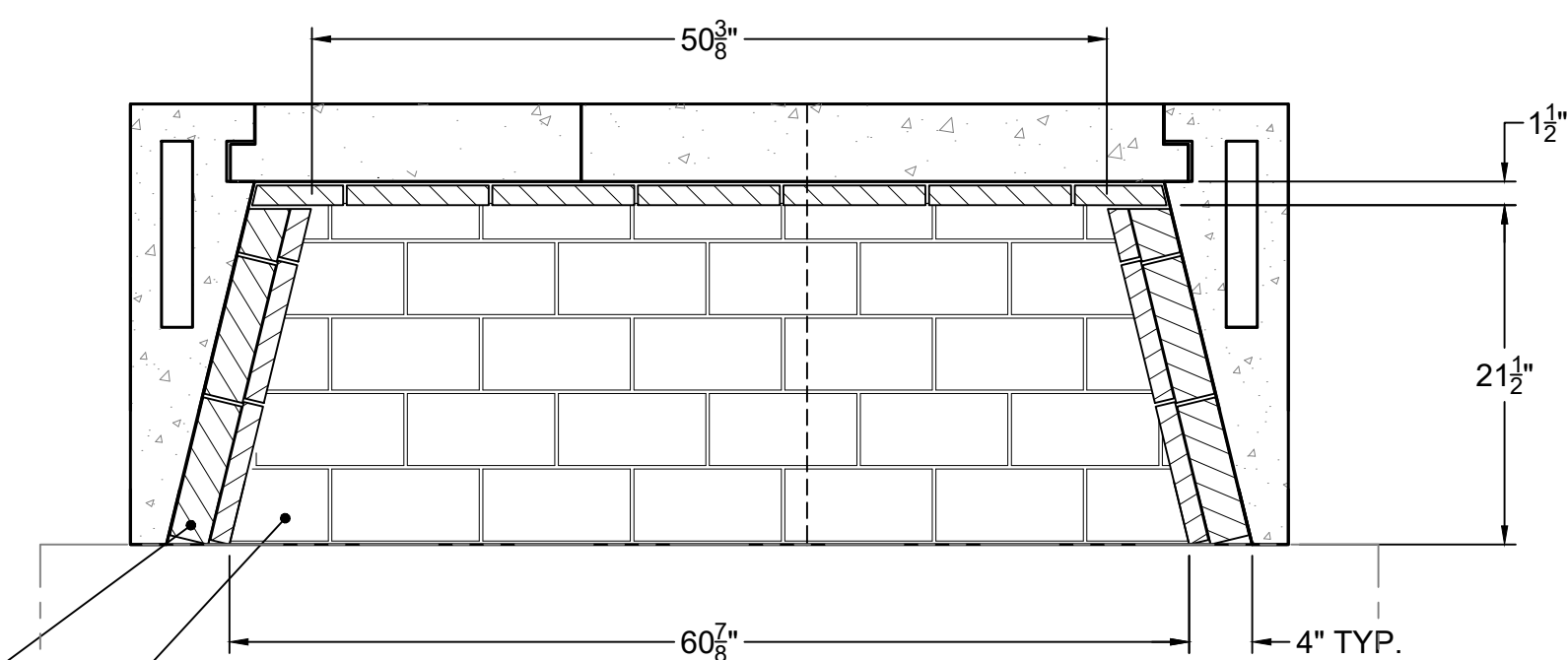
GENERAL NOTES

- FIREPLACE SHALL BE INSTALLED WITH THE MINIMUM CLEARANCES TO COMBUSTIBLES AS LISTED BELOW:
 - UNIT FRONT AND ISOKERN CHIMNEY: 0"
 - SIDES AND REAR: 1.5"
 - COMBUSTIBLE SHEATHING ABOVE OPENING TOP: 24"
 - SHEATHING OR TRIM TO OPENING SIDES: 9"
 - MANTLE ABOVE OPENING: 24"
 - OPENING TO SIDEWALLS: 48"
 - HEARTH EXTENSION BEYOND FRONT: 30"
 - HEARTH EXTENSION BEYOND SIDES (FINISHED): 12"
 - COMBUSTIBLE FLOOR: 7.5" (MUST USE FIRELITE APPLICATION)
 - INSULATION FROM FIREBOX (UNSHIELDED): 3"
- UNLESS THE FIRELITE KIT IS UTILIZED, THE FIREPLACE AND NONCOMBUSTIBLE HEARTH EXTENSION SHALL REST ATOP A NONCOMBUSTIBLE FLOORING SYSTEM WITH NO WOODEN UNDERPINNINGS.
- 4"x6"x $\frac{3}{8}$ " STEEL ANGLE, 73-1/2" LONG IS REQUIRED TO SPAN OPENING OF FIREBOX. ANGLE IS NOT SUPPLIED BY EARTHCORE, MUST SOURCE LOCALLY.
- IF YOU INSTALL A VENTED GAS LOG SET (DECORATIVE GAS APPLIANCE), THE LOG SET MUST COMPLY WITH THE STANDARD FOR DECORATIVE GAS APPLIANCE FOR INSTALLATION IN SOLID FUEL BURNING FIREPLACES, ANSI Z21.60 OR Z21.84 AND SHALL ALSO BE INSTALLED IN ACCORDANCE WITH THE NATIONAL FUEL GAS CODE, ANSI Z223/ NFPA 54; LATEST EDITION. IF YOU WISH TO INSTALL AN UNVENTED (VENT-FREE) GAS LOG SET, ONLY UNVENTED GAS LOG SETS WHICH HAVE BEEN FOUND TO COMPLY WITH THE STANDARD FOR UNVENTED ROOM HEATERS, ANSI Z21.11.2 ARE TO BE INSTALLED IN THIS FIREPLACE. CHECK LOCAL CODES FOR COMPLIANCE FOR UNVENTED (VENT FREE) GAS LOG SETS.
- TWO 4" COMBUSTION AIR INLET KITS ARE RECOMMENDED BY EARTHCORE AND MAY HELP IMPROVE FIREPLACE OPERATION IN HOMES TIGHTLY SEALED AND WITH OTHER VENTILATING APPLIANCES INSTALLED. IF THE INSTALLATION IS TO BE LONGER THAN TEN FEET (10'), THEN THE SIX INCH (6") ADAPTER/ EXTENSION KIT WILL BE NEEDED (OAKXX). THIS ADAPTER WILL ATTACH TO THE EXISTING FOUR INCH (4") SLEEVE OUTSIDE OF THE UNIT. THE SIX INCH ADAPTER INCLUDES AN ADDITIONAL TWENTY FEET OF 6" FLEX HOSE, FOR A MAXIMUM RUN OF THIRTY FEET (30').
- DRAWINGS ARE FOR DESIGN PURPOSES ONLY AND ARE THE SOLE PROPERTY OF EARTHCORE INDUSTRIES. ANY REPRODUCTION OR UNAUTHORIZED USE IS STRICTLY PROHIBITED.
- EARTHCORE/ ISOKERN OR ANY DIVISION THEREOF SHALL NOT BE HELD LIABLE FOR ANY INCIDENTAL OR CONSEQUENTIAL DAMAGES OR EXPENSES ARISING OUT OF THE USE OF THE FIREPLACES OR CHIMNEY SYSTEMS.
- ALWAYS CHECK LOCAL BUILDING CODES GOVERNING FIREPLACES AND FIREPLACE INSTALLATIONS.

ISOMETRIC VIEW (N.T.S)

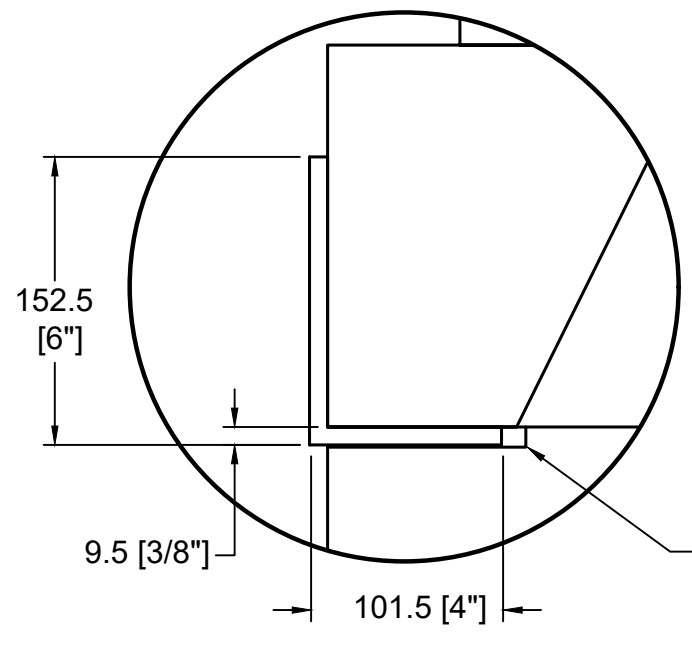


TOP VIEW



**SECTION B-B
HORIZONTAL FIREBRICK DETAIL**

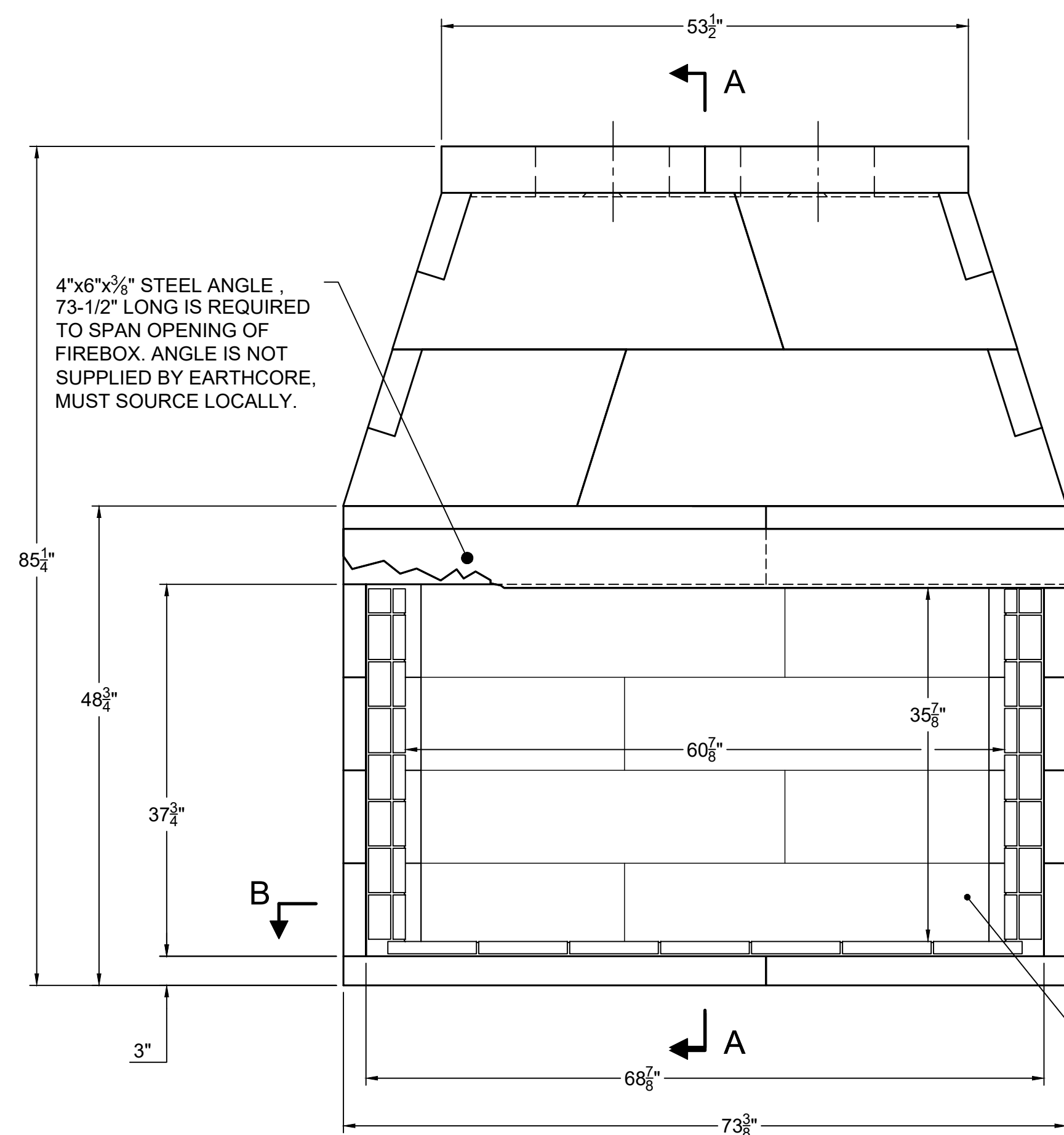
MINIMUM 4" THICK FIREBRICK THICKNESS REQUIRED ALONG SIDE WALLS OF FIREBOX.
MINIMUM 1 1/4" THICK FIREBRICK REQUIRED ALONG FLOOR AND BACK WALLS OF FIREBOX.



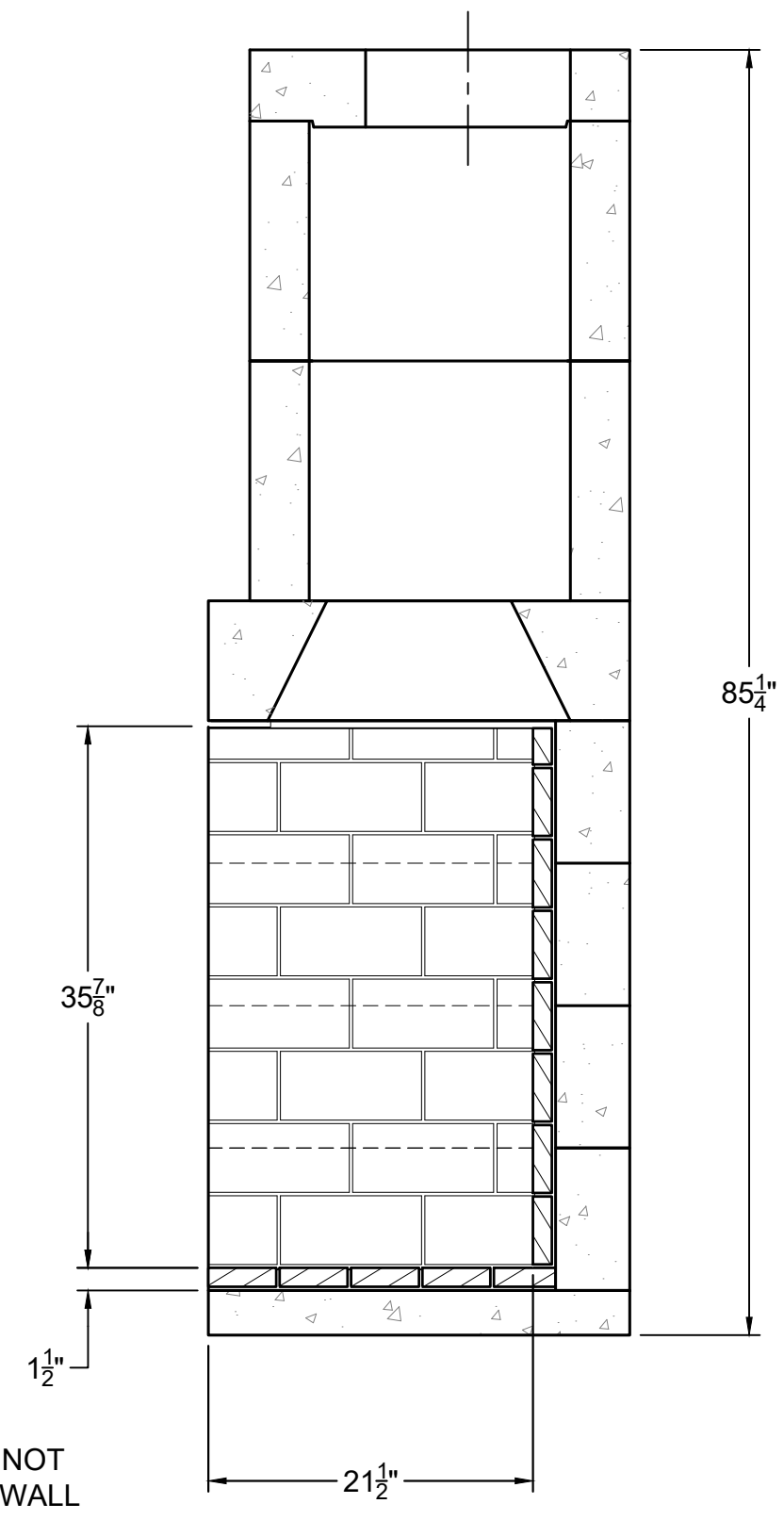
**DETAIL A
DAMPER SUPPORT ANGLE**

ISOKERN FIREBOX AND NONCOMBUSTIBLE HEARTH EXTENSION SHALL BE SUPPORTED BY CONCRETE SLAB WITH NO COMBUSTIBLE UNDERPINNINGS.
HEARTH EXTENSION SHALL EXTEND A MINIMUM OF 30" TO THE FRONT AND 12" TO THE SIDES OF FIREBOX'S FINISHED OPENING.

SIDE WALLS MUST BE NOTCHED SO THAT ANGLE IRON WILL SIT FLUSH WITH TOP OF WALL

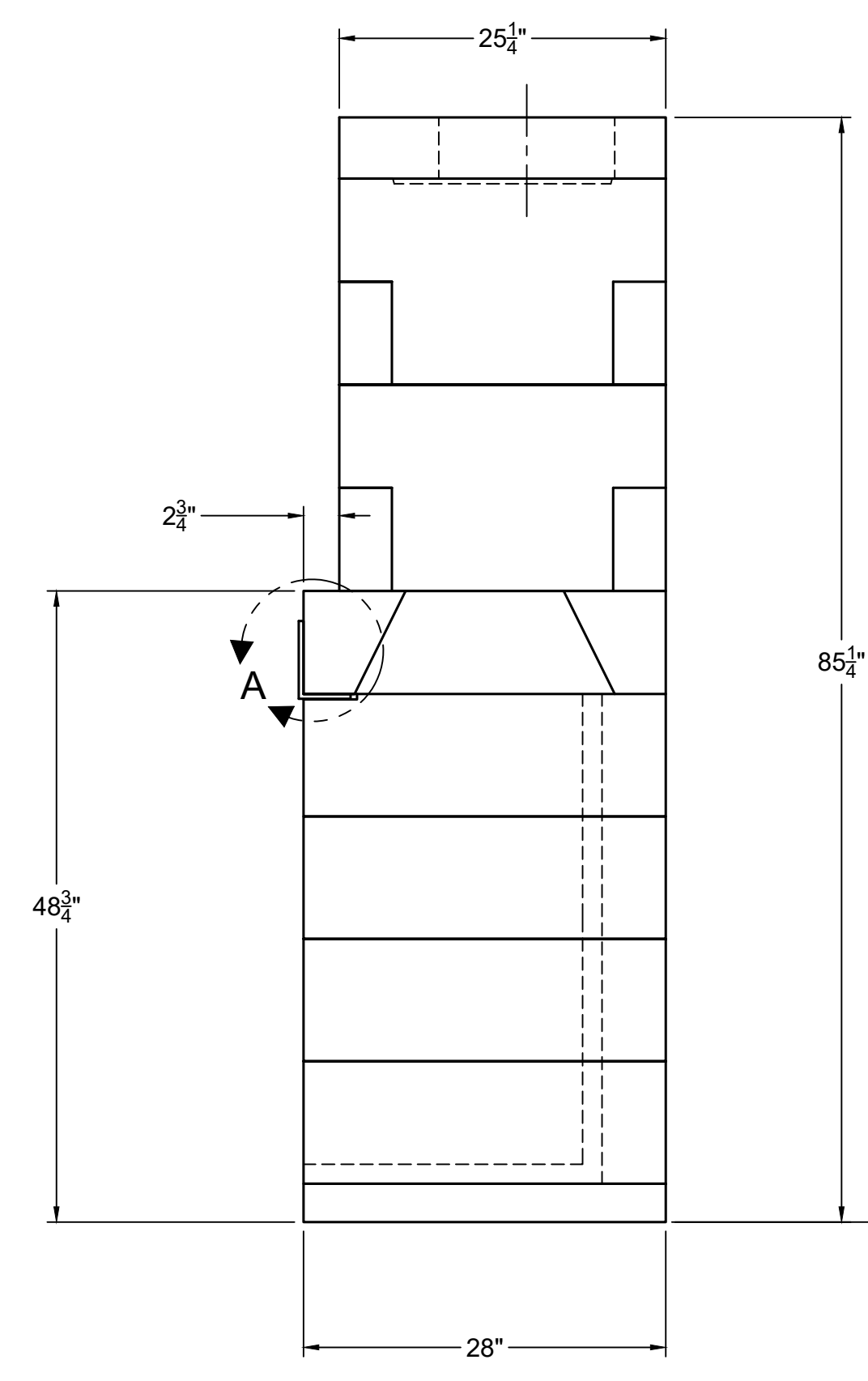


FRONT VIEW



**SECTION A-A
VERTICAL FIREBRICK DETAIL**

FOR CLARITY, BRICK NOT SHOWN ALONG BACK WALL



RIGHT-SIDE VIEW

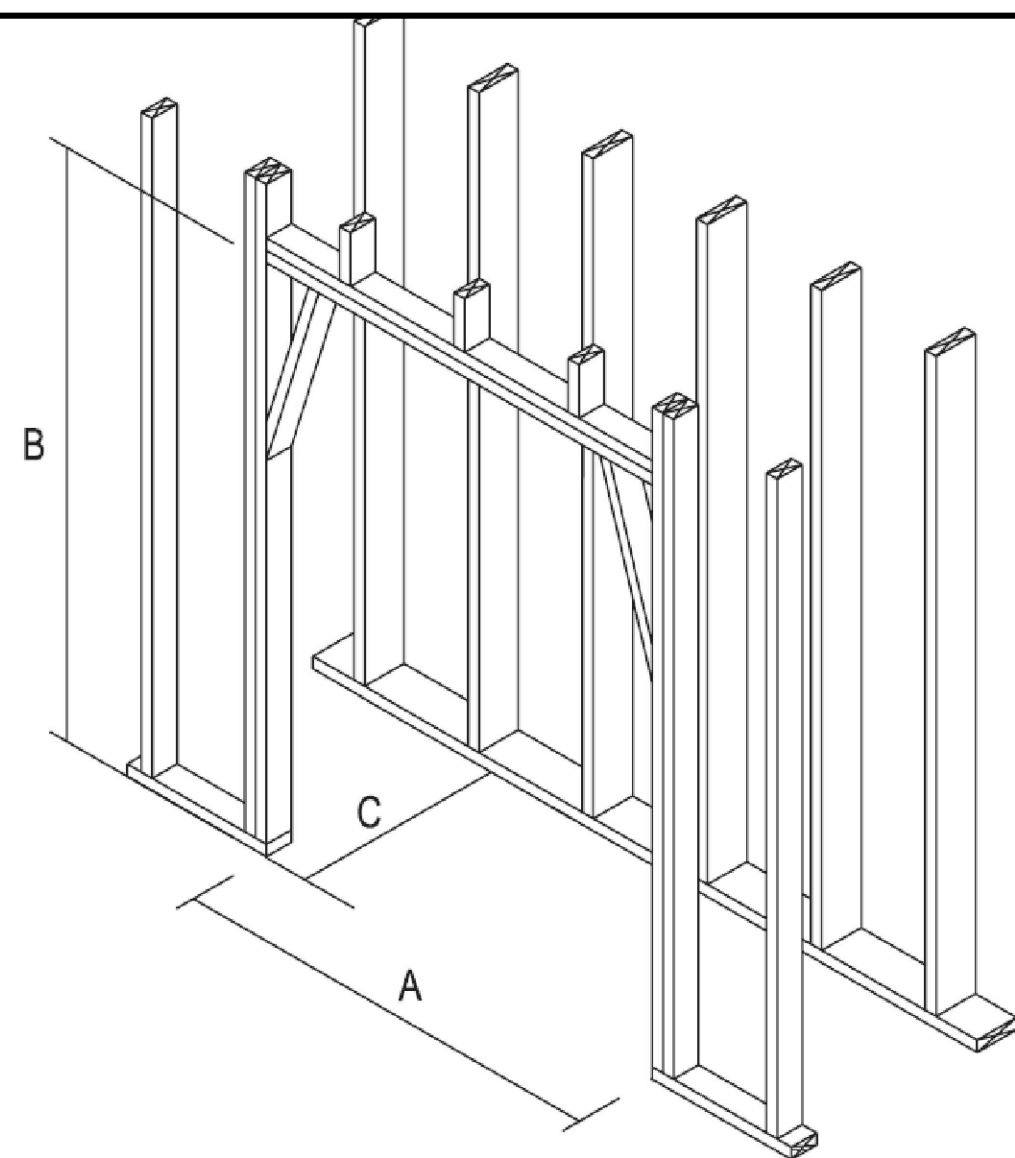
		UNLESS OTHERWISE STATED, ALL DIMENSIONS ARE IN MILLIMETERS UNSPECIFIED TOLERANCES: ANG. X ± LIN. X ± XX ±		THIRD ANGLE PROJECTION 		PROJECT: 60" MAGNUM	
6899 Philips Industrial Blvd. Jacksonville, FL 32256		DESCRIPTION: FIREPLACE CONSTRUCTION DOCUMENT		MATERIAL: E.C. PUMICE MIXTURE		DATE: 11/20/2023	
DRAWN: K.B.H.		DATE: 11/20/2023		SIZE: SCALE: D 1"=1'-0"		DRAWING #: 82060	
APPROVED:		DATE:		DO NOT SCALE		SHEET # 1 OF 2	

Typical Installation Framing Dimensions

MAGNUM	Width - A	Height - B	Depth - C
Model 60	76 1/2"	87 1/2"	29 1/2"
Model 72	88 1/2"	87 1/2"	29 1/2"

Notes:

- "B" includes the 3" thick base plate.
- "Raised hearth" requires additional rough opening height at "B" equal to the height of the raised hearth detail.
- Rough framing dimension for width "A" allows for the required 1 1/2" clearance at the sides of the Fireplace.
- Rough framing dimension for Height "B" will need to be increased by 7-1/2" if the Firelite application is utilized.
- Rough framing dimension for depth "C" allows for the required 1 1/2" clearance at the back of the Fireplace. 29 1/2" is only for an interior wall as most exterior wall framing have insulation, even if the wall is 2x6, the foam they spray expands so typically 31" is allowed on an exterior wall



Corner Installation Framing Dimensions

The following chart of dimensions detail the positioning of an MAGNUM Series fireplace in a corner. It also details the positioning of DM chimney where it must turn 45° degrees, if alignment is needed to overhead framing.

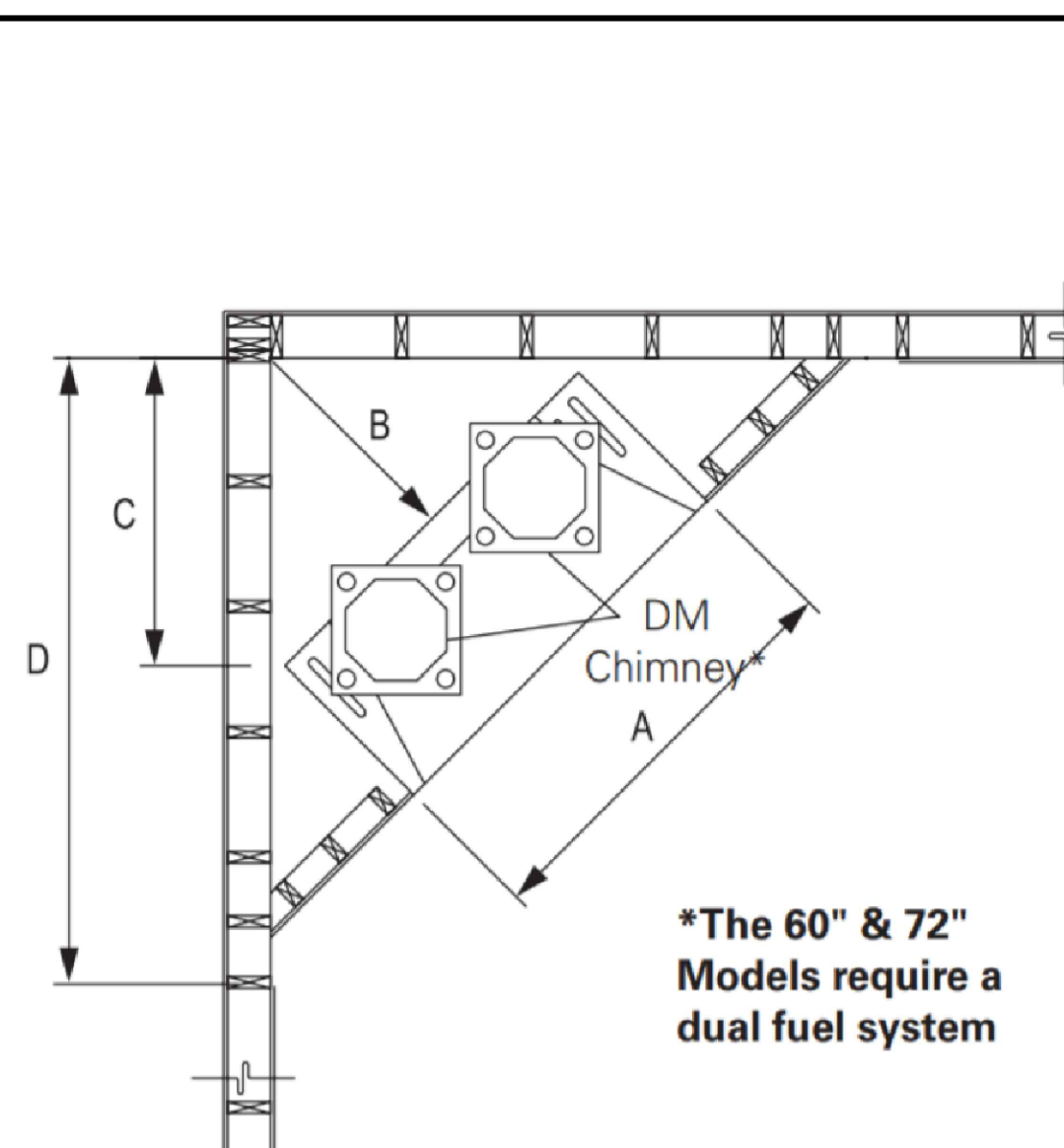
MAGNUM	A	B	C	D
Model 60	76 1/2"	39"	53 1/2"	102 1/2"
Model 72	88 1/2"	45"	62"	111"

To turn flue 45°, first set starting inner liner onto the top plate of the fireplace.

Next, set a DM outer casing onto the inner liner so that the outer casing is at 45° to the firebox and square to the overhead framing system. Run the vertical DM chimney through the overhead framing.

Offset blocks can be used, if necessary, to align with overhead framing before running the vertical DM chimney outer casing and liner.

NOTE: Support the third offset down to footings and at each third offset block thereafter.



Clearance to Combustible Trim - 60 & 72 Models

Hearth Extensions

All MAGNUM 60 & 72 fireplaces shall have hearth extensions of brick, concrete, stone, tile or other code approved non-combustible material. Suitable hearth extension material for the MAGNUM Series fireplace shall be placed on the hearth extension's non-combustible

substrate and must extend to at least thirty three inches (30") in front of the fireplace's finished opening and must extend to at least twelve inches (12") beyond the sides of the finished fireplace opening. (Figure 80 & 81)

WARNING: The non-combustible hearth extension, by code, must sit on non-combustible substrate which shall have no wood underpinnings.

This means that off-grade wood floor systems shall be constructed in such a way that all wood floor joists and sub-flooring shall stop twenty four inches (24") out from the front of the MAGNUM firebox. (Figure 81)

Mantel and Mantel Shelf Clearances

MAGNUM Series fireplaces are subject to the same building code safety clearances to combustible trim as with any radiant heat fireplace. All combustible trim shall be kept at least nine inches (9") from the finished fireplace opening. Combustible trim located along the sides of the fireplace opening, which project more than one and one-half inches (1 1/2") from the face of the fireplace, shall have additional clearance from the nine inches (9") equal to the projection. Combustible projecting mantel up to twelve inches (12") of projection - shall not be placed less than twenty four (24") from the top of the fireplace opening. Combustible Mantels which project more than twelve inches (12") from the face of the fireplace, shall have additional clearance from the twenty four inches (24") equal to the projection.

NOTE: The local authority having jurisdiction may require greater clearances for projection combustible Mantel shelves. Be sure to check local building codes regarding required clearances to projecting combustible Mantels.

Adjoining Walls

Side walls and walls to rooms adjoining the MAGNUM Series fireplace installations cannot be closer than forty eight inches (48") to the finished fireplace opening. (Figure 81)

NOTE: "Clearance to Combustible Trim" are those distances required to ensure that a fireplace Mantel or facing will not catch fire. In most cases the distances should also be adequate to prevent any discoloration or warping due to heat. However each installation presents a unique and completely different set of circumstances involving many variables. These include paint or finish composition, previous exposure to heat, methods and quality of construction, air flow patterns, etc. Because of these variables, the manufacturer does not guarantee that heat warping or discoloration will never occur.

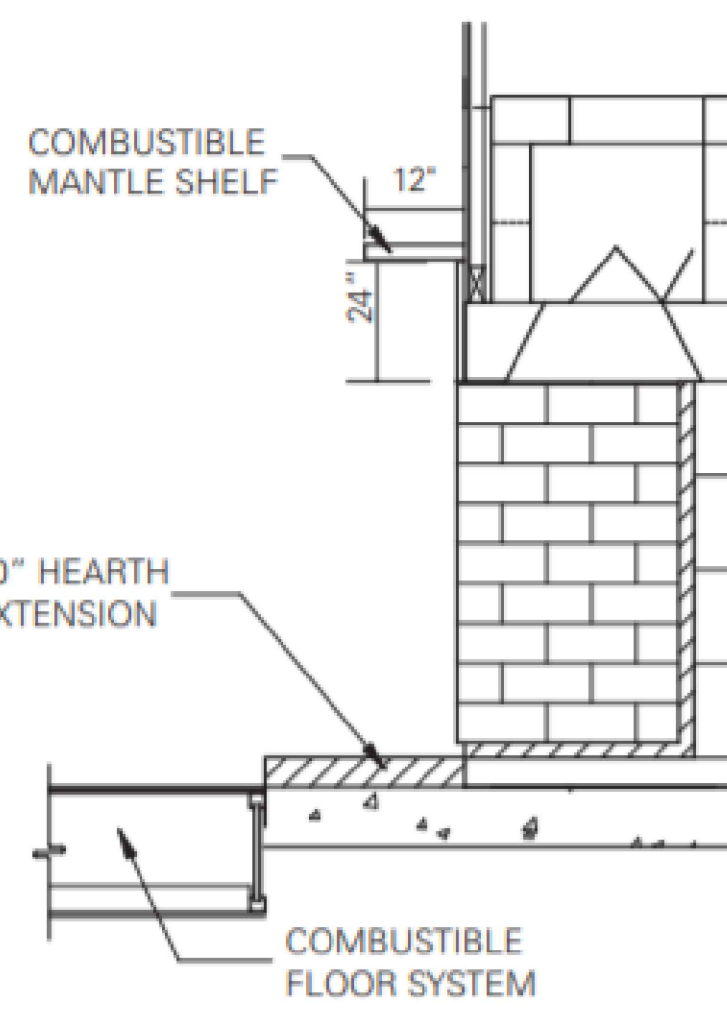


FIGURE 80

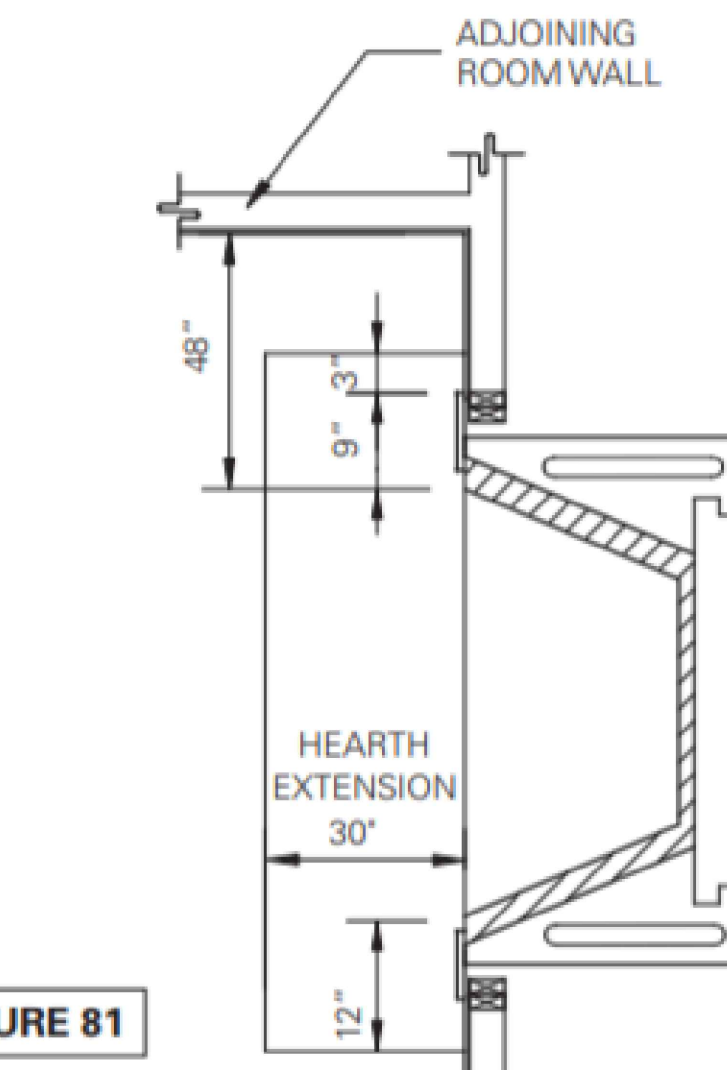


FIGURE 81

Magnum Series (All Fuel) Specifications

MANUFACTURER:

ISOKERN Fireplace and Chimney Systems, North America distribution by Earthcore Industries, LLC, Jacksonville, Florida (Telephone 800-642-2920)

PRODUCT DESCRIPTION:

Modular refractory masonry precast fireplace and chimney components.

- Designed for field assembly as a fireplace and chimney unit.
- All interlocking parts necessary for assembly of a complete firebox and smoke dome.
- Interlocking double module chimney components (DM).

MATERIALS:

- Light weight concrete of a proprietary mixture of Icelandic volcanic aggregate and cement for precast firebox, chimney block and flue liner components.
 - Compressive Strength: Firebox and Chimney Block: 972 psi.
 - Compressive Strength: Flue Liner: 1175 psi.
- Premixed (dry) EARTHCORE ADHESIVE.
 - Tensile strength: 807 psi; Compressive strength: 2460 psi.
 - Tested per ASTM C109, ASTM C307, and ANSI 118.4.
- Standard 1-1/8" thick high temperature refractory brick to line firebox interior for models 28"-48".
- Standard 1-1/8" thick high temperature refractory brick on the back wall & floor and 4" thickness of high temperature refractory brick on the sidewalls for models 60"-72".
- Standard cast iron poker-style damper (optional top mount or in-line damper available).

INSTALLATION:

- Reference manufacturer's installation instructions for standard configurations, weights, sizes and installation details.
- Suitable masonry foundation and noncombustible hearth extensions must be provided.
- Unit to be assembled on site per manufacturer's illustrated instructions.
 - Premixed EARTHCORE ADHESIVE is used at all joints between components.
 - Firebox to be lined with a minimum 1-1/8" thick rated firebrick (Models 28"-48").
 - Firebox back-wall and floor to be lined with a minimum 1-1/8" thick rated firebrick and 4" thick rated firebrick on side walls (Models 60"/72")
- A 1-1/2" minimum clearance to combustible materials is required.
- A 3" minimum clearance to insulation required.

CERTIFICATION:

- Warnock Hersey/Intertek Testing Services Report No. 632-912500; 3159656MID-008; 3082504-T1
- Magnum 60 & 72 PFS Testing Services Report No. F17-237.
- Meets or exceeds UL 103HT; UL 103; UL 127-99; UL 1777; ULC S610; ANSI 223.1.

CODE COMPLIANCE:

- SBCCI NO. 9626
- LARR NO. 25483
- NYC-MEA 241-90-E
- ICC Report NO. ESR-2316
- IBC 2006, IRC 2006, IMC 2006

NOTE: Isokern components are a natural material and slight variations in dimensions may occur. These should be no more than 1/8".

SCAN QR CODE FOR LATEST INSTALLATION MANUALS



PFS REPORT NO: F17-237

MODULAR REFRACTORY FIREPLACE

MAGNUM: 82060 82072

CERTIFIED TO: UL 127, ULC S610

SERIAL NO: N000001

MADE IN USA
CHESAPEAKE, VA 23323

HEADQUARTERS
JACKSONVILLE, FL 32256

CLEARANCE TO COMBUSTIBLES:	
SMOKE DOME FRONT AND ISOKERN CHIMNEY UNIT SIDES AND REAR	= 0 in.
COMBUSTIBLE SHEATHING ABOVE OPENING	= 1.5 in. (38mm)
TOP SHEATHING OR TRIM TO OPENING SIDES	= 24 in. (610mm)
MANTEL ABOVE OPENING	= 9 in. (229mm)
OPENING TO SIDEWALL	= 24 in. (610mm)
HEARTH EXTENSION BEYOND FRONT	= 48 in. (1219mm)
HEARTH EXTENSION BEYOND SIDES	= 30 in. (762mm)
COMBUSTIBLE FLOOR (MUST USE FIRE-LITE APPLICATION)	= 12 in. (305mm)
INSULATION FROM FIREBOX	= 7.5 in. (191mm)
	= 3 in. (76mm)

USE SOLID WOOD FUEL OR LISTED DECORATIVE GAS VENTED OR UNVENTED APPLIANCE. ALSO FOR USE WITH LISTED METAL CHIMNEY. FIRE-LITE APPLICATION TO USE ECO-STEEL CHIMNEY ONLY.

DO NOT USE A FIREPLACE INSERT OR OTHER PRODUCTS NOT SPECIFIED FOR USE WITH THIS PRODUCT. "WARNING" THIS FIREPLACE HAS NOT BEEN TESTED FOR USE WITH GLASS DOORS. TO REDUCE THE RISK OF FIRE OR INJURY, DO NOT INSTALL GLASS DOORS. IF DOORS ARE USED, OPERATE FIREPLACE WITH DOORS FULLY OPEN. WHEN BURNING A DECORATIVE GAS APPLIANCE IN THE FIREPLACE, LOCK THE DAMPER TO THE FULLY OPEN POSITION. DO NOT OPERATE AN UNVENTED GAS LOG SET IN THIS FIREPLACE WITH THE CHIMNEY REMOVED.

SEE INSTALLATION AND OPERATING INSTRUCTIONS FOR THIS MODEL AND ICC # ESR-2316,

CONTACT BUILDING OFFICIAL PRIOR TO INSTALLATION

UNLESS OTHERWISE STATED, ALL DIMENSIONS ARE IN MILLIMETERS		PROJECT: 60" MAGNUM	
UNSPECIFIED TOLERANCES:	THIRD ANGLE PROJECTION	DESCRIPTION: GENERAL INFORMATION AND SPECIFICATIONS	
ANG. X ±	⊕	MATERIAL:	
LEN. X ±		DRAWN: K.B.H.	
XX ±		DATE: 11/20/2023	
		APPROVED: _____	
		DATE: _____	
		SIZE: D	SCALE: N.T.S
		DRAWING #: 82060	REV: F
6888 Phillips Industrial Blvd. Jacksonville, FL 32256		DO NOT SCALE SHEET 1 OF 2	