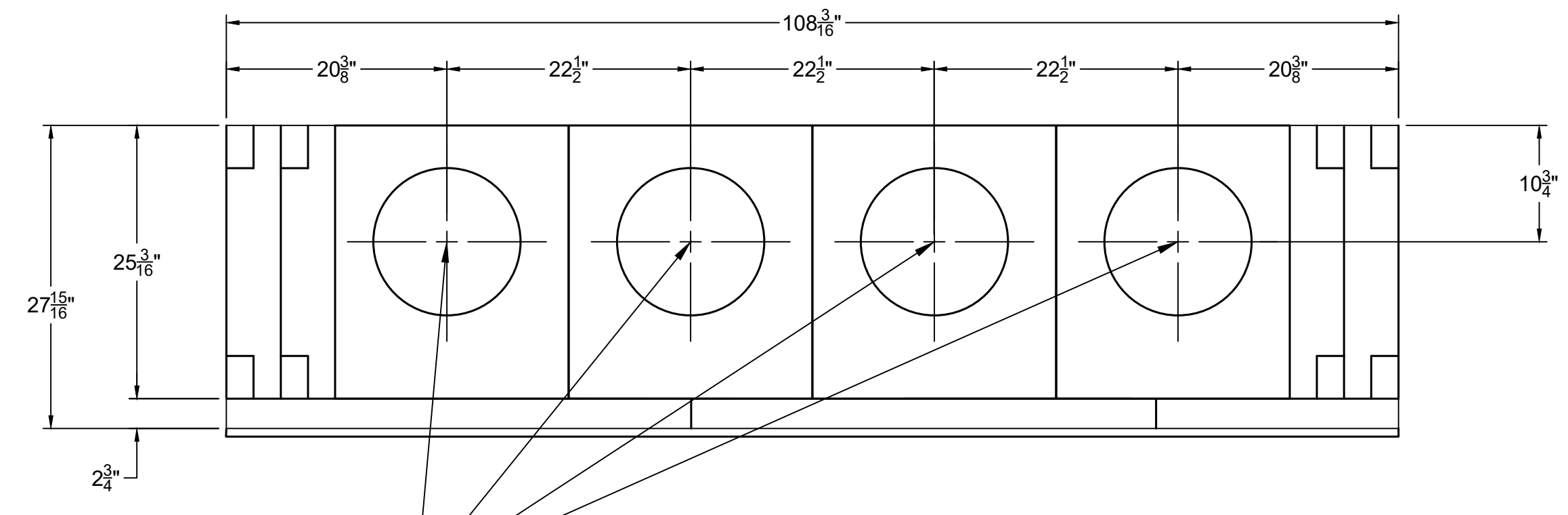


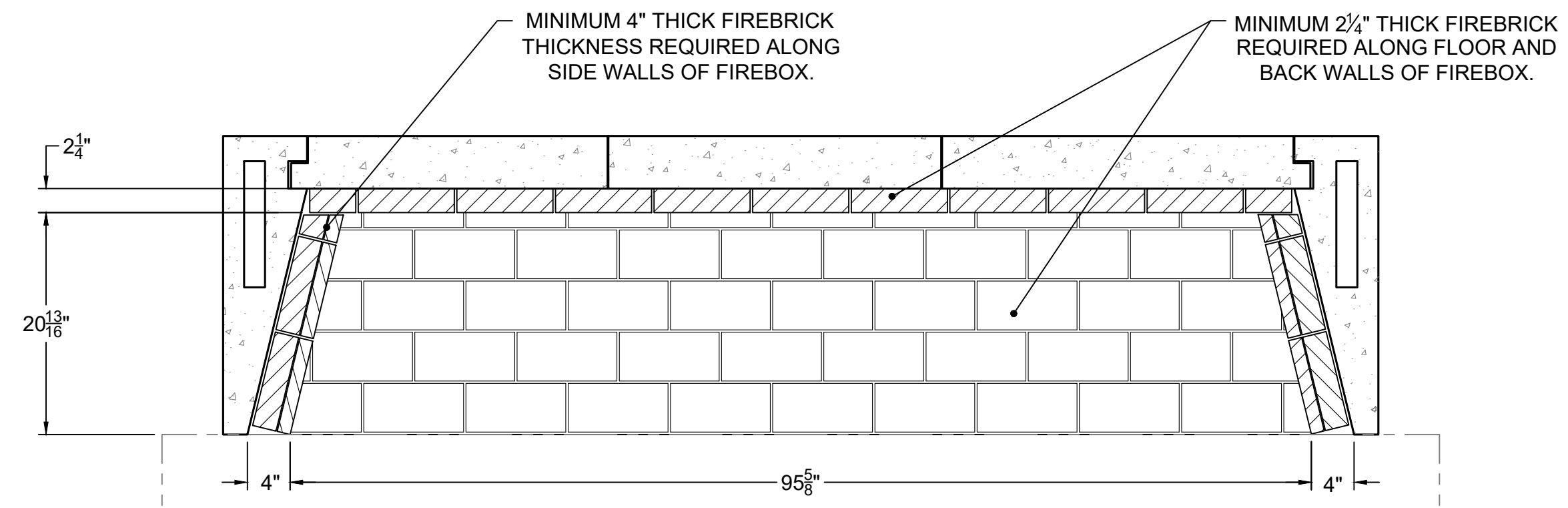
GENERAL NOTES

- FIREPLACE SHALL BE INSTALLED WITH THE MINIMUM CLEARANCES TO COMBUSTIBLES AS LISTED BELOW:
 - SMOKE DOME FRONT: 0"
 - SIDES AND REAR: 1.5"
 - COMBUSTIBLE SHEATHING ABOVE OPENING TOP: 24"
 - SHEATHING OR TRIM TO OPENING SIDES: 9"
 - MANTEL ABOVE OPENING: 24"
 - OPENING TO SIDEWALLS: 48"
 - HEARTH EXTENSION BEYOND FRONT: 30"
 - HEARTH EXTENSION BEYOND SIDES (FINISHED): 12"
 - COMBUSTIBLE FLOOR: NOT ALLOWED
 - INSULATION FROM FIREBOX (UNSHIELDED): 3"
- ISOKERN FIREBOX AND NONCOMBUSTIBLE HEARTH EXTENSION SHALL BE SUPPORTED BY CONCRETE SLAB WITH NO COMBUSTIBLE UNDERPINNINGS..
- IF YOU INSTALL A VENTED GAS LOG SET (DECORATIVE GAS APPLIANCE), THE LOG SET MUST COMPLY WITH THE STANDARD FOR DECORATIVE GAS APPLIANCE FOR INSTALLATION IN SOLID FUEL BURNING FIREPLACES, ANSI Z21.60 OR Z21.84 AND SHALL ALSO BE INSTALLED IN ACCORDANCE WITH THE NATIONAL FUEL GAS CODE, ANSI Z223/ NFPA 54; LATEST EDITION. IF YOU WISH TO INSTALL AN UNVENTED (VENT-FREE) GAS LOG SET, ONLY UNVENTED GAS LOG SETS WHICH HAVE BEEN FOUND TO COMPLY WITH THE STANDARD FOR UNVENTED ROOM HEATERS, ANSI Z21.11.2 ARE TO BE INSTALLED IN THIS FIREPLACE. CHECK LOCAL CODES FOR COMPLIANCE FOR UNVENTED (VENT FREE) GAS LOG SETS.
- 4" COMBUSTION AIR INLET KITS ARE RECOMMENDED BY EARTHCORE FOR THE STANDARD AND MAGNUM SERIES FIREPLACES AND MAY HELP IMPROVE FIREPLACE OPERATION IN HOMES TIGHTLY SEALED AND WITH OTHER VENTILATING APPLIANCES INSTALLED. IF THE INSTALLATION IS TO BE LONGER THAN TEN FEET (10'), THEN THE SIX INCH (6") ADAPTER WILL BE NEEDED. THIS ADAPTER WILL ATTACH TO THE EXISTING FOUR INCH (4") SLEEVE OUTSIDE OF THE UNIT. THE SIX INCH ADAPTER INCLUDES AN ADDITIONAL TWENTY FEET OF 6" FLEX HOSE, FOR A MAXIMUM RUN OF THIRTY FEET (30').
- THE MAGNUM+ SERIES FIREPLACES REQUIRE THE USAGE OF ECOSTEEL/ ECOSTEEL+; UL103 RATED; CLASS-A CHIMNEY ONLY
- DRAWINGS ARE FOR DESIGN PURPOSES ONLY AND ARE THE SOLE PROPERTY OF EARTHCORE INDUSTRIES. ANY REPRODUCTION OR UNAUTHORIZED USE IS STRICTLY PROHIBITED.
- EARTHCORE/ ISOKERN OR ANY DIVISION THEREOF SHALL NOT BE HELD LIABLE FOR ANY INCIDENTAL OR CONSEQUENTIAL DAMAGES OR EXPENSES ARISING OUT OF THE USE OF THE FIREPLACES OR CHIMNEY SYSTEMS.
- ALWAYS CHECK LOCAL BUILDING CODES GOVERNING FIREPLACES AND FIREPLACE INSTALLATIONS.



TOP VIEW

(4x) Ø345 FLUE OUTLET WITH ECOSTEEL/ ECOSTEEL+; UL103 RATED; CLASS-A CHIMNEY ONLY



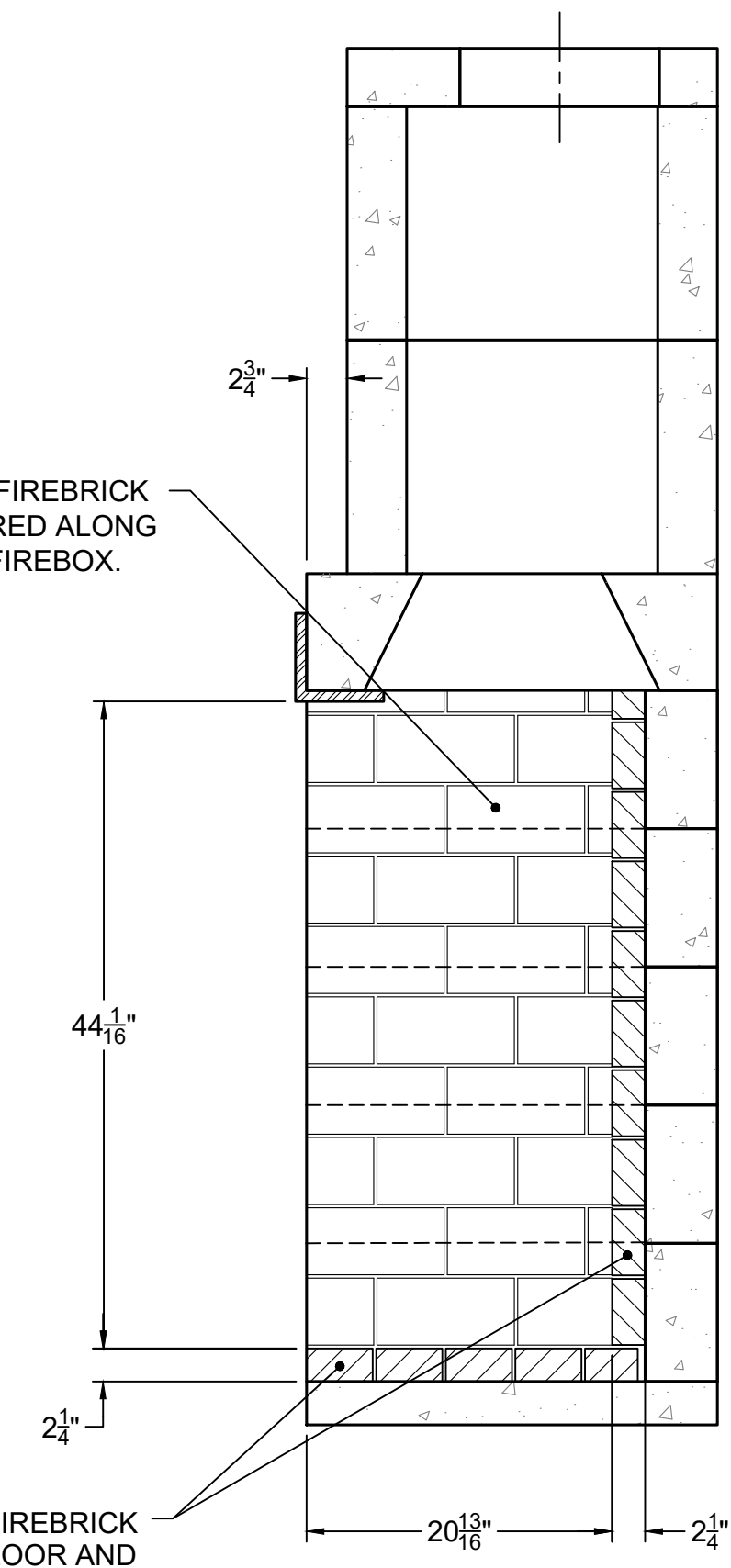
SECTION B-B

ISOKERN FIREBOX AND NONCOMBUSTIBLE HEARTH EXTENSION SHALL BE SUPPORTED BY CONCRETE SLAB WITH NO COMBUSTIBLE UNDERPINNINGS.

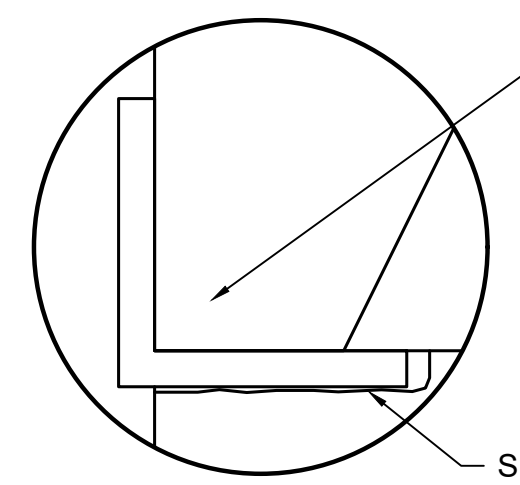
HEARTH EXTENSION SHALL EXTEND A MINIMUM OF 30" TO THE FRONT AND 12" TO THE SIDES OF FIREBOX'S FINISHED OPENING.

MINIMUM 4" THICK FIREBRICK THICKNESS REQUIRED ALONG SIDE WALLS OF FIREBOX.

MINIMUM 2 1/2" THICK FIREBRICK REQUIRED ALONG FLOOR AND BACK WALLS OF FIREBOX.



SECTION A-A



DETAIL A

6" x 6" x 3/4" STEEL ANGLE, 108-3/16" LONG REQUIRED.

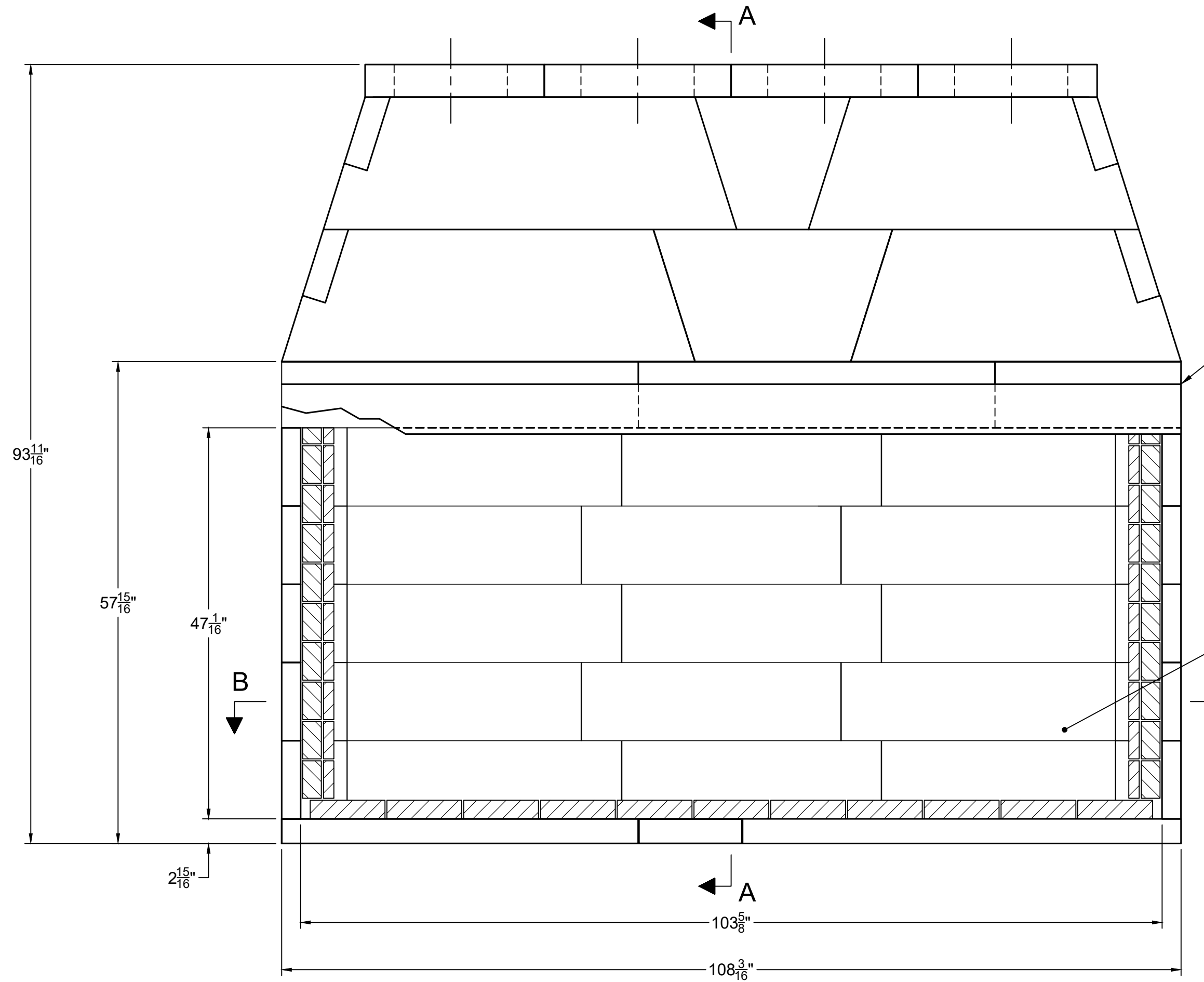
(NOT PROVIDED BY EARTHCORE, MUST SOURCE LOCALLY)

SIDE WALLS NOTCHED TO FLUSH THE ANGLE IRON W/ TOP OF WALL

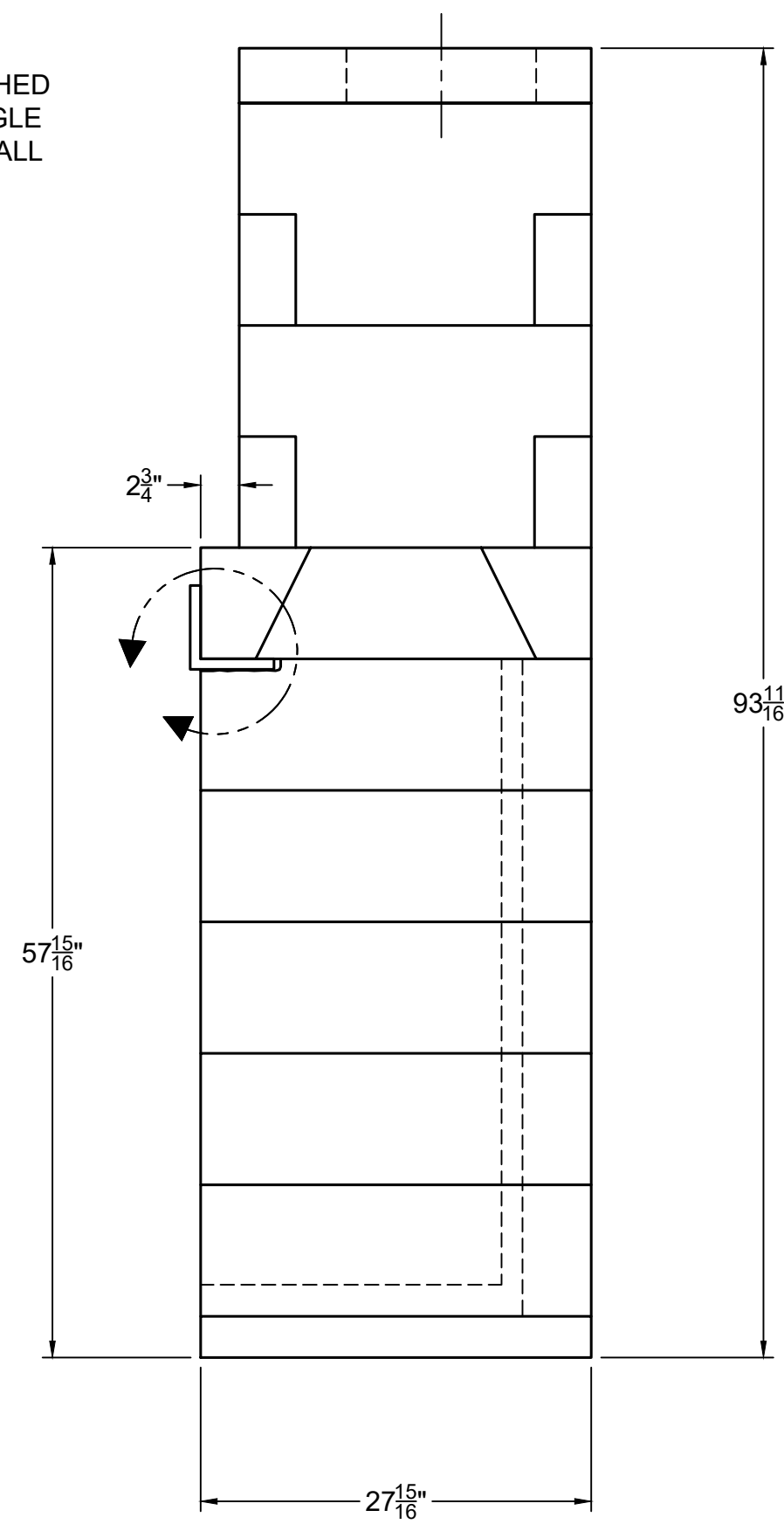
6" x 6" x 3/4" STEEL ANGLE, 108-3/16" LONG REQUIRED.

(NOT PROVIDED BY EARTHCORE, MUST SOURCE LOCALLY)

FOR CLARITY, BRICK NOT SHOWN ALONG BACK WALL

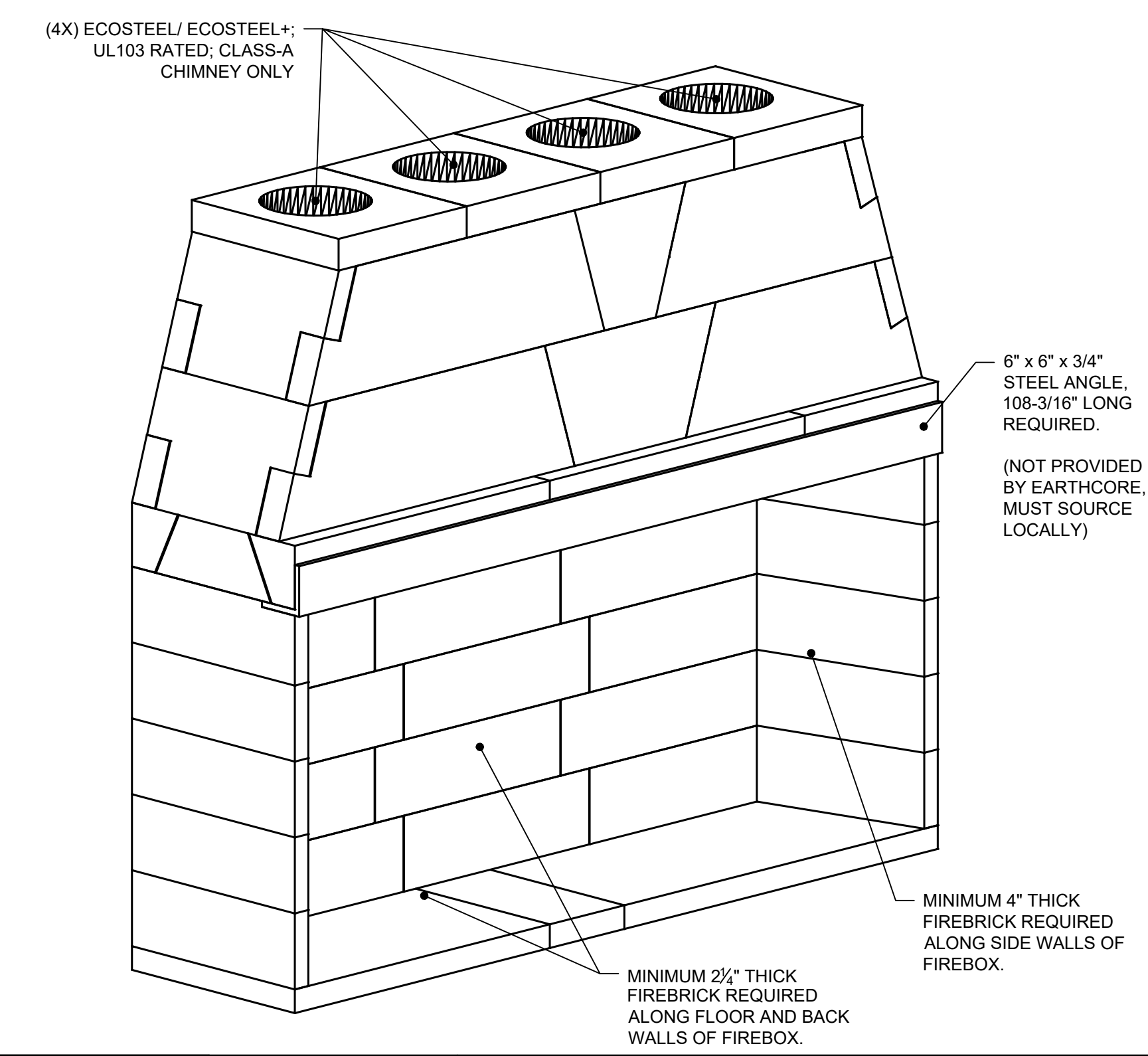


FRONT VIEW



RIGHT-SIDE VIEW

ISOMETRIC VIEW (N.T.S)



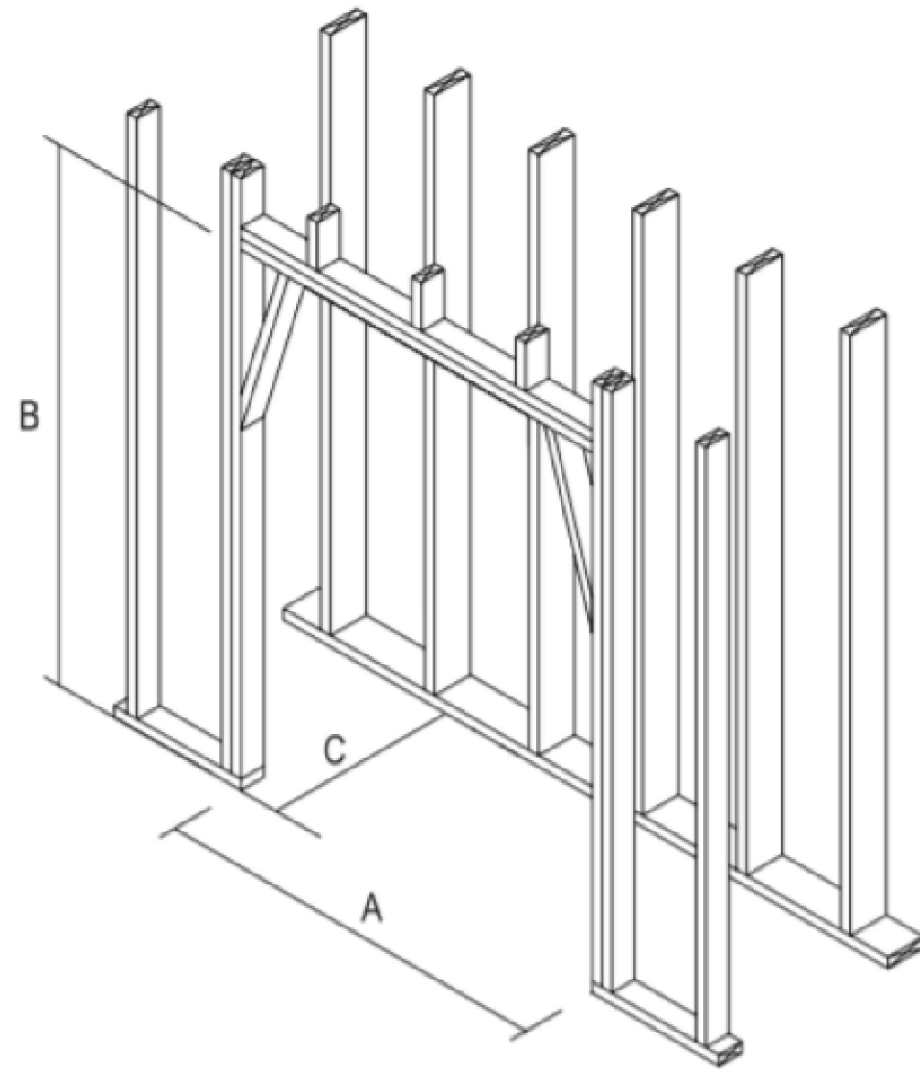
		UNLESS OTHERWISE STATED, ALL DIMENSIONS ARE IN MILLIMETERS THIRDS ANGLE PROJECTION DESCRIPTION: FIREPLACE CONSTRUCTION DOCUMENT PROJECT: 8' MAGNUM+ (82096)	
LIN. X ± X ± XX ±	TOLERANCES ANG. X ± X ± XX ±	MATERIAL: E.C. PUMICE MIXTURE DRAWN: K.B.H. APPROVED:	DATE: 11/10/2023 DATE: DATE: DATE:
6899 Philips Industrial Blvd. Jacksonville, FL 32256		SIZE: SCALE: 1"=1'-0" DRAWING #: 82096 SHEET # 1 OF 2	REV: D

TYPICAL INSTALLATION FRAMING DIMENSIONS

MAGNUM#	Width - A	Height - B	Depth - C
Model 84	99"	97"	29 1/2"
Model 96	111 1/2"	97"	29 1/2"
Model 108	123 1/2"	97"	29 1/2"
Model 120	135"	97"	29 1/2"

Notes:

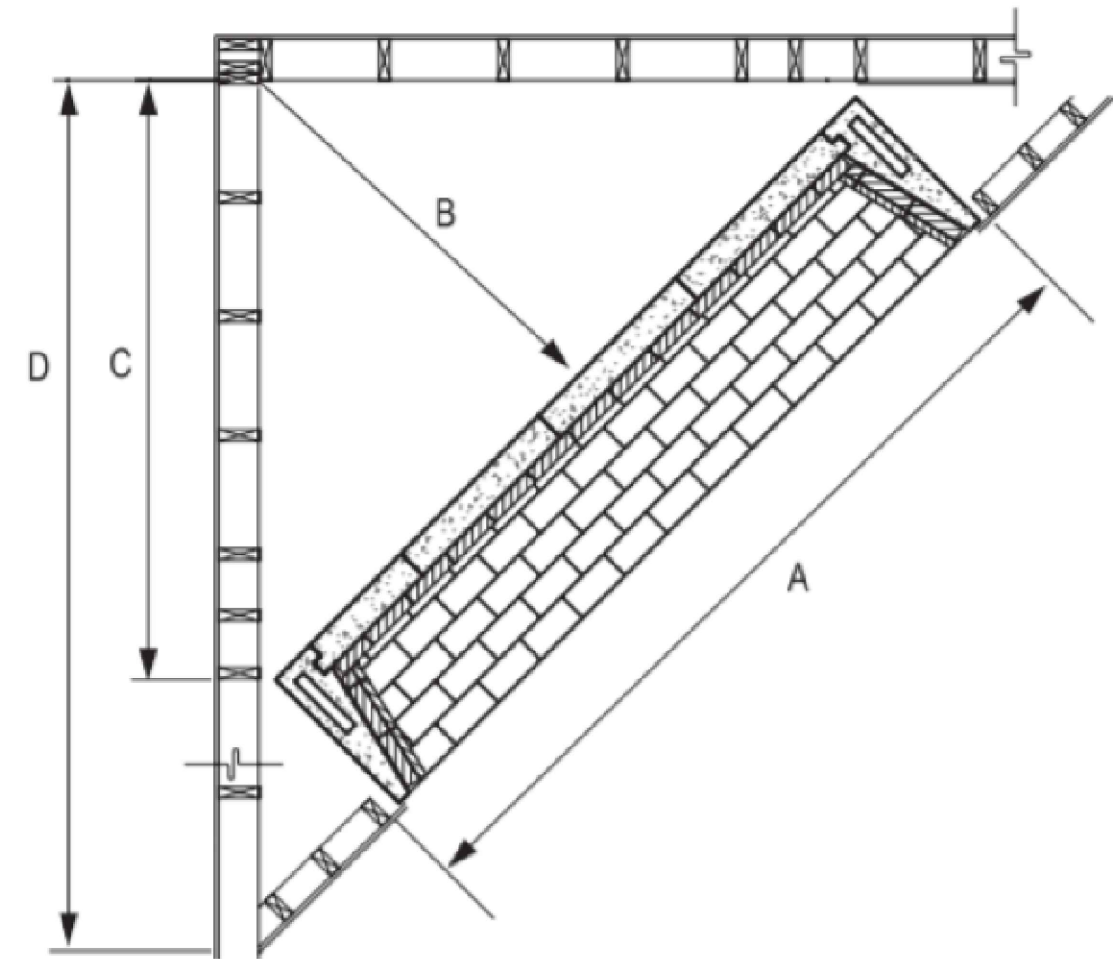
1. B includes the 3"-thick base plate.
2. "Raised hearth" requires additional rough opening height at B equal to the height of the raised hearth detail.
3. Rough framing dimension for width A allows for the required 1 1/2" clearance at the sides of the fireplace.
4. Rough framing dimension for depth C allows for the required 1 1/2" clearance at the back of the fireplace. 29 1/2" is only for an interior wall as most exterior wall framings have insulation. Even if the wall is 2x6", the foam sprayed expands, so typically 31" is allowed on an exterior wall



CORNER INSTALLATION FRAMING DIMENSION

The following chart of dimensions detail the positioning of a MAGNUM Series fireplace in a corner

MAGNUM#	A	B	C	D
Model 84	99"	62"	77 1/2"	127"
Model 96	111 1/2"	68"	86 1/2"	136"
Model 108	123 1/2"	74"	95"	144 1/2"
Model 120	135"	80"	103"	152 1/2"



CLEARANCE TO COMBUSTIBLE TRIM

HEARTH EXTENSIONS

All MAGNUM fireplaces shall have hearth extensions of brick, concrete, stone, tile or other code approved non-combustible material. Suitable hearth extension material for the MAGNUM Series fireplace shall be placed on the hearth extension's noncombustible substrate and must extend to at least thirty inches (30") in front of the fireplace's finished opening and must extend to at least twelve inches (12") beyond the sides of the finished fireplace opening (Figure 46 and 47).

WARNING: The non-combustible hearth extension, by code, must sit on non-combustible substrate, which shall have no wood underpinnings.

This means that off-grade wood floor systems shall be constructed in such a way that all wood floor joists and subflooring shall stop thirty inches (30") out from the front of the MAGNUM firebox (Figure 46).

MANTEL AND MANTEL SHELF CLEARANCES

MAGNUM Series fireplaces are subject to the same building code safety clearances to combustible trim as with any radiant heat fireplace.

All combustible trim shall be kept at least nine inches (9") from the finished fireplace opening. Combustible trim located along the sides of the fireplace opening, which project more than one and one-half inches (1 1/2") from the face of the fireplace, shall have additional clearance from the nine inches (9") equal to the projection. Combustible projecting mantels, with up to twelve inches (12") of projection, shall not be placed less than twenty four inches (24") from the top of the fireplace opening. Combustible mantels that project more than twelve inches (12") from the face of the fireplace shall have additional clearance from the twenty four inches (24") equal to the projection.

NOTE: The local authority having jurisdiction may require greater clearances for projection combustible mantel shelves. Be sure to check local building codes regarding required clearances to projecting combustible mantels.

ADJOINING WALLS

Side walls and walls to rooms adjoining the MAGNUM Series fireplace installations cannot be closer than forty eight inches (48") to the finished fireplace opening (Figure 47).

NOTE: "Clearance to Combustible Trim" are those distances required to ensure that a fireplace mantel or facing will not catch fire. In most cases, the distances should also be adequate to prevent any discoloration or warping due to heat. However each installation presents a unique and completely different set of circumstances involving many variables. These include paint or finish composition, previous exposure to heat, methods and quality of construction, air flow patterns, etc. Because of these variables, the manufacturer does not guarantee that heat warping or discoloration will never occur.

FIGURE 46

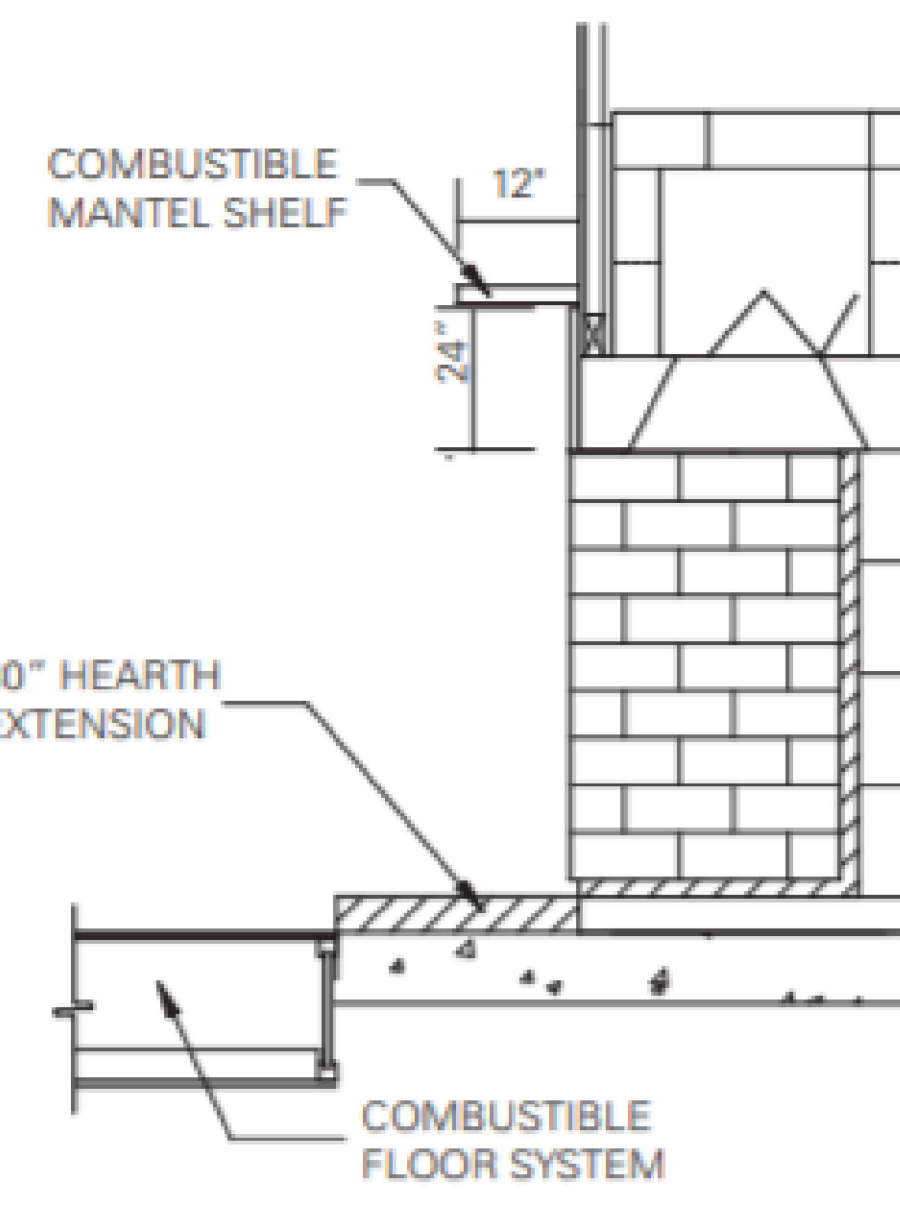
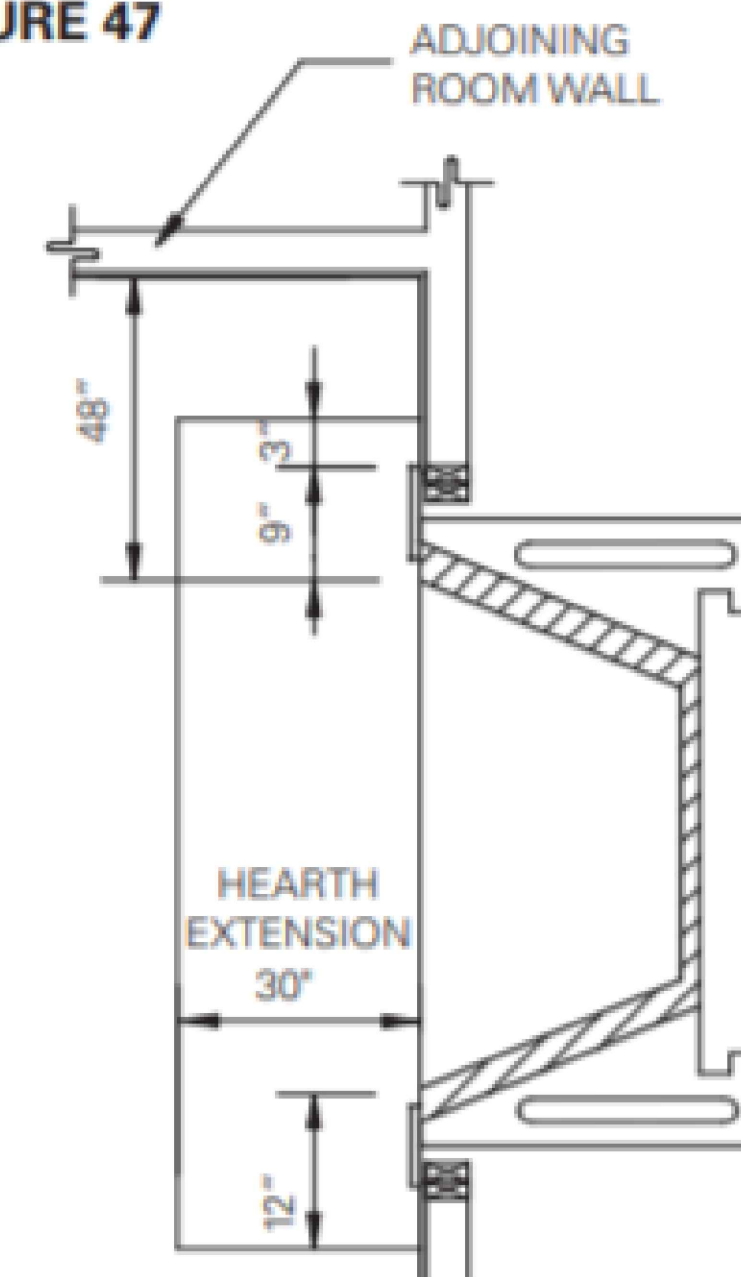


FIGURE 47



Magnum+ Series (All Fuel) Specifications

MANUFACTURER:

ISOKERN Fireplace and Chimney Systems, North America distribution by Earthcore Industries, LLC, Jacksonville, Florida (Telephone 800-642-2920)

PRODUCT DESCRIPTION:

Modular refractory masonry precast fireplace and chimney components.

1. Designed for field assembly as a fireplace and chimney unit.
2. All interlocking parts necessary for assembly of a complete firebox and smoke dome.
3. ECOSTEEL/ ECOSTEEL+ Class-A Flue Only.

MATERIALS:

- A. Light weight concrete of a proprietary mixture of Icelandic volcanic aggregate and cement for precast firebox.
 1. Compressive Strength: Firebox: 972 psi.
- B. Premixed (dry) EARTHCORE ADHESIVE.
 1. Tensile strength: 807 psi; Compressive strength: 2460 psi.
 2. Tested per ASTM C109, ASTM C307, and ANSI 118.4.
- C. "Full" 2-1/2" thick high temperature refractory brick on the back wall & floor.
- D. 4" thickness of high temperature refractory brick on the sidewalls.
- D. ECOSTEEL/ ECOSTEEL+ Anchor Plate w/ Damper, MMR Bottom Mount (Optional Chimney top damper or in-line damper available).

INSTALLATION:

- A. Reference manufacturer's installation instructions for standard configurations, weights, sizes and installation details.
- B. Suitable masonry foundation and noncombustible hearth extensions must be provided.
- C. Unit to be assembled on site per manufacturer's illustrated instructions.
 1. Premixed EARTHCORE ADHESIVE is used at all joints between components.
 2. "Full" 2-1/2" thick high temperature refractory brick on the back wall & floor.
 3. 4" thickness of high temperature refractory brick on the sidewalls.
- D. A 1-1/2" minimum clearance to combustible framing materials is required at unit sides and rear. Refer to Installation manual or rating plate for all other clearances
- E. A 3" minimum clearance to insulation required.

CERTIFICATION:

- A. PFS Listing Services Report NO. F17-237
- B. ICC Report NO. ESR-2316
- C. Meets or exceeds UL 103; UL 127-99; ULC S610; ANSI 223.1.

NOTE: Isokern components are a natural material and slight variations in dimensions may occur. These should be no more than 1/8".

SCAN QR CODE FOR LATEST INSTALLATION MANUALS



PFS REPORT NO: F17-237

MODULAR REFRACTORY FIREPLACE

Magnum+: 82084 82096 82108 82120

COMPLIES WITH APPLICABLE REQ. OF UL 127, ULC S610

SERIAL NO: 0000001

EARTH CORE INDUSTRIES

MADE IN USA

CHESAPEAKE, VA 23323

HEADQUARTERS

JACKSONVILLE, FL 32256

CLEARANCE TO COMBUSTIBLES:

UNIT FRONT	= 0 in.
UNIT SIDES AND REAR	= 1.5 in. (38 mm)
COMBUSTIBLE SHEATHING ABOVE OPENING TOP	= 24 in. (610 mm)
SHEATHING OR TRIM TO OPENING SIDES	= 9 in. (229 mm)
MANTLE ABOVE OPENING	= 24 in. (610 mm)
OPENING TO SIDEWALL	= 48 in. (1219 mm)
HEARTH EXTENTION BEYOND FRONT	= 30 in. (762 mm)
HEARTH EXTENTION BEYOND SIDES	= 12 in. (305 mm)
COMBUSTIBLE FLOOR	= NA
INSULATION FROM FIREBOX	= 3 in. (76 mm)

FOR USE WITH SOLID WOOD FUEL OR LISTED DECORATIVE GAS VENTED OR UNVENTED APPLIANCE.

USE ECOSTEEL OR ECOSTEEL+ METAL CHIMNEY ONLY.

DO NOT USE A FIREPLACE INSERT OR OTHER PRODUCTS NOT SPECIFIED FOR USE WITH THIS PRODUCT. "WARNING" THIS FIREPLACE HAS NOT BEEN TESTED FOR USE WITH GLASS DOORS. IF DOORS ARE TO BE USED, OPERATE FIREPLACE WITH DOORS FULLY OPEN. WHEN BURNING A DECORATIVE GAS APPLIANCE IN THE FIREPLACE, LOCK THE DAMPER TO THE FULLY OPEN POSITION.

SEE INSTALLATION AND OPERATING INSTRUCTIONS FOR THIS MODEL AND ICC # ESR-2316.

CONTACT BUILDING OFFICIAL PRIOR TO INSTALLATION

	UNLESS OTHERWISE STATED, ALL DIMENSIONS ARE IN MILLIMETERS		PROJECT: 8' MAGNUM+ (82096)	
	UNSPECIFIED TOLERANCES:	THIRD ANGLE PROJECTION	DESCRIPTION: GENERAL INFORMATION AND SPECIFICATIONS	
ANG. X ±	X ±	MATERIAL:		
LIN. X ±	X ±	DRAWN: K.B.H.	DATE: 11/10/2023	SIZE: D
XX ±	X ±	APPROVED:	DATE:	SCALE: N.T.S.
DRAWING # 82084		SHEET 2 OF 2		REV: D