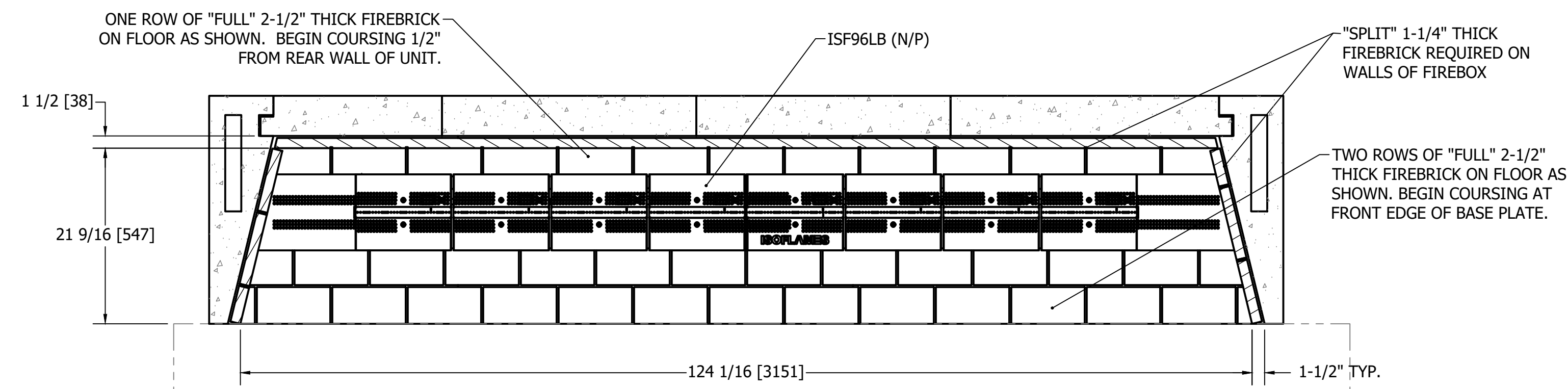


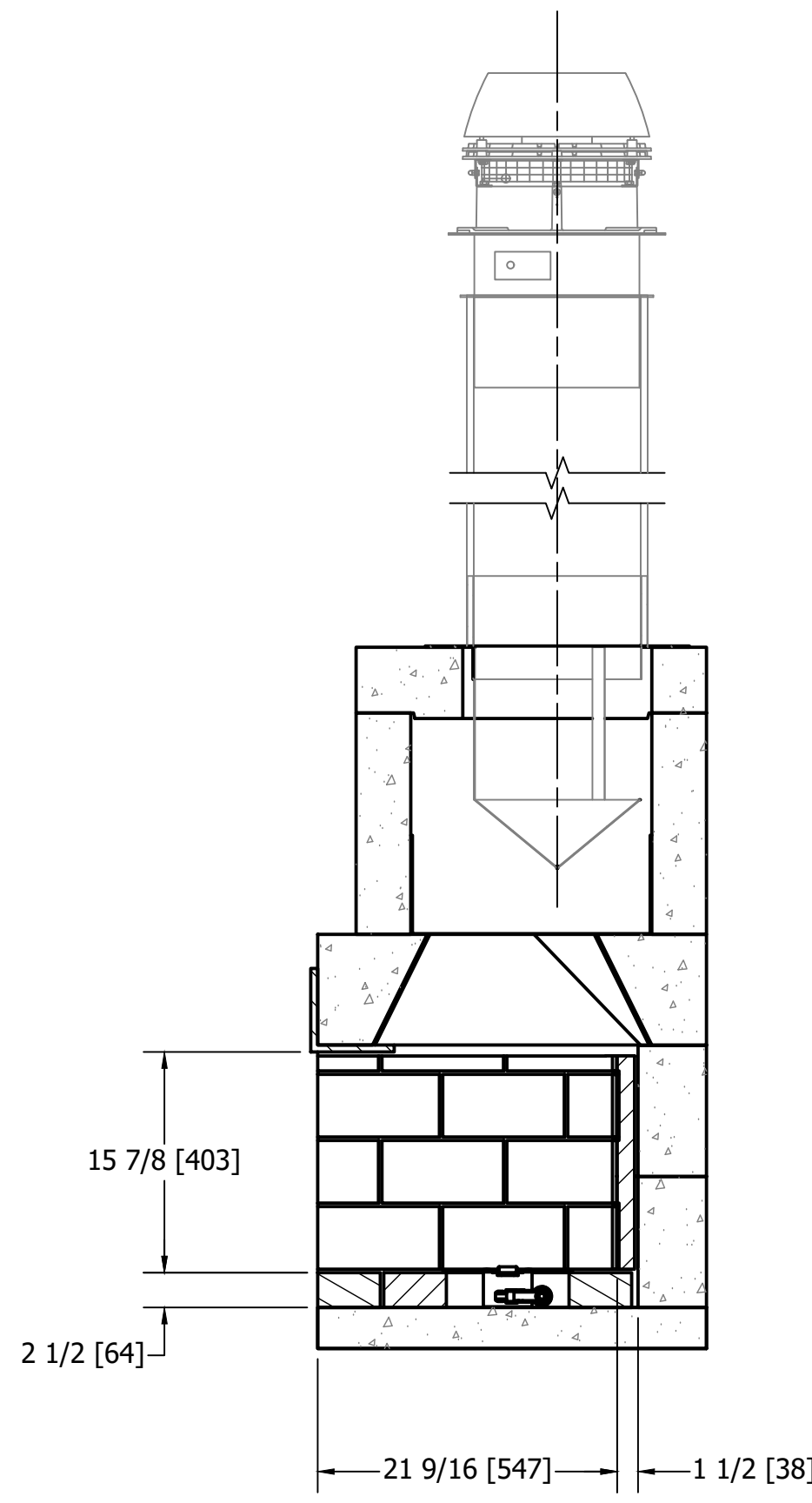
Ø345 [Ø13 9/16"]
FLUE OUTLET; 12" B-VENT PIPE W/
DOWN-DRAFT DIVERTER; 12" MFD;
RS014 FAN REQUIRED

TOP VIEW

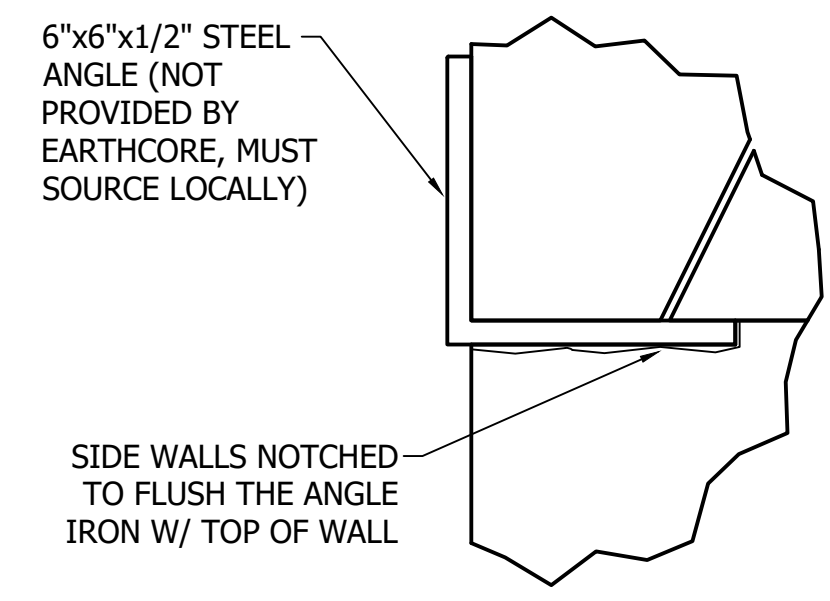


SECTION A-A

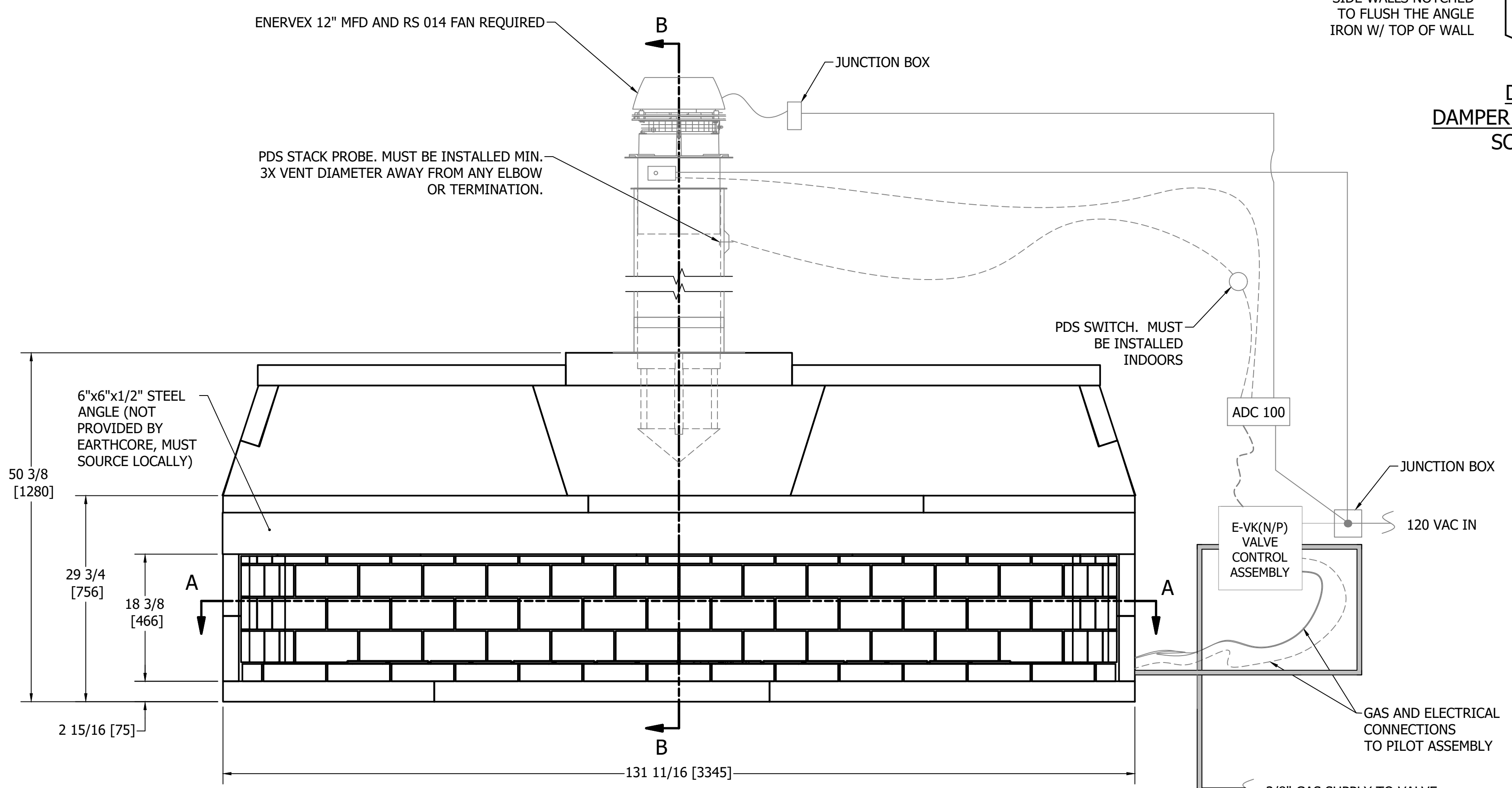
THE REQUIRED HEARTH EXTENSION SHALL
EXTEND A MINIMUM OF 20" TO THE FRONT AND
12" TO THE SIDES OF FIREBOX'S FINISHED
OPENING.



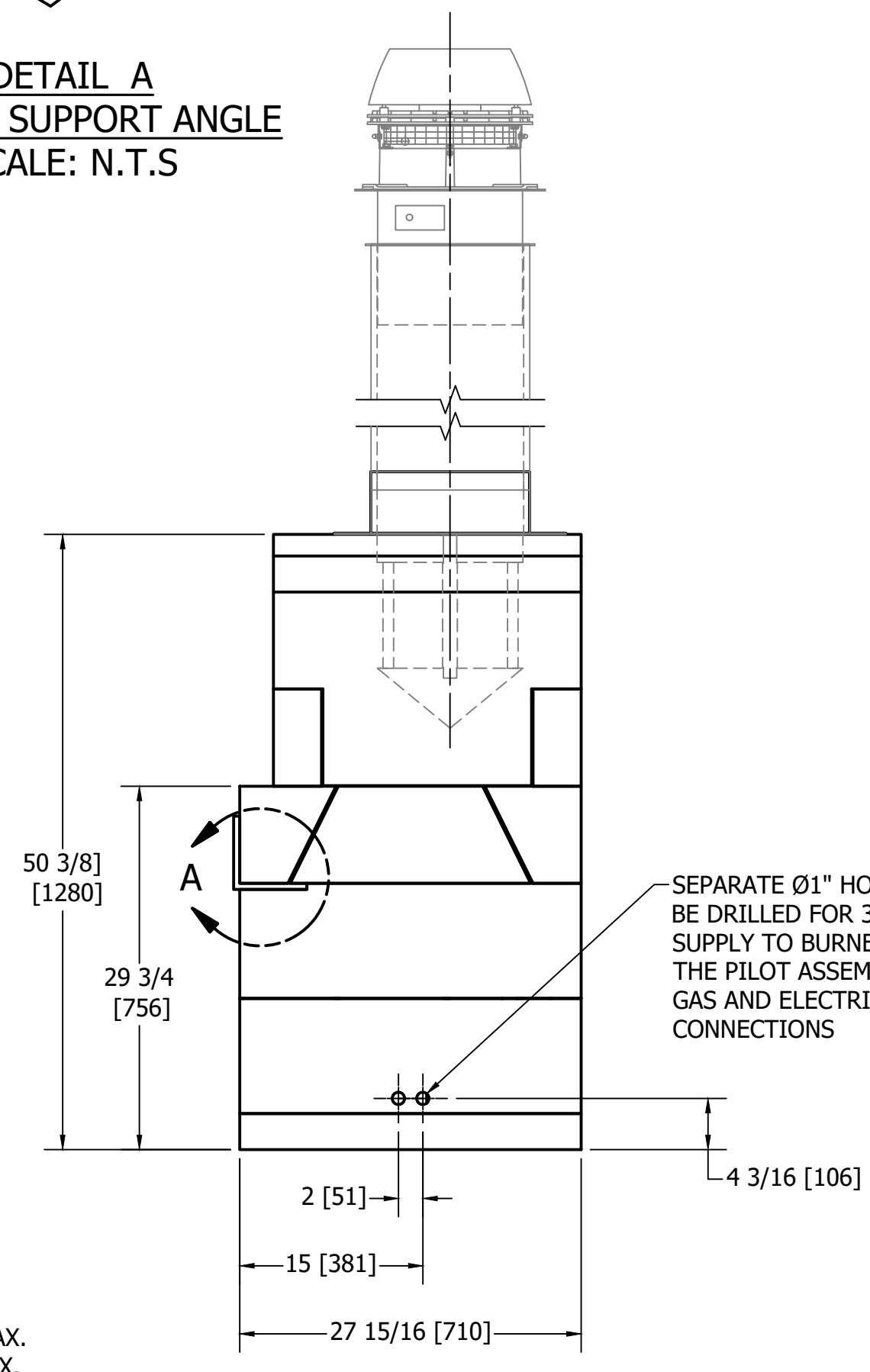
SECTION B-B



DETAIL A
DAMPER SUPPORT ANGLE
SCALE: N.T.S



FRONT VIEW



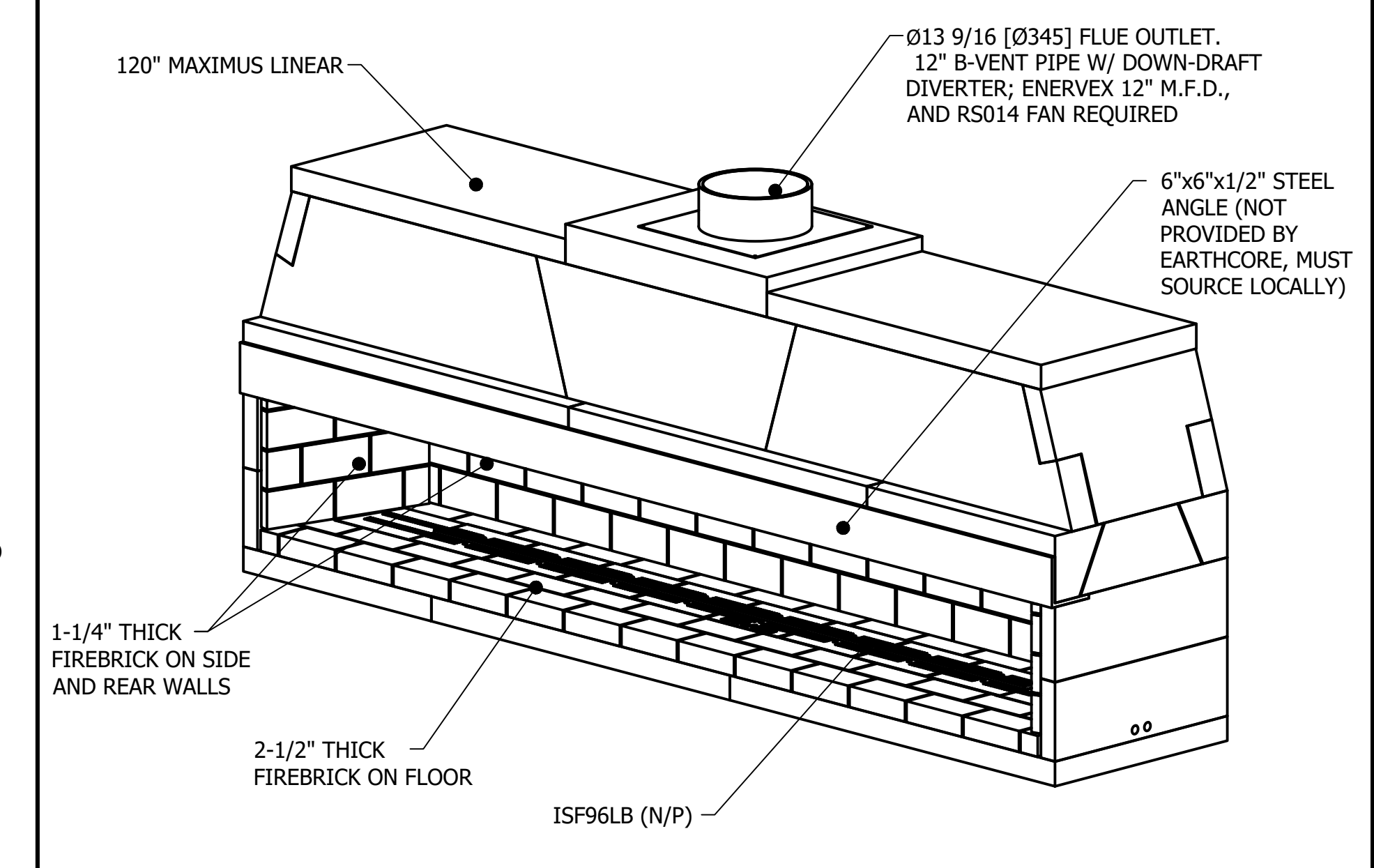
RIGHT-SIDE VIEW

PARTS LIST		
PART NUMBER	QTY	DESCRIPTION
82L120	1	ISOKERN MAXIMUS LINEAR-120
N/A	1	6"x6"x1/2" STEEL ANGLE (NOT PROVIDED BY EARTHCORE, MUST SOURCE LOCALLY)
ISF96LB (N/P)	1	96" LINEAR BURNER ASSEMBLY AND VALVE/ CONTROLS (N: NATURAL GAS/ P: PROPANE)
12MDD	1	METAL- FAB 12" B-VENT DOWN DRAFT DIVERTER
OAK12NG	2	4" OUTSIDE AIR KIT (OPTIONAL)
302.0100.1200	1	ADC 100 W/ PDS
101.0699.1200	1	ENERVEX RS014 FAN
216.0200.1212	1	ENERVEX 12" MFD FOR RS 014 FAN

GENERAL NOTES

- THE ISOKERN 120" MAXIMUS LINEAR FIREPLACE IS A TOP-VENTED, GAS ONLY FIREPLACE THAT IS APPROVED FOR USE ONLY WITH THE ISOFLAMES LINEAR BURNER SYSTEM AS SHOWN IN THIS DRAWING (ISF96LB(N/P)). USAGE OF ANY OTHER BURNER IN THIS FIREPLACE IS PROHIBITED AND WILL ABSOLVE EARTHCORE/ ISOKERN OR ANY DIVISION THEREOF FOR ANY INCIDENTAL OR CONSEQUENTIAL DAMAGES OR EXPENSES ARISING OUT OF THE USE OF THIS FIREPLACE.
- THIS FIREPLACE'S BURNER SYSTEM (ISF96LB N/P) COMES WITH A GAS CONTROL VALVE ASSEMBLY (E-VK(N/P)) THAT INCLUDES AN AUTOMATIC DRAFT AND SAFETY SYSTEM.
- THIS APPLIANCE IS ONLY FOR USE WITH THE TYPE OF GAS INDICATED ON THE BURNER RATING PLATE. VERIFY GAS SUPPLY AND BURNER/ VALVE ARE OF SAME TYPE PRIOR TO INSTALLATION.
- THE EXHAUST FLUE GASES ARE TO BE VENTED THROUGH THE TOP OF THE UNIT WITH 12" METAL-FAB UL LISTED B-VENT PIPING WITH DOWN-DRAFT DIVERTER. THIS TWELVE INCH (12") DIAMETER, DOUBLE WALL B-VENTING SYSTEM IS NOT SUPPLIED BUT IS REQUIRED FOR PROPER OPERATION.
- THE MAXIMUS LINEAR SERIES FIREPLACES SHALL BE INSTALLED WITH THE MINIMUM CLEARANCES TO COMBUSTIBLES AS LISTED BELOW:
 - UNIT FRONT: 0"
 - SIDES AND REAR: 1.5"
 - COMBUSTIBLE SHEATHING ABOVE OPENING TOP: 8"
 - SHEATHING OR TRIM TO OPENING SIDES: 8"
 - MANTEL ABOVE OPENING: 12"
 - OPENING TO SIDEWALLS: 24"
 - HEARTH EXTENSION BEYOND FRONT: 20"
 - HEARTH EXTENSION BEYOND SIDES (FINISHED): 12"
 - COMBUSTIBLE FLOOR: 0" (MUST USE ISOKERN BASE PLATE, "FULL" 2-1/2" FIREBRICK, AND ISOFLAMES LINEAR BURNER/ VALVE)
 - INSULATION FROM FIREBOX (UNSHIELDED): 3"
- THIS DESIGN REQUIRES MECHANICAL VENTILATION ASSISTANCE FOR GAS-ONLY OPERATION. VENT PATHS ARE LIMITED TO A MAXIMUM OF TWO 90° ELBOWS AND MAY TERMINATE EITHER VERTICALLY OR HORIZONTALLY. REFER TO INSTALLATION MANUAL FOR MAXIMUM VENT LENGTHS AND ADDITIONAL INFORMATION REGARDING FLUE RUNS. THE 82L120 WILL UTILIZE THE FOLLOWING ENERVEX SETUP:
 - DAMPER: ENERVEX 12" MFD FOR RS014
 - FLUE: METAL FAB Ø12" B-VENT (INSTALLATION MUST UTILIZE THE DOWN DRAFT DIVERTER STYLE ANCHOR PLATE)
 - FAN: ENERVEX RS014
 - CONTROLS: ENERVEX ADC 100 WITH PDS
- ENSURE 120VAC IS PROVIDED TO ENERVEX EXHAUST FANS AND CONTROLS. CONTROLS SHALL BE LOCATED IN ACCESSIBLE LOCATION.
- ALL ACCESSORIES/ EQUIPMENT INSTALLED WITH THIS FIREPLACE TO BE INSTALLED ACCORDING TO MANUFACTURER'S SPECIFICATIONS.
- INSTALL AND SUPPORT ALL FLUE TO ALL MANUFACTURER SPECIFICATIONS. ENSURE MIN.1" CLEARANCE TO COMBUSTIBLES IS KEPT AT ALL TIMES.
- DRAWINGS ARE FOR DESIGN PURPOSES ONLY AND ARE THE SOLE PROPERTY OF EARTHCORE INDUSTRIES. ANY REPRODUCTION OR UNAUTHORIZED USE IS STRICTLY PROHIBITED.
- EARTHCORE/ ISOKERN OR ANY DIVISION THEREOF SHALL NOT BE HELD LIABLE FOR ANY INCIDENTAL OR CONSEQUENTIAL DAMAGES OR EXPENSES ARISING OUT OF THE USE OF THE FIREPLACES OR CHIMNEY SYSTEMS.
- ALWAYS CHECK LOCAL BUILDING CODES GOVERNING FIREPLACES AND FIREPLACE INSTALLATIONS.

ISOMETRIC VIEW (N.T.S.)



		UNLESS OTHERWISE STATED, ALL DIMENSIONS ARE IN INCHES UNDEFINED TOLERANCES THIRD ANGLE PROJECTION		PROJECT: 10' MAXIMUS LINEAR DESCRIPTION: FIREPLACE CONSTRUCTION DOCUMENT MATERIAL: E.C. PUMICE MIXTURE	
ANG. A ±	ANG. B ±	ANG. C ±	ANG. D ±	DATE: 11/10/2023	SIZE: D
LIN. X ±	LIN. XX ±	LIN. XXX ±	APPROVED: K.B.H.	DATE: 11/10/2023	SCALE: 1"=1'-0"
			DRAWING #: 82L120		REV: C