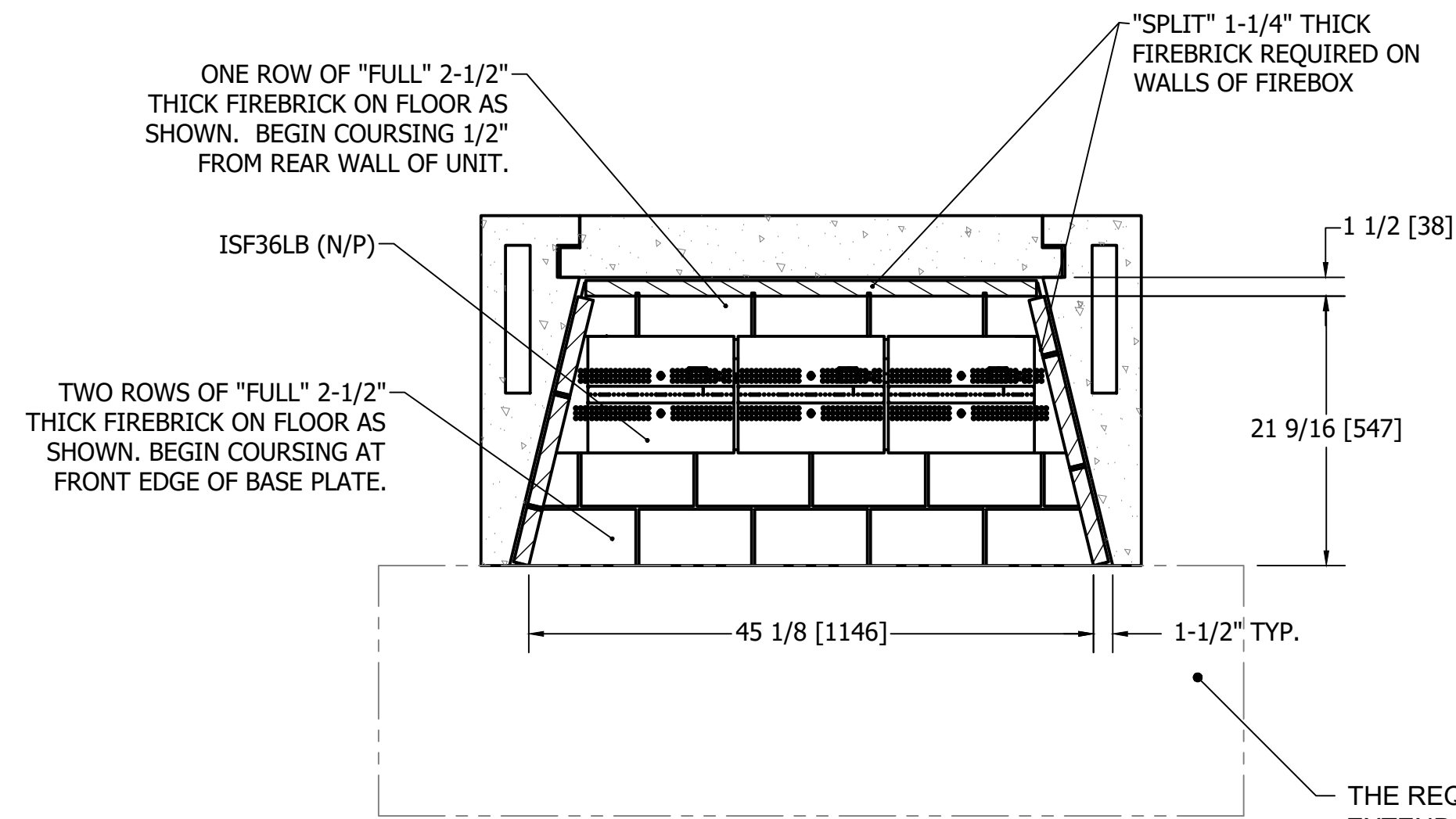


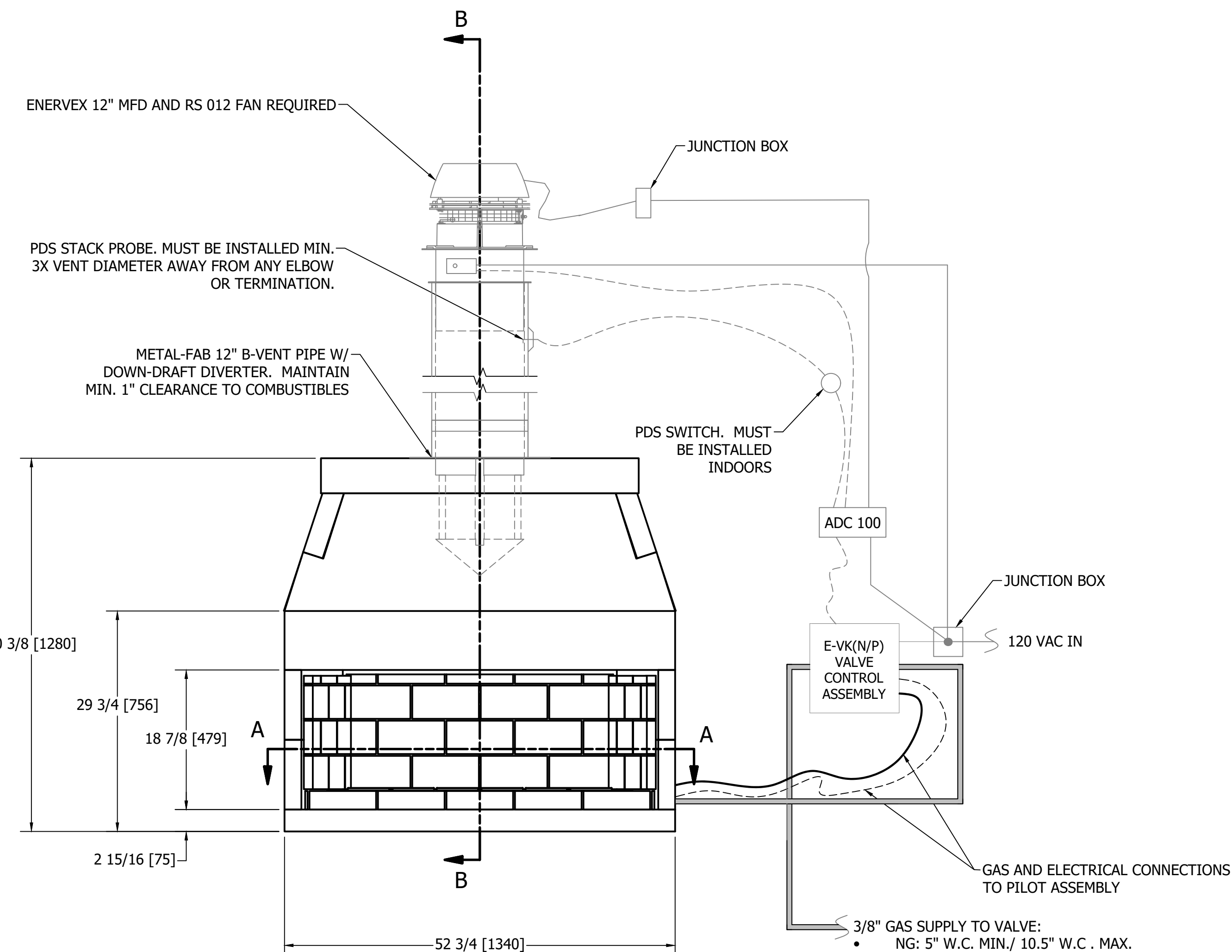
TOP VIEW

Ø345mm [13 9/16"] FLUE OUTLET.  
12" B-VENT PIPE W/ DOWN-DRAFT  
DIVERTER; ENERVEX 12" MFD,  
AND RS012 FAN REQUIRED.



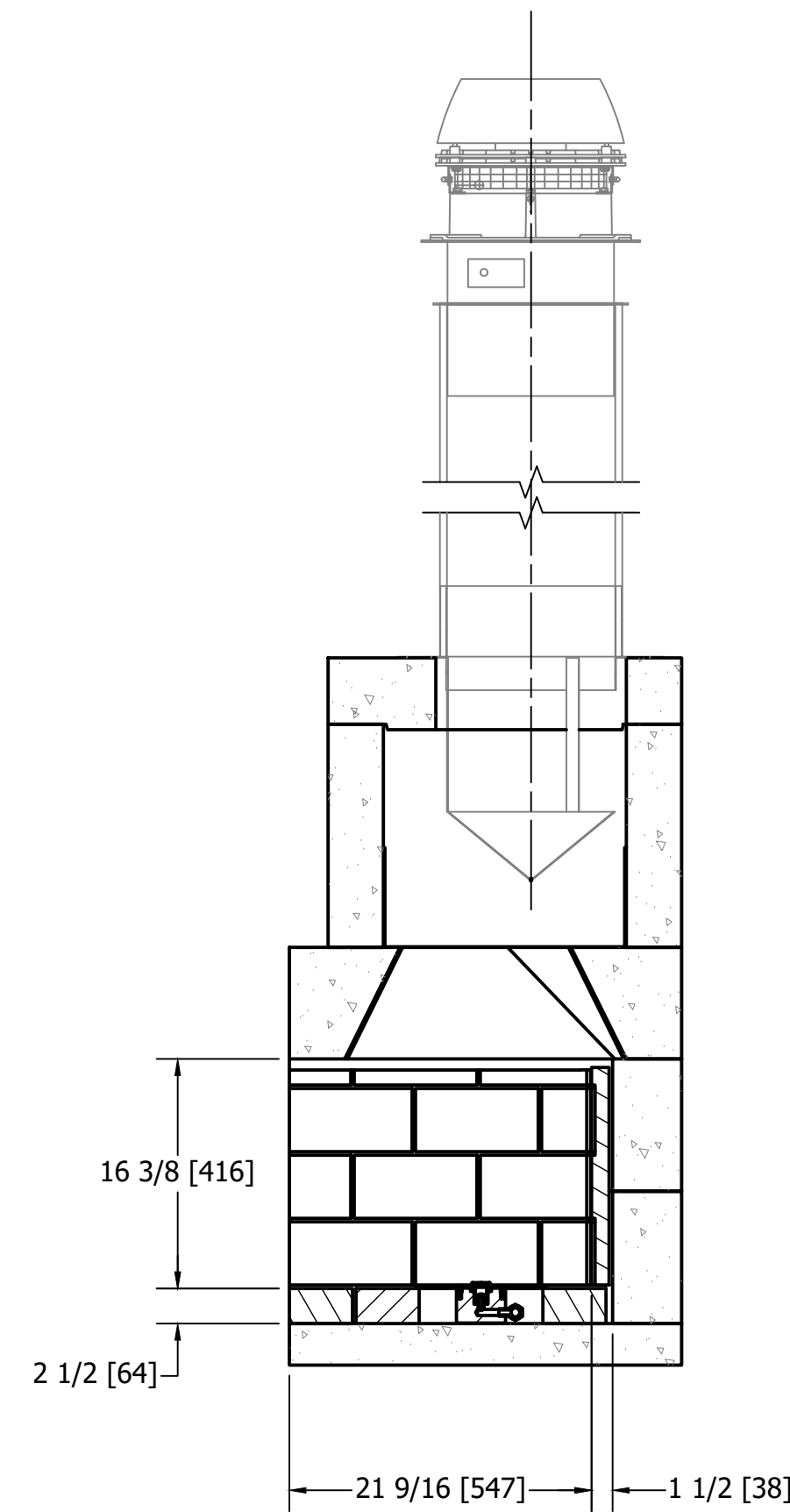
SECTION A-A

THE REQUIRED HEARTH EXTENSION SHALL  
EXTEND A MINIMUM OF 20" TO THE FRONT AND  
12" TO THE SIDES OF FIREBOX'S FINISHED  
OPENING.

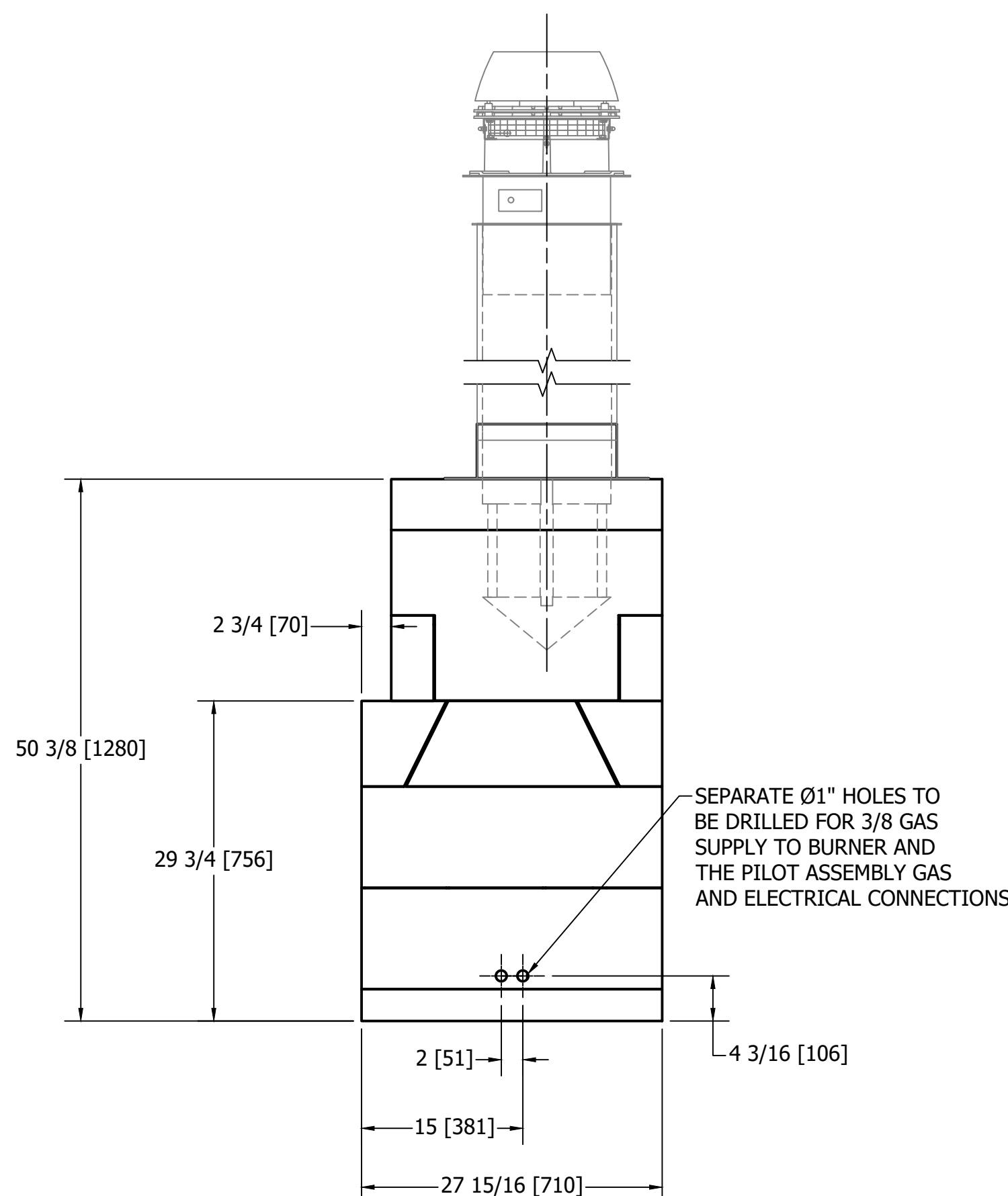


FRONT VIEW

3/8" GAS SUPPLY TO VALVE:  
• NG: 5" W.C. MIN./ 10.5" W.C. MAX.  
• LP: 11" W.C. MIN./ 13" W.C. MAX.



SECTION B-B

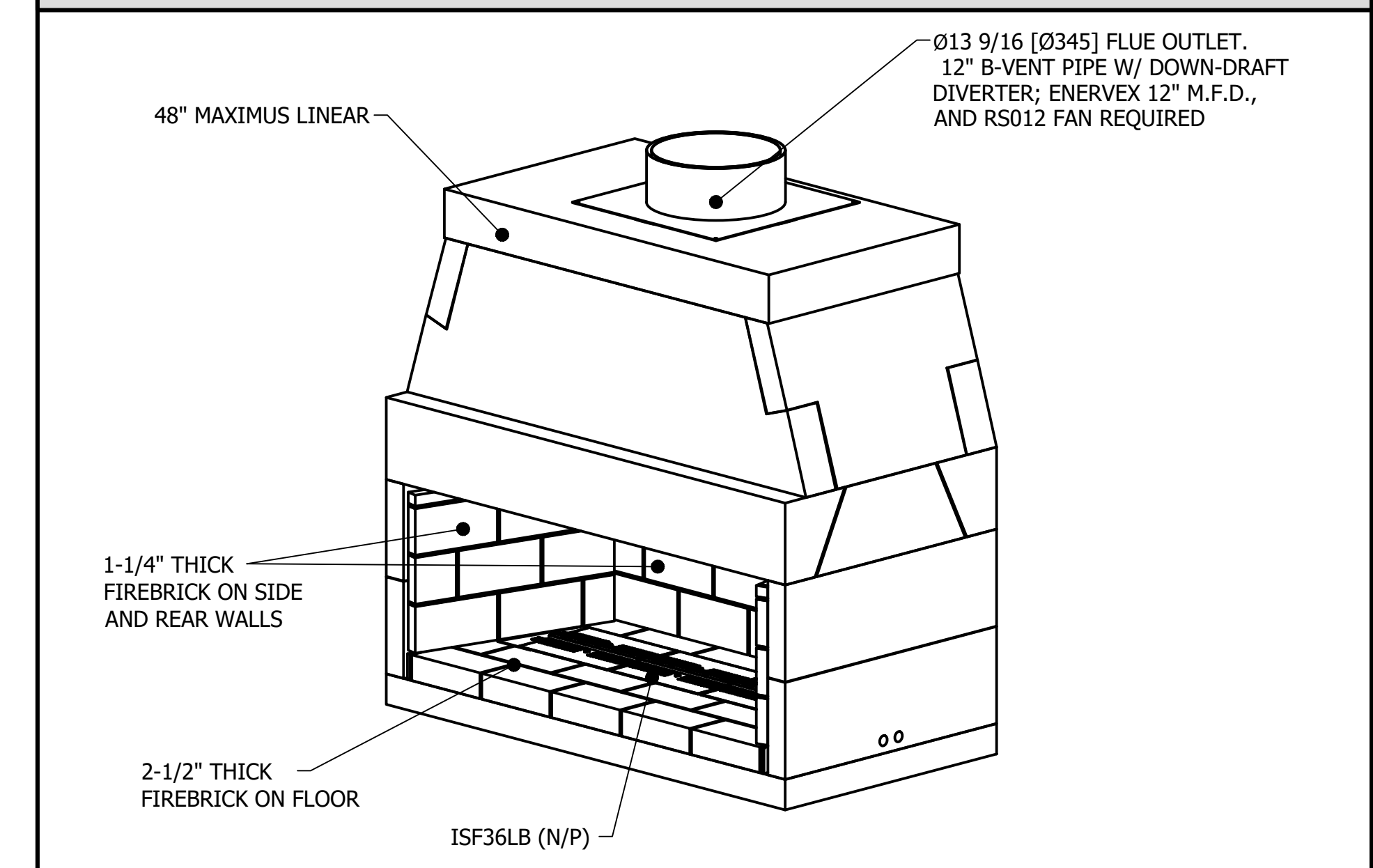


RIGHT-SIDE VIEW

PARTS LIST		
PART NUMBER	QTY	DESCRIPTION
82L48	1	ISOKERN MAXIMUS LINEAR-48
ISF36LB (N/P)	1	36" LINEAR BURNER ASSEMBLY AND VALVE/ CONTROLS (N: NATURAL GAS/ P: PROPANE)
12MDD	1	METAL- FAB 12" B-VENT DOWN DRAFT DIVERTER
OAK12NG	1	4" OUTSIDE AIR KIT (OPTIONAL)
302.0100.1200	1	ADC 100 W/ PDS
101.0499.1200	1	ENERVEX RS012 FAN
216.0100.1212	1	ENERVEX 12" MFD FOR RS 012 FAN

- GENERAL NOTES**
- THE ISOKERN 48" MAXIMUS LINEAR FIREPLACE IS A TOP-VENTED, GAS ONLY FIREPLACE THAT IS APPROVED FOR USE ONLY WITH THE ISOFAMES LINEAR BURNER SYSTEM AS SHOWN IN THIS DRAWING (ISF36LB(N/P)). USAGE OF ANY OTHER BURNER IN THIS FIREPLACE IS PROHIBITED AND WILL ABSOLVE EARTHCORE/ ISOKERN OR ANY DIVISION THEREOF FOR ANY INCIDENTAL OR CONSEQUENTIAL DAMAGES OR EXPENSES ARISING OUT OF THE USE OF THIS FIREPLACE.
  - THIS FIREPLACE'S BURNER SYSTEM (ISF36LB N/P) COMES WITH A GAS CONTROL VALVE ASSEMBLY (E-VK(N/P)) THAT INCLUDES AN AUTOMATIC DRAFT AND SAFETY SYSTEM.
  - THIS APPLIANCE IS ONLY FOR USE WITH THE TYPE OF GAS INDICATED ON THE BURNER RATING PLATE. VERIFY GAS SUPPLY AND BURNER/ VALVE ARE OF SAME TYPE PRIOR TO INSTALLATION.
  - THE EXHAUST FLUE GASES ARE TO BE VENTED THROUGH THE TOP OF THE UNIT WITH 12" METAL-FAB UL LISTED B-VENT PIPING WITH DOWN-DRAFT DIVERTER. THIS TWELVE INCH (12") DIAMETER, DOUBLE WALL B-VENTING SYSTEM IS NOT SUPPLIED BUT IS REQUIRED FOR PROPER OPERATION.
  - THE MAXIMUS LINEAR SERIES FIREPLACES SHALL BE INSTALLED WITH THE MINIMUM CLEARANCES TO COMBUSTIBLES AS LISTED BELOW:
    - UNIT FRONT: 0"
    - SIDES AND REAR: 1.5"
    - COMBUSTIBLE SHEATHING ABOVE OPENING TOP: 8"
    - SHEATHING OR TRIM TO OPENING SIDES: 8"
    - MANTEL ABOVE OPENING: 12"
    - OPENING TO SIDEWALLS: 24"
    - HEARTH EXTENSION BEYOND FRONT: 20"
    - HEARTH EXTENSION BEYOND SIDES (FINISHED): 12"
    - COMBUSTIBLE FLOOR: 0" (MUST USE ISOKERN BASE PLATE, "FULL" 2-1/2" FIREBRICK, AND ISOFAMES LINEAR BURNER/ VALVE)
    - INSULATION FROM FIREBOX (UNSHIELDED): 3"
  - THIS DESIGN REQUIRES MECHANICAL VENTILATION ASSISTANCE FOR GAS-ONLY OPERATION. VENT PATHS ARE LIMITED TO A MAXIMUM OF TWO 90° ELBOWS AND MAY TERMINATE EITHER VERTICALLY OR HORIZONTALLY. REFER TO INSTALLATION MANUAL FOR MAXIMUM VENT LENGTHS AND ADDITIONAL INFORMATION REGARDING FLUE RUNS. THE 82L48 WILL UTILIZE THE FOLLOWING ENERVEX SETUP:
    - DAMPER: ENERVEX 12" MFD FOR RS012
    - FLUE: METAL FAB Ø12" B-VENT (INSTALLATION MUST UTILIZE THE DOWN DRAFT DIVERTER STYLE ANCHOR PLATE)
    - FAN: ENERVEX RS012
    - CONTROLS: ENERVEX ADC 100 WITH PDS
  - ENSURE 120VAC IS PROVIDED TO ENERVEX EXHAUST FANS AND CONTROLS. CONTROLS SHALL BE LOCATED IN ACCESSIBLE LOCATION.
  - ALL ACCESSORIES/ EQUIPMENT INSTALLED WITH THIS FIREPLACE TO BE INSTALLED ACCORDING TO MANUFACTURER'S SPECIFICATIONS.
  - INSTALL AND SUPPORT ALL FLUE TO ALL MANUFACTURER SPECIFICATIONS. ENSURE MIN. 1" CLEARANCE TO COMBUSTIBLES IS KEPT AT ALL TIMES.
  - DRAWINGS ARE FOR DESIGN PURPOSES ONLY AND ARE THE SOLE PROPERTY OF EARTHCORE INDUSTRIES. ANY REPRODUCTION OR UNAUTHORIZED USE IS STRICTLY PROHIBITED.
  - EARTHCORE/ ISOKERN OR ANY DIVISION THEREOF SHALL NOT BE HELD LIABLE FOR ANY INCIDENTAL OR CONSEQUENTIAL DAMAGES OR EXPENSES ARISING OUT OF THE USE OF THE FIREPLACES OR CHIMNEY SYSTEMS.
  - ALWAYS CHECK LOCAL BUILDING CODES GOVERNING FIREPLACES AND FIREPLACE INSTALLATIONS.

**ISOMETRIC VIEW (N.T.S.)**



		UNLESS OTHERWISE STATED, ALL DIMENSIONS ARE IN INCHES.		PROJECT: <b>4' MAXIMUS LINEAR</b>	
UNSPECIFIED TOLERANCES:		THIRD ANGLE PROJECTION		DESCRIPTION: <b>FIREPLACE CONSTRUCTION DOCUMENT</b>	
ANG. A ±				MATERIAL: <b>E.C. PUMICE MIXTURE</b>	
LIN. XX ±		DATE: <b>11/10/2023</b>		SIZE: <b>D</b> SCALE: <b>1"=1'-0"</b> DRAWING #: <b>82L48</b> REV: <b>C</b>	
XXX ±		APPROVED: <b>K.B.H.</b>		SHEET 1 OF 1	