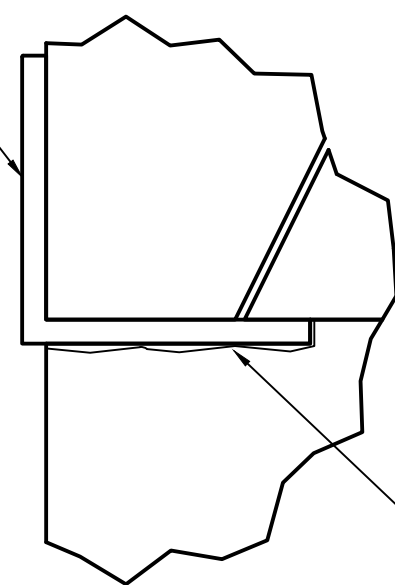


Ø345 [Ø13 9/16"]
FLUE OUTLET; 12" B-VENT PIPE W/
DOWN-DRAFT DIVERTER; 12" MFD;
RS014 FAN REQUIRED

TOP VIEW

6"x6"x1/2" STEEL
ANGLE (NOT
PROVIDED BY
EARTHCORE, MUST
SOURCE LOCALLY)



SIDE WALLS NOTCHED
TO FLUSH THE ANGLE
IRON W/ TOP OF WALL

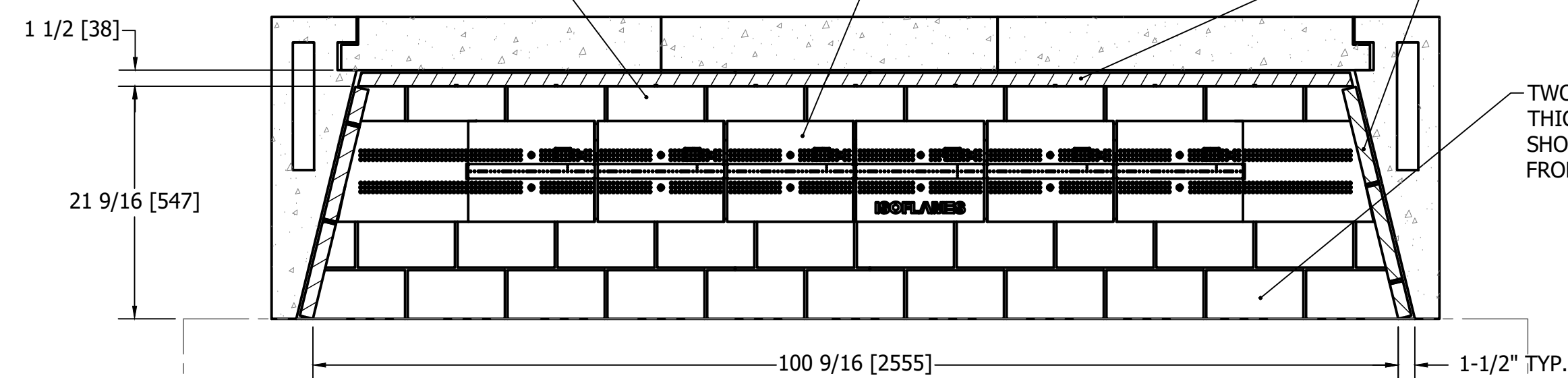
DETAIL A
DAMPER SUPPORT ANGLE
SCALE: N.T.S.

ONE ROW OF "FULL" 2-1/2" THICK FIREBRICK
ON FLOOR AS SHOWN. BEGIN COURSING 1/2"
FROM REAR WALL OF UNIT.

ISF72LB (N/P)

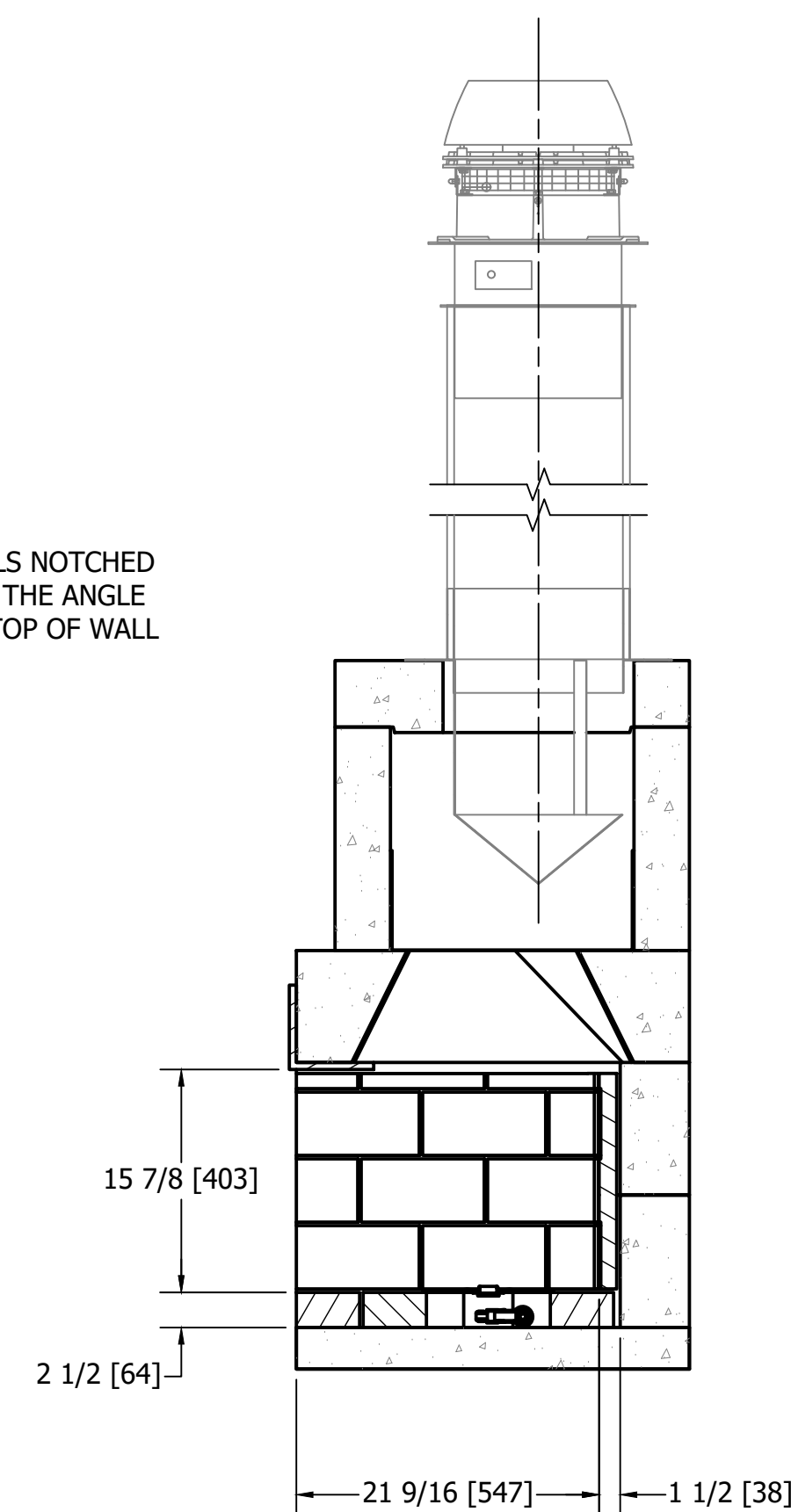
"SPLIT" 1-1/4" THICK
FIREBRICK REQUIRED ON
WALLS OF FIREBOX

TWO ROWS OF "FULL" 2-1/2"
THICK FIREBRICK ON FLOOR AS
SHOWN. BEGIN COURSING AT
FRONT EDGE OF BASE PLATE.



SECTION A-A

THE REQUIRED HEARTH EXTENSION SHALL
EXTEND A MINIMUM OF 20" TO THE FRONT AND
12" TO THE SIDES OF FIREBOX'S FINISHED
OPENING.



SECTION B-B

ENERVEX 12" MFD AND RS 014 FAN REQUIRED

PDS STACK PROBE. MUST BE INSTALLED MIN.
3X VENT DIAMETER AWAY FROM ANY ELBOW
OR TERMINATION.

B

JUNCTION BOX

PDS SWITCH. MUST
BE INSTALLED
INDOORS

ADC 100

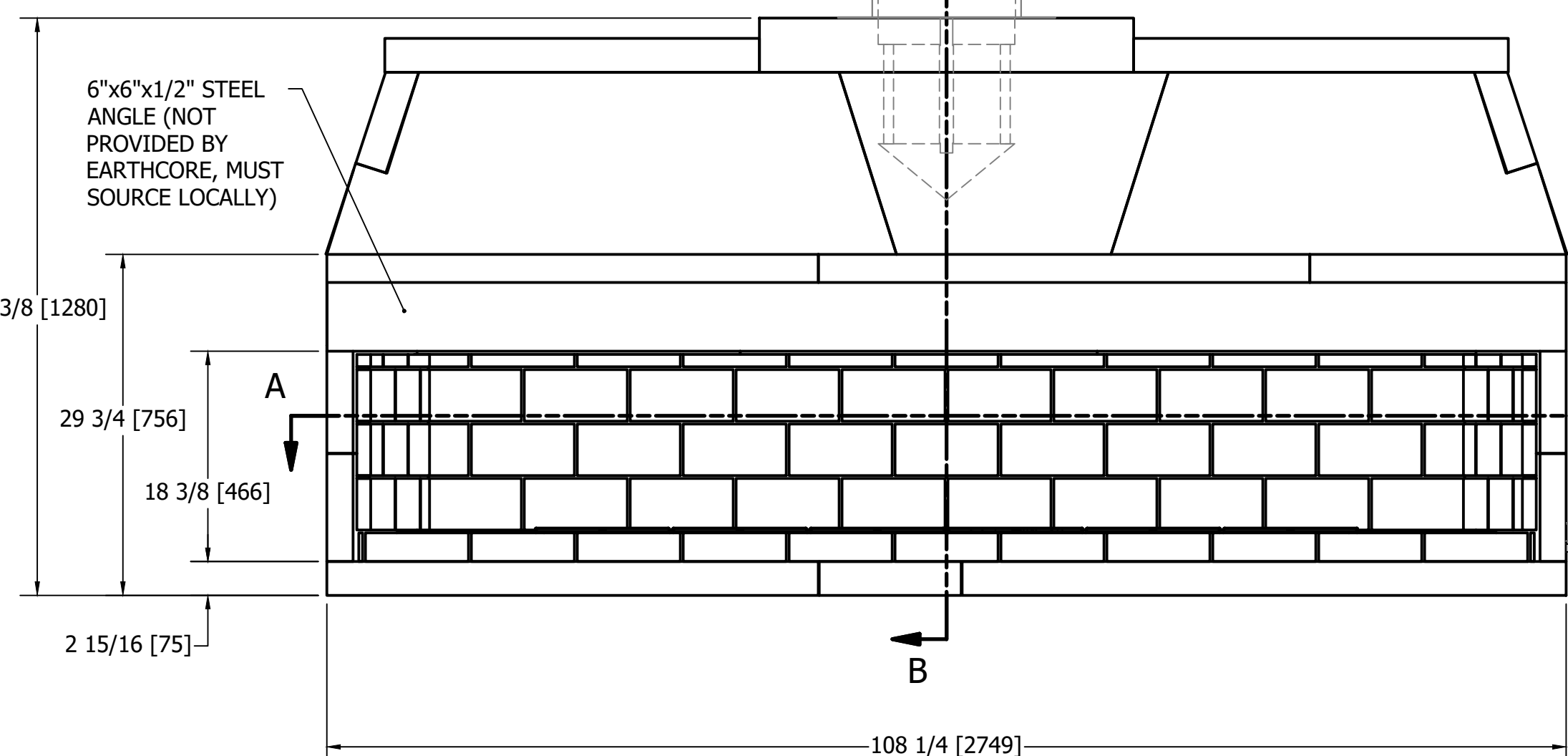
JUNCTION BOX

E-VK(N/P)
VALVE
CONTROL
ASSEMBLY

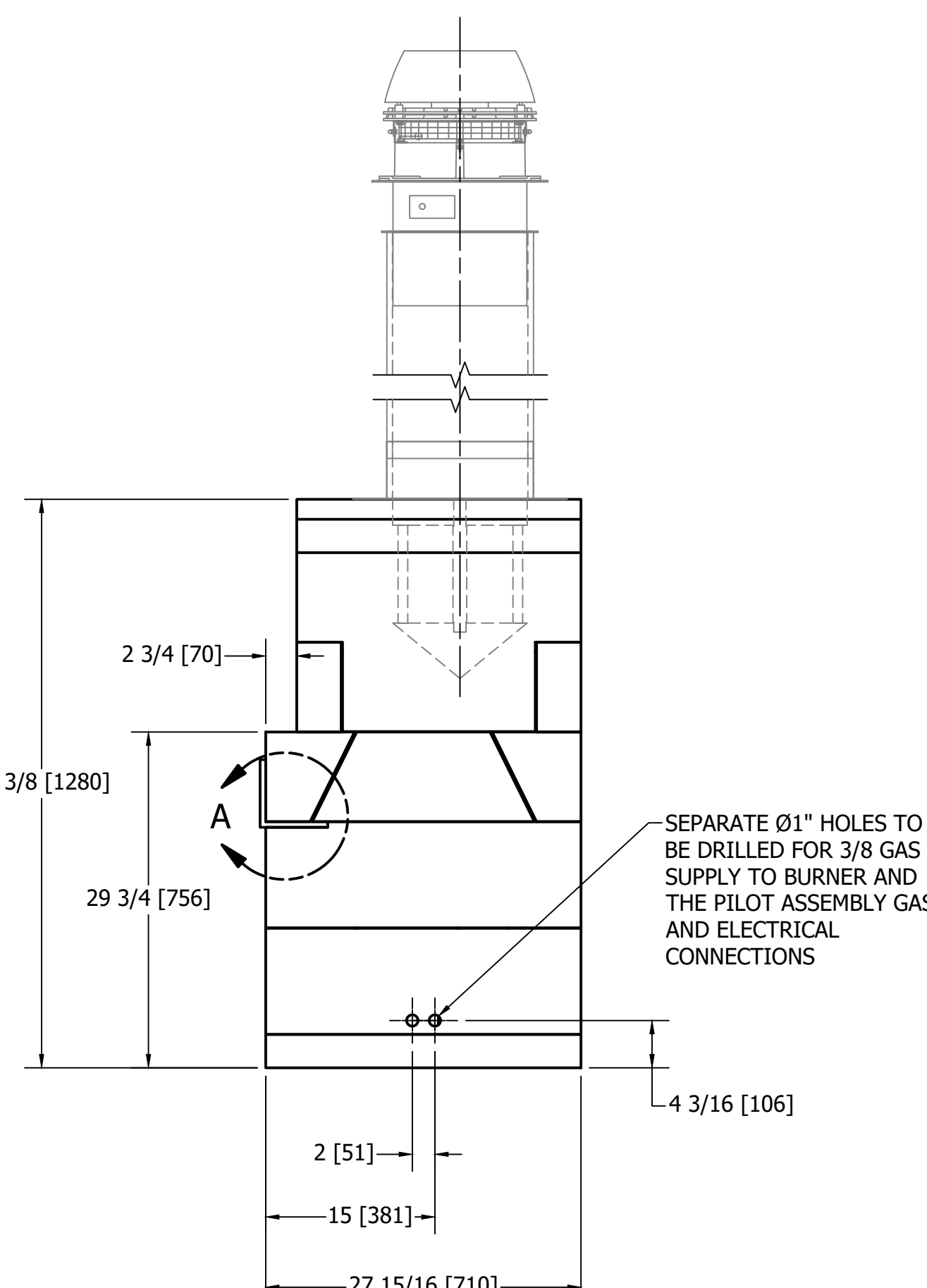
120 VAC IN

GAS AND ELECTRICAL
CONNECTIONS
TO PILOT ASSEMBLY

3/8" GAS SUPPLY TO VALVE:
• NG: 5" W.C. MIN./ 10.5" W.C. MAX.
• LP: 11" W.C. MIN./ 13" W.C. MAX.



FRONT VIEW



RIGHT-SIDE VIEW

SEPARATE Ø1" HOLES TO
BE DRILLED FOR 3/8 GAS
SUPPLY TO BURNER AND
THE PILOT ASSEMBLY GAS
AND ELECTRICAL
CONNECTIONS

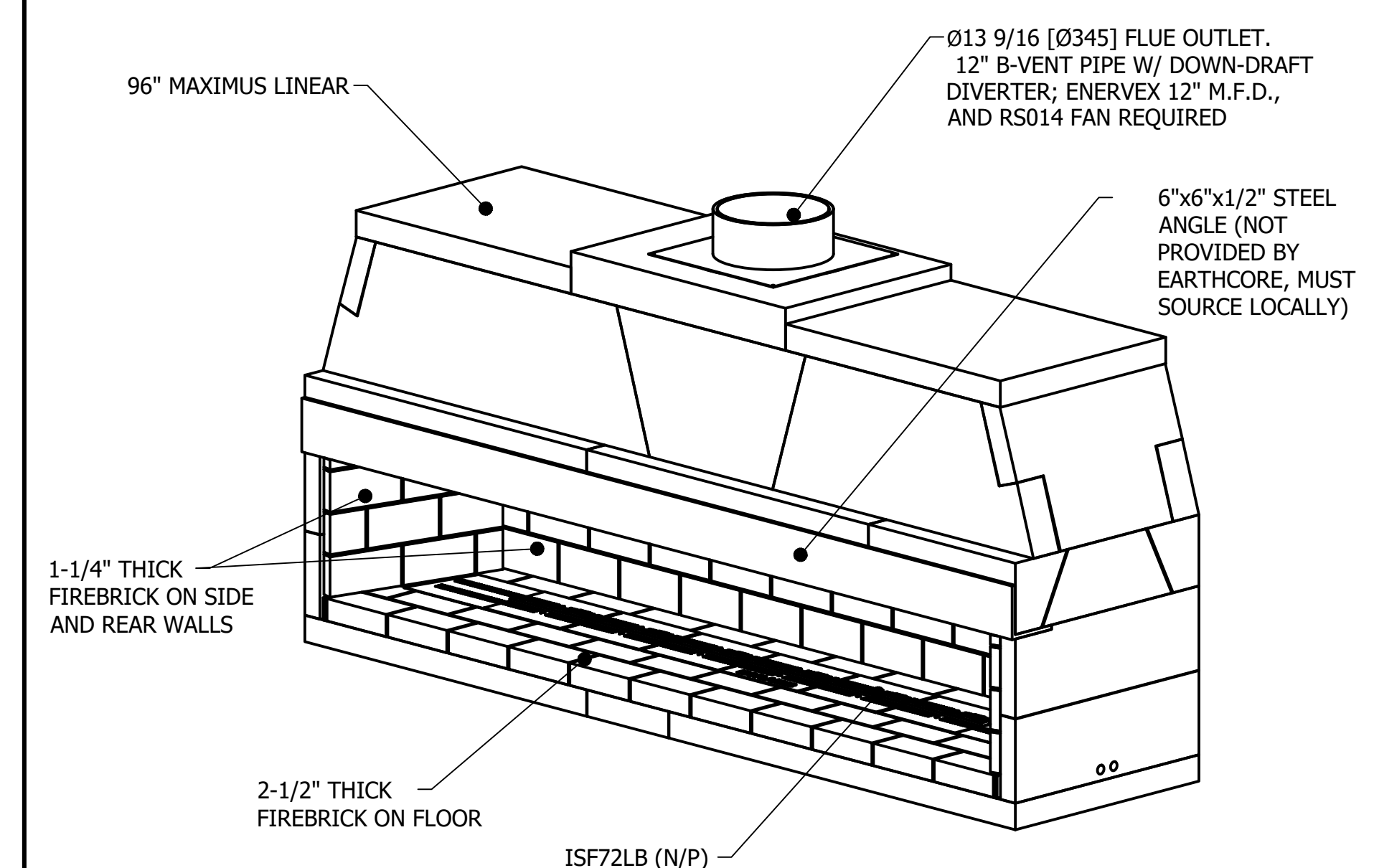
PARTS LIST

PART NUMBER	QTY	DESCRIPTION
82L96	1	ISOKERN MAXIMUS LINEAR-96
N/A	1	6"x6"x1/2" STEEL ANGLE (NOT PROVIDED BY EARTHCORE, MUST SOURCE LOCALLY)
ISF72LB (N/P)	1	72" LINEAR BURNER ASSEMBLY AND VALVE/ CONTROLS (N: NATURAL GAS/ P: PROPANE)
12MDD	1	METAL- FAB 12" B-VENT DOWN DRAFT DIVERTER
OAK12NG	2	4" OUTSIDE AIR KIT (OPTIONAL)
302.0100.1200	1	ADC 100 W/ PDS
101.0699.1200	1	ENERVEX RS014 FAN
216.0200.1212	1	ENERVEX 12" MFD FOR RS 014 FAN

GENERAL NOTES

- THE ISOKERN 96" MAXIMUS LINEAR FIREPLACE IS A TOP-VENTED, GAS ONLY FIREPLACE THAT IS APPROVED FOR USE ONLY WITH THE ISOFLAMES LINEAR BURNER SYSTEM AS SHOWN IN THIS DRAWING (ISF72LB(N/P)). USAGE OF ANY OTHER BURNER IN THIS FIREPLACE IS PROHIBITED AND WILL ABSOLVE EARTHCORE/ ISOKERN OR ANY DIVISION THEREOF FOR ANY INCIDENTAL OR CONSEQUENTIAL DAMAGES OR EXPENSES ARISING OUT OF THE USE OF THIS FIREPLACE.
- THIS FIREPLACE'S BURNER SYSTEM (ISF72LB N/P) COMES WITH A GAS CONTROL VALVE ASSEMBLY (E-VK(N/P)) THAT INCLUDES AN AUTOMATIC DRAFT AND SAFETY SYSTEM.
- THIS APPLIANCE IS ONLY FOR USE WITH THE TYPE OF GAS INDICATED ON THE BURNER RATING PLATE. VERIFY GAS SUPPLY AND BURNER/ VALVE ARE OF SAME TYPE PRIOR TO INSTALLATION.
- THE EXHAUST FLUE GASES ARE TO BE VENTED THROUGH THE TOP OF THE UNIT WITH 12" METAL-FAB UL LISTED B-VENT PIPING WITH DOWN-DRAFT DIVERTER. THIS TWELVE INCH (12") DIAMETER, DOUBLE WALL B-VENTING SYSTEM IS NOT SUPPLIED BUT IS REQUIRED FOR PROPER OPERATION.
- THE MAXIMUS LINEAR SERIES FIREPLACES SHALL BE INSTALLED WITH THE MINIMUM CLEARANCES TO COMBUSTIBLES AS LISTED BELOW:
 - UNIT FRONT: 0"
 - SIDES AND REAR: 1.5"
 - COMBUSTIBLE SHEATHING ABOVE OPENING TOP: 8"
 - SHEATHING OR TRIM TO OPENING SIDES: 8"
 - MANTEL ABOVE OPENING: 12"
 - OPENING TO SIDEWALLS: 24"
 - HEARTH EXTENSION BEYOND FRONT: 20"
 - HEARTH EXTENSION BEYOND SIDES (FINISHED): 12"
 - COMBUSTIBLE FLOOR: 0" (MUST USE ISOKERN BASE PLATE, "FULL" 2-1/2" FIREBRICK, AND ISOFLAMES LINEAR BURNER/ VALVE)
 - INSULATION FROM FIREBOX (UNSHIELDED): 3"
- THIS DESIGN REQUIRES MECHANICAL VENTILATION ASSISTANCE FOR GAS-ONLY OPERATION. VENT PATHS ARE LIMITED TO A MAXIMUM OF TWO 90° ELBOWS AND MAY TERMINATE EITHER VERTICALLY OR HORIZONTALLY. REFER TO INSTALLATION MANUAL FOR MAXIMUM VENT LENGTHS AND ADDITIONAL INFORMATION REGARDING FLUE RUNS. THE 82L96 WILL UTILIZE THE FOLLOWING ENERVEX SETUP:
 - DAMPER: ENERVEX 12" MFD FOR RS014
 - FLUE: METAL FAB Ø12" B-VENT (INSTALLATION MUST UTILIZE THE DOWN DRAFT DIVERTER STYLE ANCHOR PLATE)
 - FAN: ENERVEX RS014
 - CONTROLS: ENERVEX ADC 100 WITH PDS
- ENSURE 120VAC IS PROVIDED TO ENERVEX EXHAUST FANS AND CONTROLS. CONTROLS SHALL BE LOCATED IN ACCESSIBLE LOCATION.
- ALL ACCESSORIES/ EQUIPMENT INSTALLED WITH THIS FIREPLACE TO BE INSTALLED ACCORDING TO MANUFACTURER'S SPECIFICATIONS.
- INSTALL AND SUPPORT ALL FLUE TO ALL MANUFACTURER SPECIFICATIONS. ENSURE MIN.1" CLEARANCE TO COMBUSTIBLES IS KEPT AT ALL TIMES.
- DRAWINGS ARE FOR DESIGN PURPOSES ONLY AND ARE THE SOLE PROPERTY OF EARTHCORE INDUSTRIES. ANY REPRODUCTION OR UNAUTHORIZED USE IS STRICTLY PROHIBITED.
- EARTHCORE/ ISOKERN OR ANY DIVISION THEREOF SHALL NOT BE HELD LIABLE FOR ANY INCIDENTAL OR CONSEQUENTIAL DAMAGES OR EXPENSES ARISING OUT OF THE USE OF THE FIREPLACES OR CHIMNEY SYSTEMS.
- ALWAYS CHECK LOCAL BUILDING CODES GOVERNING FIREPLACES AND FIREPLACE INSTALLATIONS.

ISOMETRIC VIEW (N.T.S.)



		PROJECT: 8' MAXIMUS LINEAR DESCRIPTION: FIREPLACE CONSTRUCTION DOCUMENT MATERIAL: E.C. PUMICE MIXTURE	
UNSPECIFIED TOLERANCES:	THIRD ANGLE PROJECTION	DATE: 11/10/2023	SCALE: 1"=1'-0"
ANG. A ±		APPROVED: K.B.H.	DRAWING #: 82L96
LIN. X ±		DATE: 11/10/2023	REV: C
XX ±		SIZE: D	SHEET: 1 OF 1
XXX ±		DO NOT SCALE	