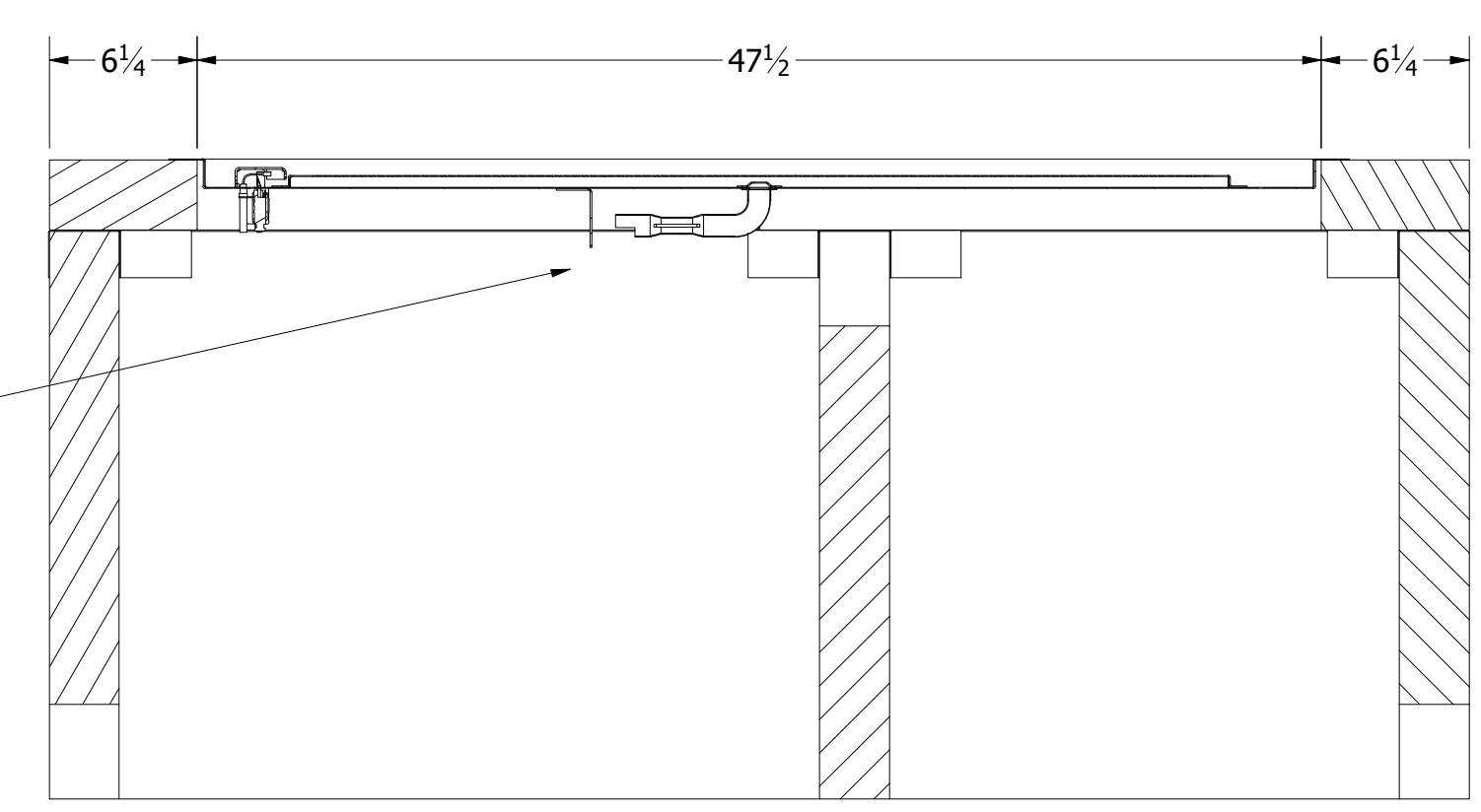
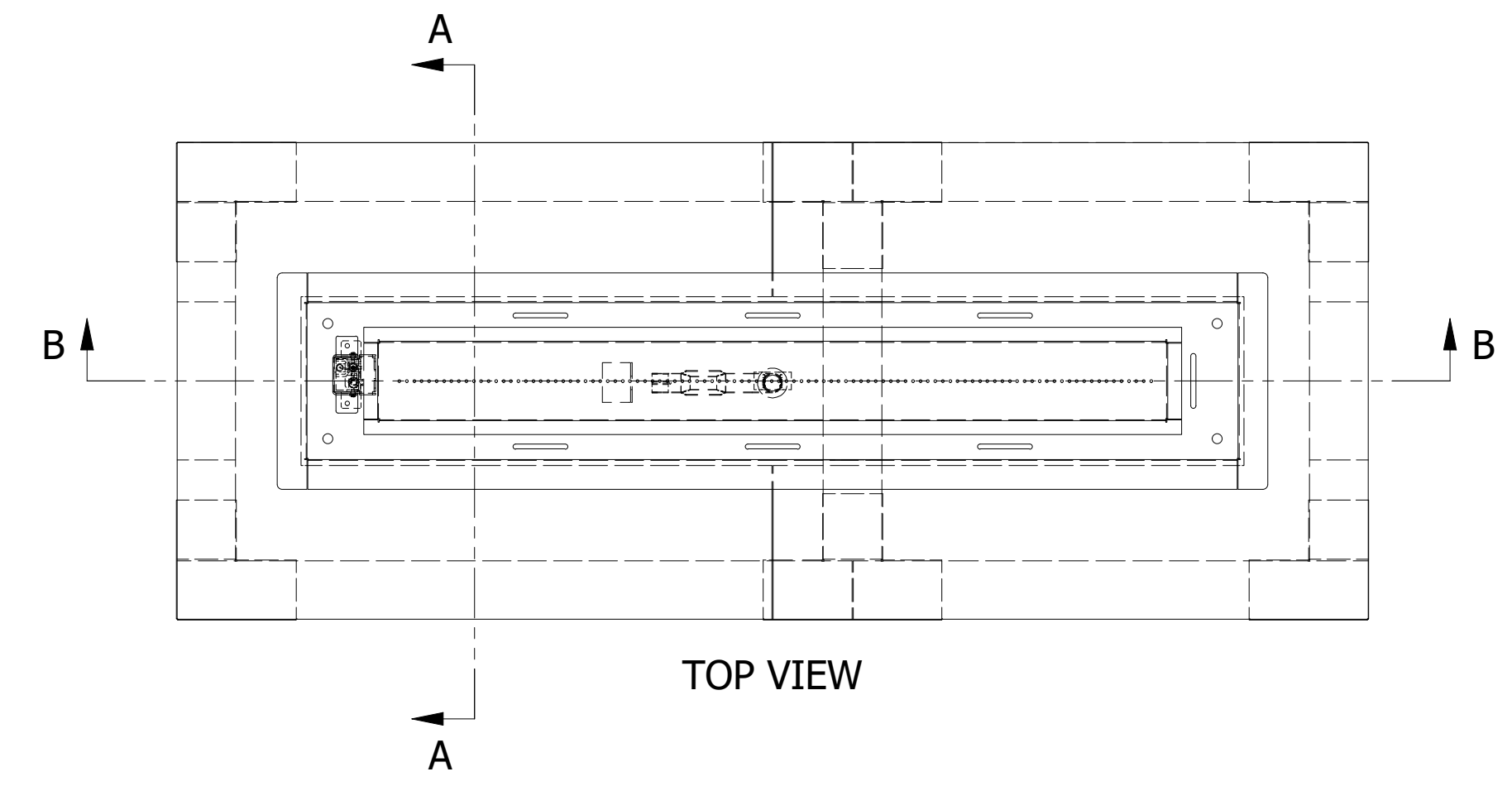
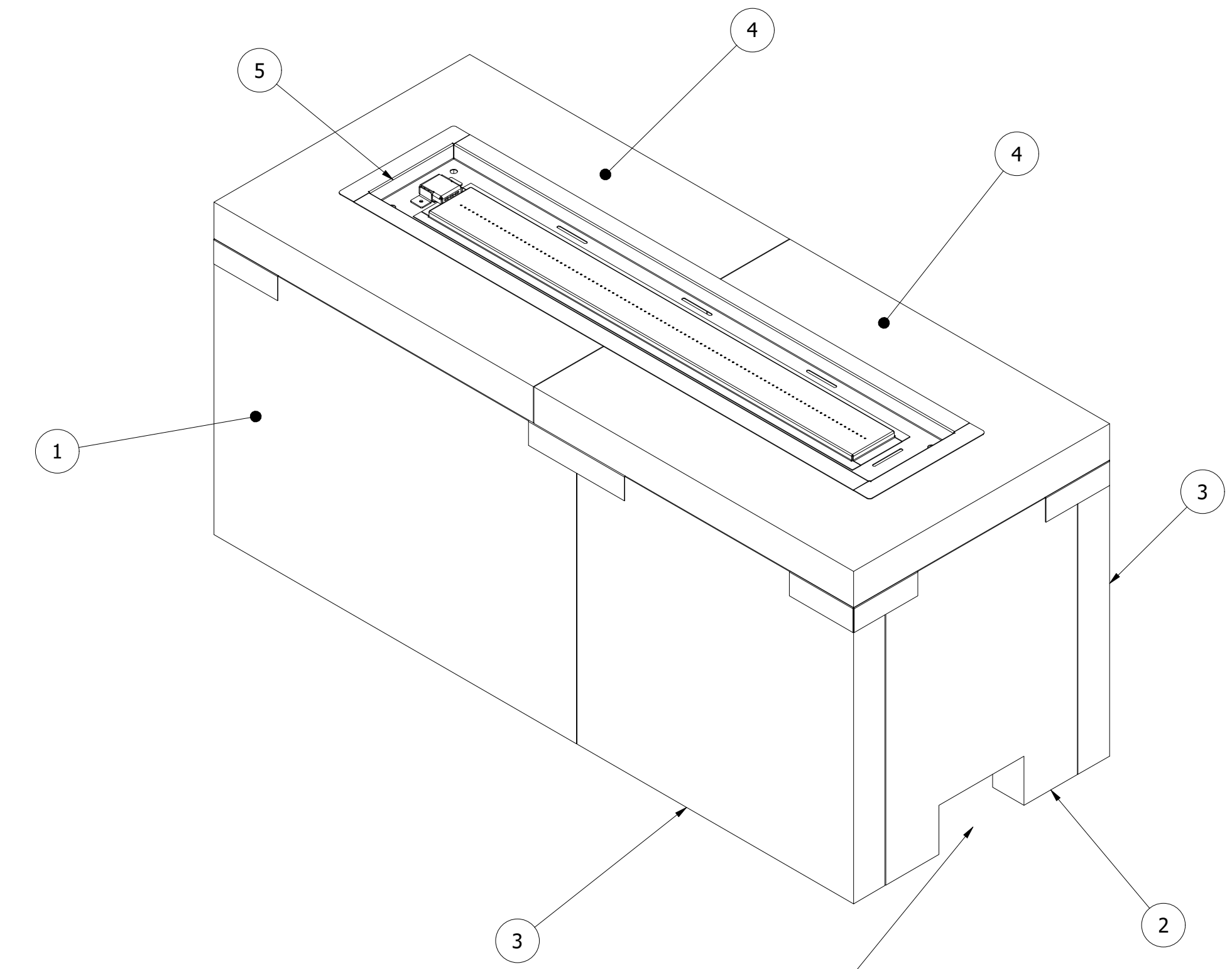
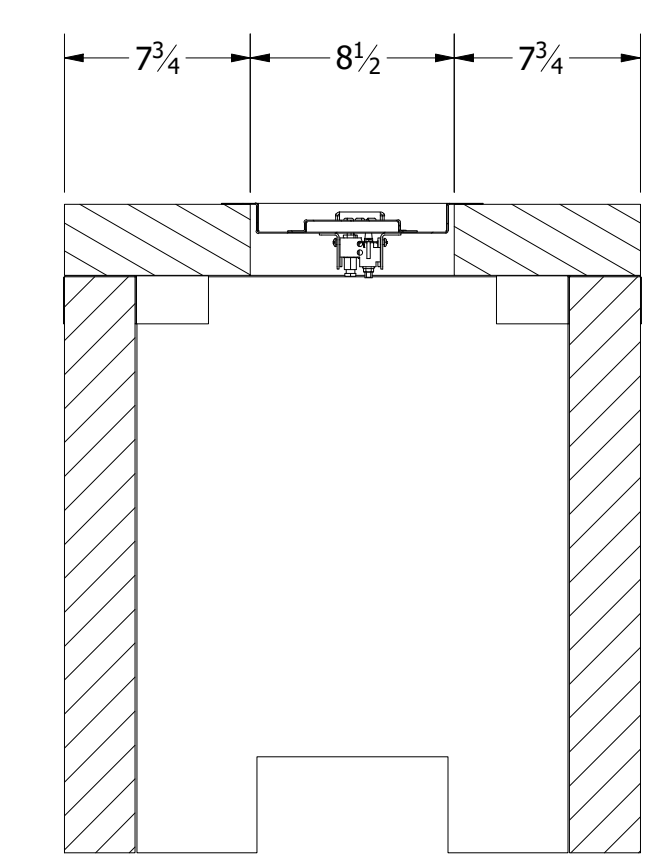


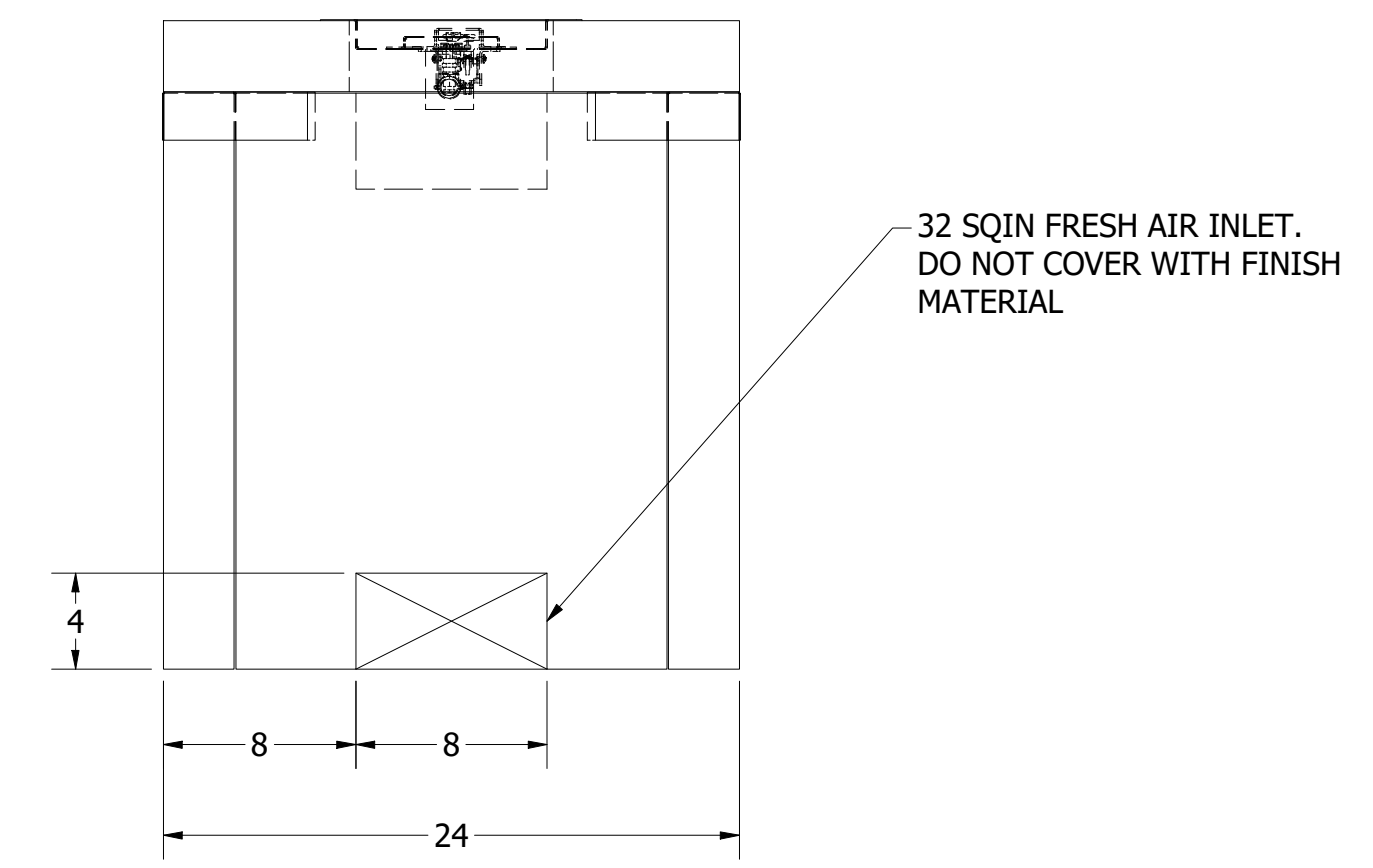
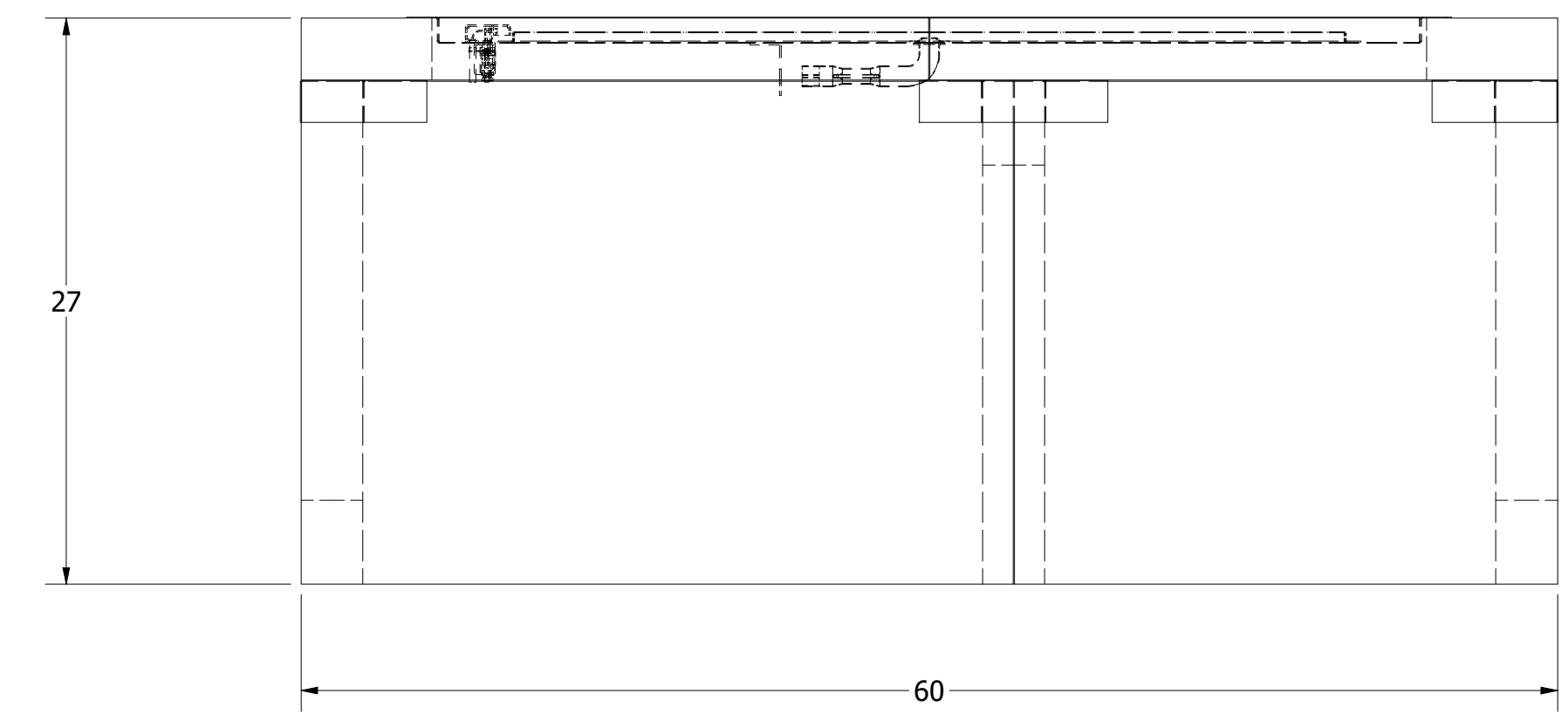
PARTS LIST			
ITEM	QTY	PART NUMBER	DESCRIPTION
1	2	24	ISOPANEL
2	3	24FT-CS	FIRETABLE CENTER SUPPORT
3	2	24FT-SS	FIRETABLE SIDE-SHORT
4	2	24FT-LT-B	FIRETABLE LINEAR TOP-B
5	1	ISF 48LTB	48" FIRETABLE BURNER
6	4	24-C90	ISOKERN 90 DEG. CLIP
7	2	24-CT	ISOKERN "T" CLIP



ISOFLAMES OUTDOOR 4' LINEAR BURNER.
VENTURI IS LOCATED ON SAME SIDE AS
PROPANE TANK ACCESS PANEL



32 SQIN FRESH AIR INLET.
DO NOT COVER WITH FINISH
MATERIAL



32 SQIN FRESH AIR INLET.
DO NOT COVER WITH FINISH
MATERIAL

DRAWN kharrison	1/22/2021	EARTHCORE INDUSTRIES	
CHECKED		TITLE	
QA		LFT-60 (Linear 60 Firetable)	
MFG		SIZE	DWG NO
APPROVED		D	LFT-60
		SCALE 1/2"=1'-0"	SHEET 1 OF 1