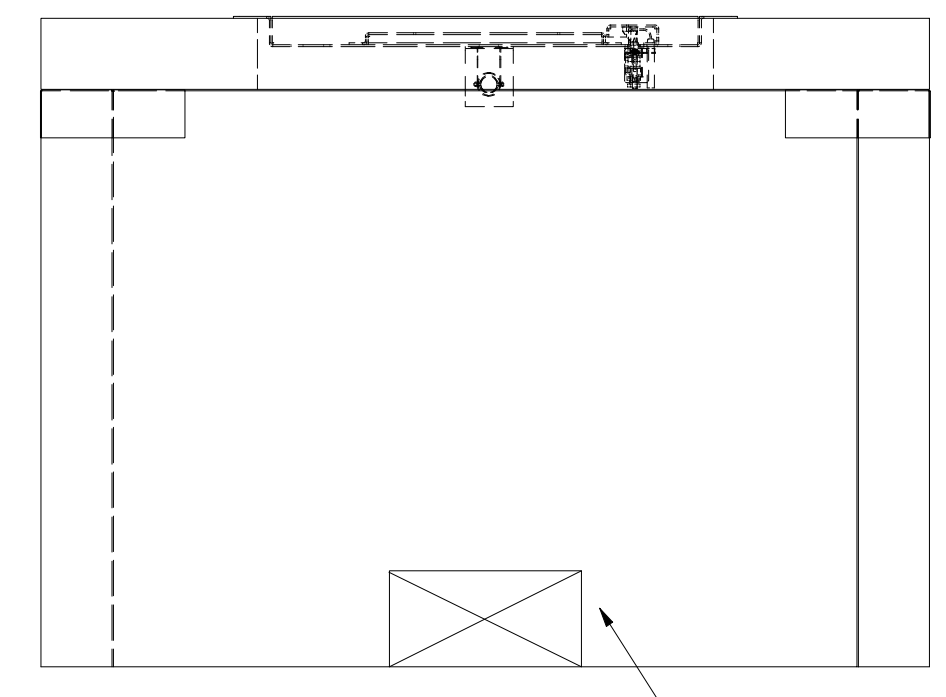
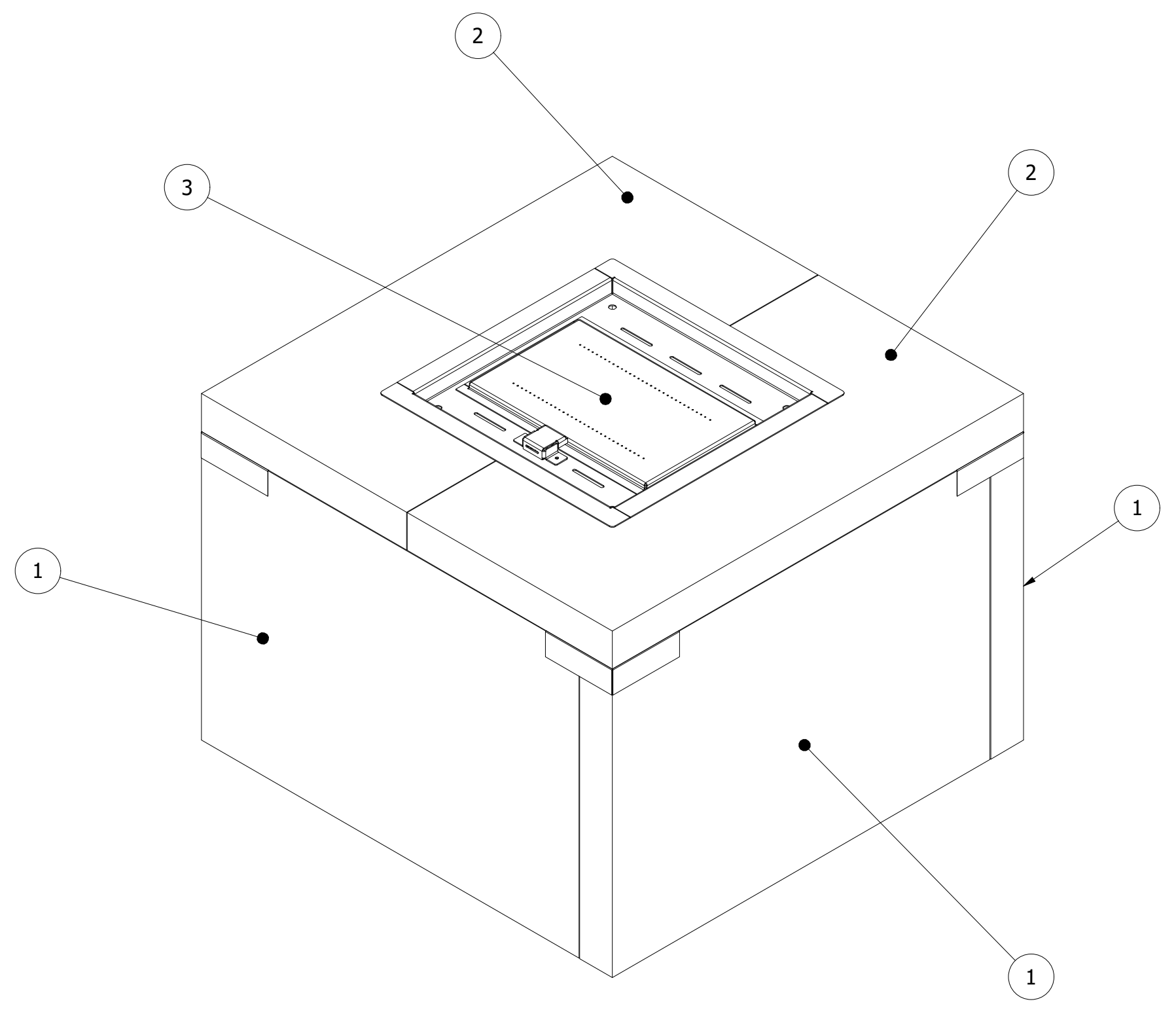
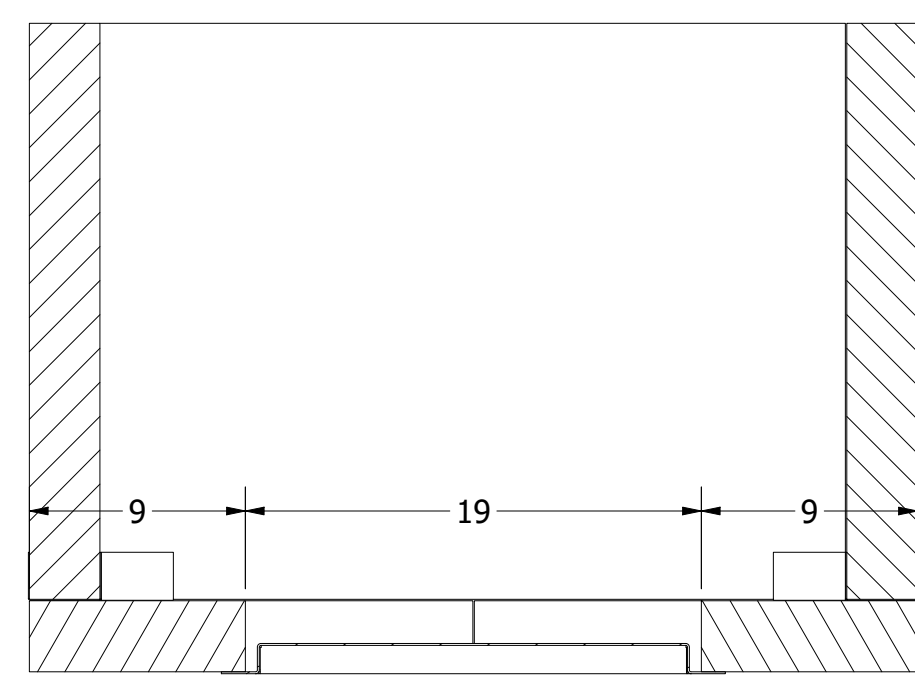
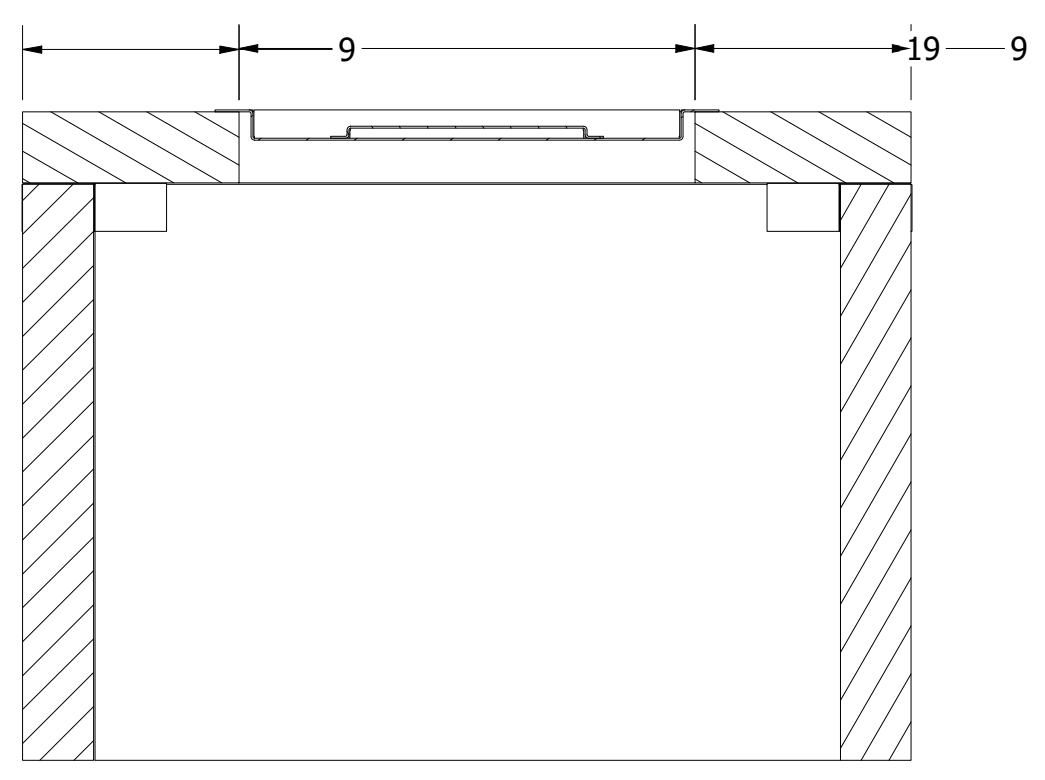
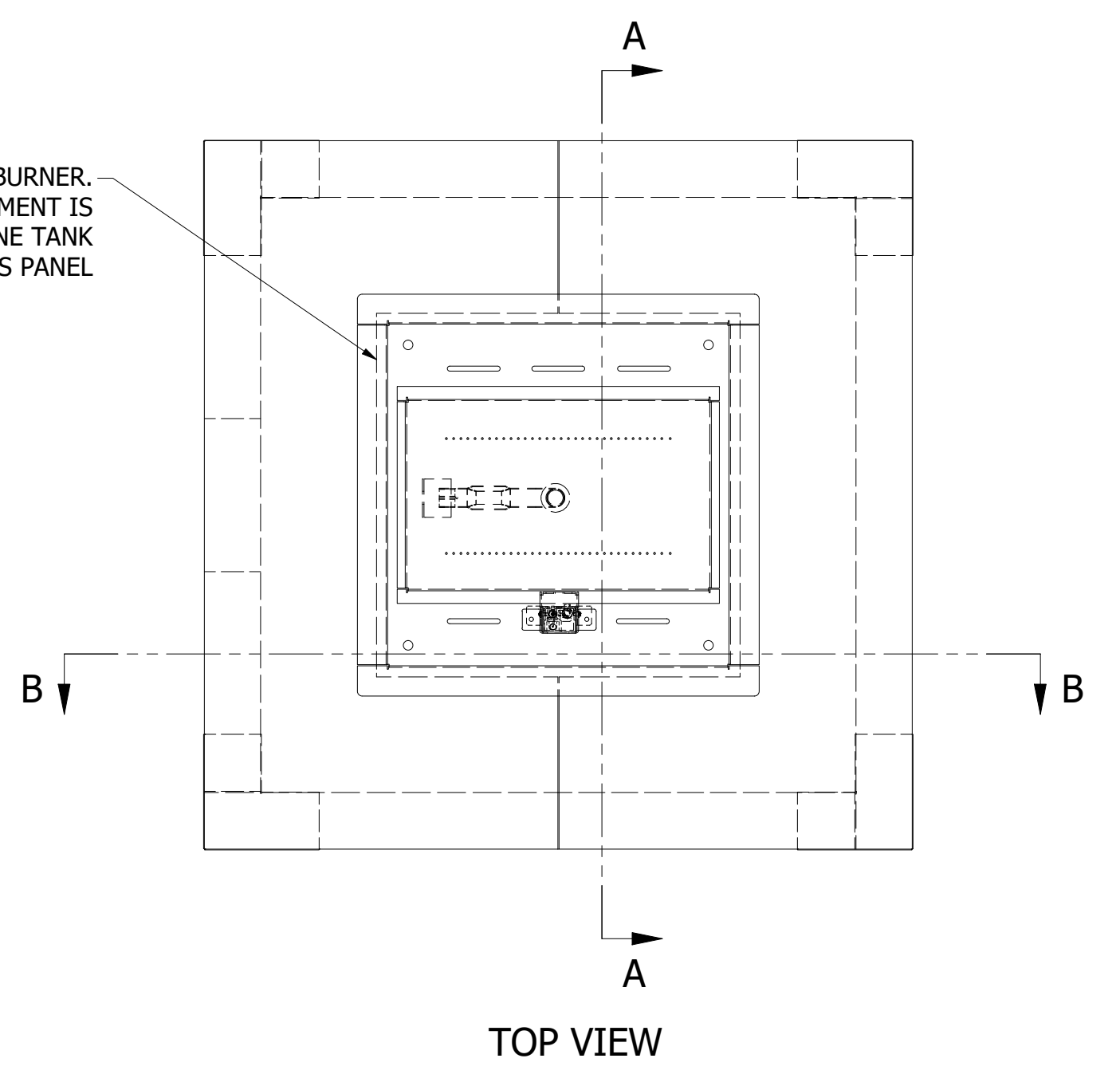
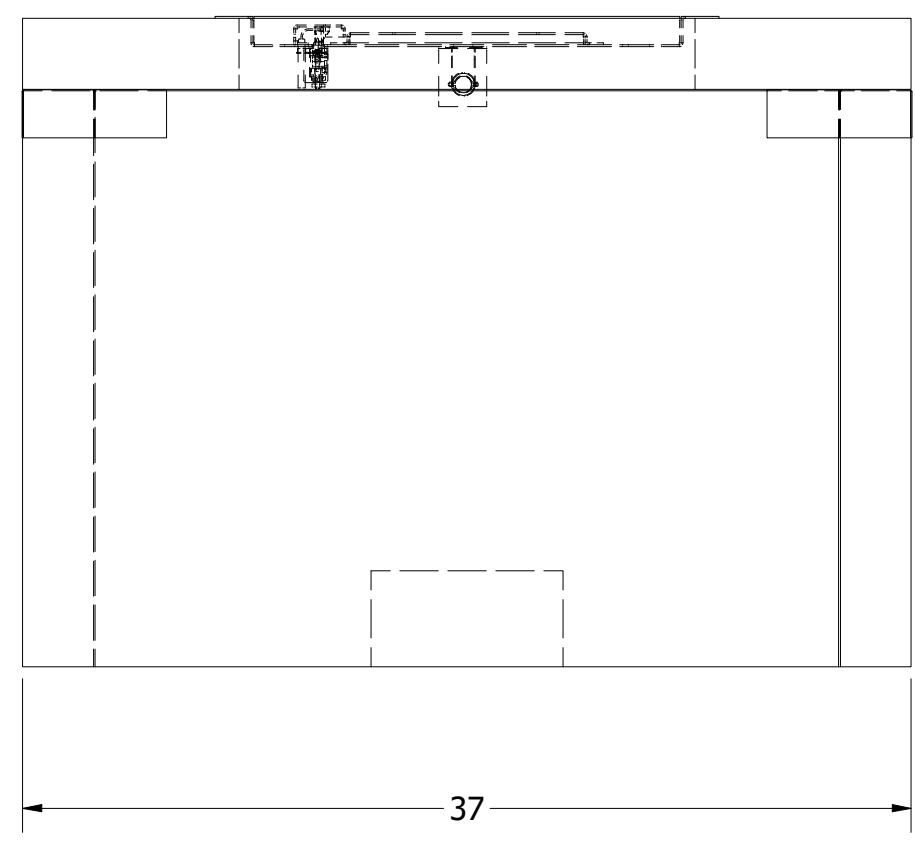
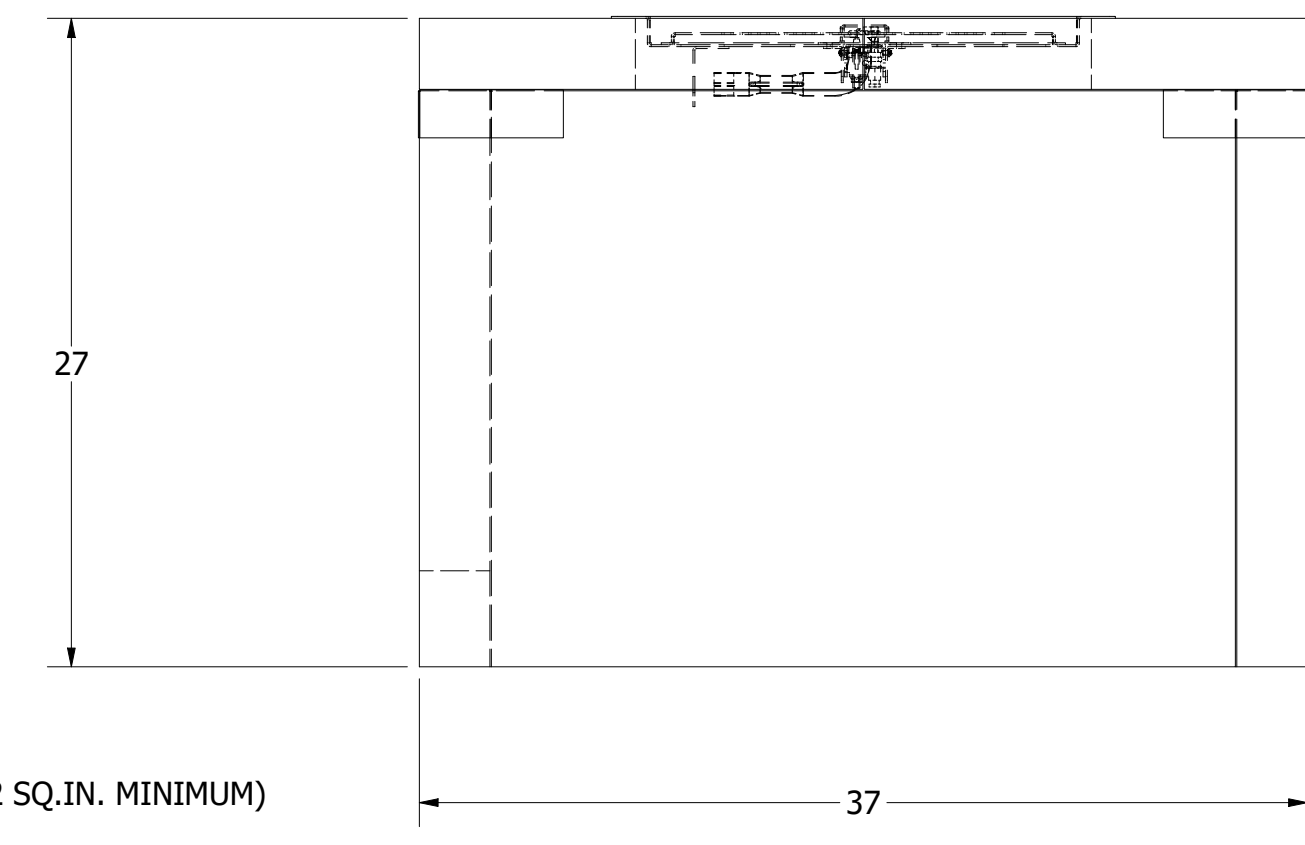


PARTS LIST			
ITEM	QTY	PART NUMBER	DESCRIPTION
1	4	24	ISOPANEL
2	2	21FT-ST	40" Square Table-Top
3	1	ISF18SQB	Isoflames 18" Square Burner
4	4	24-C90	ISOKERN 90 DEG. CLIP

ISOFLAMES OUTDOOR 18" SQUARE BURNER.
ENSURE PILOT HOOD ATTACHMENT IS
LOCATED ON SAME SIDE AS PROPANE TANK
ACCESS PANEL



FIELD-CUT FRESH AIR INLET (32 SQ.IN. MINIMUM)
DO NOT COVER WITH FINISH MATERIAL



DRAWN kharrison	1/22/2021	EARTHCORE INDUSTRIES	
CHECKED		TITLE	
QA		SFT-37 (Square 40in Firetable)	
MFG		SIZE	DWG NO
APPROVED		D	SFT-37
		SCALE 1 1/2"=1'	SHEET 1 OF 1