

ISOKERIN[®]

by earthcore



Maximus Linear Series

Product Details
& Specifications



ISO KERN Gas Only

Maximus

Linear Series

Open Front & Glass Front Firebox
Smoke Dome Dimensions for
48, 72, 96, 120



APPLICATIONS:

- Indoor
- Natural Gas
- LP (Liquid Propane)
- Custom Finish
- Combustible Floor Installation
- Zero Clearance to Open Front
- Single 12" B-Vent Chimney
- Isoflames Linear Burner
- Glass Media
- Electronic Ignition System
- Mechanical Exhaust Fan

Same pumice, sleek new design. Introducing the Maximus Linear Series with Open or Glass Front.

The Maximus Linear Series is a touch of modern sophistication and a work of art, all in one. It's sleek design can be customized to fit any aesthetic. Choose an open front or glass front firebox and finish it off with your choice of colored glass media or log sets in a driftwood or birch finish. Model sizes include 48, 72, 96 and 120. All Isokern Linear Fireplaces come with a Remote-Controlled Electronic Ignition System and Mechanical Exhaust Fan.

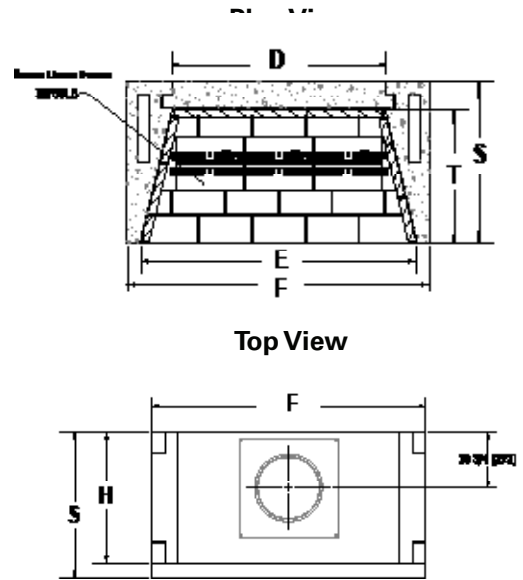
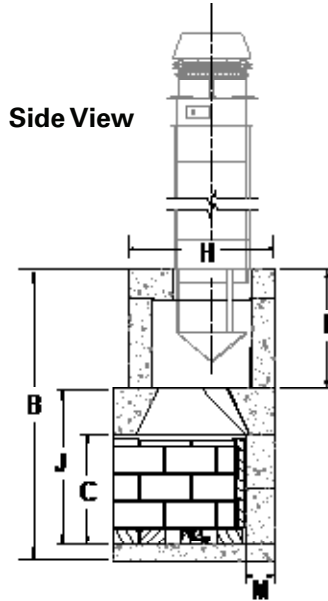
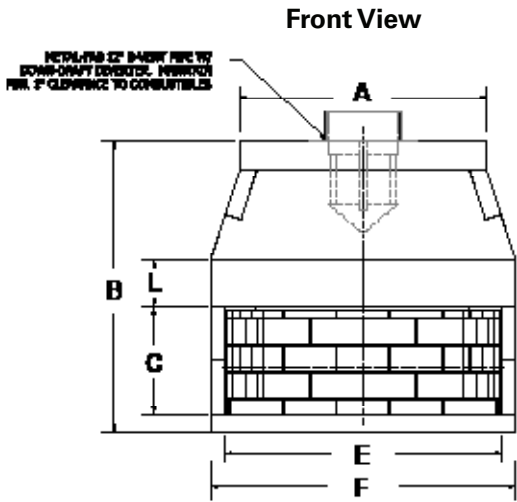


Open Front - 48, 72, 96 & 120

Please Note: This unit utilizes a single 12" BVent Chimney that can be terminated vertically or horizontally. All units are power vented. Zero Clearance to glass front. Models 72, 96 & 120 requires 6" x 6" x 1/2" Steel Angle cut to span firebox opening. This item is not included in the components and can be sourced locally.

Framing & Weight

Model	Minimum Framing	Weight
48	56"W x 51"H x 29 1/2"D	1275 lbs
72	89"W x 51"H x 29 1/2"D	1990 lbs
96	112"W x 51"H x 29 1/2"D	2450 lbs
120	135"W x 51"H x 29 1/2"D	2997 lbs



Front View	Model	A	B	C	E	F	L
	48	43"	51"	18 7/8"	48 1/2"	52 3/4"	8"
	72	76"	51"	18 7/8"	81 1/4"	85 13/16"	8"
	96	98 1/8"	51"	18 7/8"	103 5/8"	109"	8"
	120	121 5/8"	51"	18 7/8"	127 1/8"	132"	8"

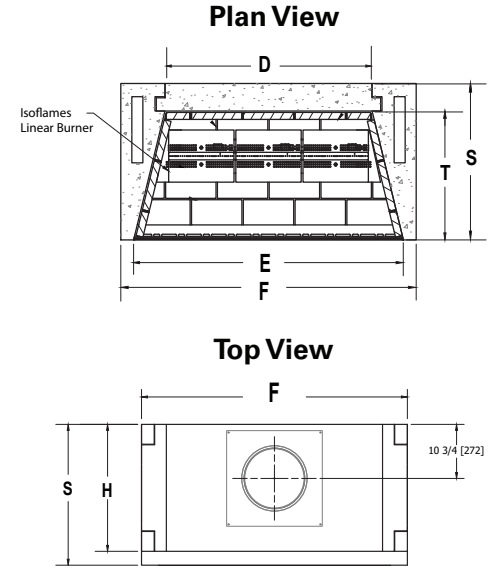
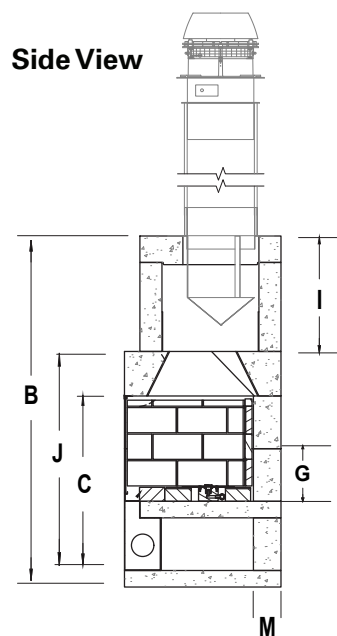
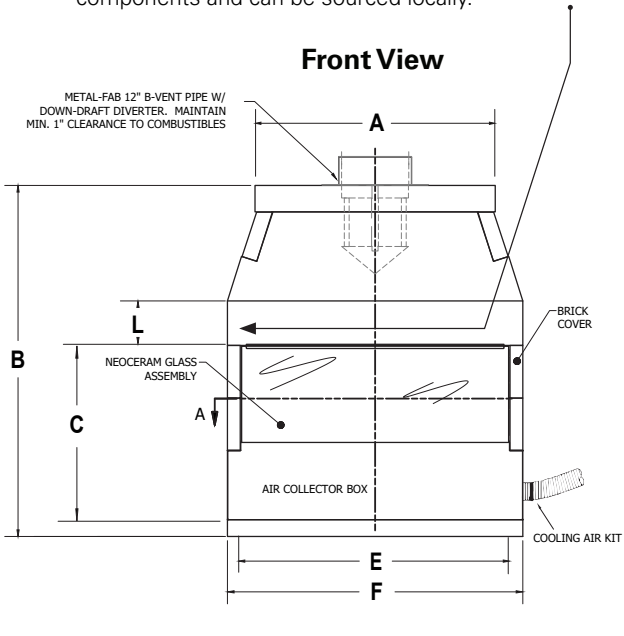
Side View	Model	B	C	H	I	J	M
	48	51"	18 7/8"	25 1/4"	20 5/8"	29 3/4"	5"
	72	51"	18 7/8"	25 1/4"	20 5/8"	29 3/4"	5"
	96	51"	18 7/8"	25 1/4"	20 5/8"	29 3/4"	5"
	120	51"	18 7/8"	25 1/4"	20 5/8"	29 3/4"	5"

Plan View	Model	D	E	F	S	T
	48	37 1/4"	48 1/2"	52 3/4"	28"	23"
	72	70 1/16"	81 1/4"	85 13/16"	28"	23"
	96	92 1/2"	103 5/8"	109"	28"	23"
	120	116"	127 1/8"	132"	28"	23"

Glass Front - 48, 72, 96 & 120

Please Note: Zero Clearance to glass front. Models 72, 96 & 120 requires 6" x 6" x 1/2" Steel Angle cut to span firebox opening. This item is not included in the components and can be sourced locally.

Steel Angle: 6" x 6" x 1/2" cut to span firebox opening on models **72, 96 & 120**. This item is not included in the components and can be sourced locally.



Framing & Weight

Model	Minimum Framing	Weight
48	(56" w) x (64 1/2" h) x (29 1/2" d)	1652 lbs
72	(89" w) x (64 1/2" h) x (29 1/2" d)	2578 lbs
96	(112" w) x (64 1/2" h) x (29 1/2" d)	3132 lbs
120	(135" w) x (64 1/2" h) x (29 1/2" d)	3844 lbs

Front View	Model	A	B	C	E	F	L
	48	43"	62 7/8"	18 7/8"	48 1/2"	53"	8"
	72	76"	62 7/8"	18 7/8"	81 1/4"	85 13/16"	8"
	96	98 1/8"	62 7/8"	18 7/8"	103 5/8"	109"	8"
	120	121 5/8"	62 7/8"	18 7/8"	127 1/8"	132"	8"

Side View	Model	B	C	H	I	J	M
	48	62 7/8"	18 7/8"	25 1/4"	20 5/8"	42 1/8"	5"
	72	62 7/8"	18 7/8"	25 1/4"	20 5/8"	42 1/8"	5"
	96	62 7/8"	18 7/8"	25 1/4"	20 5/8"	42 1/8"	5"
	120	62 7/8"	18 7/8"	25 1/4"	20 5/8"	42 1/8"	5"

Plan View	Model	D	E	F	S	T
	48	34 11/16"	48 1/2"	53"	28"	23"
	72	70 1/16"	81 1/4"	85 13/16"	28"	23"
	96	92 1/2"	103 5/8"	109"	28"	23"
	120	116"	127 1/8"	132"	28"	23"

1.800.642.2920
EARTHORE.COM
 8 Office Locations
 Over 500 Dealers.