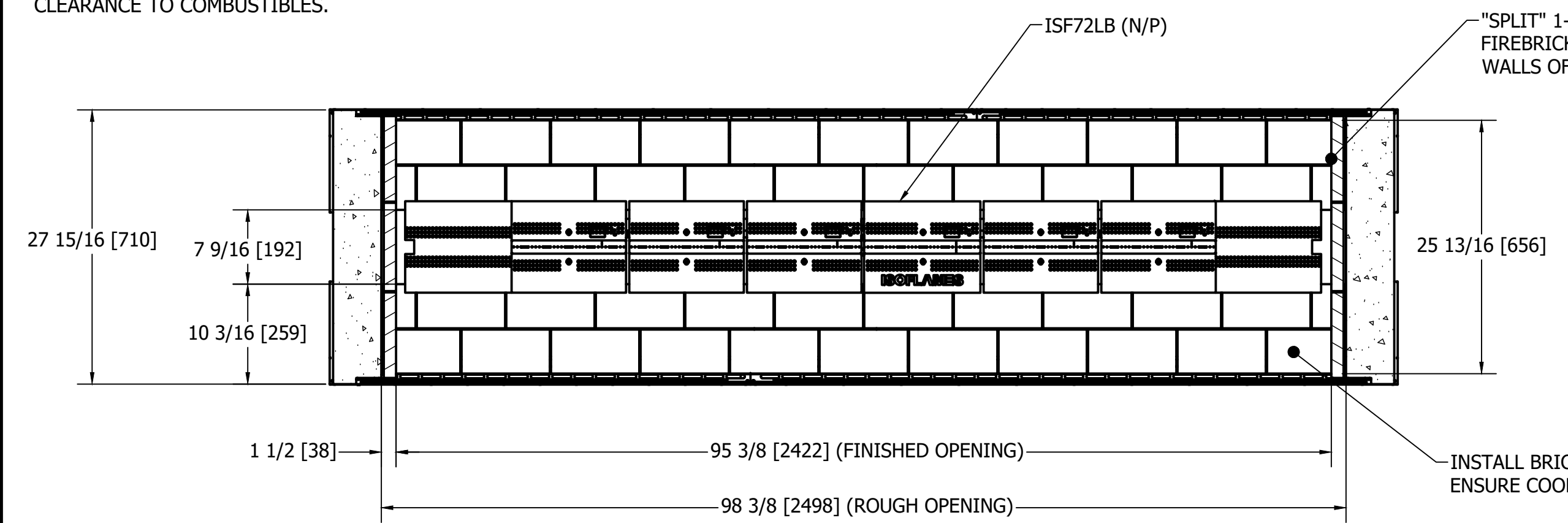


METAL-FAB 12" B-VENT PIPE (12" I.D./13" O.D.) W/ DOWN-DRAFT DIVERTER; X-VENTISO-MERIDIAN MAX LINEAR FAN SYSTEM REQUIRED.

FRAME OPENINGS TO 15" X 15" CLEAR TO MAINTAIN MIN. 1" CLEARANCE TO COMBUSTIBLES.



INSTALL BRICK BARRIER ON AIR COLLECTOR BOXES TO ENSURE COOLING AIR FLOW IS NOT OBSTRUCTED.

TWO ROWS OF "FULL" 2-1/2" THICK FIREBRICK REQUIRED ON FLOOR OF FIREBOX (EACH SIDE). LEADING EDGE OF FIREBRICK SHALL BE ALIGNED WITH THE INNER EDGE OF THE COOLING AIR SLOTS AND SHALL NOT OBSTRUCT AIR FLOW.

INSTALL BRICK BARRIER ON AIR COLLECTOR BOXES TO ENSURE COOLING AIR FLOW IS NOT OBSTRUCTED.

TWO ROWS OF "FULL" 2-1/2" THICK FIREBRICK REQUIRED ON FLOOR OF FIREBOX (EACH SIDE). LEADING EDGE OF FIREBRICK SHALL BE ALIGNED WITH THE INNER EDGE OF THE COOLING AIR SLOTS AND SHALL NOT OBSTRUCT AIR FLOW.

INSULATION FROM FIREBOX (UNSHIELDED): 3"

IT IS CRITICAL IN PLANNING FOR THE INSTALLATION THAT THE SURROUND MATERIAL DOES NOT COVER THE GLASS AND ALLOWS FOR ITS REMOVAL FOR SERVICING/ CLEANING OF THE BURNER SYSTEM.

THIS DESIGN REQUIRES MECHANICAL VENTILATION ASSISTANCE USING THE X-VENTISO-MERIDIAN MAX LINEAR FAN SYSTEM FOR GAS-ONLY OPERATION. VENT PATHS ARE LIMITED TO A MAXIMUM OF TWO 90° ELBOWS AND MAY TERMINATE EITHER VERTICALLY OR HORIZONTALLY. REFER TO INSTALLATION MANUAL FOR MAXIMUM VENT LENGTHS AND ADDITIONAL INFORMATION REGARDING FLUE RUNS.

ENSURE TWO 120VAC/ 15A OUTLETS ARE PROVIDED FOR GAS VALVE AND X-VENTISO-MERIDIAN CONTROL PANEL IN ACCORDANCE WITH INSTALLATION MANUAL. CONTROLS SHALL BE LOCATED IN ACCESSIBLE LOCATION.

ALL ACCESSORIES/ EQUIPMENT INSTALLED WITH THIS FIREPLACE TO BE INSTALLED ACCORDING TO MANUFACTURER'S SPECIFICATIONS.

INSTALL AND SUPPORT ALL FLUE TO ALL MANUFACTURER SPECIFICATIONS. ENSURE MIN. 1" CLEARANCE TO COMBUSTIBLES IS KEPT AT ALL TIMES.

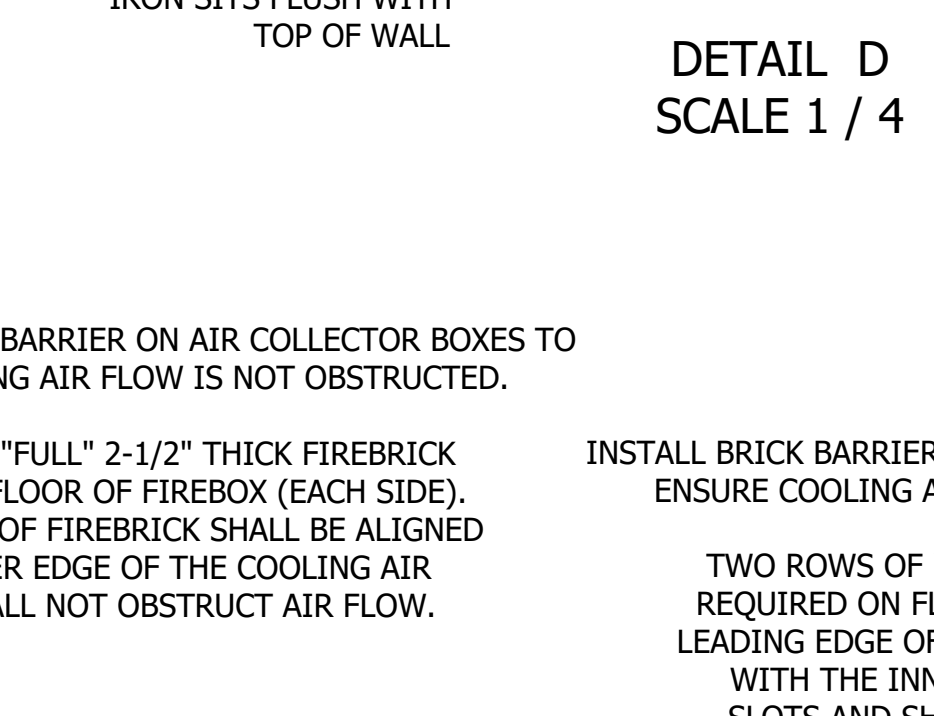
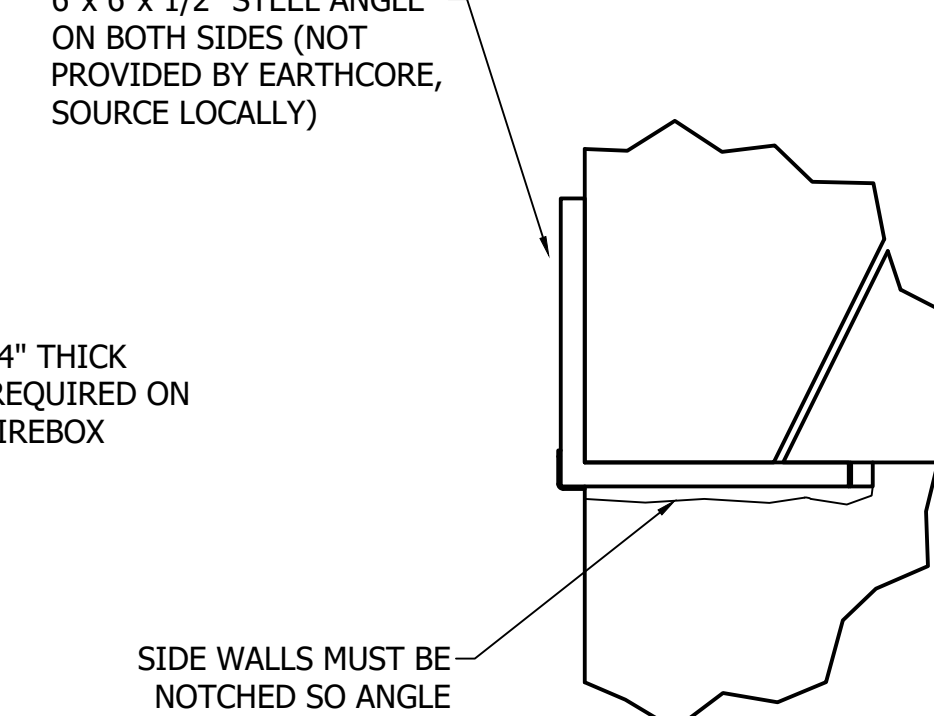
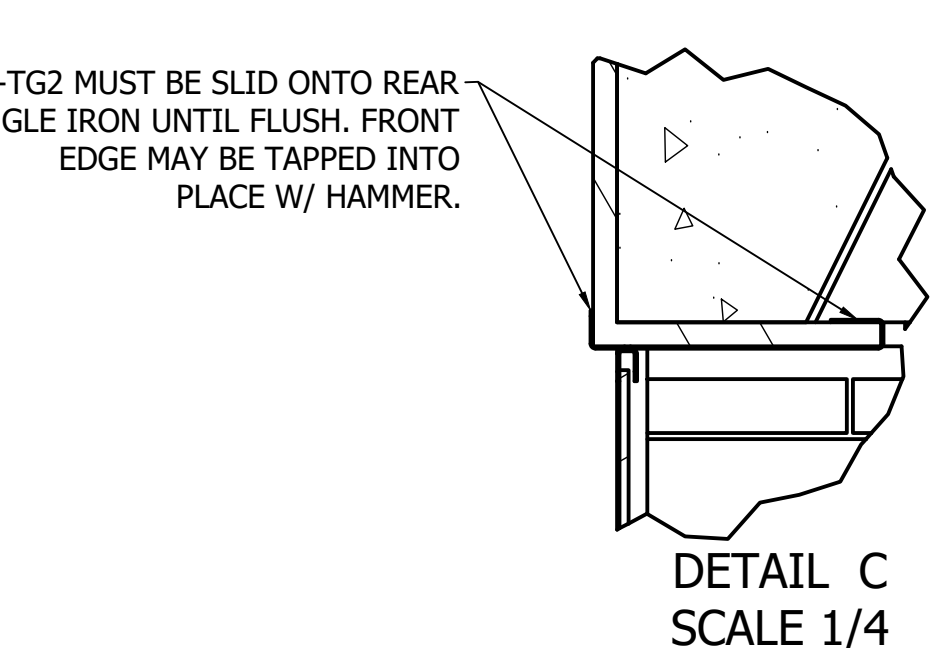
DRAWINGS ARE FOR DESIGN PURPOSES ONLY AND ARE THE SOLE PROPERTY OF EARTHCORE INDUSTRIES. ANY REPRODUCTION OR UNAUTHORIZED USE IS STRICTLY PROHIBITED.

EARTHCORE/ ISOKERN OR ANY DIVISION THEREOF SHALL NOT BE HELD LIABLE FOR ANY INCIDENTAL OR CONSEQUENTIAL DAMAGES OR EXPENSES ARISING OUT OF THE USE OF THE FIREPLACES OR CHIMNEY SYSTEMS.

ALWAYS CHECK LOCAL BUILDING CODES GOVERNING FIREPLACES AND FIREPLACE INSTALLATIONS.

UNLESS OTHERWISE STATED, ALL DIMENSIONS ARE IN INCHES

8" MAXIMUS LINEAR SEE-THRU W/ GFK
FIREPLACE CONSTRUCTION DOCUMENT W/ X-VENTISO-MERIDIAN



IMPORTANT: CLEARANCE INCREASES TO 18" IF HEAT SHIELD IS NOT INSTALLED.

X-VENTISO-MERIDIAN DAMPER ASSEMBLY REQUIRES 2" CLEARANCE TO COMBUSTIBLES WITH HEAT-SHIELD INSTALLED.

ROOM PRESSURE SENSOR
• MOUNT INTO ROOM IN WHICH FIREPLACE IS INSTALLED (LOCATION MAY VARY, DO NOT PLACE IN LOCATION THAT MAY BE BLOCKED OR COVERED)
• CONNECT TO X-VENTISO LOW PRESSURE PORT (BOTTOM)

4 PIN MOLEX CONNECTION

3 PIN MOLEX CONNECTION

(2) 120 VAC/ 15A RECEPTACLES

120 VAC/ 15A IN

GAS AND ELECTRICAL CONNECTIONS TO PILOT ASSEMBLY

3/8" GAS SUPPLY TO VALVE:
• NG: 5" W.C. MIN./ 10.5" W.C. MAX.
• LP: 11" W.C. MIN./ 13" W.C. MAX.

SEPARATE Ø1" HOLES TO BE DRILLED FOR 3/8 GAS SUPPLY TO BURNER AND THE PILOT ASSEMBLY GAS AND ELECTRICAL CONNECTIONS

AIR KITS ATTACH HERE (TWO PER AIR COLLECTOR BOX)

42 1/4 [1073] height

7 9/16 [192] burner height

7 11/16 [196] burner depth

17 3/16 [437] burner width

27 15/16 [710] burner depth

1 3/4 [44] depth

62 7/8 [1597] total height

42 1/4 [1073] height

16 13/16 [427] height

108 3/16 [2748] total width

108 7/8 [2766] total width

6" x 6" x 1/2" STEEL ANGLE ON BOTH SIDES (NOT PROVIDED BY EARTHCORE, SOURCE LOCALLY)

(8x) TG2 GLASS ASSEMBLY (4 REQUIRED EACH SIDE)

CG3 NEOCERAM GLASS ASSEMBLY

12" height

DISCONNECT SWITCH

X-VENTISO 350 RAIN COLLAR

X-VENTISO-MERIDIAN CONTROL PANEL

X-VENTISO-MERIDIAN DAMPER ASSEMBLY

X-VENTISO-12" PIPE ADAPTER FOR 350 FAN

X-VENTISO-MERIDIAN 350 FAN

MUST BE ACCESSIBLE
2" CLEARANCE REQUIRED

MUST USE ANCHOR PLATE WITH DOWN-DRAFT DIVERTER
MAINTAIN MINIMUM 1" CLEARANCE TO COMBUSTIBLES
FRAME OPENINGS 15" X 15" CLEAR

MOUNT 12" ABOVE FIREPLACE
CONNECT TO X-VENTISO HIGH PRESSURE PORT (TOP)

MOUNT INTO ROOM IN WHICH FIREPLACE IS INSTALLED (LOCATION MAY VARY, DO NOT PLACE IN LOCATION THAT MAY BE BLOCKED OR COVERED)
CONNECT TO X-VENTISO LOW PRESSURE PORT (BOTTOM)

INSULATION FROM FIREBOX (UNSHIELDED): 3"

IT IS CRITICAL IN PLANNING FOR THE INSTALLATION THAT THE SURROUND MATERIAL DOES NOT COVER THE GLASS AND ALLOWS FOR ITS REMOVAL FOR SERVICING/ CLEANING OF THE BURNER SYSTEM.

THIS DESIGN REQUIRES MECHANICAL VENTILATION ASSISTANCE USING THE X-VENTISO-MERIDIAN MAX LINEAR FAN SYSTEM FOR GAS-ONLY OPERATION. VENT PATHS ARE LIMITED TO A MAXIMUM OF TWO 90° ELBOWS AND MAY TERMINATE EITHER VERTICALLY OR HORIZONTALLY. REFER TO INSTALLATION MANUAL FOR MAXIMUM VENT LENGTHS AND ADDITIONAL INFORMATION REGARDING FLUE RUNS.

ENSURE TWO 120VAC/ 15A OUTLETS ARE PROVIDED FOR GAS VALVE AND X-VENTISO-MERIDIAN CONTROL PANEL IN ACCORDANCE WITH INSTALLATION MANUAL. CONTROLS SHALL BE LOCATED IN ACCESSIBLE LOCATION.

ALL ACCESSORIES/ EQUIPMENT INSTALLED WITH THIS FIREPLACE TO BE INSTALLED ACCORDING TO MANUFACTURER'S SPECIFICATIONS.

INSTALL AND SUPPORT ALL FLUE TO ALL MANUFACTURER SPECIFICATIONS. ENSURE MIN. 1" CLEARANCE TO COMBUSTIBLES IS KEPT AT ALL TIMES.

DRAWINGS ARE FOR DESIGN PURPOSES ONLY AND ARE THE SOLE PROPERTY OF EARTHCORE INDUSTRIES. ANY REPRODUCTION OR UNAUTHORIZED USE IS STRICTLY PROHIBITED.

EARTHCORE/ ISOKERN OR ANY DIVISION THEREOF SHALL NOT BE HELD LIABLE FOR ANY INCIDENTAL OR CONSEQUENTIAL DAMAGES OR EXPENSES ARISING OUT OF THE USE OF THE FIREPLACES OR CHIMNEY SYSTEMS.

ALWAYS CHECK LOCAL BUILDING CODES GOVERNING FIREPLACES AND FIREPLACE INSTALLATIONS.

UNLESS OTHERWISE STATED, ALL DIMENSIONS ARE IN INCHES

8" MAXIMUS LINEAR SEE-THRU W/ GFK
FIREPLACE CONSTRUCTION DOCUMENT W/ X-VENTISO-MERIDIAN

PROJECT: 8" MAXIMUS LINEAR SEE-THRU W/ GFK

DESCRIPTION: FIREPLACE CONSTRUCTION DOCUMENT W/ X-VENTISO-MERIDIAN

MATERIAL: E.C. PUMICE MIXTURE

DRAWN: K.B.H.

DATE: 8/29/2024

APPROVED: [Signature]

SIZE: D

SCALE: 1"=1'-0"

DRAWING #: 82L96ST-GFK

REV: C

DO NOT SCALE

SHEET 1 OF 2

1 3/4 [44] depth

7 9/16 [192] burner height

7 11/16 [196] burner depth

17 3/16 [437] burner width

27 15/16 [710] burner depth

1 3/4 [44] depth

62 7/8 [1597] total height

42 1/4 [1073] height

16 13/16 [427] height

108 3/16 [2748] total width

108 7/8 [2766] total width

6" x 6" x 1/2" STEEL ANGLE ON BOTH SIDES (NOT PROVIDED BY EARTHCORE, SOURCE LOCALLY)

(8x) TG2 GLASS ASSEMBLY (4 REQUIRED EACH SIDE)

CG3 NEOCERAM GLASS ASSEMBLY

12" height

DISCONNECT SWITCH

X-VENTISO 350 RAIN COLLAR

X-VENTISO-MERIDIAN CONTROL PANEL

X-VENTISO-MERIDIAN DAMPER ASSEMBLY

X-VENTISO-12" PIPE ADAPTER FOR 350 FAN

X-VENTISO-MERIDIAN 350 FAN

MUST BE ACCESSIBLE
2" CLEARANCE REQUIRED

MUST USE ANCHOR PLATE WITH DOWN-DRAFT DIVERTER
MAINTAIN MINIMUM 1" CLEARANCE TO COMBUSTIBLES
FRAME OPENINGS 15" X 15" CLEAR

MOUNT 12" ABOVE FIREPLACE
CONNECT TO X-VENTISO HIGH PRESSURE PORT (TOP)

MOUNT INTO ROOM IN WHICH FIREPLACE IS INSTALLED (LOCATION MAY VARY, DO NOT PLACE IN LOCATION THAT MAY BE BLOCKED OR COVERED)
CONNECT TO X-VENTISO LOW PRESSURE PORT (BOTTOM)

INSULATION FROM FIREBOX (UNSHIELDED): 3"

IT IS CRITICAL IN PLANNING FOR THE INSTALLATION THAT THE SURROUND MATERIAL DOES NOT COVER THE GLASS AND ALLOWS FOR ITS REMOVAL FOR SERVICING/ CLEANING OF THE BURNER SYSTEM.

THIS DESIGN REQUIRES MECHANICAL VENTILATION ASSISTANCE USING THE X-VENTISO-MERIDIAN MAX LINEAR FAN SYSTEM FOR GAS-ONLY OPERATION. VENT PATHS ARE LIMITED TO A MAXIMUM OF TWO 90° ELBOWS AND MAY TERMINATE EITHER VERTICALLY OR HORIZONTALLY. REFER TO INSTALLATION MANUAL FOR MAXIMUM VENT LENGTHS AND ADDITIONAL INFORMATION REGARDING FLUE RUNS.

ENSURE TWO 120VAC/ 15A OUTLETS ARE PROVIDED FOR GAS VALVE AND X-VENTISO-MERIDIAN CONTROL PANEL IN ACCORDANCE WITH INSTALLATION MANUAL. CONTROLS SHALL BE LOCATED IN ACCESSIBLE LOCATION.

ALL ACCESSORIES/ EQUIPMENT INSTALLED WITH THIS FIREPLACE TO BE INSTALLED ACCORDING TO MANUFACTURER'S SPECIFICATIONS.

INSTALL AND SUPPORT ALL FLUE TO ALL MANUFACTURER SPECIFICATIONS. ENSURE MIN. 1" CLEARANCE TO COMBUSTIBLES IS KEPT AT ALL TIMES.

DRAWINGS ARE FOR DESIGN PURPOSES ONLY AND ARE THE SOLE PROPERTY OF EARTHCORE INDUSTRIES. ANY REPRODUCTION OR UNAUTHORIZED USE IS STRICTLY PROHIBITED.

EARTHCORE/ ISOKERN OR ANY DIVISION THEREOF SHALL NOT BE HELD LIABLE FOR ANY INCIDENTAL OR CONSEQUENTIAL DAMAGES OR EXPENSES ARISING OUT OF THE USE OF THE FIREPLACES OR CHIMNEY SYSTEMS.

ALWAYS CHECK LOCAL BUILDING CODES GOVERNING FIREPLACES AND FIREPLACE INSTALLATIONS.

UNLESS OTHERWISE STATED, ALL DIMENSIONS ARE IN INCHES

8" MAXIMUS LINEAR SEE-THRU W/ GFK
FIREPLACE CONSTRUCTION DOCUMENT W/ X-VENTISO-MERIDIAN

PROJECT: 8" MAXIMUS LINEAR SEE-THRU W/ GFK

DESCRIPTION: FIREPLACE CONSTRUCTION DOCUMENT W/ X-VENTISO-MERIDIAN

MATERIAL: E.C. PUMICE MIXTURE

DRAWN: K.B.H.

DATE: 8/29/2024

APPROVED: [Signature]

SIZE: D

SCALE: 1"=1'-0"

DRAWING #: 82L96ST-GFK

REV: C

DO NOT SCALE

SHEET 1 OF 2

1 3/4 [44] depth

7 9/16 [192] burner height

7 11/16 [196] burner depth

17 3/16 [437] burner width

27 15/16 [710] burner depth

1 3/4 [44] depth

62 7/8 [1597] total height

42 1/4 [1073] height

16 13/16 [427] height

108 3/16 [2748] total width

108 7/8 [2766] total width

6" x 6" x 1/2" STEEL ANGLE ON BOTH SIDES (NOT PROVIDED BY EARTHCORE, SOURCE LOCALLY)

(8x) TG2 GLASS ASSEMBLY (4 REQUIRED EACH SIDE)

CG3 NEOCERAM GLASS ASSEMBLY

12" height

DISCONNECT SWITCH

X-VENTISO 350 RAIN COLLAR

X-VENTISO-MERIDIAN CONTROL PANEL

X-VENTISO-MERIDIAN DAMPER ASSEMBLY

X-VENTISO-12" PIPE ADAPTER FOR 350 FAN

X-VENTISO-MERIDIAN 350 FAN

MUST BE ACCESSIBLE
2" CLEARANCE REQUIRED

MUST USE ANCHOR PLATE WITH DOWN-DRAFT DIVERTER
MAINTAIN MINIMUM 1" CLEARANCE TO COMBUSTIBLES
FRAME OPENINGS 15" X 15" CLEAR

MOUNT 12" ABOVE FIREPLACE
CONNECT TO X-VENTISO HIGH PRESSURE PORT (TOP)

MOUNT INTO ROOM IN WHICH FIREPLACE IS INSTALLED (LOCATION MAY VARY, DO NOT PLACE IN LOCATION THAT MAY BE BLOCKED OR COVERED)
CONNECT TO X-VENTISO LOW PRESSURE PORT (BOTTOM)

INSULATION FROM FIREBOX (UNSHIELDED): 3"

IT IS CRITICAL IN PLANNING FOR THE INSTALLATION THAT THE SURROUND MATERIAL DOES NOT COVER THE GLASS AND ALLOWS FOR ITS REMOVAL FOR SERVICING/ CLEANING OF THE BURNER SYSTEM.

THIS DESIGN REQUIRES MECHANICAL VENTILATION ASSISTANCE USING THE X-VENTISO-MERIDIAN MAX LINEAR FAN SYSTEM FOR GAS-ONLY OPERATION. VENT PATHS ARE LIMITED TO A MAXIMUM OF TWO 90° ELBOWS AND MAY TERMINATE EITHER VERTICALLY OR HORIZONTALLY. REFER TO INSTALLATION MANUAL FOR MAXIMUM VENT LENGTHS AND ADDITIONAL INFORMATION REGARDING FLUE RUNS.

ENSURE TWO 120VAC/ 15A OUTLETS ARE PROVIDED FOR GAS VALVE AND X-VENTISO-MERIDIAN CONTROL PANEL IN ACCORDANCE WITH INSTALLATION MANUAL. CONTROLS SHALL BE LOCATED IN ACCESSIBLE LOCATION.

ALL ACCESSORIES/ EQUIPMENT INSTALLED WITH THIS FIREPLACE TO BE INSTALLED ACCORDING TO MANUFACTURER'S SPECIFICATIONS.

INSTALL AND SUPPORT ALL FLUE TO ALL MANUFACTURER SPECIFICATIONS. ENSURE MIN. 1" CLEARANCE TO COMBUSTIBLES IS KEPT AT ALL TIMES.

DRAWINGS ARE FOR DESIGN PURPOSES ONLY AND ARE THE SOLE PROPERTY OF EARTHCORE INDUSTRIES. ANY REPRODUCTION OR UNAUTHORIZED USE IS STRICTLY PROHIBITED.

EARTHCORE/ ISOKERN OR ANY DIVISION THEREOF SHALL NOT BE HELD LIABLE FOR ANY INCIDENTAL OR CONSEQUENTIAL DAMAGES OR EXPENSES ARISING OUT OF THE USE OF THE FIREPLACES OR CHIMNEY SYSTEMS.

ALWAYS CHECK LOCAL BUILDING CODES GOVERNING FIREPLACES AND FIREPLACE INSTALLATIONS.

UNLESS OTHERWISE STATED, ALL DIMENSIONS ARE IN INCHES

8" MAXIMUS LINEAR SEE-THRU W/ GFK
FIREPLACE CONSTRUCTION DOCUMENT W/ X-VENTISO-MERIDIAN

PROJECT: 8" MAXIMUS LINEAR SEE-THRU W/ GFK

DESCRIPTION: FIREPLACE CONSTRUCTION DOCUMENT W/ X-VENTISO-MERIDIAN

MATERIAL: E.C. PUMICE MIXTURE

DRAWN: K.B.H.

DATE: 8/29/2024

APPROVED: [Signature]

SIZE: D

SCALE: 1"=1'-0"

DRAWING #: 82L96ST-GFK

REV: C

DO NOT SCALE

SHEET 1 OF 2

1 3/4 [44] depth

7 9/16 [192] burner height

7 11/16 [196] burner depth

17 3/16 [437] burner width

27 15/16 [710] burner depth

1 3/4 [44] depth

62 7/8 [1597] total height

42 1/4 [1073] height

16 13/16 [427] height

108 3/16 [2748] total width

108 7/8 [2766] total width

6" x 6" x 1/2" STEEL ANGLE ON BOTH SIDES (NOT PROVIDED BY EARTHCORE, SOURCE LOCALLY)

(8x) TG2 GLASS ASSEMBLY (4 REQUIRED EACH SIDE)

CG3 NEOCERAM GLASS ASSEMBLY

12" height

DISCONNECT SWITCH

X-VENTISO 350 RAIN COLLAR

X-VENTISO-MERIDIAN CONTROL PANEL

X-VENTISO-MERIDIAN DAMPER ASSEMBLY

X-VENTISO-12" PIPE ADAPTER FOR 350 FAN

X-VENTISO-MERIDIAN 350 FAN

MUST BE ACCESSIBLE
2" CLEARANCE REQUIRED

MUST USE ANCHOR PLATE WITH DOWN-DRAFT DIVERTER
MAINTAIN MINIMUM 1" CLEARANCE TO COMBUSTIBLES
FRAME OPENINGS 15" X 15" CLEAR

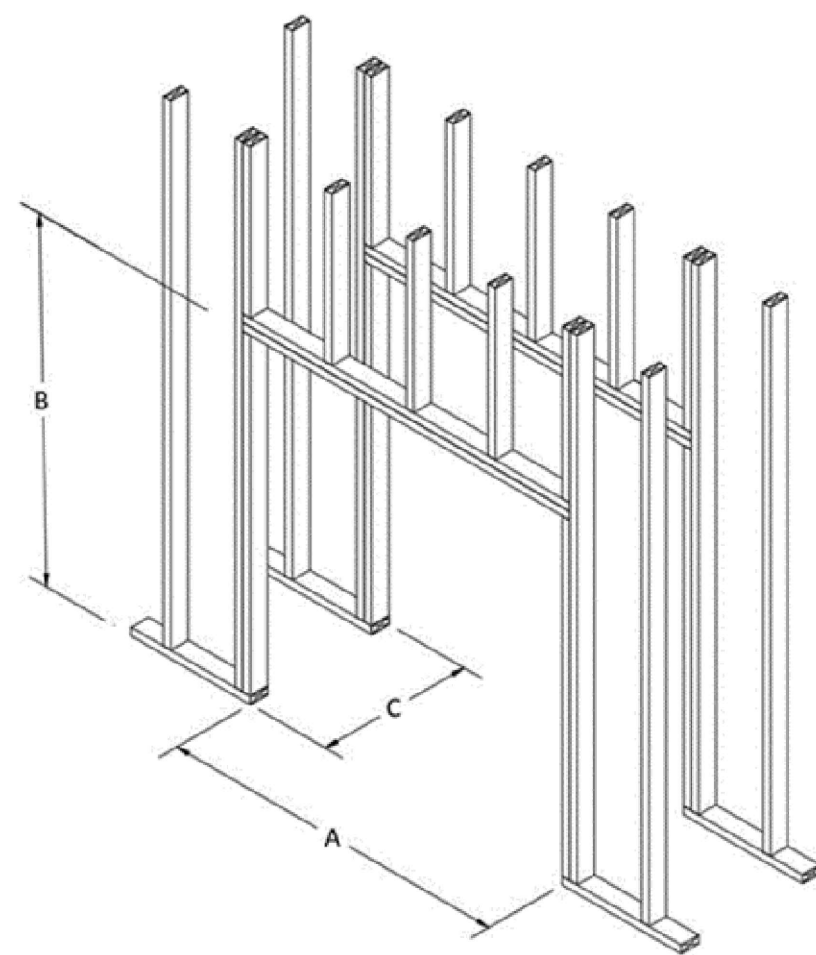
MOUNT 12" ABOVE FIREPLACE
CONNECT TO X-VENTISO HIGH PRESSURE PORT (TOP)

MOUNT INTO ROOM IN WHICH FIREPLACE IS INSTALLED (LOCATION MAY VARY, DO NOT PLACE IN LOCATION THAT MAY BE BLOCKED OR COVERED)
CONNECT TO X-VENTISO LOW PRESSURE PORT (BOTTOM)

INSULATION FROM FIREBOX (UNSHIELDED): 3"

IT IS CRITICAL IN PLANNING FOR THE INSTALLATION THAT THE SURROUND MATERIAL DOES NOT COVER THE GLASS AND ALLOWS FOR ITS REMOVAL FOR SERVICING/ CLEANING OF THE BURNER SYSTEM.

Rough Framing Dimensions



TYPICAL INSTALLATION FRAMING DIMENSIONS			
Model #	A - Width	B - Height	C - Depth
82L48ST	56"	64-1/2"	28"
82L60ST	77"	64-1/2"	28"
82L72ST	89"	64-1/2"	28"
82L96ST	112"	64-1/2"	28"
82L120ST	135"	64-1/2"	28"

NOTES:

- "B" includes the required 3" thick base plate.
- If the Maximus Linear See-Thru with Glass-Front installation is to be elevated, this "Raised hearth" installation will require additional rough opening height at "B" that is equal to the height of the raised hearth.

IMPORTANT: Unless the insulation on walls at sides of firebox is installed behind plywood sheathing, the walls must be framed to account for the required 3" clearance to insulation. Even at this distance, the installer should be aware that usage of spray foam insulation may expand past the face of the stud wall and will require trimming prior to firebox installation to maintain the required 3" clearance. It is important that any insulation that is not installed behind sheathing shall be installed in such a manner that it cannot fall on the firebox and encroach on this clearance.

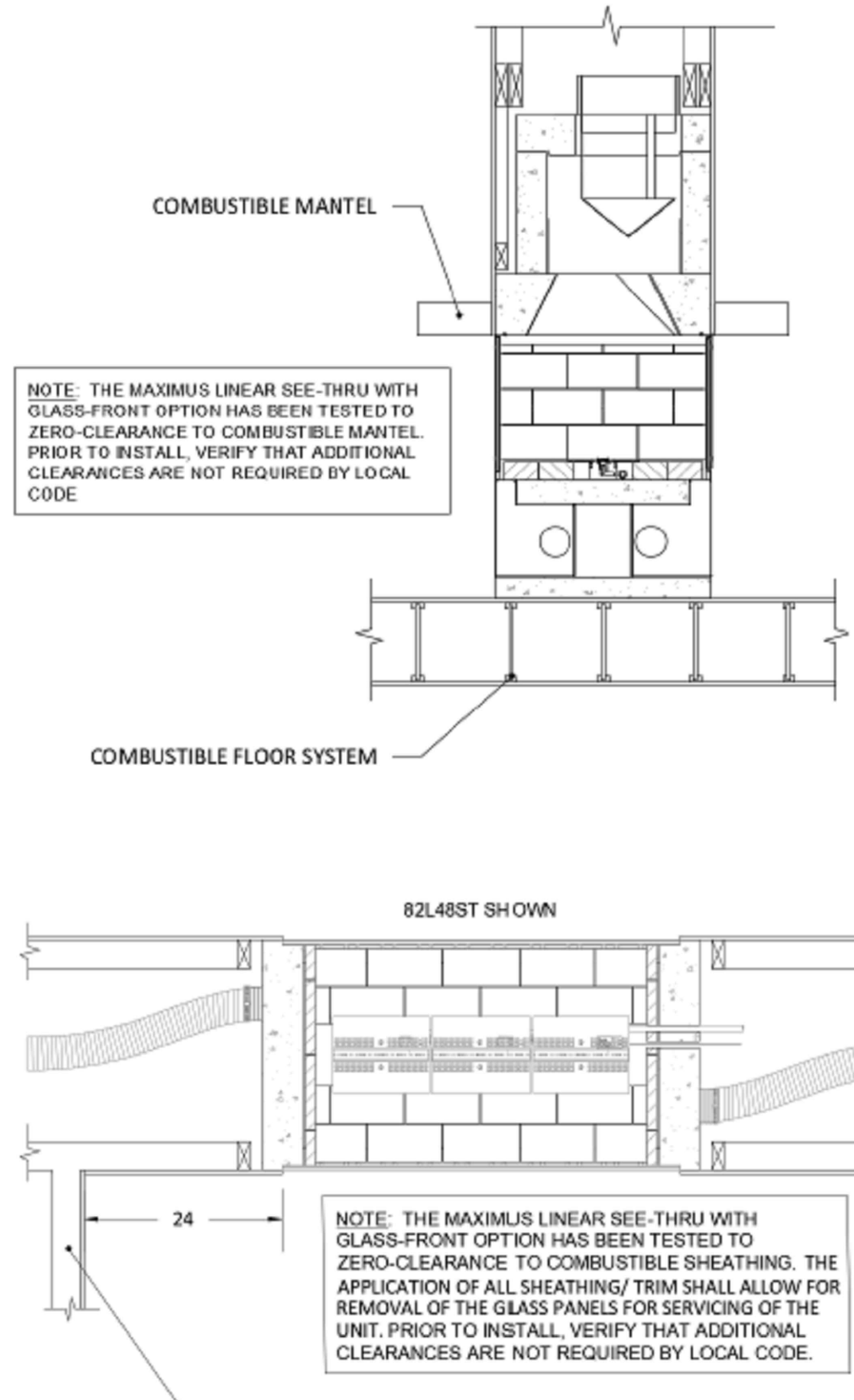
Firebrick Installation - Maximus Linear See-Thru with Glass-Front

- Lay two courses of "full" sized firebrick so that the leading edge of the coursing begins at the Brick Barrier that is affixed to the Air Collector Box (s). Ensure a gap of approximately 1/2" is kept between firebrick and sidewall to allow for expansion.
IMPORTANT: The Brick Barrier prevents installation of firebrick in a manner that may block the cooling air vents. **DO NOT BLOCK THE COOLING AIR VENTS.**
- Repeat Step 1 for the opposite side of the See-Thru firebox.
- Starting and ending approximately 1/2" from the edge of the unit's sidewall, apply "split" firebrick to the side wall of the unit. Ensure approximately 1/4" gap is kept between firebrick and damper beam/damper block assembly to allow for expansion.
- Repeat on opposite side wall.

IMPORTANT:

Ensure that the required holes for the Isoflames Linear burner's 3/8" gas supply line and pilot assembly gas and electrical connections are drilled prior to firebrick installation. **DO NOT COVER THESE AREAS WITH FIREBRICK!**

Clearance to Combustible Trim



NOTE: "Clearance to Combustible Trim" are those distances required to ensure that a fireplace mantel or facing will not catch fire. In most cases the distances should also be adequate to prevent any discoloration or warping due to heat. However, each installation presents a unique and completely different set of circumstances involving many variables.

These variables include paint or finish composition, previous exposure to heat, methods and quality of construction, air flow patterns, etc. Because of these variables, the manufacturer does not guarantee that heat-warping or discoloration will never occur.

MANTEL AND MANTEL SHELF CLEARANCES:

Maximus Linear with Glass Fronts units are designed to be installed so that the rough front face(s) of the Isokern firebox and sits flush with the face of the rough framing members that create the room wall finish.

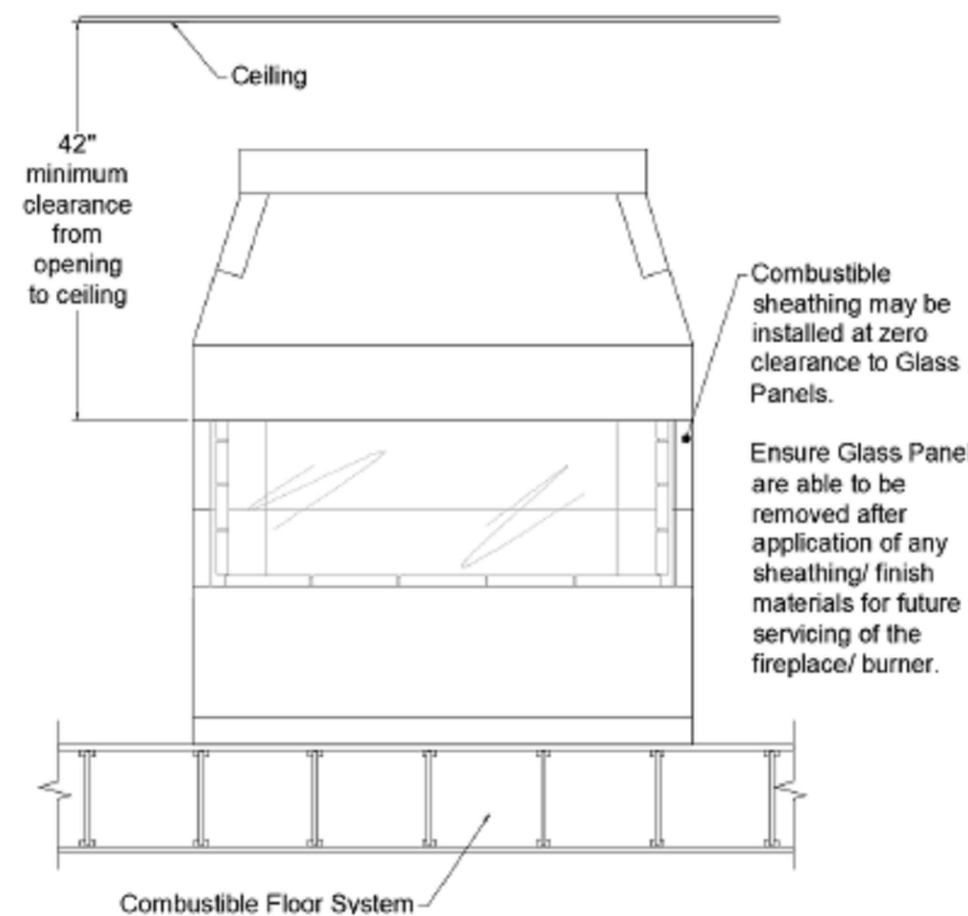
The Maximus Linear with Glass Front has been tested to zero-clearance to combustible mantel and sheathing. The zero-clearance rating requires the glass panels to be installed during fireplace operation. Do not operate with the glass panels removed. Prior to installation, verify that additional clearances are not required by local code.

ADJOINING WALLS:

It is recommended that adjoining room walls to the Isokern fireplace installation not be closer than twenty-four inches (24") to the finished fireplace opening.

CEILINGS:

The minimum clearance from the top of the fireplace opening to a ceiling is forty-two inches (42").



Maximus Linear Series (Gas Only) Specifications

MANUFACTURER:
ISOKERN Fireplace and Chimney Systems, North America distribution by Earthcore Industries, LLC, Jacksonville, Florida (Telephone 800-642-2920)

PRODUCT DESCRIPTION:

- Modular refractory masonry precast fireplace and chimney system.
- Designed for field assembly as a fireplace and B-vent chimney system.
 - All interlocking parts necessary for assembly of a complete firebox, smoke dome, and Glass-Front Kit (Glass-Front Kit is installation option of the Maximus Linear series and is not required for all installations).
 - Isoflames Linear Burner and Valve system (per installation manual)
 - 12" B-vent chimney flue (per installation manual)
 - Mechanical draft system (per installation manual)

MATERIALS:

- Light weight concrete of a proprietary mixture of Icelandic volcanic aggregate and aluminum cement for precast firebox, chimney block and flue liner components.
 - Compressive Strength: Firebox Block: 972 psi.
- Premixed (dry) EARTHCORE ADHESIVE.
 - Tensile strength: 807 psi; Compressive strength: 2460 psi.
 - Tested per ASTM C109, ASTM C307, and ANSI 118.4.
- Standard 1-1/8" high temperature refractory brick to line firebox interior walls.
- Standard 2-1/2" high temperature refractory brick to line firebox floor.

INSTALLATION:

- Reference manufacturer's installation instructions for standard configurations, weights, sizes and installation details.
- Suitable masonry foundation or structural wood floor system must be provided.
- Non combustible hearth extensions must be provided.
- Unit to be assembled on site per manufacturer's illustrated instructions.
 - Premixed EARTHCORE ADHESIVE is used at all joints between components.
 - Firebox to be lined with a minimum 1-1/8" rated firebrick on the walls and 2-1/2" rated firebrick on floor (trough created in firebrick floor for Isoflames Linear Burner installation).
 - A 1-1/2" minimum clearance to combustible materials is required for firebox side and back-walls.
 - A 3" minimum clearance to insulation required.
- Shall be installed only with the approved Isoflames Linear Burner and Valve System as detailed in the instruction manual.
- Installation must use 12" B-vent pipe as detailed in the instruction manual (Anchor Plate with Down-Draft Diverter required).
- Only approved mechanical draft systems shall be utilized, as detailed in the instruction manual.

CERTIFICATION:

- PFS Corporation, PFS Report No. F19-161
- Meets or exceeds ANSI Z 21.50-2014, CSA 2.22-2014

CODE COMPLIANCE:

- ICC NO. ESR 4873

NOTE: Isokern components are a natural material and slight variations in dimensions may occur. These should be no more than 1/8".

WEIGHTS AND LOAD CALCULATIONS

Total dead load amounts include (but are not necessarily limited to) the following items and their corresponding weight estimates as listed below:

- Isokern Maximus Linear-See-Thru w/ Glass Front unit weights:
 - Maximus Linear See-Thru w/ Glass Front - 48: 1,413 lbs. (no burner, flue, accessories)
 - Maximus Linear See-Thru w/ Glass Front - 60: 1,995 lbs. (includes steel angle; but no burner, flue, accessories)
 - Maximus Linear See-Thru w/ Glass Front - 72: 2,321 lbs. (includes steel angle; but no burner, flue, accessories)
 - Maximus Linear See-Thru w/ Glass Front - 96: 2,820 lbs. (includes steel angle; but no burner, flue, accessories)
 - Maximus Linear See-Thru w/ Glass Front - 120: 3,438 lbs. (includes steel angle; but no burner, flue, accessories)
- Approximate weight of glass media: 100 lbs.
- Fire brick and Adhesive: 350 lbs. - 1800 lbs. depending on brick size and pattern
- Facing material: per general contractor
- B-Vent metal flue: per manufacturer and installation requirements

The floor area for each model is as follows:

- Maximus Linear-See-Thru w/ Glass Front - 48: @ 53" x 28" = 10.3 sq. ft.
- Maximus Linear-See-Thru w/ Glass Front - 60: @ 73-1/2" x 28" = 14.3 sq. ft.
- Maximus Linear-See-Thru w/ Glass Front - 72: @ 85-3/4" x 28" = 16.67 sq. ft.
- Maximus Linear-See-Thru w/ Glass Front - 96: @ 108-1/4" x 28" = 21.04 sq. ft.
- Maximus Linear-See-Thru w/ Glass Front - 120: @ 131-3/4" x 28" = 25.62 sq. ft.

Earthcore is not responsible for structural floor support details for this fireplace system. Unless otherwise noted all floor framing drawings in this manual are merely illustrations to indicate the presence of an underlying floor system. Consult your local structural engineer for proper floor system design, sizing, and specifications.

earthcore INDUSTRIES, L.L.C.	UNLESS OTHERWISE STATED, ALL DIMENSIONS ARE IN INCHES		PROJECT: 8" MAXIMUS LINEAR SEE-THRU W/ GFK	
	UNSPECIFIED TOLERANCES:	THIRD ANGLE PROJECTION	DESCRIPTION: GENERAL INFORMATION AND SPECIFICATIONS	
ANG. A ±		MATERIAL:	DATE: 8/29/2024	SIZE: D
LIN. XX ±		APPROVED:	DATE:	SCALE: N.T.S.
XXX ±				DRAWING #: 82L96ST-GFK
				REV: C
				DO NOT SCALE SHEET 2 OF 2

PFS ISOKERN SEE THRU LINEAR GAS FIREPLACE LISTED VENTED GAS FIREPLACE PER ANSI Z21.50-2019 CSA 2.22-2019

ISOKERN MADE IN THE USA CHESAPEAKE, VA 23323

US NOT FOR USE WITH SOLID FUEL

PFS REPORT NO. F19-161

SERIAL NO: S1000001 MODEL # 82L48ST 82L72ST 82L60ST 82L96ST 82L120ST

FOR USE WITH PROPANE (LP) OR NATURAL GAS, SEE GAS IDENTIFYING TAG ON BURNER

82L48ST NATURAL GAS MAX BTU 54,000; PROPANE MAX BTU 48,000

82L60ST NATURAL GAS MAX BTU 72,000; PROPANE MAX BTU 64,000

82L72ST NATURAL GAS MAX BTU 90,000; PROPANE MAX BTU 80,000

82L96ST NATURAL GAS MAX BTU 108,000; PROPANE MAX BTU 96,000

82L120ST NATURAL GAS MAX BTU 110,000; PROPANE MAX BTU 105,000

*See Burner Rating Plate For Additional Information

MANIFOLD PRESSURE: PROPANE (LP): 10" WATER COLUMN; NATURAL GAS: 3.5" WATER COLUMN

MINIMUM PERMISSIBLE GAS SUPPLY PRESSURE FOR PURPOSE OF INPUT ADJUSTMENT: PROPANE (LP): 11" WATER COLUMN; NATURAL GAS: 5" WATER COLUMN

ELECTRICAL RATING:	CLEARANCE TO COMBUSTIBLES:	Open Front Only	Glass Front Only
UNIT: ELECTRONIC	SMOKE DOVE FRONT	= 0in	= 0in
1 PH	UNIT SIDES AND REAR	= 1.5in	= 1.5in
60 HZ	COMBUSTIBLE SHEATHING ABOVE OPENING	= 0in	= 0in
120 VOLTS	TOP SHEATHING OR TRIM TO OPENING SIDES	= 8in	= 0in
LESS THAN 5 AMPS	MANTEL ABOVE OPENING	= 12in	= 0in
	INSULATION FROM FIREBOX	= 3in	= 3in

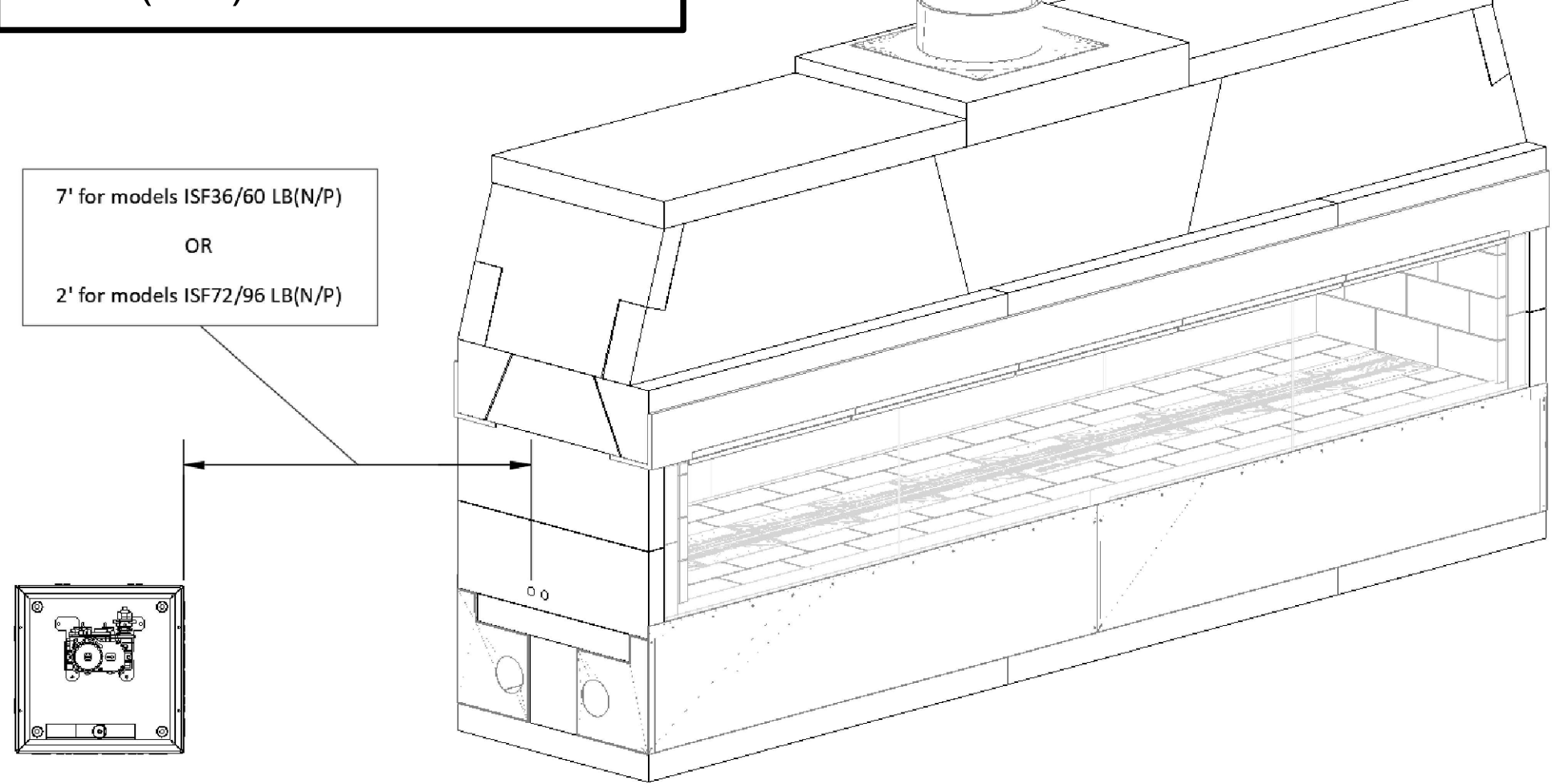
CAUTION: THIS APPLIANCE IS ONLY FOR USE WITH THE TYPE OF GAS INDICATED ON THE RATING PLATE. THIS APPLIANCE IS NOT CONVERTIBLE FOR USE WITH OTHER GASES, UNLESS A CERTIFIED KIT IS USED.

This appliance must be installed in accordance with local codes, if any. If none, follow the current ANSI Z223.1/NFPA 54 or CSA B149.1

See Installation and Operating Instructions for this model and ICC # ESR - 4873

EARTHCORE INDUSTRIES HEADQUARTERS JACKSONVILLE, FL 32256

E-VK(N/P) VALVE LOCATION



SCAN QR CODE FOR LATEST INSTALLATION MANUALS

