

TOP VIEW

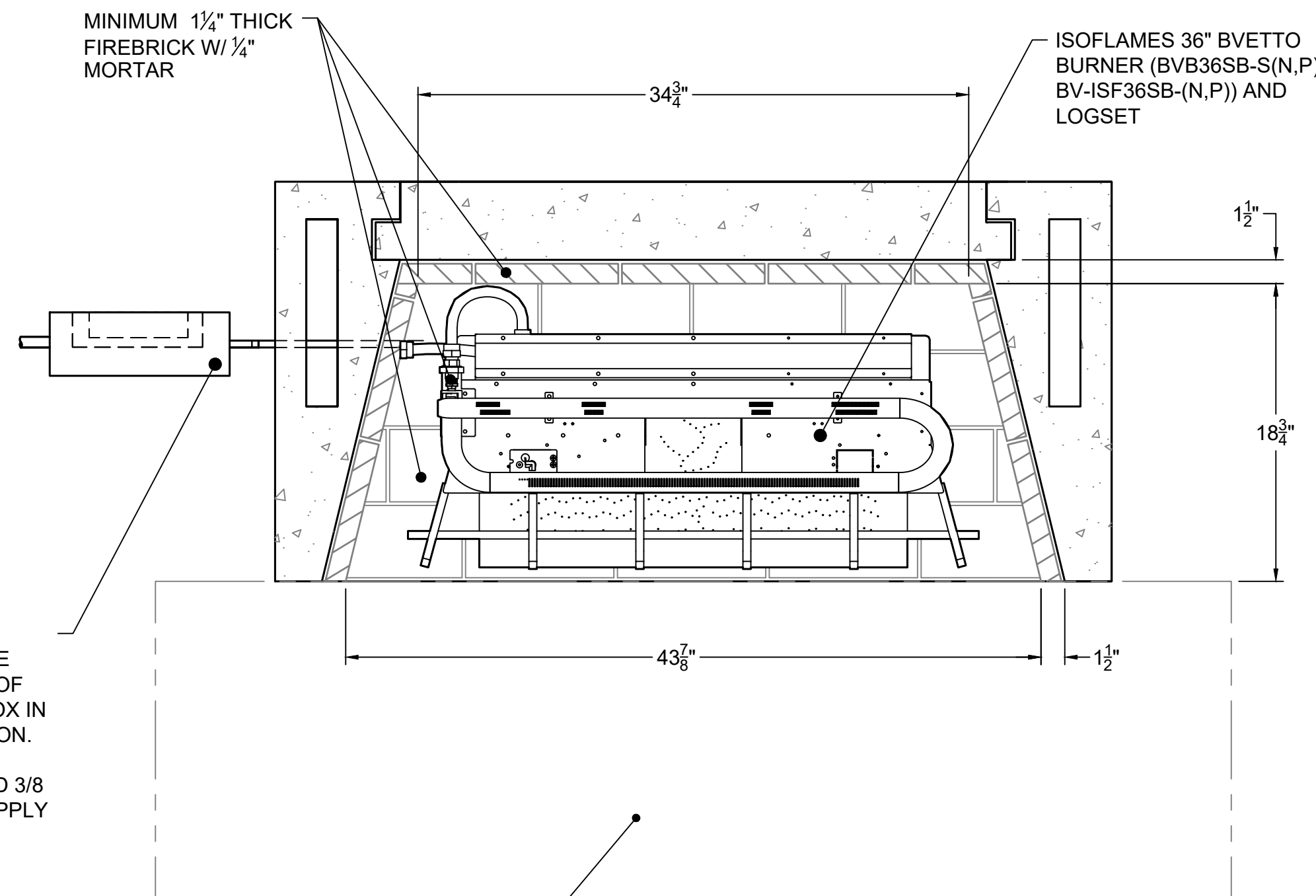
10" I.D./ 11" O.D. B-VENT PIPE REQUIRED FOR GAS-ONLY OPERATION.

INSTALLATION SHALL USE 10" B-VENT ANCHOR PLATE W/ DOWN-DRAFT DIVERTER (BVT-2).

MINIMUM FLUE HEIGHT OF 100" REQUIRED.

E-VKN/ E-VKP VALVE ENCLOSURE MUST BE MOUNTED WITHIN 7" OF SIDEWALL OF FIREBOX IN ACCESSIBLE LOCATION.

PROVIDE 120VAC AND 3/8 HARD-PIPED GAS SUPPLY

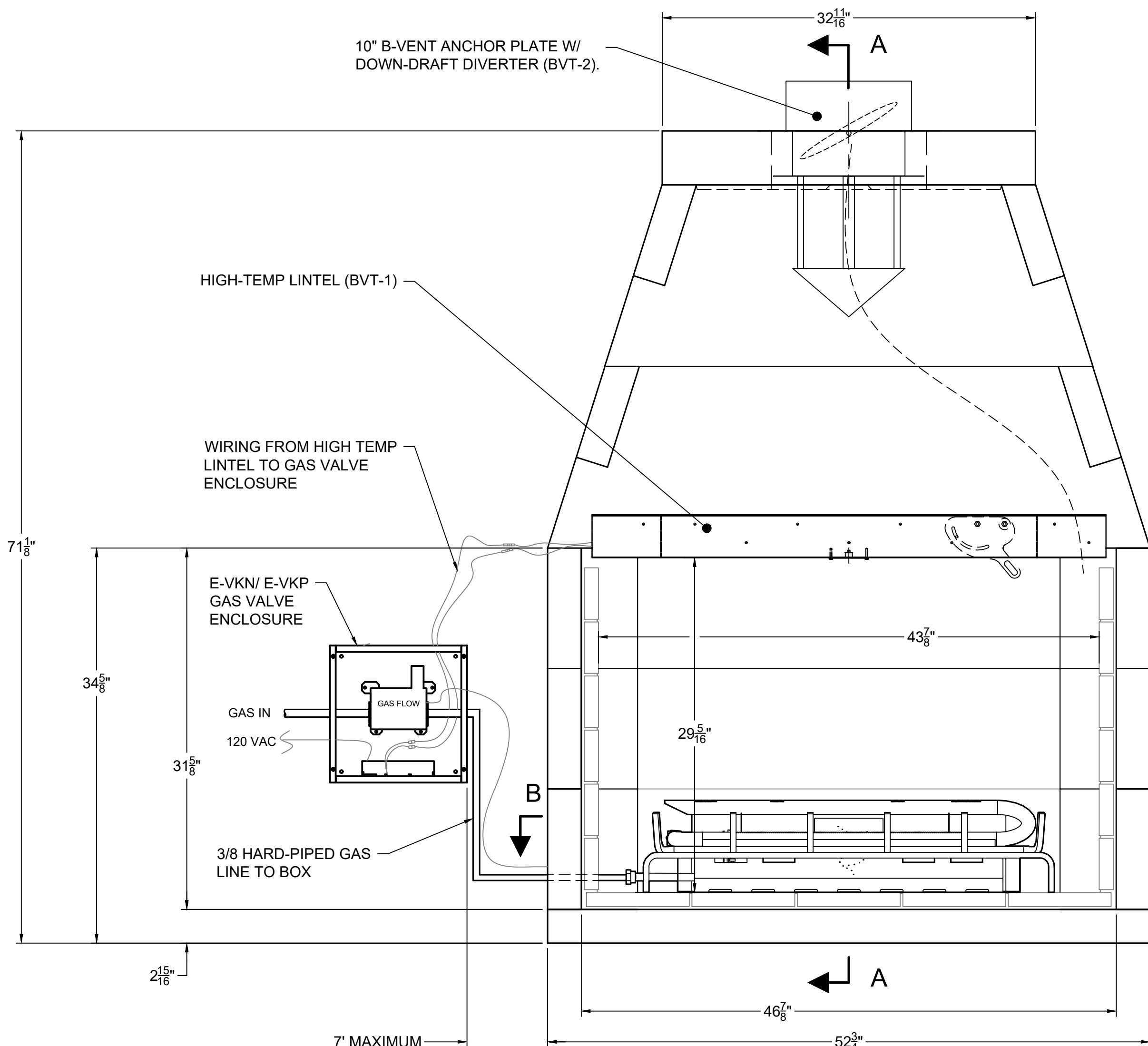


SECTION-B-B

ISOKERN FIREBOX MAY BE INSTALLED ON COMBUSTIBLE FLOOR SYSTEM AS LONG AS ISOKERN BASEPLATE AND MINIMUM 1-1/8" THICK FIREBRICK ARE UTILIZED..

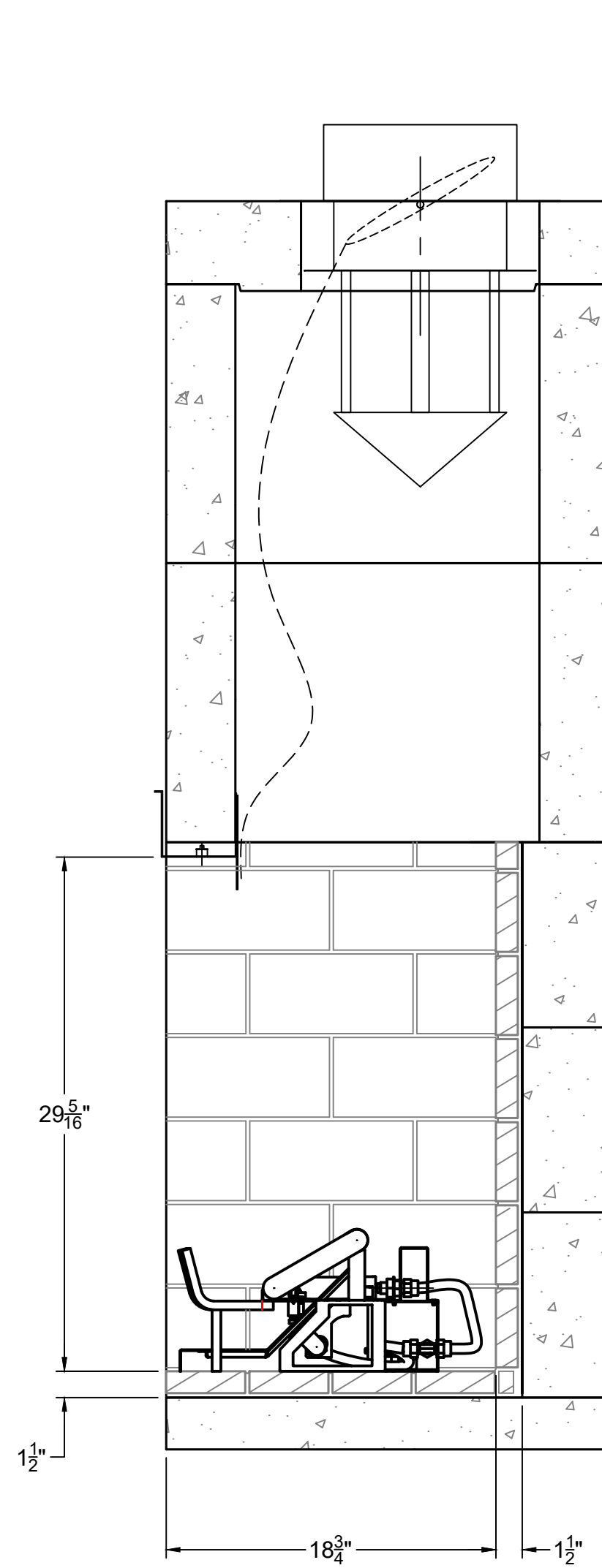
A NONCOMBUSTIBLE HEARTH EXTENSION IS REQUIRED AND SHALL EXTEND A MINIMUM OF 20" TO THE FRONT AND 12" TO THE SIDES OF FIREBOX'S FINISHED OPENING.

NOTE: IF ISOKERN FIREBOX AND NONCOMBUSTIBLE HEARTH EXTENSION ARE INSTALLED ON CONCRETE SLAB WITH NO COMBUSTIBLE UNDERPINNINGS, THE BASEPLATE MAY BE REMOVED FOR FLUSH HEARTH INSTALLATION.

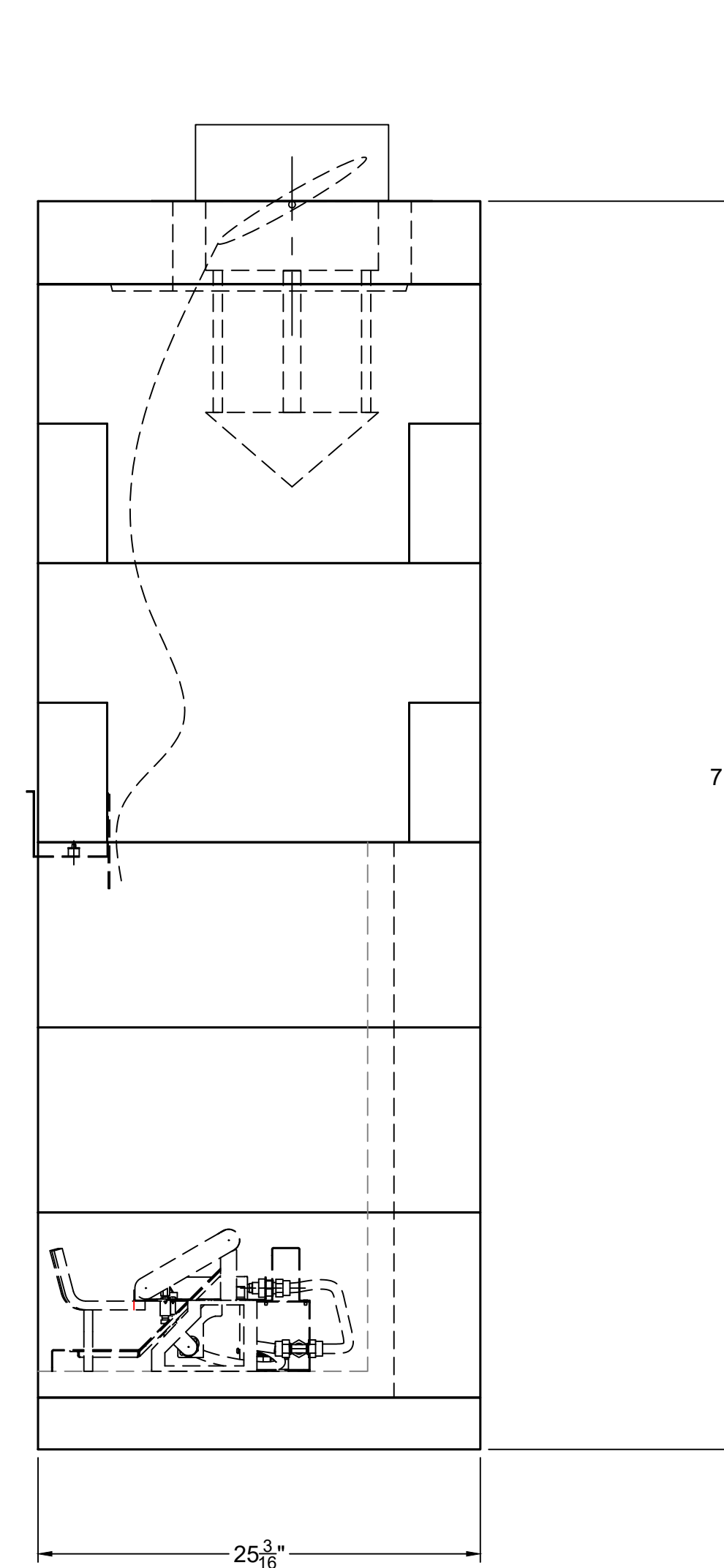


FRONT VIEW

BRICK NOT SHOWN ON REAR WALL IN THIS VIEW



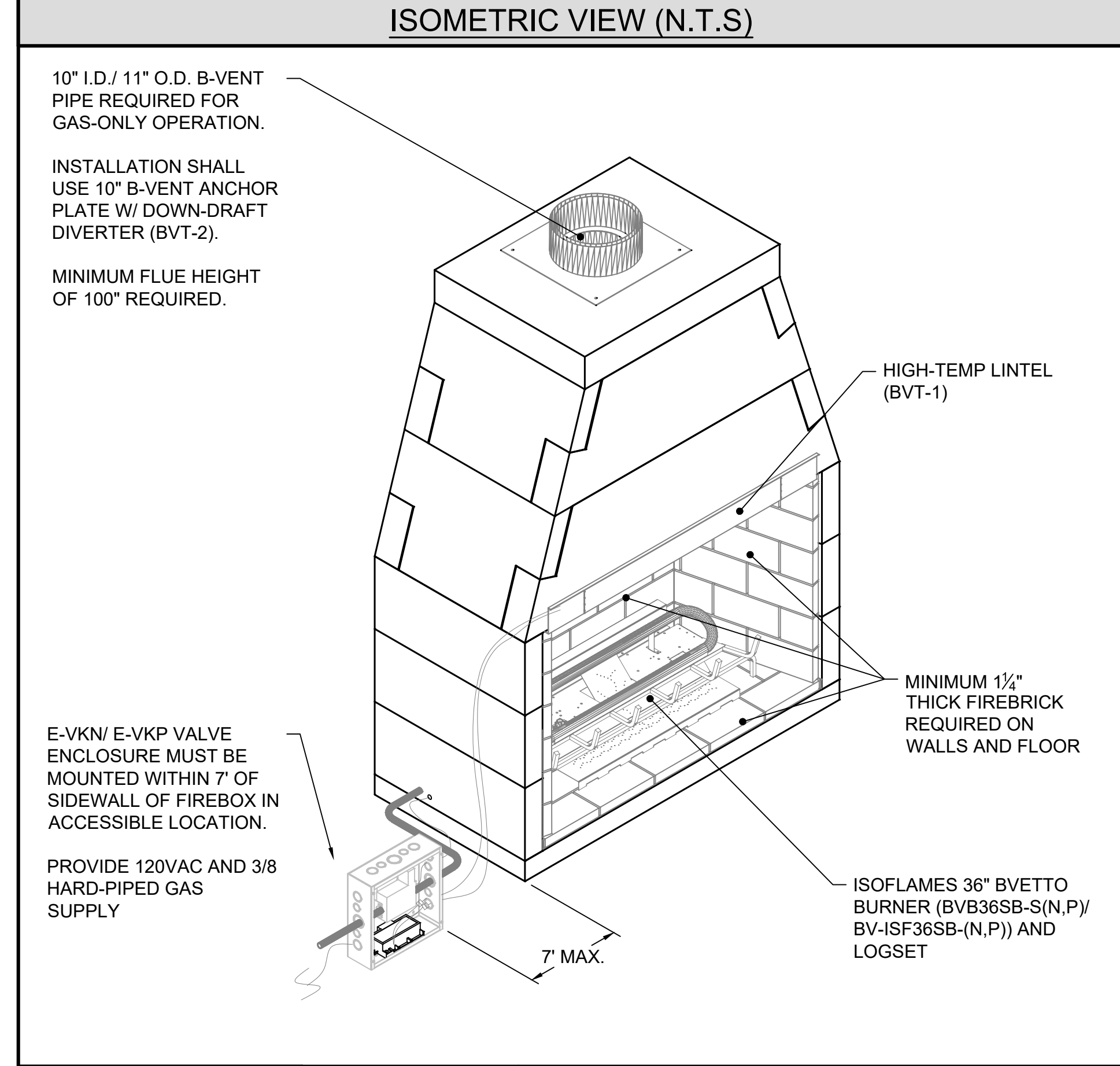
SECTION A-A



RIGHT-SIDE VIEW

COMPONENT LIST		
PART #	QTY.	DESCRIPTION
11	2	SMOKE DOME (MIDDLE)
13	2	SMOKE DOME (LARGE)
20	6	SIDEWALL
23	1	BASEPLATE-46" (STD)
31	3	BACKWALL-46" (STD)
34	4	TOP SLOPING
M77A	1	TOP PLATE W/345mm HOLE
BVT-1	1	HIGH TEMP LINTEL
BVT-2	1	10" B-VENT ANCHOR PLATE W/ DOWN DRAFT DIVERTER
BVB36SB-S(N,P)/ BV-ISF36SB-(N,P)	1	ISOFLAMES 36" BVETTO BURNER AND LOGSET *SEE NOTE #2

- GENERAL NOTES**
- THE ISOKERN BVETTO MODELS ARE TOP-VENTED, GAS ONLY FIREPLACES THAT ARE LISTED FOR USE ONLY WITH THE ISOKERN GAS LOG APPLIANCE(S) AS LISTED IN THE BVETTO INSTALLATION MANUAL(S). THESE GAS APPLIANCES COME WITH A GAS CONTROL VALVE THAT INCLUDES AN AUTOMATIC SHUT-OFF SWITCH. THE GAS VALVE IS AVAILABLE IN A MILLIVOLT REMOTE CONTROL PILOT ASSEMBLY.
 - THE ISOKERN BVETTO FIREPLACE AS SHOWN IN THIS DRAWING UTILIZES THE ISOFLAMES BVETTO BURNER. FOR INFORMATION REGARDING THE INSTALLATION OF THE OTHER APPROVED BURNER OFFERINGS, CONTACT YOUR LOCAL ISOKERN SALES REPRESENTATIVE.
 - FIREPLACE SHALL BE INSTALLED WITH THE MINIMUM CLEARANCES TO COMBUSTIBLES AS LISTED BELOW:
 - SMOKE DOME FRONT: 0"
 - UNIT SIDES: 0"
 - UNIT REAR: 1.5"
 - COMBUSTIBLE SHEATHING ABOVE OPENING TOP: 8"
 - COMBUSTIBLE SHEATHING OR TRIM TO OPENING SIDES: 8"
 - MANTEL ABOVE OPENING: 12"
 - OPENING TO SIDEWALLS: 24"
 - HEARTH EXTENSION BEYOND FRONT: 20"
 - HEARTH EXTENSION BEYOND SIDES (FINISHED): 12"
 - COMBUSTIBLE FLOOR: 0" (MUST USE ISOKERN BASE PLATE AND MINIMUM 1-1/8" THICK FIREBRICK)
 - INSULATION FROM FIREBOX (UNSHIELDED): 3"
 - ISOKERN FIREBOX MAY BE INSTALLED ON COMBUSTIBLE FLOOR SYSTEM AS LONG AS ISOKERN BASEPLATE AND MINIMUM 1-1/8" THICK FIREBRICK ARE UTILIZED. A NONCOMBUSTIBLE HEARTH EXTENSION IS REQUIRED AND SHALL EXTEND A MINIMUM OF 20" TO THE FRONT AND 12" TO THE SIDES OF FIREBOX'S FINISHED OPENING.
 - NOTE: IF ISOKERN FIREBOX AND NONCOMBUSTIBLE HEARTH EXTENSION ARE INSTALLED ON CONCRETE SLAB WITH NO COMBUSTIBLE UNDERPINNINGS, THE BASEPLATE MAY BE REMOVED FOR FLUSH HEARTH INSTALLATION.
 - THE BVETTO'S EXHAUST FLUE GASES ARE TO BE VENTED THROUGH THE TOP OF THE UNIT WITH LISTED 10" B-VENT PIPING. THE ANCHOR PLATE WITH DOWN DRAFT DIVERTER (BVT-1) AND THE HIGH TEMP LINTEL (BVT-2) ARE REQUIRED TO BE INTERLOCKED WITH THE BURNER OPERATION AS THE REQUIRED SAFETY SYSTEM.
 - NOTE: A TEN INCH (10") DIAMETER, DOUBLE WALL B-VENT SYSTEM WITH LISTED VENT CAP ARE NOT SUPPLIED BUT ARE REQUIRED FOR PROPER OPERATION OF ALL BVETTO MODELS, 36 AND 46.
 - INSTALL AND SUPPORT CLASS-B FLUE TO ALL MANUFACTURER SPECIFICATIONS. ENSURE MIN. 1" CLEARANCE TO COMBUSTIBLES IS KEPT AT ALL TIMES.
 - MINIMUM FLUE HEIGHT OF 100" IS REQUIRED, AS MEASURED FROM THE TOP PLATE OF THE UNIT. IF THIS CONDITION DOES NOT EXIST, MECHANICAL VENTILATION ASSISTANCE MAY BE REQUIRED.
 - THIS B-VENT FIREPLACE WILL CONSUME 348 CFM OF COMBUSTION AIR. IT IS THE HVAC CONTRACTOR'S RESPONSIBILITY TO ENSURE THIS MINIMUM AMOUNT OF MAKE UP AIR IS SUPPLIED TO THE ROOM IN WHICH THE FIREPLACE IS INSTALLED TO ENSURE SAFE OPERATION OF THE FIREPLACE AND ANY OTHER APPLIANCES IN THE RESIDENCE..
 - THE ISOFLAMES 36" BVETTO BURNER REQUIRES INSTALLATION OF REMOTE VALVE ENCLOSURE (E-VKN/ E-VKP). VALVE MUST BE INSTALLED WITHIN 7" OF SIDE OF FIREBOX. ENSURE 120 VAC AND 3/8" HARD-PIPED GAS SUPPLY ARE PROVIDED.
 - ALL ACCESSORIES/ EQUIPMENT INSTALLED WITH THIS FIREPLACE TO BE INSTALLED ACCORDING TO MANUFACTURER'S SPECIFICATIONS.
 - DRAWINGS ARE FOR DESIGN PURPOSES ONLY AND ARE THE SOLE PROPERTY OF EARTHORE INDUSTRIES. ANY REPRODUCTION OR UNAUTHORIZED USE IS STRICTLY PROHIBITED.
 - EARTHORE/ ISOKERN OR ANY DIVISION THEREOF SHALL NOT BE HELD LIABLE FOR ANY INCIDENTAL OR CONSEQUENTIAL DAMAGES OR EXPENSES ARISING OUT OF THE USE OF THE FIREPLACES OR CHIMNEY SYSTEMS.
 - ALWAYS CHECK LOCAL BUILDING CODES GOVERNING FIREPLACES AND FIREPLACE INSTALLATIONS.



46" BVETTO SERIES

DESCRIPTION: FIREPLACE CONSTRUCTION DOCUMENT

MATERIAL: E.C. PUMICE MIXTURE

DRAWN: K.B.H. DATE: 6/1/2023

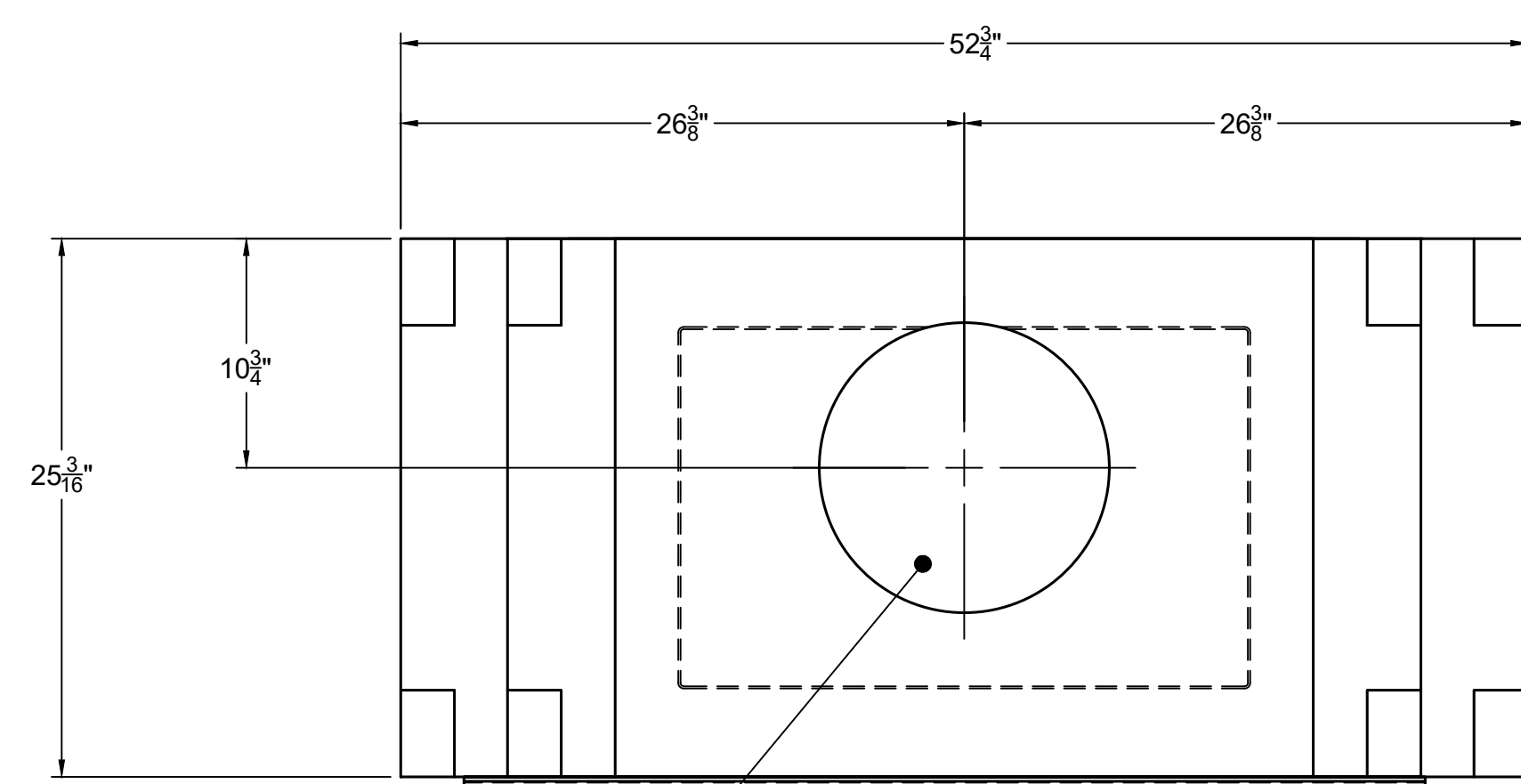
APPROVED: DATE:

SIZE: 1-1/2"=1'-0"

DRAWING #: 80B46

REV: A

6899 Phillips Industrial Blvd. Jacksonville, FL 32256

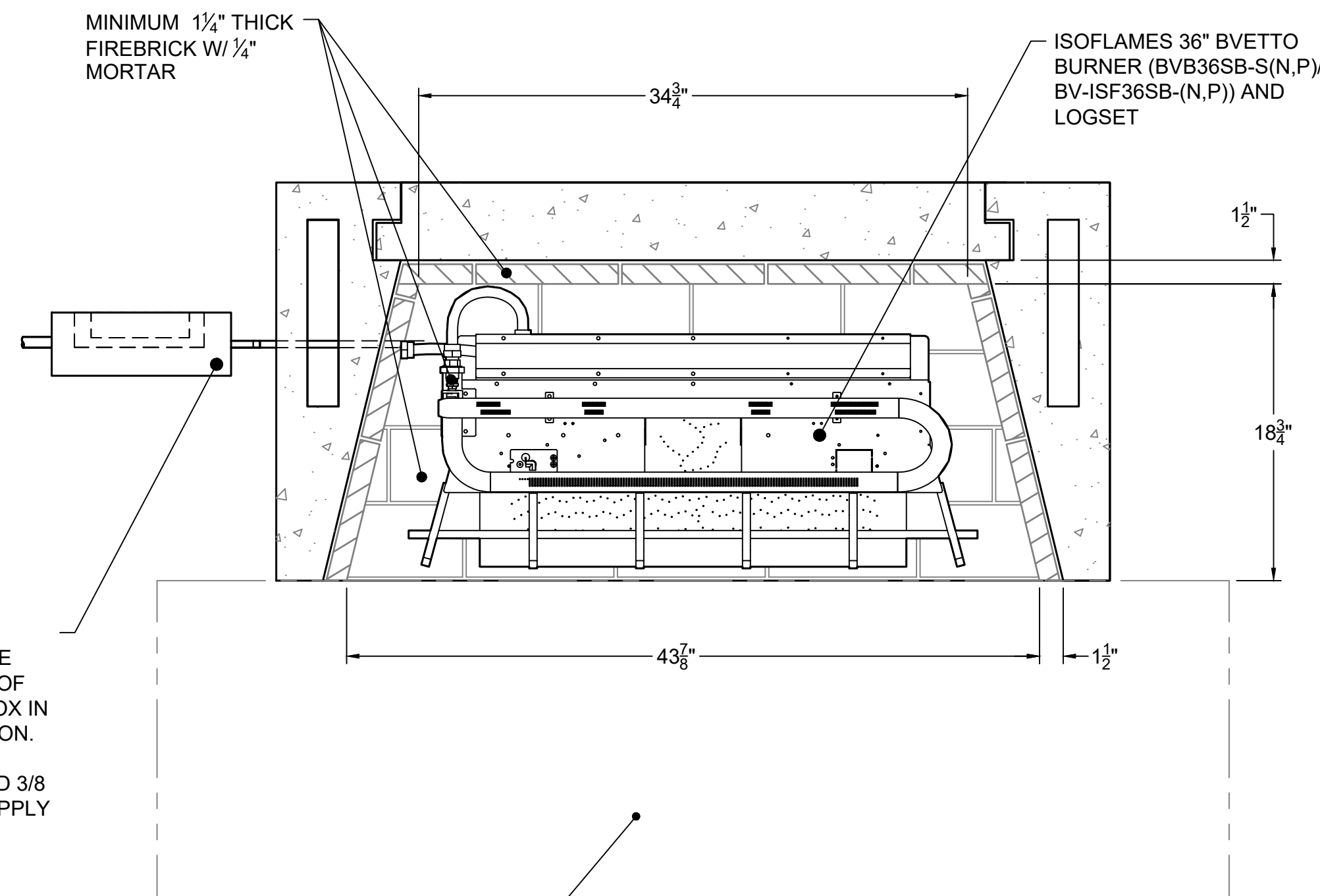


TOP VIEW

10" I.D./ 11" O.D. B-VENT PIPE REQUIRED FOR GAS-ONLY OPERATION.

INSTALLATION SHALL USE 10" B-VENT ANCHOR PLATE W/ DOWN-DRAFT DIVERTER (BVT-2).

MINIMUM FLUE HEIGHT OF 108" REQUIRED.



SECTION B-B

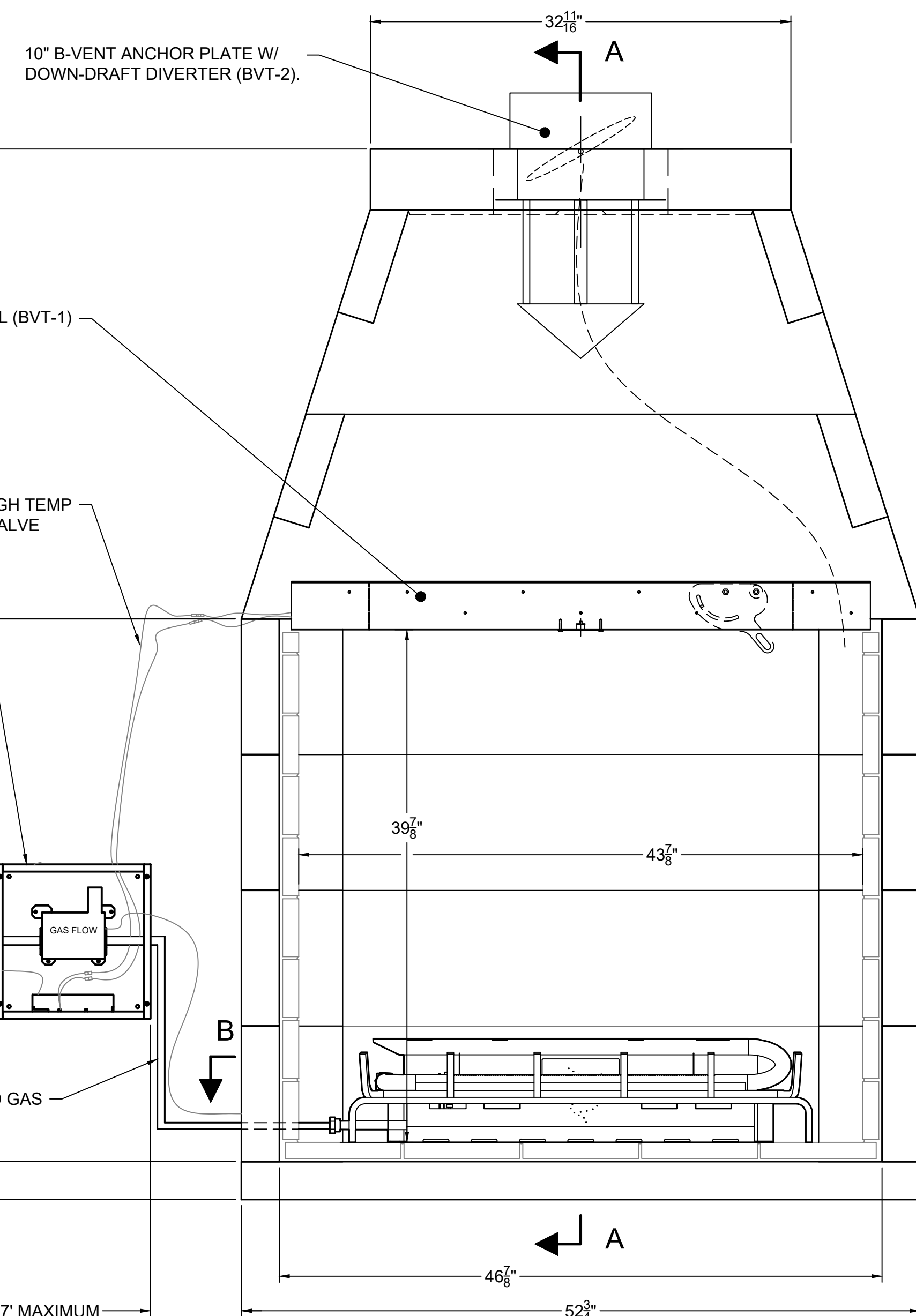
E-VKN/ E-VKP VALVE ENCLOSURE MUST BE MOUNTED WITHIN 7" OF SIDEWALL OF FIREBOX IN ACCESSIBLE LOCATION.

PROVIDE 120VAC AND 3/8" HARD-PIPED GAS SUPPLY

ISOKERN FIREBOX MAY BE INSTALLED ON COMBUSTIBLE FLOOR SYSTEM AS LONG AS ISOKERN BASEPLATE AND MINIMUM 1-1/8" THICK FIREBRICK ARE UTILIZED..

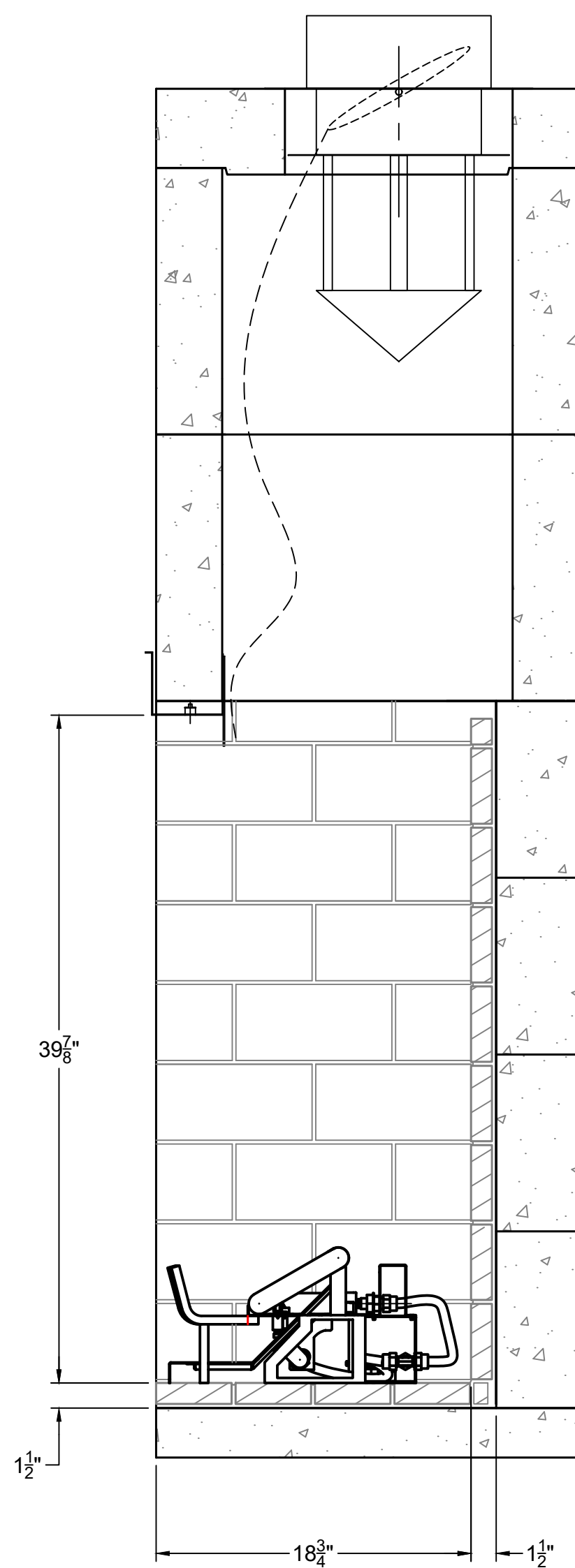
A NONCOMBUSTIBLE HEARTH EXTENSION IS REQUIRED AND SHALL EXTEND A MINIMUM OF 20" TO THE FRONT AND 12" TO THE SIDES OF FIREBOX'S FINISHED OPENING.

NOTE: IF ISOKERN FIREBOX AND NONCOMBUSTIBLE HEARTH EXTENSION ARE INSTALLED ON CONCRETE SLAB WITH NO COMBUSTIBLE UNDERPINNINGS, THE BASEPLATE MAY BE REMOVED FOR FLUSH HEARTH INSTALLATION.

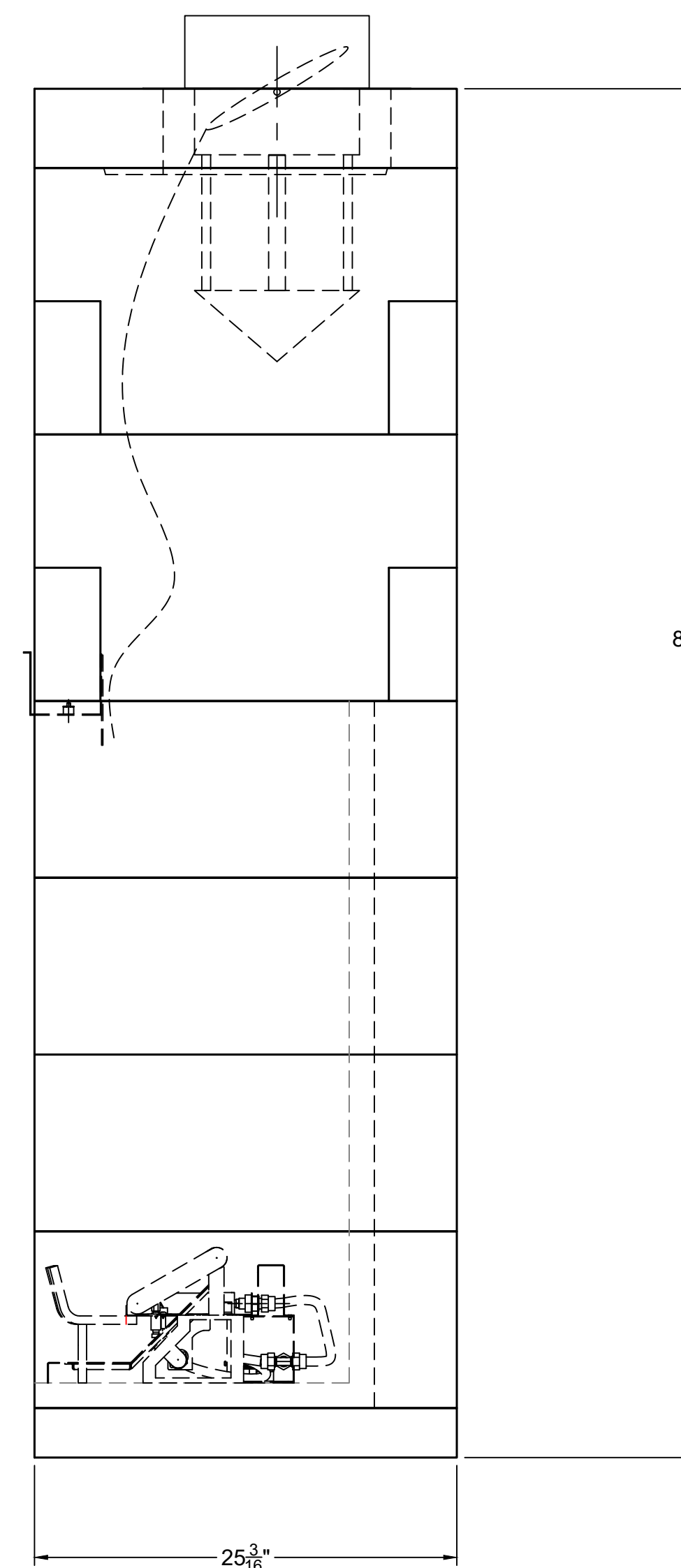


FRONT VIEW

BRICK NOT SHOWN ON REAR WALL IN THIS VIEW



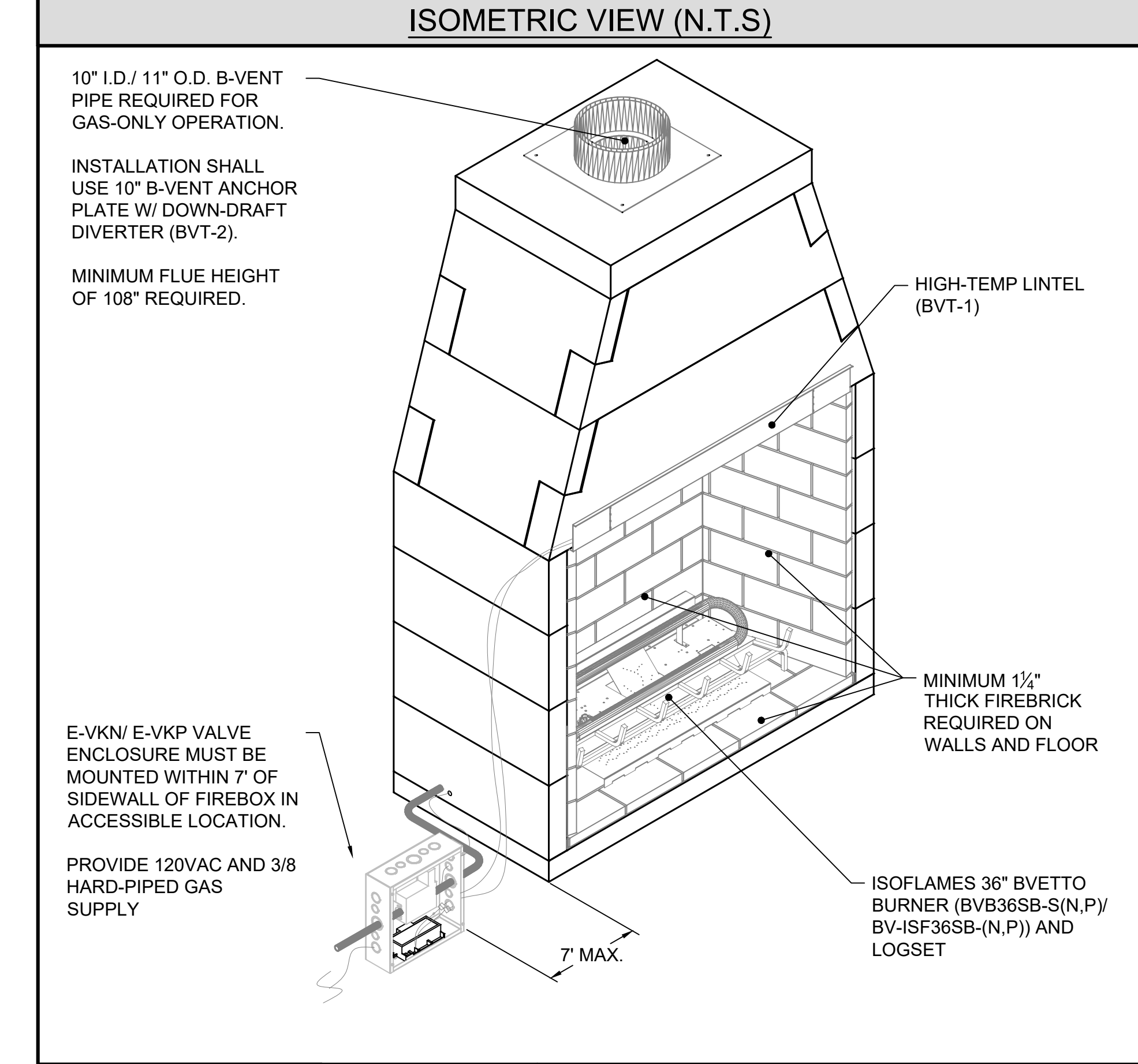
SECTION A-A



RIGHT-SIDE VIEW

COMPONENT LIST		
PART #	QTY.	DESCRIPTION
11	2	SMOKE DOME (MIDDLE)
13	2	SMOKE DOME (LARGE)
20	8	SIDEWALL
23	1	BASEPLATE-46" (STD)
31	4	BACKWALL-46" (STD)
34	4	TOP SLOPING
M77A	1	TOP PLATE W/345mm HOLE
BVT-1	1	HIGH TEMP LINTEL
BVT-2	1	10" B-VENT ANCHOR PLATE W/ DOWN DRAFT DIVERTER
BV36SB-S(N,P)/ BV-ISF36SB-(N,P)	1	ISOFLAMES 36" BVETTO BURNER AND LOGSET *SEE NOTE #2

- GENERAL NOTES**
- THE ISOKERN BVETTO MODELS ARE TOP-VENTED, GAS ONLY FIREPLACES THAT ARE LISTED FOR USE ONLY WITH THE ISOKERN GAS LOG APPLIANCE(S) AS LISTED IN THE BVETTO INSTALLATION MANUAL(S). THESE GAS APPLIANCES COME WITH A GAS CONTROL VALVE THAT INCLUDES AN AUTOMATIC SHUT-OFF SWITCH. THE GAS VALVE IS AVAILABLE IN A MILLIVOLT REMOTE CONTROL PILOT ASSEMBLY.
 - THE ISOKERN BVETTO FIREPLACE AS SHOWN IN THIS DRAWING UTILIZES THE ISOFLAMES BVETTO BURNER. FOR INFORMATION REGARDING THE INSTALLATION OF THE OTHER APPROVED BURNER OFFERINGS, CONTACT YOUR LOCAL ISOKERN SALES REPRESENTATIVE..
 - FIREPLACE SHALL BE INSTALLED WITH THE MINIMUM CLEARANCES TO COMBUSTIBLES AS LISTED BELOW:
 - SMOKE DOME FRONT: 0"
 - UNIT SIDES: 0"
 - UNIT REAR: 1.5"
 - COMBUSTIBLE SHEATHING ABOVE OPENING TOP: 8"
 - COMBUSTIBLE SHEATHING OR TRIM TO OPENING SIDES: 8"
 - MANTEL ABOVE OPENING: 12"
 - OPENING TO SIDEWALLS: 24"
 - HEARTH EXTENSION BEYOND FRONT: 20"
 - HEARTH EXTENSION BEYOND SIDES (FINISHED): 12"
 - COMBUSTIBLE FLOOR: 0" (MUST USE ISOKERN BASE PLATE AND MINIMUM 1-1/8" THICK FIREBRICK)
 - INSULATION FROM FIREBOX (UNSHIELDED): 3"
 - ISOKERN FIREBOX MAY BE INSTALLED ON COMBUSTIBLE FLOOR SYSTEM AS LONG AS ISOKERN BASEPLATE AND MINIMUM 1-1/8" THICK FIREBRICK ARE UTILIZED. A NONCOMBUSTIBLE HEARTH EXTENSION IS REQUIRED AND SHALL EXTEND A MINIMUM OF 20" TO THE FRONT AND 12" TO THE SIDES OF FIREBOX'S FINISHED OPENING.
 - NOTE: IF ISOKERN FIREBOX AND NONCOMBUSTIBLE HEARTH EXTENSION ARE INSTALLED ON CONCRETE SLAB WITH NO COMBUSTIBLE UNDERPINNINGS, THE BASEPLATE MAY BE REMOVED FOR FLUSH HEARTH INSTALLATION.
 - THE BVETTO'S EXHAUST FLUE GASES ARE TO BE VENTED THROUGH THE TOP OF THE UNIT WITH LISTED 10" B-VENT PIPING. THE ANCHOR PLATE WITH DOWN DRAFT DIVERTER (BVT-1) AND THE HIGH TEMP LINTEL (BVT-2) ARE REQUIRED TO BE INTERLOCKED WITH THE BURNER OPERATION & THE REQUIRED SAFETY SYSTEM.
 - NOTE: A TEN INCH (10") DIAMETER, DOUBLE WALL B-VENT SYSTEM WITH LISTED VENT CAP ARE NOT SUPPLIED BUT ARE REQUIRED FOR PROPER OPERATION OF ALL BVETTO MODELS, 36 AND 46.
 - INSTALL AND SUPPORT CLASS-B FLUE TO ALL MANUFACTURER SPECIFICATIONS. ENSURE MIN. 1" CLEARANCE TO COMBUSTIBLES IS KEPT AT ALL TIMES.
 - MINIMUM FLUE HEIGHT OF 108" IS REQUIRED, AS MEASURED FROM THE TOP PLATE OF THE UNIT. IF THIS CONDITION DOES NOT EXIST, MECHANICAL VENTILATION ASSISTANCE MAY BE REQUIRED.
 - THIS B-VENT FIREPLACE WILL CONSUME 466 CFM OF COMBUSTION AIR. IT IS THE HVAC CONTRACTOR'S RESPONSIBILITY TO ENSURE THIS MINIMUM AMOUNT OF MAKE UP AIR IS SUPPLIED TO THE ROOM IN WHICH THE FIREPLACE IS INSTALLED TO ENSURE SAFE OPERATION OF THE FIREPLACE AND ANY OTHER APPLIANCES IN THE RESIDENCE..
 - THE ISOFLAMES 36" BVETTO BURNER REQUIRES INSTALLATION OF REMOTE VALVE ENCLOSURE (E-VKN/ E-VKP). VALVE MUST BE INSTALLED WITHIN 7" OF SIDE OF FIREBOX. ENSURE 120 VAC AND 3/8" HARD-PIPED GAS SUPPLY ARE PROVIDED.
 - ALL ACCESSORIES/ EQUIPMENT INSTALLED WITH THIS FIREPLACE TO BE INSTALLED ACCORDING TO MANUFACTURER'S SPECIFICATIONS.
 - DRAWINGS ARE FOR DESIGN PURPOSES ONLY AND ARE THE SOLE PROPERTY OF EARTHORE INDUSTRIES. ANY REPRODUCTION OR UNAUTHORIZED USE IS STRICTLY PROHIBITED.
 - EARTHORE/ ISOKERN OR ANY DIVISION THEREOF SHALL NOT BE HELD LIABLE FOR ANY INCIDENTAL OR CONSEQUENTIAL DAMAGES OR EXPENSES ARISING OUT OF THE USE OF THE FIREPLACES OR CHIMNEY SYSTEMS.
 - ALWAYS CHECK LOCAL BUILDING CODES GOVERNING FIREPLACES AND FIREPLACE INSTALLATIONS.



earthcore INDUSTRIES, L.L.C.
6899 Phillips Industrial Blvd, Jacksonville, FL 32256

UNLESS OTHERWISE STATED, ALL DIMENSIONS ARE IN MILLIMETERS

PROJECT: **46" BVETTO SERIES (4 BLK)**

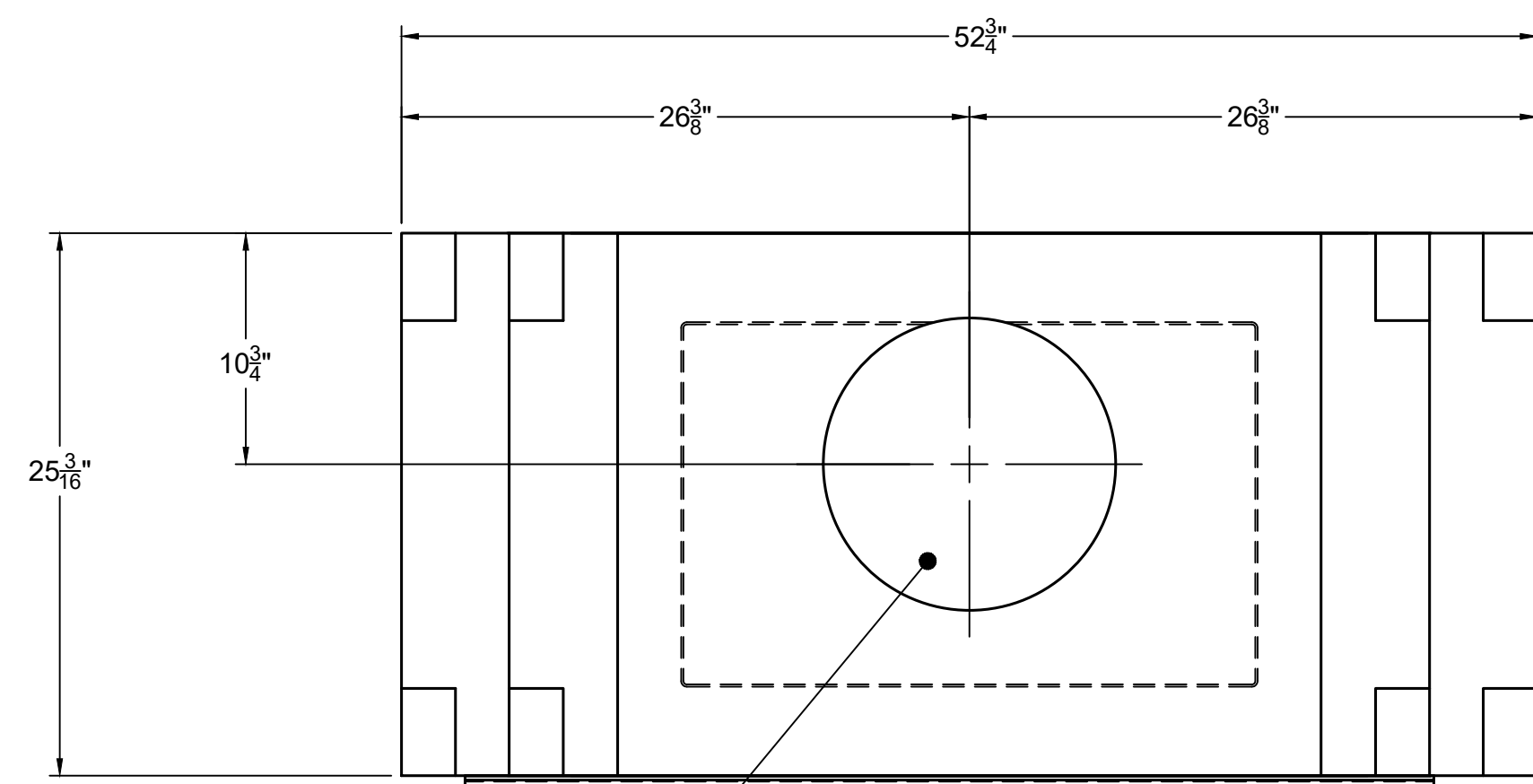
DESCRIPTION: **FIREPLACE CONSTRUCTION DOCUMENT**

MATERIAL: **E.C. PUMICE MIXTURE**

DRAWN: **K.B.H.** DATE: **6/1/2023** SIZE: **D** SCALE: **1"=1'-0"** DRAWING #: **80B46** REV: **A**

APPROVED: _____ DATE: _____

DO NOT SCALE SHEET # 2 OF 4

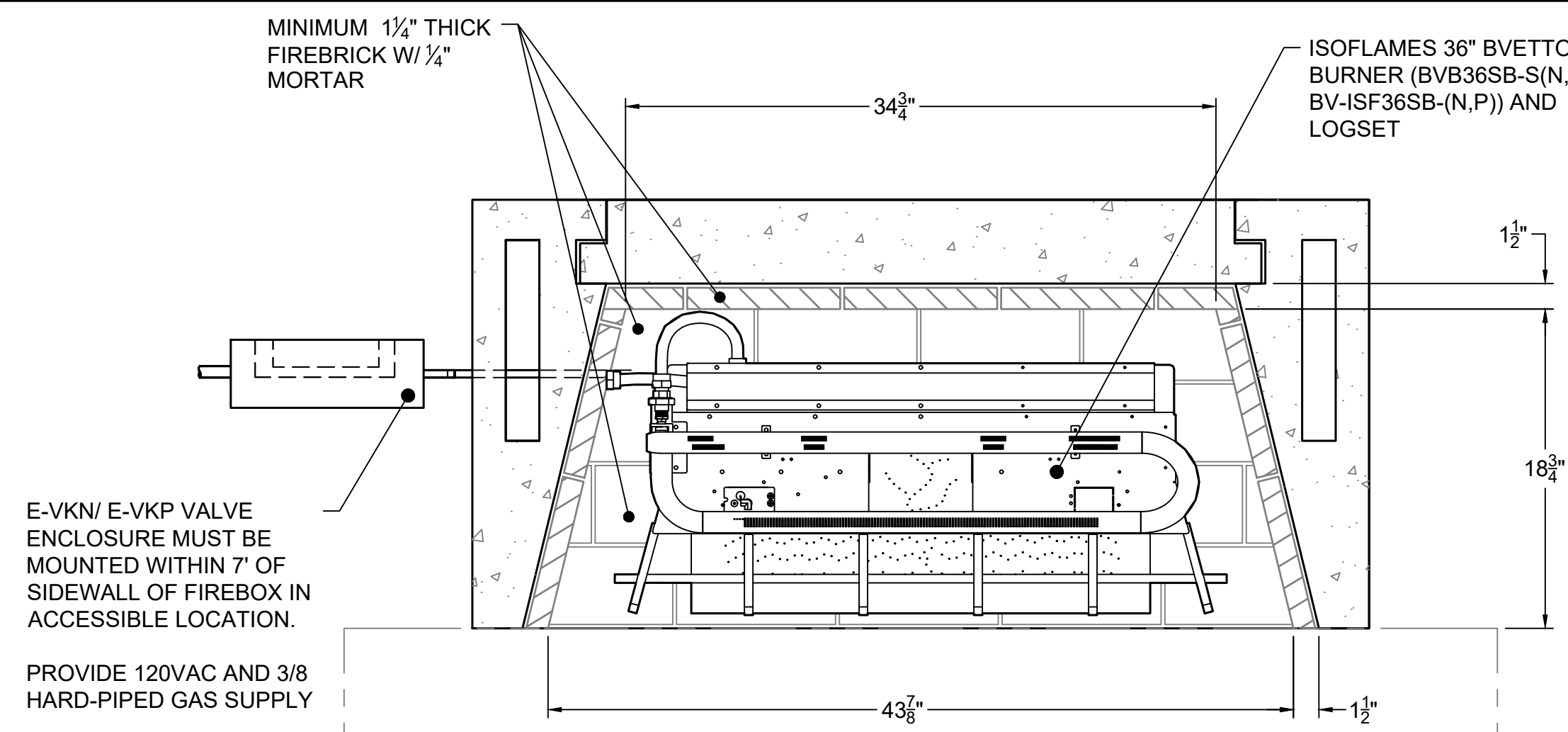


TOP VIEW

10" I.D./ 11" O.D. B-VENT PIPE REQUIRED FOR GAS-ONLY OPERATION.

INSTALLATION SHALL USE 10" B-VENT ANCHOR PLATE W/ DOWN-DRAFT DIVERTER (BVT-2).

MINIMUM FLUE HEIGHT OF 144" REQUIRED.



E-VKN/ E-VKP VALVE ENCLOSURE MUST BE MOUNTED WITHIN 7" OF SIDEWALL OF FIREBOX IN ACCESSIBLE LOCATION.

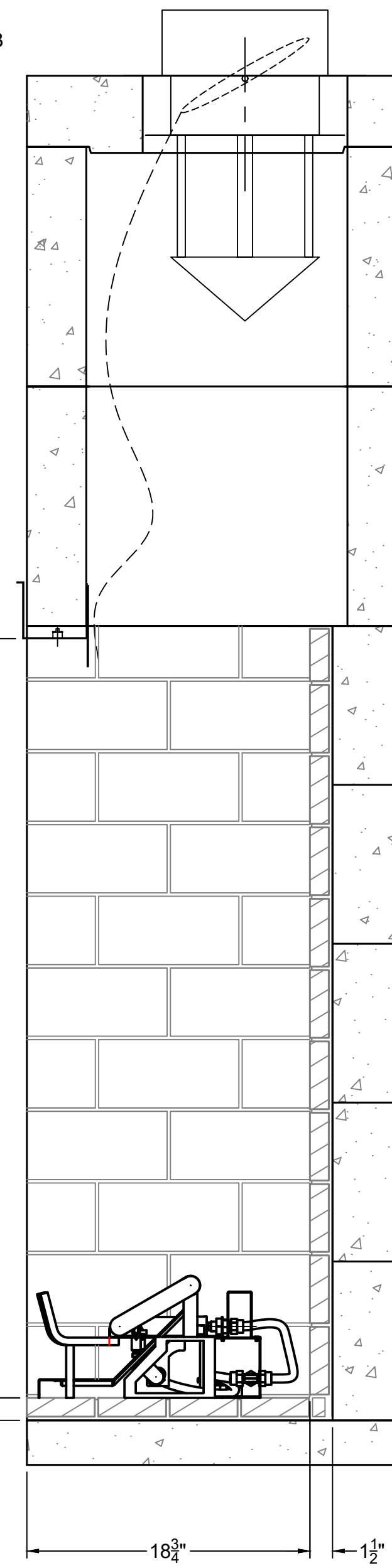
PROVIDE 120VAC AND 3/8 HARD-PIPED GAS SUPPLY

ISOKERN FIREBOX MAY BE INSTALLED ON COMBUSTIBLE FLOOR SYSTEM AS LONG AS ISOKERN BASEPLATE AND MINIMUM 1-1/8" THICK FIREBRICK ARE UTILIZED..

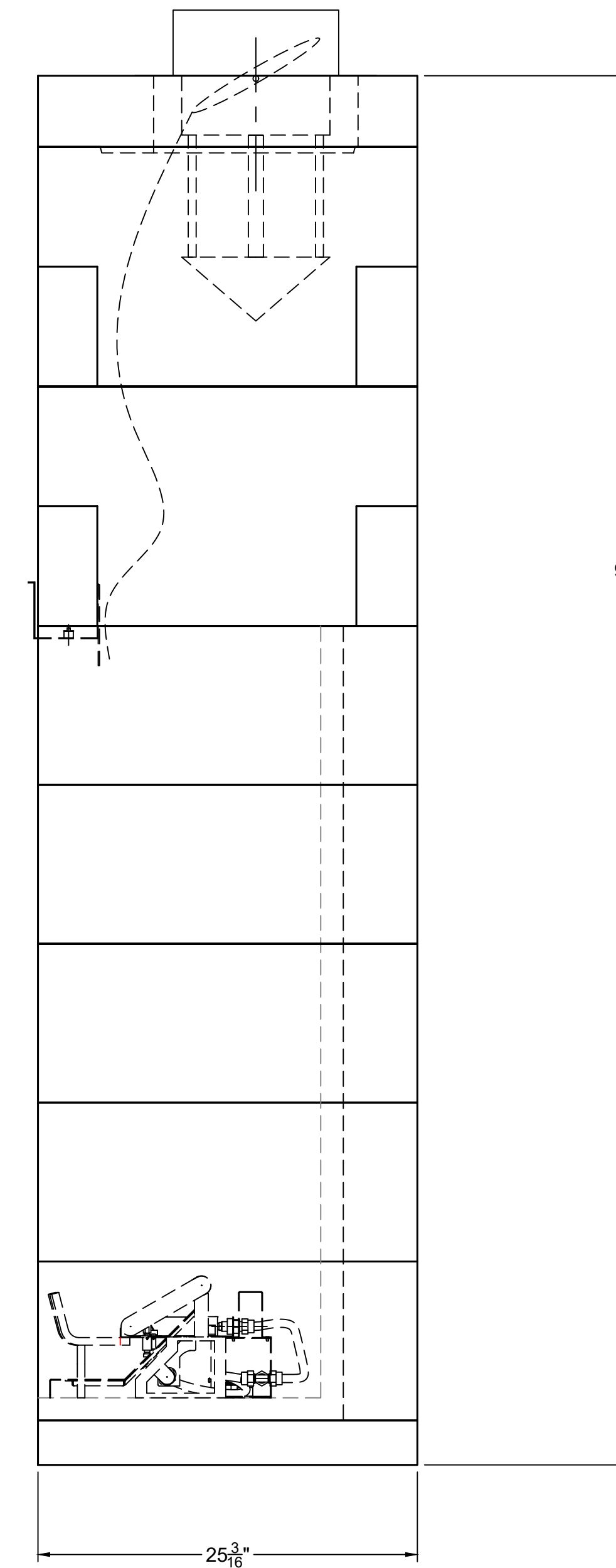
A NONCOMBUSTIBLE HEARTH EXTENSION IS REQUIRED AND SHALL EXTEND A MINIMUM OF 20" TO THE FRONT AND 12" TO THE SIDES OF FIREBOX'S FINISHED OPENING.

NOTE: IF ISOKERN FIREBOX AND NONCOMBUSTIBLE HEARTH EXTENSION ARE INSTALLED ON CONCRETE SLAB WITH NO COMBUSTIBLE UNDERPINNINGS, THE BASEPLATE MAY BE REMOVED FOR FLUSH HEARTH INSTALLATION.

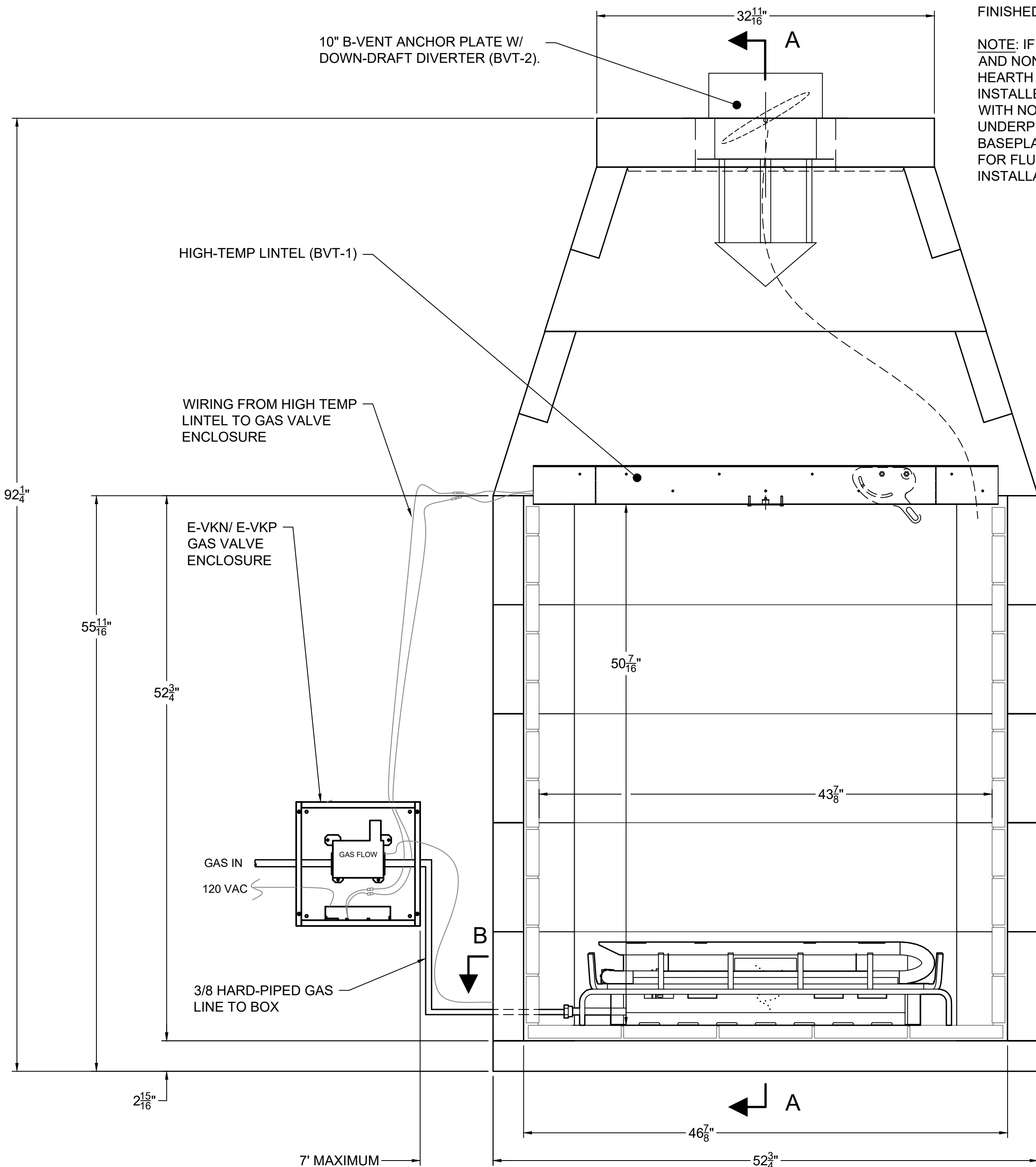
SECTION B-B



SECTION A-A



RIGHT-SIDE VIEW

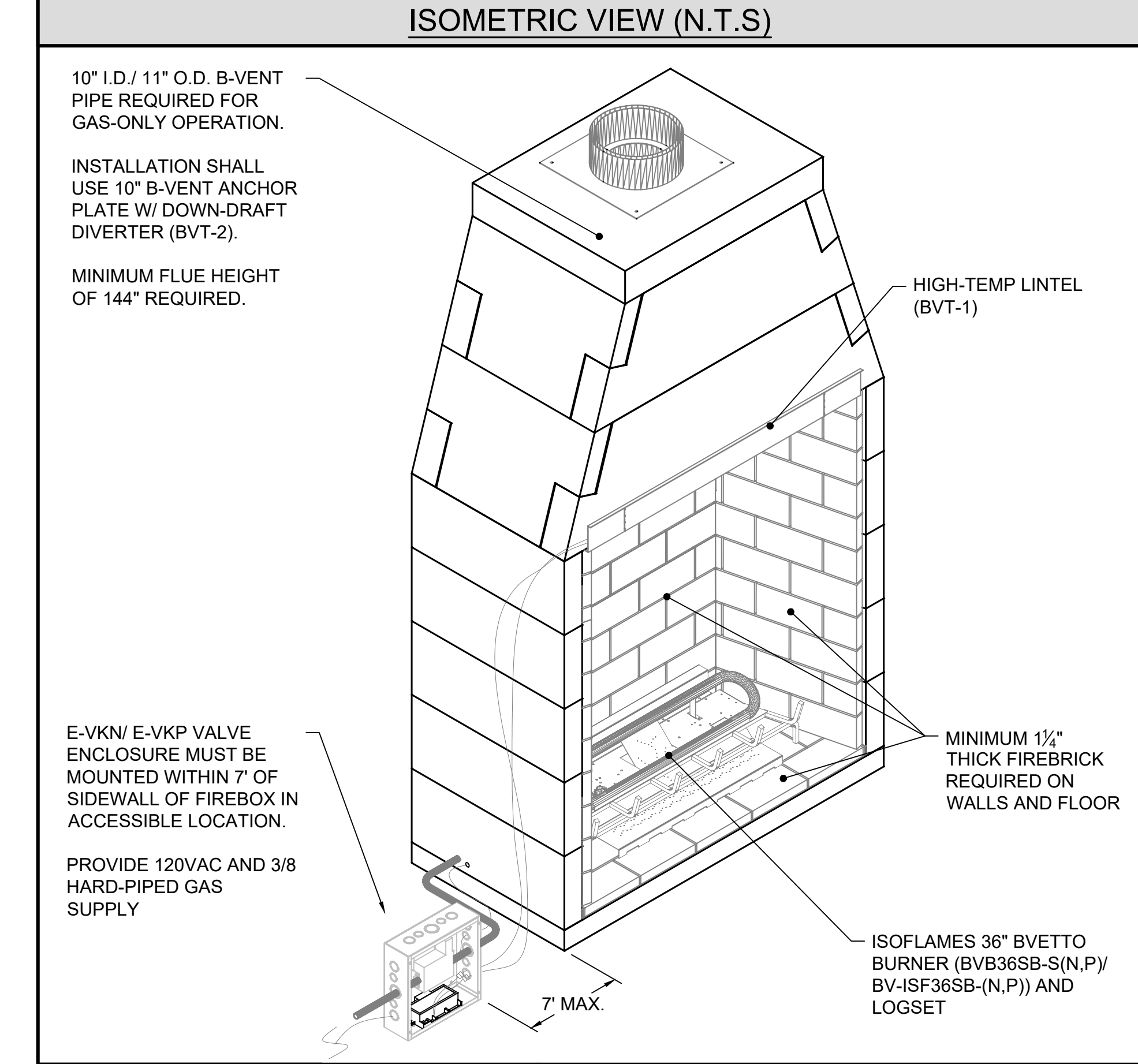


FRONT VIEW

BRICK NOT SHOWN ON REAR WALL IN THIS VIEW

COMPONENT LIST		
PART #	QTY.	DESCRIPTION
11	2	SMOKE DOME (MIDDLE)
13	2	SMOKE DOME (LARGE)
20	10	SIDEWALL
23	1	BASEPLATE-46" (STD)
31	5	BACKWALL-46" (STD)
34	4	TOP SLOPING
M77A	1	TOP PLATE W/345mm HOLE
BVT-1	1	HIGH TEMP LINTEL
BVT-2	1	10" B-VENT ANCHOR PLATE W/ DOWN DRAFT DIVERTER
BVB36SB-S(N,P)/ BV-ISF36SB-(N,P)	1	ISOFLAMES 36" BVETTO BURNER AND LOGSET *SEE NOTE #2

- GENERAL NOTES**
- THE ISOKERN BVETTO MODELS ARE TOP-VENTED, GAS ONLY FIREPLACES THAT ARE LISTED FOR USE ONLY WITH THE ISOKERN GAS LOG APPLIANCE(S) AS LISTED IN THE BVETTO INSTALLATION MANUAL(S). THESE GAS APPLIANCES COME WITH A GAS CONTROL VALVE THAT INCLUDES AN AUTOMATIC SHUT-OFF SWITCH. THE GAS VALVE IS AVAILABLE IN A MILLIVOLT REMOTE CONTROL PILOT ASSEMBLY.
 - THE ISOKERN BVETTO FIREPLACE AS SHOWN IN THIS DRAWING UTILIZES THE ISOFLAMES BVETTO BURNER. FOR INFORMATION REGARDING THE INSTALLATION OF THE OTHER APPROVED BURNER OFFERINGS, CONTACT YOUR LOCAL ISOKERN SALES REPRESENTATIVE.
 - FIREPLACE SHALL BE INSTALLED WITH THE MINIMUM CLEARANCES TO COMBUSTIBLES AS LISTED BELOW:
 - SMOKE DOME FRONT: 0"
 - UNIT SIDES: 0"
 - UNIT REAR: 1.5"
 - COMBUSTIBLE SHEATHING ABOVE OPENING TOP: 8"
 - COMBUSTIBLE SHEATHING OR TRIM TO OPENING SIDES: 8"
 - MANTLE ABOVE OPENING: 12"
 - OPENING TO SIDEWALLS: 24"
 - HEARTH EXTENSION BEYOND FRONT: 20"
 - HEARTH EXTENSION BEYOND SIDES (FINISHED): 12"
 - COMBUSTIBLE FLOOR: 0" (MUST USE ISOKERN BASE PLATE AND MINIMUM 1-1/8" THICK FIREBRICK)
 - INSULATION FROM FIREBOX (UNSHIELDED): 3"
 - ISOKERN FIREBOX MAY BE INSTALLED ON COMBUSTIBLE FLOOR SYSTEM AS LONG AS ISOKERN BASEPLATE AND MINIMUM 1-1/8" THICK FIREBRICK ARE UTILIZED. A NONCOMBUSTIBLE HEARTH EXTENSION IS REQUIRED AND SHALL EXTEND A MINIMUM OF 20" TO THE FRONT AND 12" TO THE SIDES OF FIREBOX'S FINISHED OPENING.
 - NOTE: IF ISOKERN FIREBOX AND NONCOMBUSTIBLE HEARTH EXTENSION ARE INSTALLED ON CONCRETE SLAB WITH NO COMBUSTIBLE UNDERPINNINGS, THE BASEPLATE MAY BE REMOVED FOR FLUSH HEARTH INSTALLATION.
 - THE BVETTO'S EXHAUST FLUE GASES ARE TO BE VENTED THROUGH THE TOP OF THE UNIT WITH LISTED 10" B-VENT PIPING. THE ANCHOR PLATE WITH DOWN DRAFT DIVERTER (BVT-1) AND THE HIGH TEMP LINTEL (BVT-2) ARE REQUIRED TO BE INTERLOCKED WITH THE BURNER OPERATION AS THE REQUIRED SAFETY SYSTEM.
 - NOTE: A TEN INCH (10") DIAMETER, DOUBLE WALL B-VENT SYSTEM WITH LISTED VENT CAP ARE NOT SUPPLIED BUT ARE REQUIRED FOR PROPER OPERATION OF ALL BVETTO MODELS, 36 AND 46.
 - INSTALL AND SUPPORT CLASS-B FLUE TO ALL MANUFACTURER SPECIFICATIONS. ENSURE MIN. 1" CLEARANCE TO COMBUSTIBLES IS KEPT AT ALL TIMES.
 - MINIMUM FLUE HEIGHT OF 144" IS REQUIRED, AS MEASURED FROM THE TOP PLATE OF THE UNIT. IF THIS CONDITION DOES NOT EXIST, MECHANICAL VENTILATION ASSISTANCE MAY BE REQUIRED.
 - THIS B-VENT FIREPLACE WILL CONSUME 587 CFM OF COMBUSTION AIR. IT IS THE HVAC CONTRACTOR'S RESPONSIBILITY TO ENSURE THIS MINIMUM AMOUNT OF MAKE UP AIR IS SUPPLIED TO THE ROOM IN WHICH THE FIREPLACE IS INSTALLED TO ENSURE SAFE OPERATION OF THE FIREPLACE AND ANY OTHER APPLIANCES IN THE RESIDENCE..
 - THE ISOFLAMES 36" BVETTO BURNER REQUIRES INSTALLATION OF REMOTE VALVE ENCLOSURE (E-VKN/ E-VKP). VALVE MUST BE INSTALLED WITHIN 7" OF SIDE OF FIREBOX. ENSURE 120 VAC AND 3/8" HARD-PIPED GAS SUPPLY ARE PROVIDED.
 - ALL ACCESSORIES/ EQUIPMENT INSTALLED WITH THIS FIREPLACE TO BE INSTALLED ACCORDING TO MANUFACTURER'S SPECIFICATIONS.
 - DRAWINGS ARE FOR DESIGN PURPOSES ONLY AND ARE THE SOLE PROPERTY OF EARTHCORE INDUSTRIES. ANY REPRODUCTION OR UNAUTHORIZED USE IS STRICTLY PROHIBITED.
 - EARTHCORE/ ISOKERN OR ANY DIVISION THEREOF SHALL NOT BE HELD LIABLE FOR ANY INCIDENTAL OR CONSEQUENTIAL DAMAGES OR EXPENSES ARISING OUT OF THE USE OF THE FIREPLACES OR CHIMNEY SYSTEMS.
 - ALWAYS CHECK LOCAL BUILDING CODES GOVERNING FIREPLACES AND FIREPLACE INSTALLATIONS.



earthcore INDUSTRIES, L.L.C.

UNLESS OTHERWISE STATED, ALL DIMENSIONS ARE IN MILLIMETERS

PROJECT: **46" BVETTO SERIES (5 BLK)**

DESCRIPTION: **FIREPLACE CONSTRUCTION DOCUMENT**

MATERIAL: **E.C. PUMICE MIXTURE**

ANG: X ±

THIRD ANGLE PROJECTION

6899 Phillips Industrial Blvd Jacksonville, FL 32256

DRAWN: **K.B.H.**

DATE: **6/1/2023**

SCALE: **1"=1'-0"**

DRAWING #: **80B46**

REV: **A**

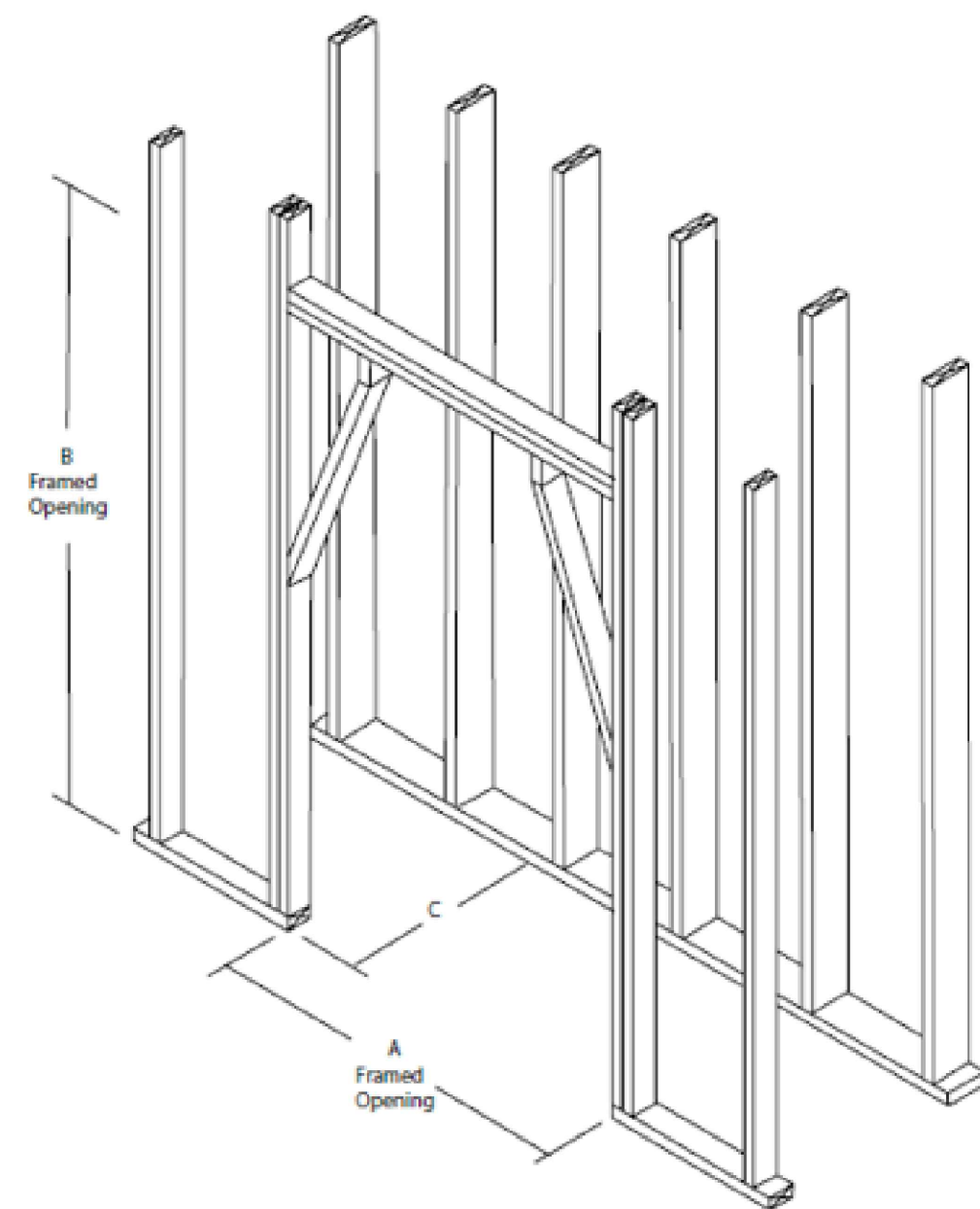
APPROVED: _____

DATE: _____

DO NOT SCALE

SHEET # **3** OF **4**

Rough Framing Dimensions

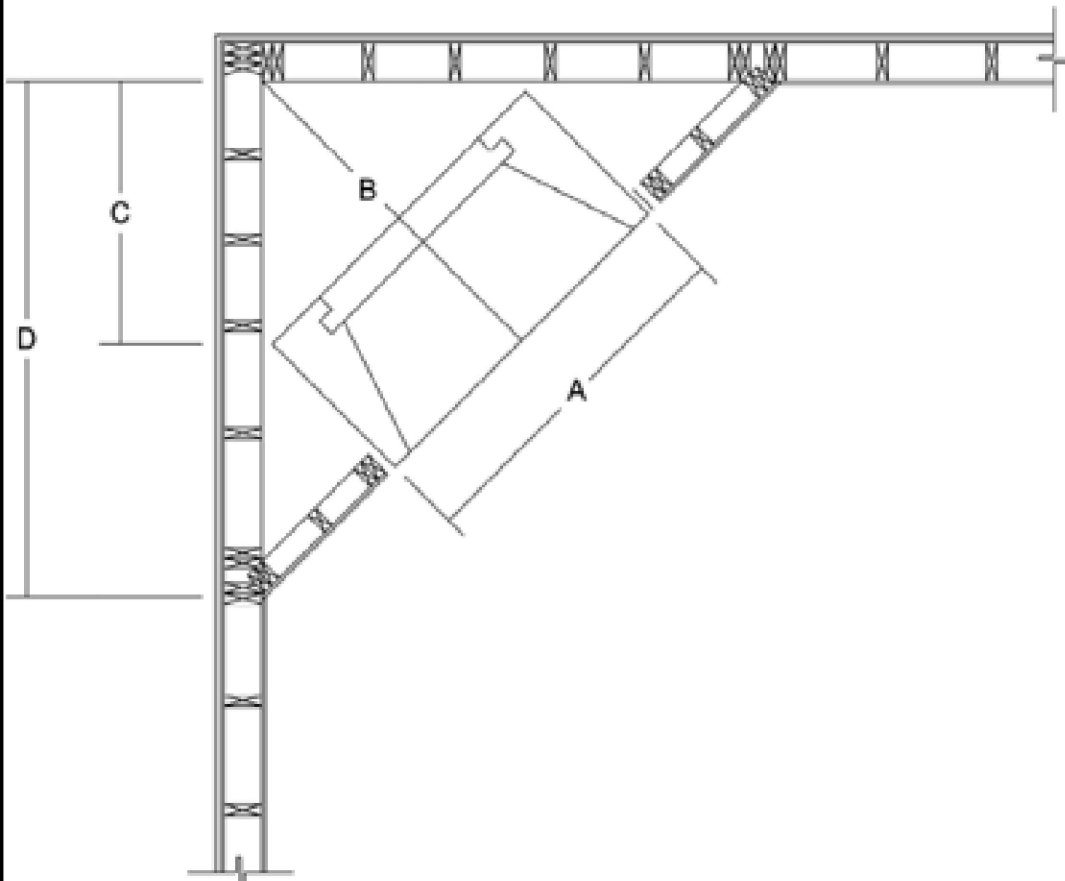


Typical Installation Framing Dimensions

BVETTO	Width A	Height B	Depth C
Model 36	44"	72", 83", 93"	26 3/4"
Model 46	54"	72", 83", 93"	26 3/4"

Notes:

- "B" includes the 3" thick base plate.
- "Raised hearth" requires additional rough opening height at "B" equal to the height of the raised hearth detail.
- Rough framing dimension for width "A" allows for the 1/2" for each side to build fireplace in the space. There is 0" required clearance at the sides of the Fireplace.
- Rough framing dimension for depth "C" allows for the required 1-1/2" clearance at the back of the Fireplace.
- Opening height of 83" requires minimum 9' flue; 93" height requires minimum 12' flue.



Corner Installation Framing Dimensions

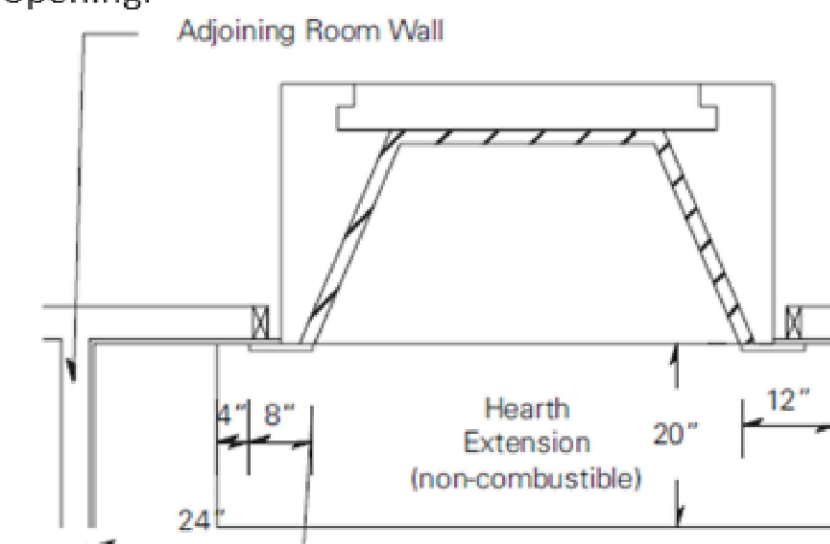
BVETTO	A	B	C	D
Model 36	44"	49"	32"	70"
Model 46	54"	59"	39"	77"

Note: The following chart of plan dimensions is intended to aid in the positioning of an BVETTO in a corner condition.

Clearance to Combustible Trim

Adjoining Walls:

Side walls and walls to rooms adjoining the Isokern fireplace installation cannot be closer than twenty-four inches (24") to the finished fireplace opening.



Ceilings:

The minimum clearance from the top of the fireplace opening to a ceiling is forty-two inches (42").

Mantel and Mantel Shelf Clearances:

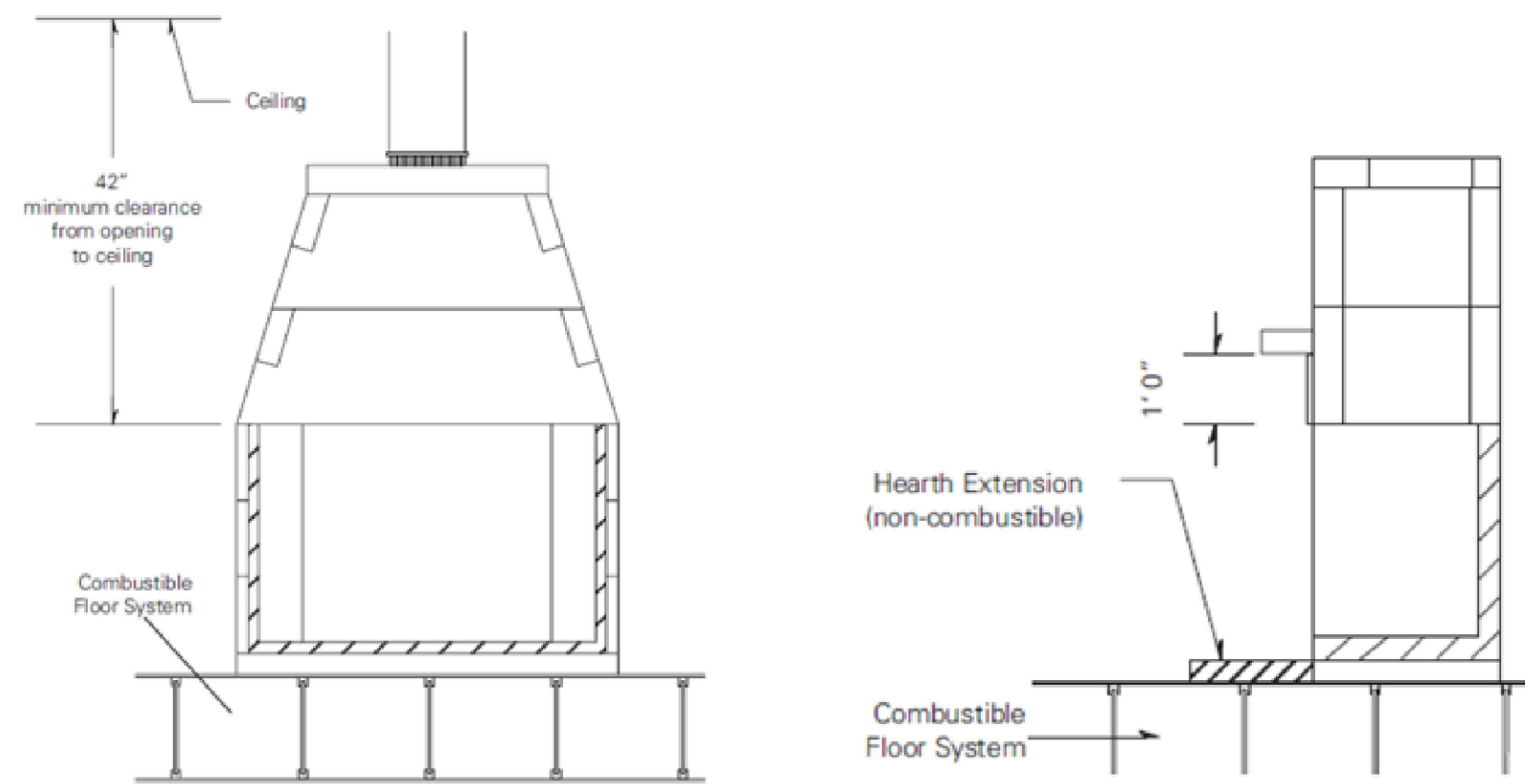
All combustible trim projecting less than one and one-half inch (1-1/2") must be kept eight inches (8") from the sides of the fireplace opening. All combustible trim projecting more than one and one-half inch (1-1/2") must be kept twelve inches (12") from the fireplace opening.

Parts of the combustible mantel assembly located along the sides of the fireplace opening, which project more than one and one-half inches (1-1/2") from the face of the fireplace, shall have additional clearance equal to that of the projection.

Parts of the combustible mantel assembly located above and projecting more than one and one-half inches (1-1/2") from the fireplace opening shall not be placed less than twelve inches (12") from the top of the fireplace opening.

NOTE: "Clearance to Combustible Trim" are those distances required to ensure that a fireplace mantel or facing will not catch fire. In most cases the distances should also be adequate to prevent any discoloration or warping due to heat. However, each installation presents a unique and completely different set of circumstances involving many variables.

These include paint or finish composition, previous exposure to heat, methods and quality of construction, air flow patterns, etc. Because of these variables, the manufacturer does not guarantee that heat warping or discoloration will never occur.



ISOKERN BVETTO B-VENT GAS FIREPLACE: MODELS 80B36 AND 80B46



LISTED VENTED GAS FIREPLACE PER USA: ANSI Z21.50 - 2019
AND CANADIAN: CSA 2.22-2019



IBV MODEL #
 80B36 80B46

SERIAL NO: B000001

NOT FOR USE WITH SOLID FUEL

SUITABLE FOR USE WITH PROPANE (LP) OR NATURAL GAS. SEE GAS IDENTIFYING TAG ON BURNER

- IBV36 MODEL # 80B36 PROPANE (LP) BTU MIN: 22,000; BTU MAX: 50,000
- IBV36 MODEL # 80B36 NATURAL GAS (NG) BTU MIN: 21,000; BTU MAX: 65,000
- IBV46 MODEL # 80B46 PROPANE (LP) BTU MIN: 23,000; BTU MAX: 60,000
- IBV46 MODEL # 80B46 NATURAL GAS (NG) BTU MIN: 22,000; BTU MAX: 75,000

*See Burner Rating Plate For Additional Information

See Installation and Operating Instructions For This Model and ICC # ESR - 4873

MANIFOLD PRESSURE: PROPANE (LP): 10" WATER COLUMN; NATURAL GAS: 3.5" WATER COLUMN

MINIMUM PERMISSIBLE GAS SUPPLY PRESSURE FOR PURPOSE OF INPUT ADJUSTMENT: PROPANE (LP): 11" WATER COLUMN / NATURAL GAS: 5" WATER COLUMN

ELECTRICAL RATING:

UNIT: ELECTRONIC

1 PH

60 HZ

120 VOLTS

LESS THAN 5 AMPS

CLEARANCE TO COMBUSTIBLES:

SMOKE DOME FRONT AND UNIT SIDES	= 0in.	
UNIT REAR	= 1.5in.	60mm
COMBUSTIBLE SHEATHING ABOVE OPENING	= 8in.	205mm
TOP SHEATHING OR TRIM TO OPENING SIDES	= 8in.	205mm
MANTEL ABOVE OPENING	= 12in.	305mm
INSULATION FROM FIREBOX	= 3in.	75mm

"CAUTION: THIS APPLIANCE IS ONLY FOR USE WITH THE TYPE OF GAS INDICATED ON THE BURNER RATING PLATE. THIS APPLIANCE IS NOT CONVERTIBLE FOR USE WITH OTHER GASES"

This appliance must be installed in accordance with local codes, if any, if none, follow the current ANSI Z223.0/NFPA 54 or CSA B149.1

MADE IN USA
CHESAPEAKE, VA 23323

EARTH CORE INDUSTRIES HEADQUARTERS
JACKSONVILLE, FL 32256

Isoflames BVETTO Burner - Specifications

Fireplace Model	Burner Model	BTU			
		Nat. Gas		L.P. Gas	
		High	Low	High	Low
80B36	BVB24SB-S(N,P) / BV-ISF24SB-(N,P)	62K	44K	56K	44K
80B46	BVB36SB-S(N,P) / BV-ISF36SB-(N,P)	85K	51K	81K	61K

FOR INFORMATION REGARDING THE INSTALLATION OF THE OTHER APPROVED BURNER OFFERINGS, CONTACT YOUR LOCAL ISOKERN SALES REPRESENTATIVE

SCAN QR CODE FOR LATEST
INSTALLATION MANUALS



Bvetto Series

Model	Opening Height (in)	Consumption	Air Flow (CFM)
80B36	30		272
80B36	40		365
80B36	50		459
80B46	30		348
80B46	40		466
80B46	50		587

Bvetto Series (Gas Only) Specifications

MANUFACTURER:

ISOKERN Fireplace and Chimney Systems, North America distribution by Earthcore Industries, LLC, Jacksonville, Florida (Telephone 800-642-2920)

PRODUCT DESCRIPTION:

Modular refractory masonry precast gas-only fireplace with B-vent chimney and BVETTO burner.

- Fireplace designed for field assembly with all interlocking parts necessary for assembly of a complete firebox and smoke dome.
- B-vent chimney system for gas-only operation (not provided, but required).
- BVETTO burner as listed in manual
- BVT-1 and BVT-2 safety system

MATERIALS:

- Light weight concrete of a proprietary mixture of Icelandic volcanic aggregate and aluminum cement for precast firebox.
 - Compressive Strength: Firebox Block: 972 psi.
- Premixed (dry) EARTHCORE ADHESIVE.
 - Tensile strength: 807 psi; Compressive strength: 2460 psi.
 - Tested per ASTM C109, ASTM C307, and ANSI 118.4.
- Standard 1 1/8" high temperature refractory brick to line firebox interior.

INSTALLATION:

- Reference manufacturer's installation instructions for standard configurations, weights, sizes and installation details.
- Suitable masonry foundation or structural wood floor system must be provided.
- Unit to be assembled on site per manufacturer's illustrated instructions.
 - Premixed EARTHCORE ADHESIVE is used at all joints between components.
 - Firebox to be lined with a minimum 1-1/8" rated firebrick.
- Firebox unit listed for "zero clearance" to un-insulated wood framing members to the front and sides
- A 1-1/2" minimum clearance to combustible materials is required for firebox back-wall
- A 1-1/2" minimum clearance to combustible materials is recommended.
- A 3" minimum clearance to insulation required.

CERTIFICATION:

- PFS Corporation, PFS Report No. F09-79
- Meets or exceeds ANSI Z 21.50-2014, CSA 2.22-2014

CODE COMPLIANCE:

- ICC NO. ESR 2316
- LARR# 25483
- MEA NYC 241-90-E

NOTE: Isokern components are a natural material and slight variations in dimensions may occur. These should be no more than 1/8".

earthcore INDUSTRIES, L.L.C.		UNLESS OTHERWISE STATED, ALL DIMENSIONS ARE IN MILLIMETERS		THIRD ANGLE PROJECTION		PROJECT: BVETTO SERIES	
UNSPECIFIED TOLERANCES:	ANG	X	±	DESCRIPTION: GENERAL INFORMATION AND SPECIFICATIONS		MATERIAL: E.C. PUMICE MIXTURE	SCALE: N.T.S.
LIN	X	±		DRAWN: K.B.H.		DATE: 6/1/2023	DRAWING #: 80B46
XX	X	±		APPROVED:		DATE:	REV: A
8889 Philips Industrial Blvd. Jacksonville, FL 32256		DO NOT SCALE		SHEET # 4		OF 4	