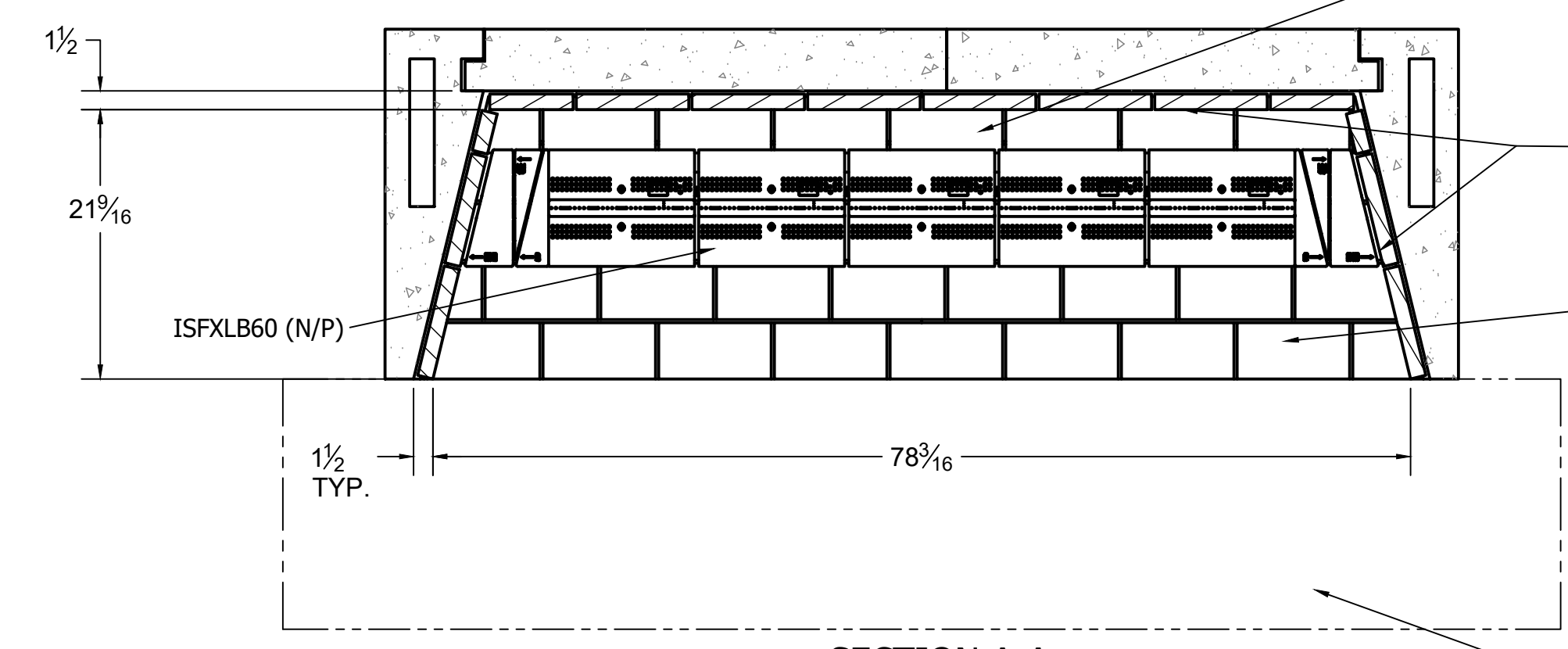


TOP

12" B-VENT PIPE W/ DOWN-DRAFT DIVERTER; X-VENTISO-MERIDIAN FAN SYSTEM REQUIRED.

FRAME OPENINGS TO 15"x15" CLEAR TO MAINTAIN MIN. 1" CLEARANCE TO COMBUSTIBLES



SECTION A-A

ONE ROW OF "FULL" 2-1/2" THICK FIREBRICK LAID ON TOP OF FIRST CONTINUOUS LAYER OF "SPLIT" 1-1/2" THICK FIREBRICK TO CREATE BURNER CAVITY.

BEGIN COURSING 1/2" FROM REAR WALL OF UNIT.

"SPLIT" 1-1/4" THICK FIREBRICK REQUIRED ON WALLS OF FIREBOX

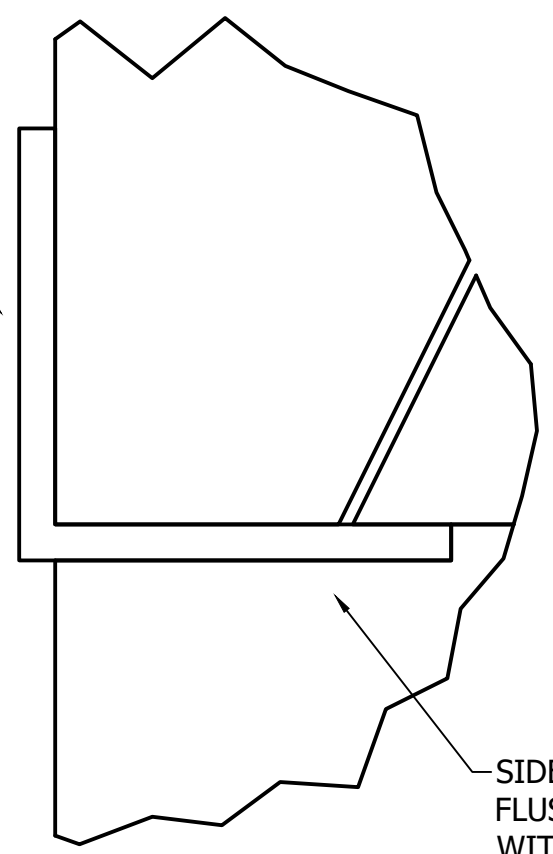
TWO ROWS OF "FULL" 2-1/2" THICK FIREBRICK LAID ON TOP OF FIRST CONTINUOUS LAYER OF "SPLIT" 1-1/2" THICK FIREBRICK TO CREATE BURNER CAVITY.

BEGIN COURSING AT FRONT EDGE OF BASE PLATE.

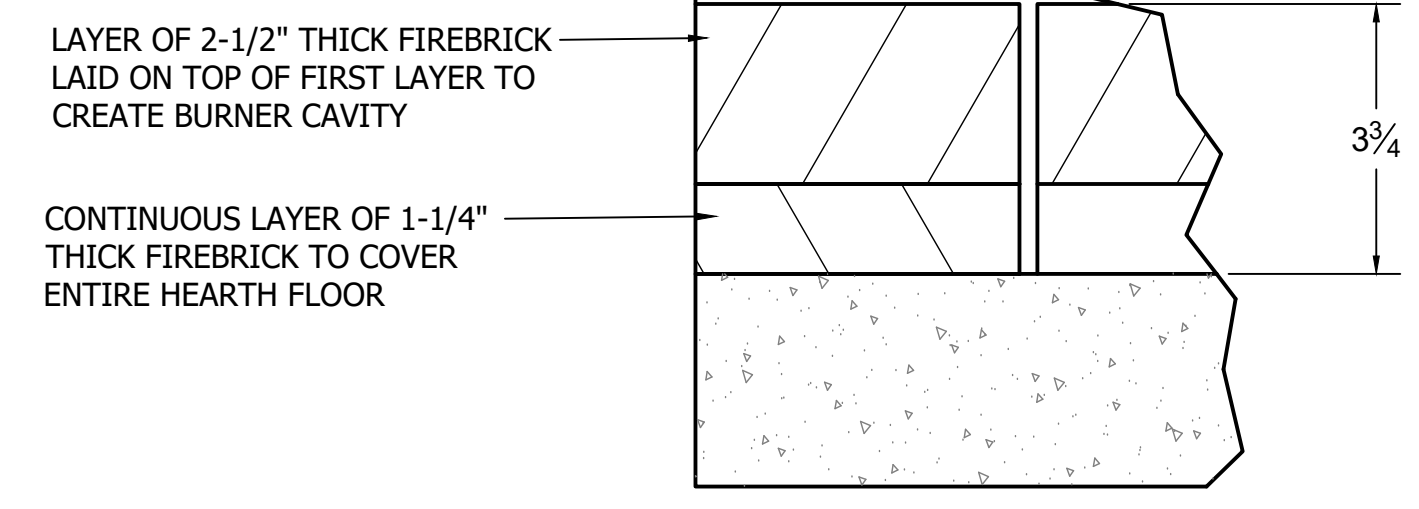
THE REQUIRED HEARTH EXTENSION SHALL EXTEND A MINIMUM OF 20" TO THE FRONT AND 12" TO THE SIDES OF FIREBOX'S FINISHED OPENING.

6" X 6" 1/2" STEEL ANGLE; 86" LONG REQUIRED.

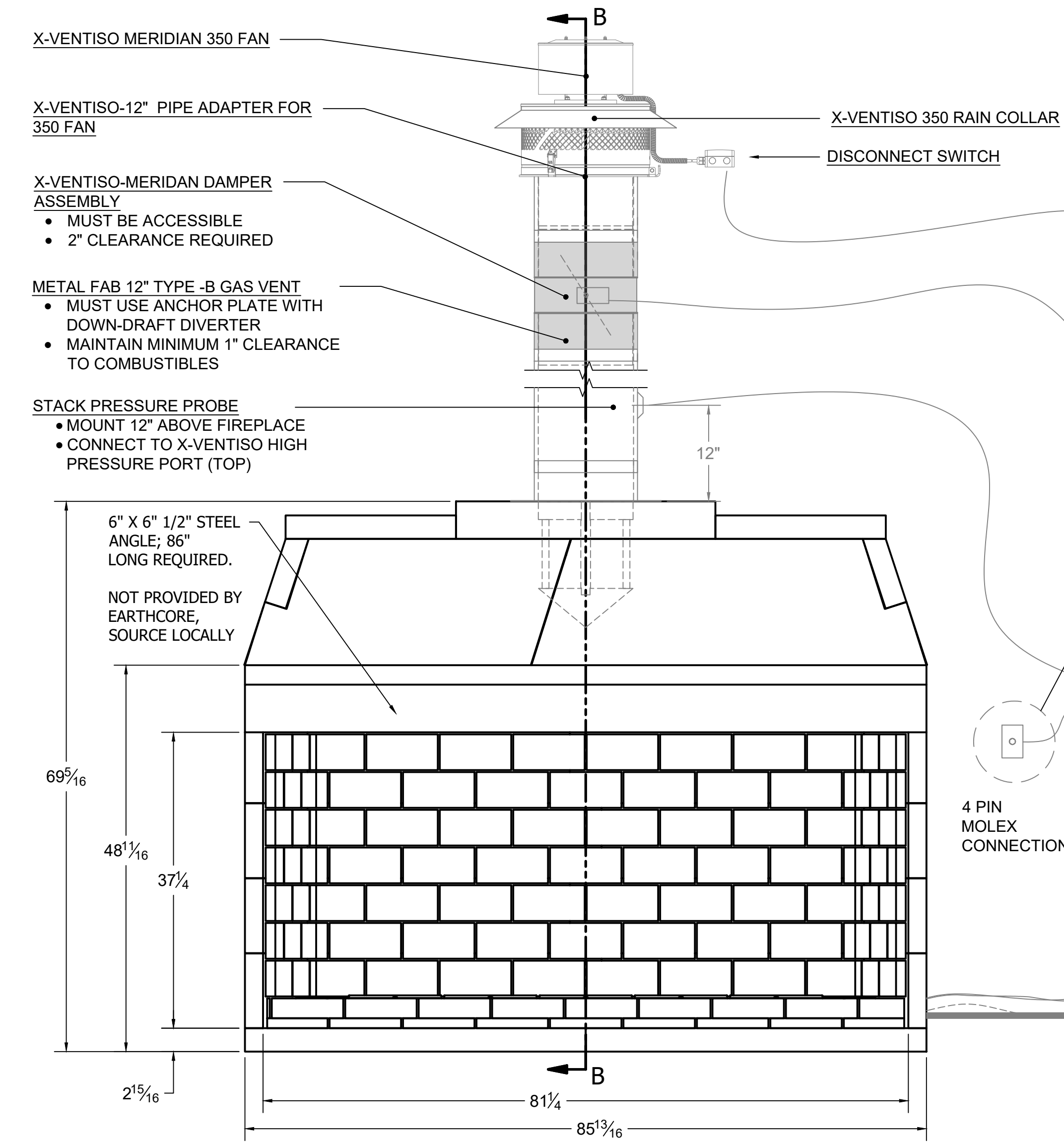
NOT PROVIDED BY EARTHCORE, SOURCE LOCALLY



DETAIL A SCALE .375



DETAIL B SCALE .375



FRONT

X-VENTISO MERIDIAN 350 FAN

X-VENTISO-12" PIPE ADAPTER FOR 350 FAN

X-VENTISO-MERIDIAN DAMPER ASSEMBLY

- MUST BE ACCESSIBLE
- 2" CLEARANCE REQUIRED

METAL FAB 12" TYPE -B GAS VENT

- MUST USE ANCHOR PLATE WITH DOWN-DRAFT DIVERTER
- MAINTAIN MINIMUM 1" CLEARANCE TO COMBUSTIBLES

STACK PRESSURE PROBE

- MOUNT 12" ABOVE FIREPLACE
- CONNECT TO X-VENTISO HIGH PRESSURE PORT (TOP)

X-VENTISO 350 RAIN COLLAR

DISCONNECT SWITCH

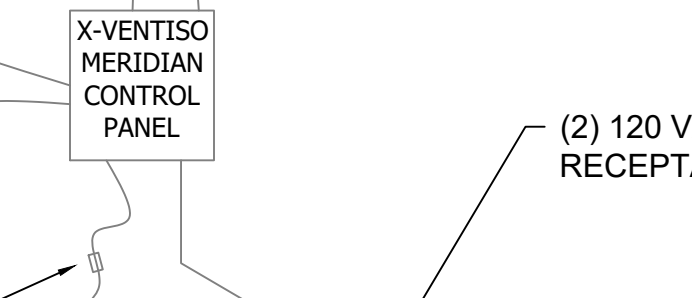
12"

ROOM PRESSURE SENSOR

- MOUNT INTO ROOM IN WHICH FIREPLACE IS INSTALLED (LOCATION MAY VARY, DO NOT PLACE IN LOCATION THAT MAY BE BLOCKED OR COVERED)
- CONNECT TO X-VENTISO LOW PRESSURE PORT (BOTTOM)

4 PIN MOLEX CONNECTION

3 PIN MOLEX CONNECTION



(2) 120 VAC/ 15A RECEPTACLES

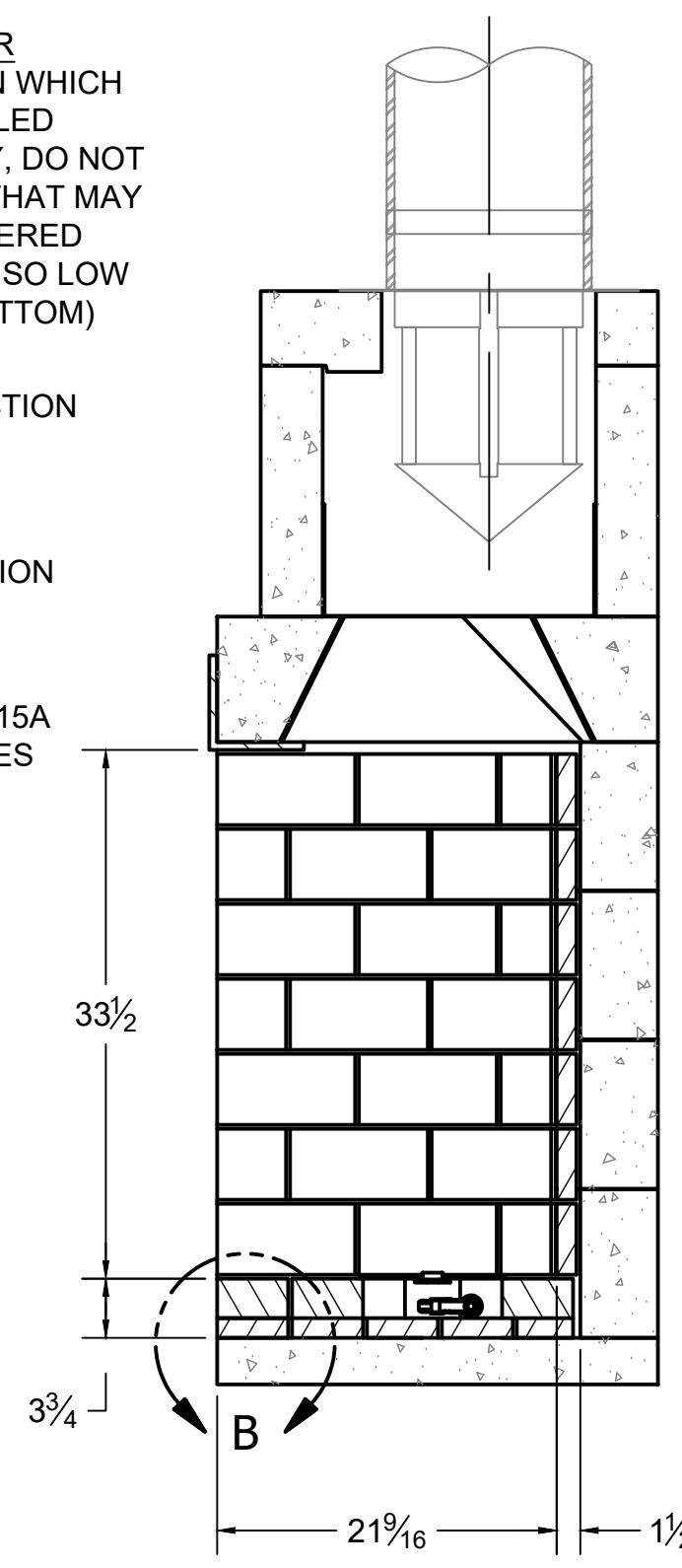
120 VAC/ 15A IN

3/4" PIPE FROM VALVE OUTLET TO FIREBOX

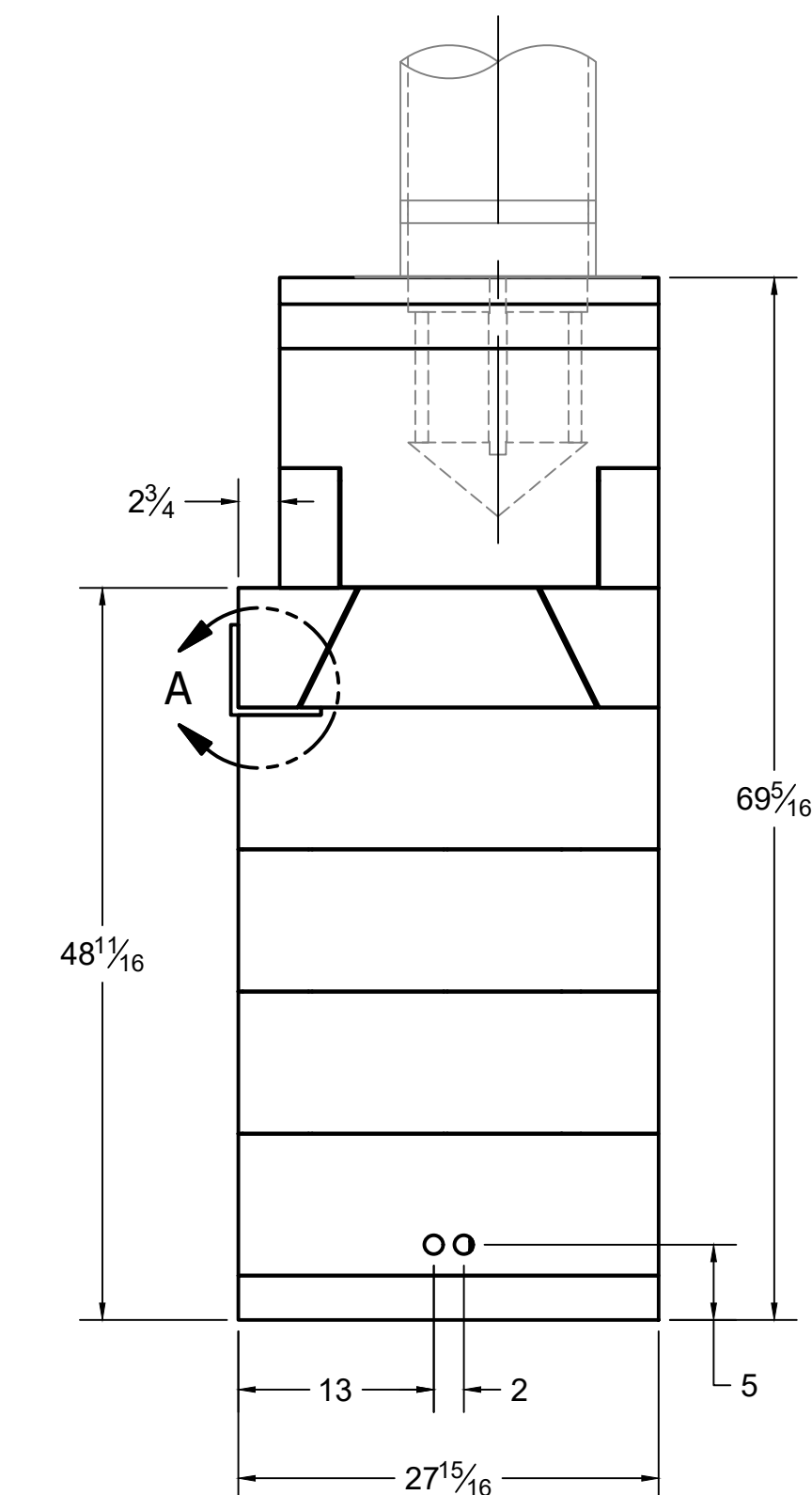
GAS AND ELECTRICAL CONNECTIONS TO PILOT ASSEMBLY

3/8" GAS SUPPLY TO VALVE:

- NG: 5" W.C. MIN./ 10.5" W.C. MAX.
- LP: 11" W.C. MIN./ 13" W.C. MAX.



SECTION B-B



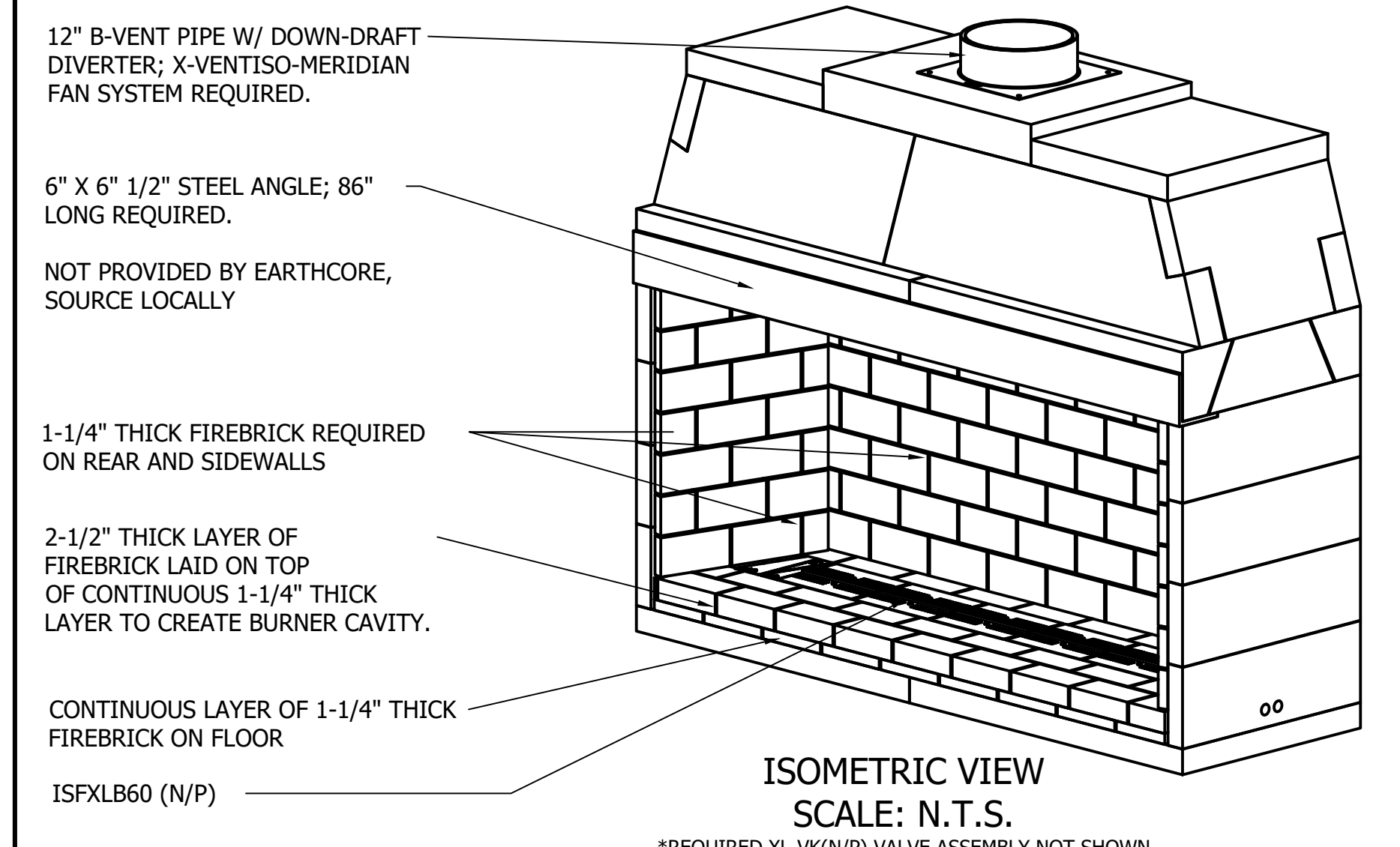
RIGHT

ISOKERN COMPONENT AND ACCESSORIES LIST		
PART #	QTY.	DESCRIPTION
82X72	1	72" XCELUX FIREPLACE
---	1	6"x6"x1/2" STEEL ANGLE; 86" LONG (NOT SUPPLIED BY EARTHCORE, SOURCE LOCALLY)
12MDD-EC	1	12in ANCHOR PLATE W/ DRAFT DIVERTER & ISOWOOL
ISFXLB60(N/P)	1	60" ISOFLAMES LINEAR XL BURNER (N: NATURAL GAS/ P: PROPANE)
XL-VK(N/P)	1	200 kBTU GAS VALVE CONTROL BOX (N: NATURAL GAS/ P: PROPANE)
XV-MERDML	1	X-VENTISO-MERIDIAN FAN SYSTEM (CONSISTS OF THE FOLLOWING): <ul style="list-style-type: none"> X-VENTISO-MERIDIAN-350 FAN (XV-MERD-350) X-VENTISO-350 FAN RAIN CAP (XV-350RC) X-VENTISO-12" PIPE ADAPTER FOR 350 FAN (XV-350ADP12) X-VENTISO-MERIDIAN DAMPER ASSEMBLY (XV-MERD-DAMP) X-VENTISO-MERIDIAN ROOM PRESSURE PROBE/ COVER PLATE, STACK PRESSURE PROBE, TUBING (XV-MERD-PRESSKIT) X-VENTISO-MERIDIAN CONTROL PANEL (XV-MERD-CTLR)

GENERAL NOTES

- THE ISOKERN 72" XCELUX SERIES FIREPLACE IS A TOP-VENTED, GAS ONLY FIREPLACE THAT IS APPROVED FOR USE ONLY WITH THE ISOFLAMES LINEAR XL BURNER SYSTEM AS SHOWN IN THIS DRAWING (ISFXLB60(N/P)). USAGE OF ANY OTHER BURNER IN THIS FIREPLACE IS PROHIBITED AND WILL ABSOLVE EARTHCORE/ ISOKERN OR ANY DIVISION THEREOF FOR ANY INCIDENTAL OR CONSEQUENTIAL DAMAGES OR EXPENSES ARISING OUT OF THE USE OF THIS FIREPLACE.
- THIS FIREPLACE'S BURNER SYSTEM (ISFXLB60(N/P)) COMES WITH A GAS CONTROL VALVE ASSEMBLY (XL-VK(N/P)) THAT INCLUDES AN AUTOMATIC DRAFT AND SAFETY SYSTEM.
- THIS APPLIANCE IS ONLY FOR USE WITH THE TYPE OF GAS INDICATED ON THE BURNER RATING PLATE. VERIFY GAS SUPPLY AND BURNER/ VALVE ARE OF SAME TYPE PRIOR TO INSTALLATION.
- THE EXHAUST FLUE GASES ARE TO BE VENTED THROUGH THE TOP OF THE UNIT WITH 12" METAL-FAB UL LISTED B-VENT PIPING WITH DOWN-DRAFT DIVERTER. THIS TWELVE INCH (12") DIAMETER, DOUBLE WALL B-VENTING SYSTEM IS NOT SUPPLIED BUT IS REQUIRED FOR PROPER OPERATION.
- THE XCELUX SERIES FIREPLACES SHALL BE INSTALLED WITH THE MINIMUM CLEARANCES TO COMBUSTIBLES AS LISTED BELOW:
 - UNIT FRONT: 0"
 - SIDES AND REAR: 1.5"
 - COMBUSTIBLE SHEATHING ABOVE OPENING TOP: 8"
 - SHEATHING OR TRIM TO OPENING SIDES: 8"
 - MANTEL ABOVE OPENING: 12"
 - OPENING TO SIDEWALLS: 24"
 - HEARTH EXTENSION BEYOND FRONT: 20"
 - HEARTH EXTENSION BEYOND SIDES (FINISHED): 12"
 - COMBUSTIBLE FLOOR: 5" (MUST USE COMBUSTIBLE FLOOR INSTALLATION APPLICATION AS DETAILED IN XCELUX INSTALLATION MANUAL, CONTINUOUS 1-1/4" THICK FIREBRICK FLOOR WITH 2-1/2" THICK FIREBRICK BURNER CAVITY, AND ISOFLAMES LINEAR XL BURNER AND VALVE)
 - INSULATION FROM FIREBOX (UNSHIELDED): 3"
- A REDUCED HEIGHT APPLICATION OF THIS FIREPLACE MAY BE INSTALLED BY OMITTING ONE COURSE OF BACK AND SIDEWALLS (MAX REDUCTION OF 9-1/2" ALLOWED).
- THIS DESIGN REQUIRES MECHANICAL VENTILATION ASSISTANCE USING THE X-VENTISO-MERIDIAN FAN SYSTEM FOR GAS-ONLY OPERATION. VENT PATHS ARE LIMITED TO A MAXIMUM OF TWO 90° ELBOWS AND MAY TERMINATE EITHER VERTICALLY OR HORIZONTALLY. REFER TO INSTALLATION MANUAL FOR MAXIMUM VENT LENGTHS AND ADDITIONAL INFORMATION REGARDING FLUE RUNS.
- ENSURE TWO 120VAC/ 15A OUTLETS ARE PROVIDED FOR GAS VALVE AND X-VENTISO-MERIDIAN CONTROL PANEL IN ACCORDANCE WITH INSTALLATION MANUAL. CONTROLS SHALL BE LOCATED IN ACCESSIBLE LOCATION.
- ALL ACCESSORIES/ EQUIPMENT INSTALLED WITH THIS FIREPLACE TO BE INSTALLED ACCORDING TO MANUFACTURER'S SPECIFICATIONS.
- INSTALL AND SUPPORT B-VENT PIPE TO ALL MANUFACTURER SPECIFICATIONS. ENSURE MIN. 1" CLEARANCE TO COMBUSTIBLES IS KEPT AT ALL TIMES.
- IMPORTANT: THE X-VENTISO-MERIDIAN DAMPER ASSEMBLY REQUIRES 2" CLEARANCE TO COMBUSTIBLES WITH HEAT SHIELD INSTALLED. IF HEAT SHIELD IS NOT INSTALLED, THIS CLEARANCE INCREASES TO 18".
- DRAWINGS ARE FOR DESIGN PURPOSES ONLY AND ARE THE SOLE PROPERTY OF EARTHCORE INDUSTRIES. ANY REPRODUCTION OR UNAUTHORIZED USE IS STRICTLY PROHIBITED.
- EARTHCORE/ ISOKERN OR ANY DIVISION THEREOF SHALL NOT BE HELD LIABLE FOR ANY INCIDENTAL OR CONSEQUENTIAL DAMAGES OR EXPENSES ARISING OUT OF THE USE OF THE FIREPLACES OR CHIMNEY SYSTEMS.
- ALWAYS CHECK LOCAL BUILDING CODES GOVERNING FIREPLACES AND FIREPLACE INSTALLATIONS.

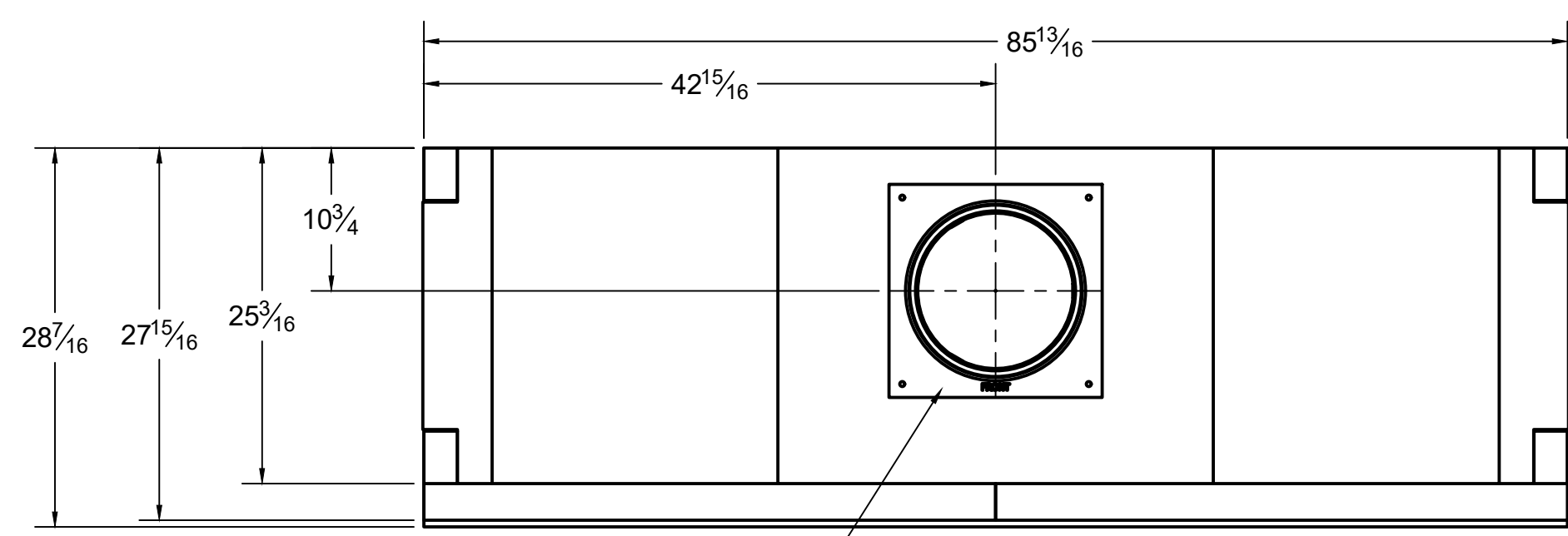
ISOMETRIC VIEW (N.T.S.)



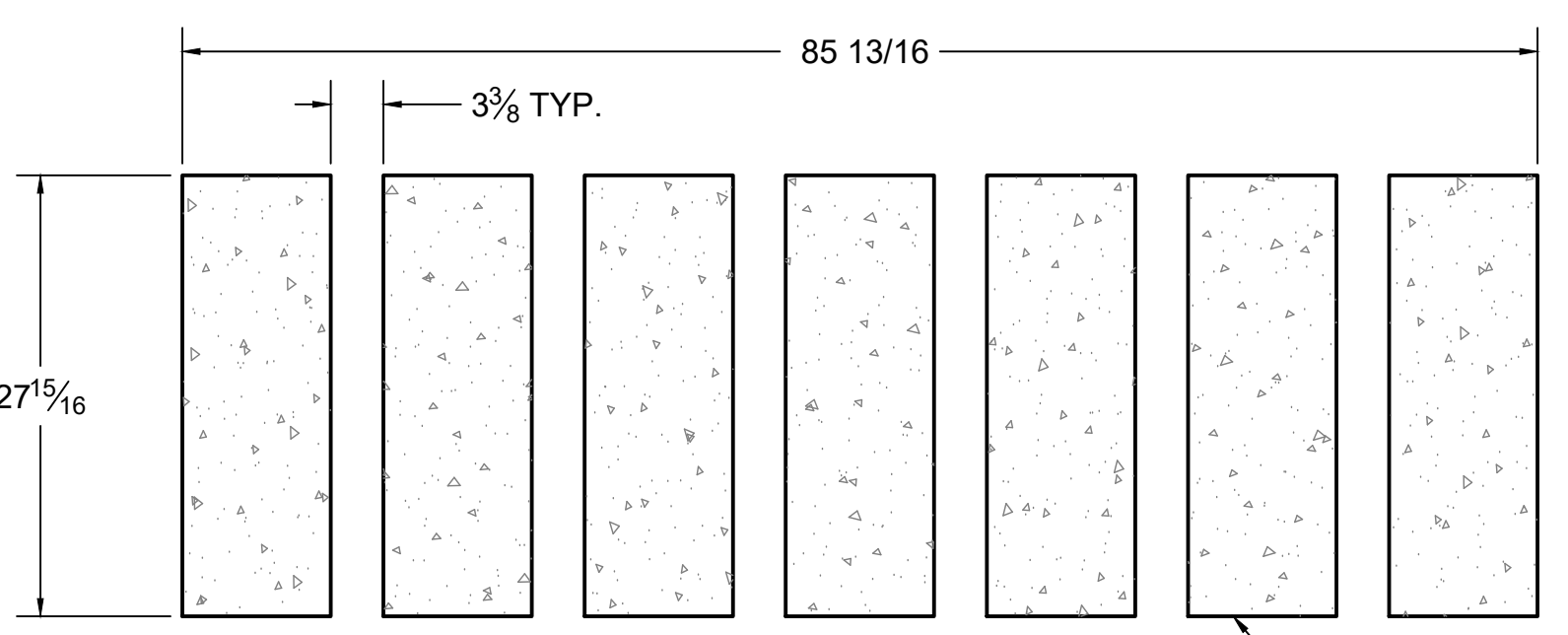
ISOMETRIC VIEW SCALE: N.T.S.

*REQUIRED XL-VK(N/P) VALVE ASSEMBLY NOT SHOWN

		UNLESS OTHERWISE STATED, ALL DIMENSIONS ARE IN INCHES UNSPECIFIED TOLERANCES: ANG. A ±, LIN. X ±, XX ±, XXX ±		PROJECT: 72" XCELUX SERIES DESCRIPTION: NONCOMBUSTIBLE FLOOR INSTALLATION MATERIAL: E.C. PUMICE MIXTURE DRAWN: K.B.H. APPROVED: DATE: 10/1/2024		SIZE: D SCALE: 1"=1'-0" DRAWING #: 82X72 SHEET # 1 OF 3	
--	--	--	--	---	--	--	--



TOP



SECTION C-C
SCALE 1" = 1'-0"

12" B-VENT PIPE W/ DOWN-DRAFT DIVERTER; X-VENTISO-MERIDIAN FAN SYSTEM REQUIRED.

FRAME OPENINGS TO 15"X15" CLEAR TO MAINTAIN MIN. 1" CLEARANCE TO COMBUSTIBLES

ONE ROW OF "FULL" 2-1/2" THICK FIREBRICK LAID ON TOP OF FIRST CONTINUOUS LAYER OF "SPLIT" 1-1/2" THICK FIREBRICK TO CREATE BURNER CAVITY.

BEGIN COURSING 1/2" FROM REAR WALL OF UNIT.

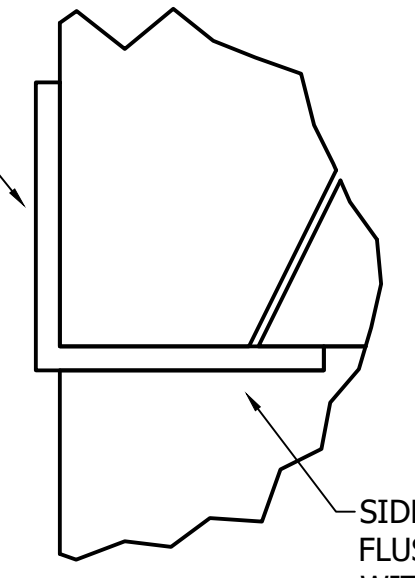
"SPLIT" 1-1/4" THICK FIREBRICK REQUIRED ON WALLS OF FIREBOX

TWO ROWS OF "FULL" 2-1/2" THICK FIREBRICK LAID ON TOP OF FIRST CONTINUOUS LAYER OF "SPLIT" 1-1/2" THICK FIREBRICK TO CREATE BURNER CAVITY.

BEGIN COURSING AT FRONT EDGE OF BASE PLATE.

THE REQUIRED HEARTH EXTENSION SHALL EXTEND A MINIMUM OF 20" TO THE FRONT AND 12" TO THE SIDES OF FIREBOX'S FINISHED OPENING.

6" X 6" 1/2" STEEL ANGLE; 86" LONG REQUIRED.
NOT PROVIDED BY EARTHCORE, SOURCE LOCALLY

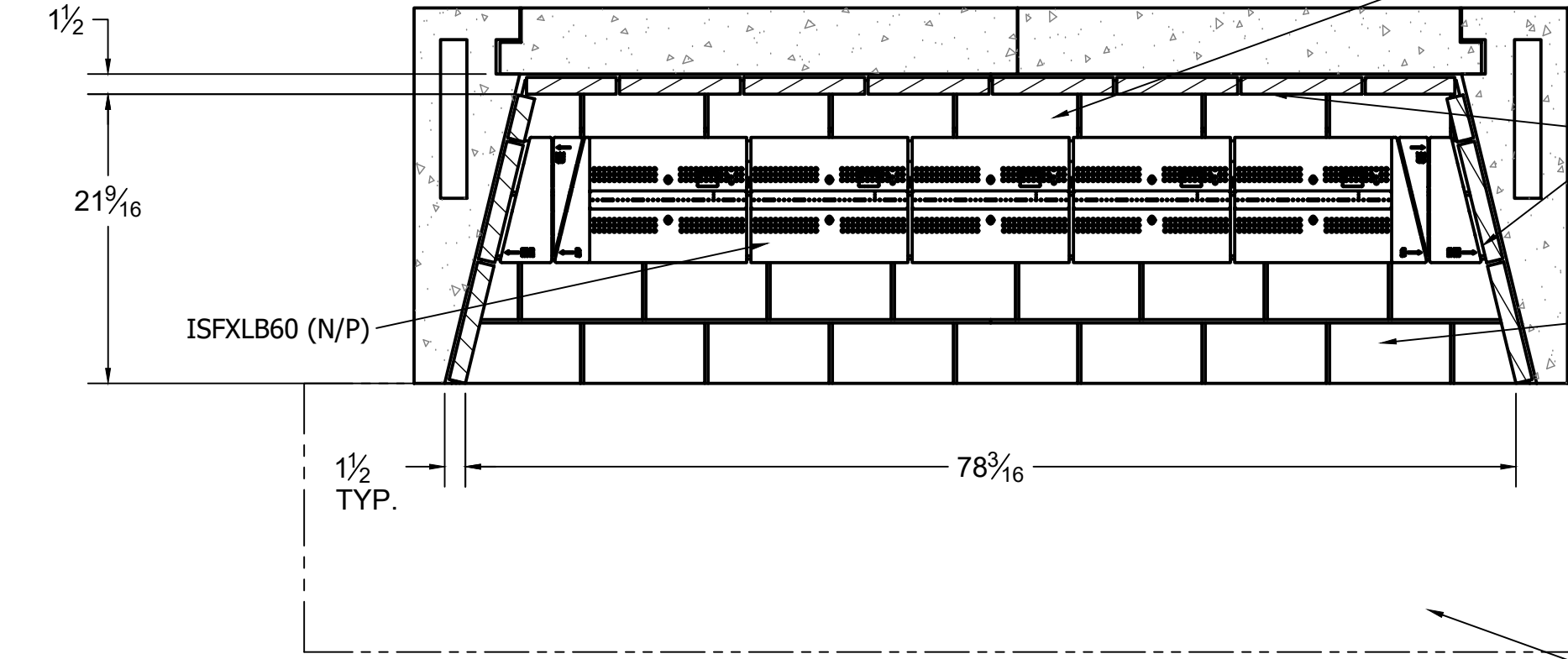


DETAIL A
SCALE .25

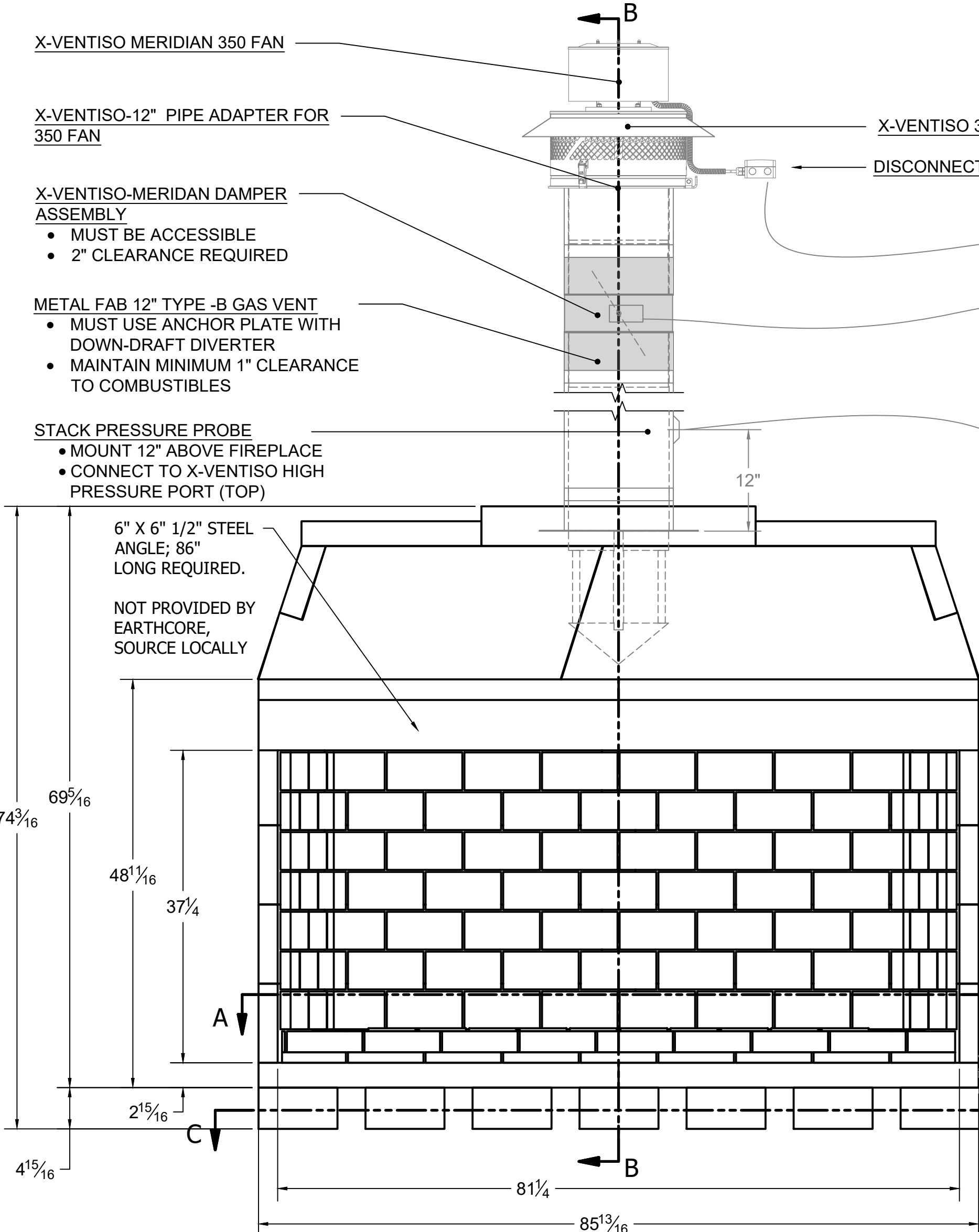
LAYER OF 2-1/2" THICK FIREBRICK LAID ON TOP OF FIRST LAYER TO CREATE BURNER CAVITY

CONTINUOUS LAYER OF 1-1/4" THICK FIREBRICK TO COVER ENTIRE HEARTH FLOOR

DETAIL B
SCALE .25



SECTION A-A



FRONT

- X-VENTISO MERIDIAN 350 FAN
- X-VENTISO-12" PIPE ADAPTER FOR 350 FAN
- X-VENTISO-MERIDIAN DAMPER ASSEMBLY
 - MUST BE ACCESSIBLE
 - 2" CLEARANCE REQUIRED
- METAL FAB 12" TYPE-B GAS VENT
 - MUST USE ANCHOR PLATE WITH DOWN-DRAFT DIVERTER
 - MAINTAIN MINIMUM 1" CLEARANCE TO COMBUSTIBLES
- STACK PRESSURE PROBE
 - MOUNT 12" ABOVE FIREPLACE
 - CONNECT TO X-VENTISO HIGH PRESSURE PORT (TOP)

6" X 6" 1/2" STEEL ANGLE; 86" LONG REQUIRED.
NOT PROVIDED BY EARTHCORE, SOURCE LOCALLY

ROOM PRESSURE SENSOR

- MOUNT INTO ROOM IN WHICH FIREPLACE IS INSTALLED (LOCATION MAY VARY, DO NOT PLACE IN LOCATION THAT MAY BE BLOCKED OR COVERED)
- CONNECT TO X-VENTISO LOW PRESSURE PORT (BOTTOM)

4 PIN MOLEX CONNECTION

3 PIN MOLEX CONNECTION

X-VENTISO MERIDIAN CONTROL PANEL

4 PIN MOLEX CONNECTION

XL-VK(N/P) VALVE CONTROL ASSEMBLY

(2) 120 VAC/ 15A RECEPTACLES

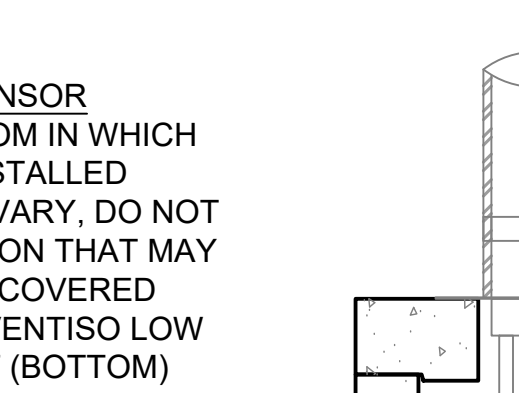
120 VAC/ 15A IN

3/4" PIPE FROM VALVE OUTLET TO FIREBOX

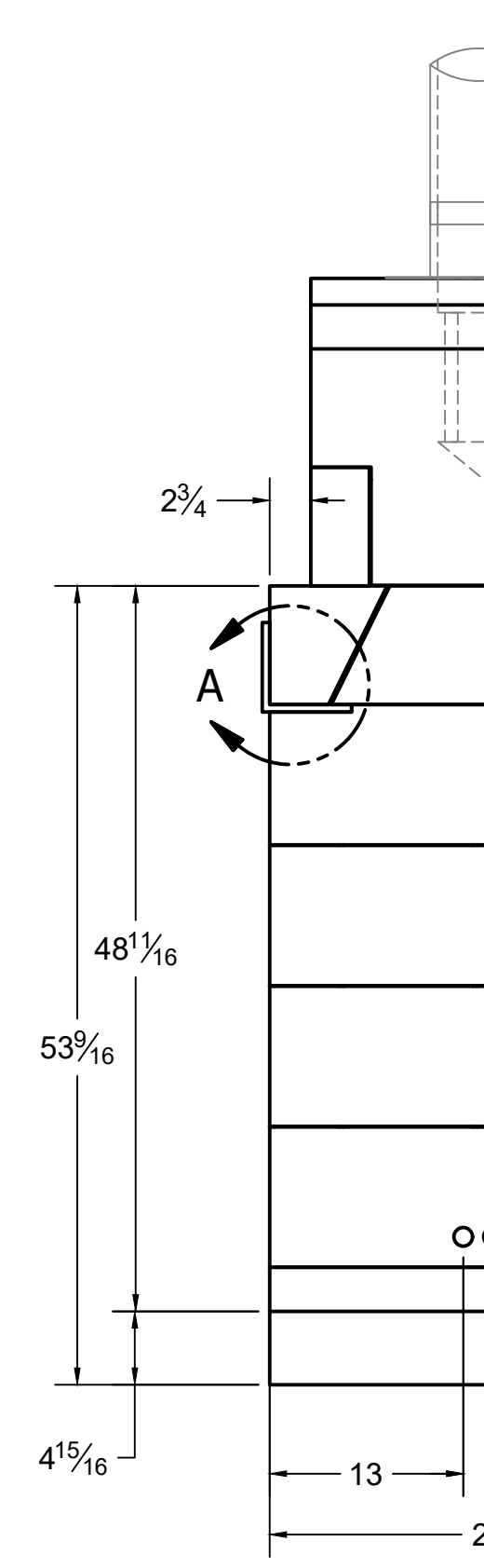
GAS AND ELECTRICAL CONNECTIONS TO PILOT ASSEMBLY

3/8" GAS SUPPLY TO VALVE:

- NG: 5" W.C. MIN./ 10.5" W.C. MAX.
- LP: 11" W.C. MIN./ 13" W.C. MAX.



SECTION B-B



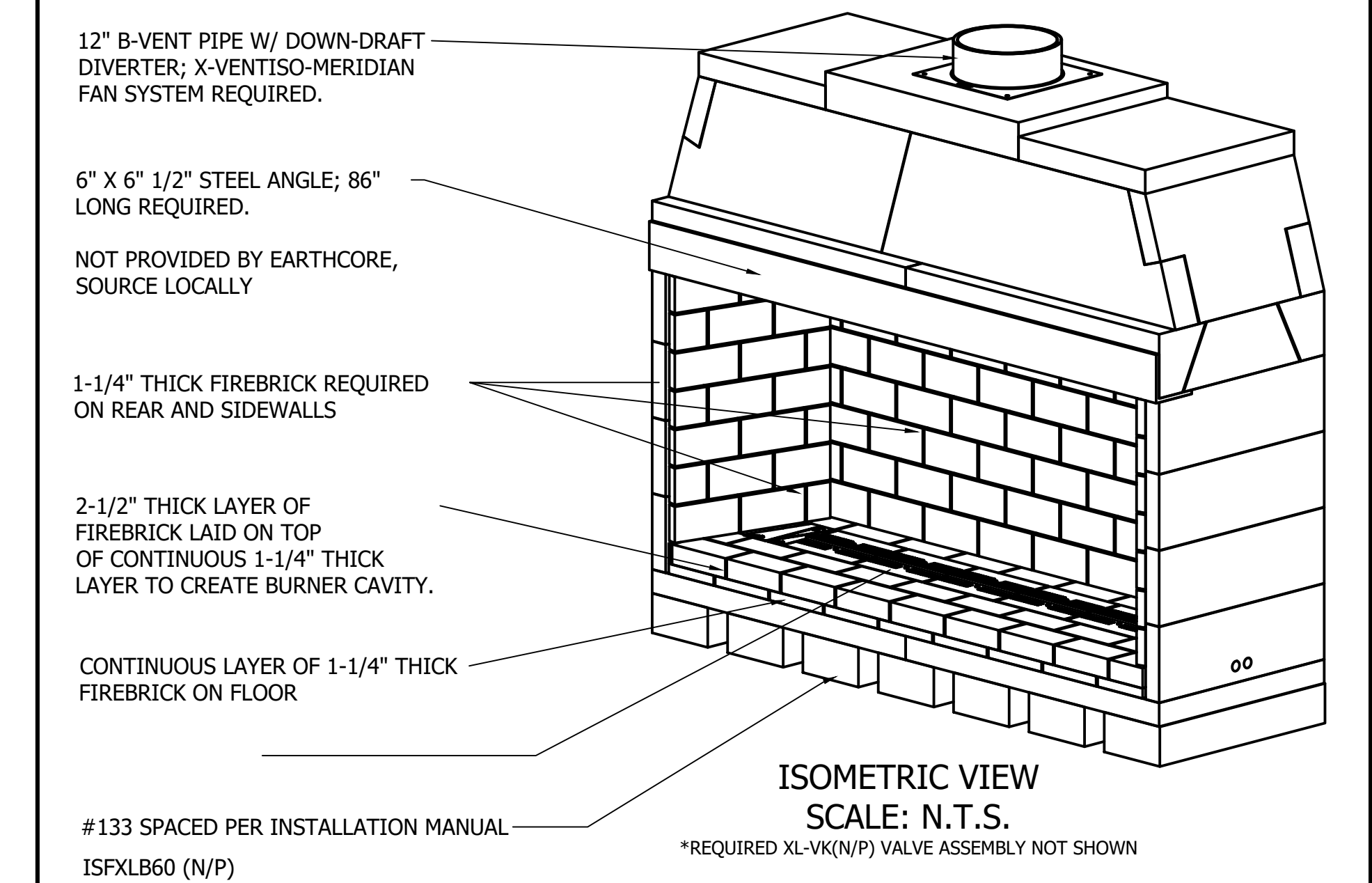
RIGHT

ISOKERN COMPONENT AND ACCESSORIES LIST		
PART #	QTY.	DESCRIPTION
82X72	1	72" XCELUX FIREPLACE
---	1	6"X6"x1/2" STEEL ANGLE; 86" LONG (NOT SUPPLIED BY EARTHCORE, SOURCE LOCALLY)
12MDD-EC	1	12in ANCHOR PLATE W/ DRAFT DIVERTER & ISOWOOL
ISFXLB60(N/P)	1	60" ISOFLAMES LINEAR XL BURNER (N: NATURAL GAS/ P: PROPANE)
XL-VK(N/P)	1	200 kBTU GAS VALVE CONTROL BOX (N: NATURAL GAS/ P: PROPANE)
XV-MERDML	1	X-VENTISO-MERIDIAN FAN SYSTEM (CONSISTS OF THE FOLLOWING): <ul style="list-style-type: none"> X-VENTISO-MERIDIAN-350 FAN (XV-MERD-350) X-VENTISO-350 FAN RAIN CAP (XV-350RC) X-VENTISO-12" PIPE ADAPTER FOR 350 FAN (XV-350ADP12) X-VENTISO-MERIDIAN DAMPER ASSEMBLY (XV-MERD-DAMP) X-VENTISO-MERIDIAN ROOM PRESSURE PROBE/ COVER PLATE, STACK PRESSURE PROBE, TUBING (XV-MERD-PRESSKIT) X-VENTISO-MERIDIAN CONTROL PANEL (XV-MERD-CTLR)
---	7	ISOKERN #133: REQUIRED FOR COMBUSTIBLE FLOOR INSTALLATION

GENERAL NOTES

- THE ISOKERN 72" XCELUX SERIES FIREPLACE IS A TOP-VENTED, GAS ONLY FIREPLACE THAT IS APPROVED FOR USE ONLY WITH THE ISOFLAMES LINEAR XL BURNER SYSTEM AS SHOWN IN THIS DRAWING (ISFXLB60(N/P)). USAGE OF ANY OTHER BURNER IN THIS FIREPLACE IS PROHIBITED AND WILL ABSOLVE EARTHCORE/ ISOKERN OR ANY DIVISION THEREOF FOR ANY INCIDENTAL OR CONSEQUENTIAL DAMAGES OR EXPENSES ARISING OUT OF THE USE OF THIS FIREPLACE.
- THIS FIREPLACE'S BURNER SYSTEM (ISFXLB60(N/P)) COMES WITH A GAS CONTROL VALVE ASSEMBLY (XL-VK(N/P)) THAT INCLUDES AN AUTOMATIC DRAFT AND SAFETY SYSTEM.
- THIS APPLIANCE IS ONLY FOR USE WITH THE TYPE OF GAS INDICATED ON THE BURNER RATING PLATE. VERIFY GAS SUPPLY AND BURNER/ VALVE ARE OF SAME TYPE PRIOR TO INSTALLATION.
- THE EXHAUST FUE GASES ARE TO BE VENTED THROUGH THE TOP OF THE UNIT WITH 12" METAL-FAB UL LISTED B-VENT PIPING WITH DOWN-DRAFT DIVERTER. THIS TWELVE INCH (12") DIAMETER, DOUBLE WALL B-VENTING SYSTEM IS NOT SUPPLIED BUT IS REQUIRED FOR PROPER OPERATION.
- THE XCELUX SERIES FIREPLACES SHALL BE INSTALLED WITH THE MINIMUM CLEARANCES TO COMBUSTIBLES AS LISTED BELOW:
 - UNIT FRONT: 0"
 - SIDES AND REAR: 1.5"
 - COMBUSTIBLE SHEATHING ABOVE OPENING TOP: 8"
 - SHEATHING OR TRIM TO OPENING SIDES: 8"
 - MANTLE ABOVE OPENING: 12"
 - OPENING TO SIDEWALLS: 24"
 - HEARTH EXTENSION BEYOND FRONT: 20"
 - HEARTH EXTENSION BEYOND SIDES (FINISHED): 12"
 - COMBUSTIBLE FLOOR: 5" (MUST USE COMBUSTIBLE FLOOR INSTALLATION APPLICATION AS DETAILED IN XCELUX INSTALLATION MANUAL, CONTINUOUS 1-1/4" THICK FIREBRICK FLOOR WITH 2-1/2" THICK FIREBRICK BURNER CAVITY, AND ISOFLAMES LINEAR XL BURNER AND VALVE)
 - INSULATION FROM FIREBOX (UNSHIELDED): 3"
- A REDUCED HEIGHT APPLICATION OF THIS FIREPLACE MAY BE INSTALLED BY OMITTING ONE COURSE OF BACK AND SIDEWALLS (MAX REDUCTION OF 9-1/2" ALLOWED).
- THIS DESIGN REQUIRES MECHANICAL VENTILATION ASSISTANCE USING THE X-VENTISO-MERIDIAN FAN SYSTEM FOR GAS-ONLY OPERATION. VENT PATHS ARE LIMITED TO A MAXIMUM OF TWO 90° ELBOWS AND MAY TERMINATE EITHER VERTICALLY OR HORIZONTALLY. REFER TO INSTALLATION MANUAL FOR MAXIMUM VENT LENGTHS AND ADDITIONAL INFORMATION REGARDING FLUE RUNS.
- ENSURE TWO 120VAC/ 15A OUTLETS ARE PROVIDED FOR GAS VALVE AND X-VENTISO-MERIDIAN CONTROL PANEL IN ACCORDANCE WITH INSTALLATION MANUAL. CONTROLS SHALL BE LOCATED IN ACCESSIBLE LOCATION.
- ALL ACCESSORIES/ EQUIPMENT INSTALLED WITH THIS FIREPLACE TO BE INSTALLED ACCORDING TO MANUFACTURER'S SPECIFICATIONS.
- INSTALL AND SUPPORT B-VENT PIPE TO ALL MANUFACTURER SPECIFICATIONS. ENSURE MIN. 1" CLEARANCE TO COMBUSTIBLES IS KEPT AT ALL TIMES.
- IMPORTANT: THE X-VENTISO-MERIDIAN DAMPER ASSEMBLY REQUIRES 2" CLEARANCE TO COMBUSTIBLES WITH HEAT SHIELD INSTALLED. IF HEAT SHIELD IS NOT INSTALLED, THIS CLEARANCE INCREASES TO 18".
- DRAWINGS ARE FOR DESIGN PURPOSES ONLY AND ARE THE SOLE PROPERTY OF EARTHCORE INDUSTRIES. ANY REPRODUCTION OR UNAUTHORIZED USE IS STRICTLY PROHIBITED.
- EARTHCORE/ ISOKERN OR ANY DIVISION THEREOF SHALL NOT BE HELD LIABLE FOR ANY INCIDENTAL OR CONSEQUENTIAL DAMAGES OR EXPENSES ARISING OUT OF THE USE OF THE FIREPLACES OR CHIMNEY SYSTEMS.
- ALWAYS CHECK LOCAL BUILDING CODES GOVERNING FIREPLACES AND FIREPLACE INSTALLATIONS.

ISOMETRIC VIEW (N.T.S.)



ISOMETRIC VIEW
SCALE: N.T.S.

#133 SPACED PER INSTALLATION MANUAL
ISFXLB60 (N/P)

UNLESS OTHERWISE STATED, ALL DIMENSIONS ARE IN INCHES

PROJECT: 72" XCELUX SERIES
DESCRIPTION: COMBUSTIBLE FLOOR INSTALLATION W/ #133

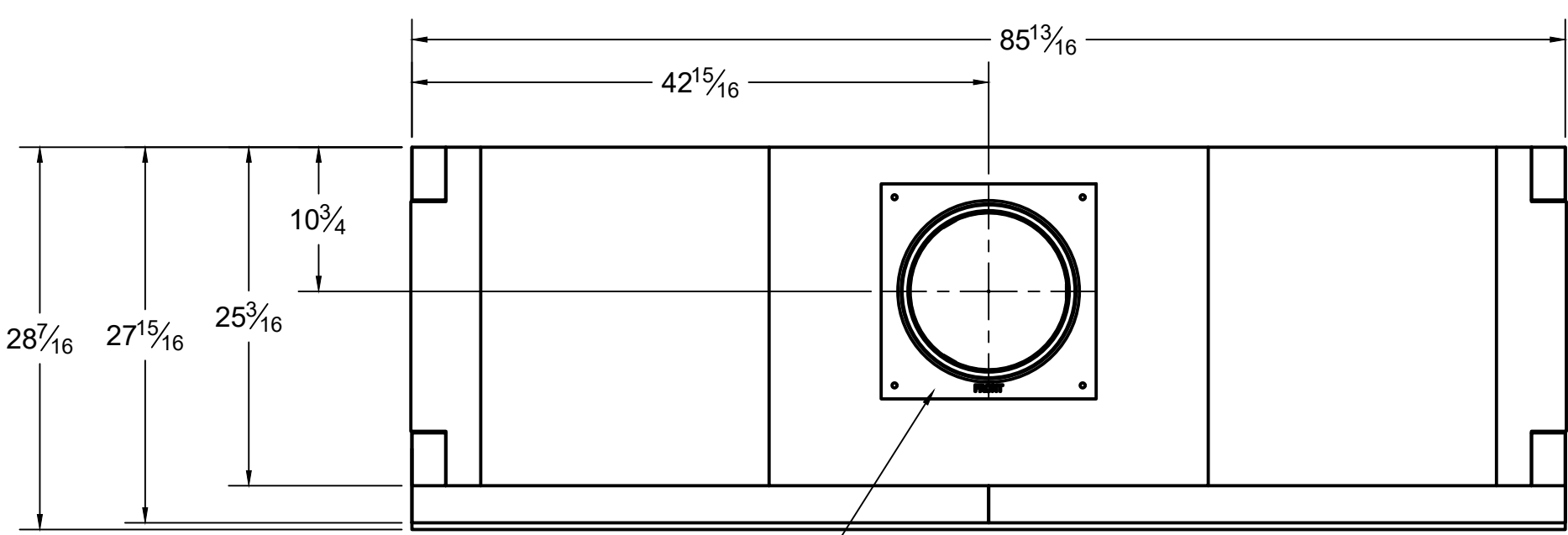
MATERIAL: E.C. PUMICE MIXTURE

DRAWN: K.B.H. DATE: 10/1/2024

APPROVED: DATE: 10/1/2024

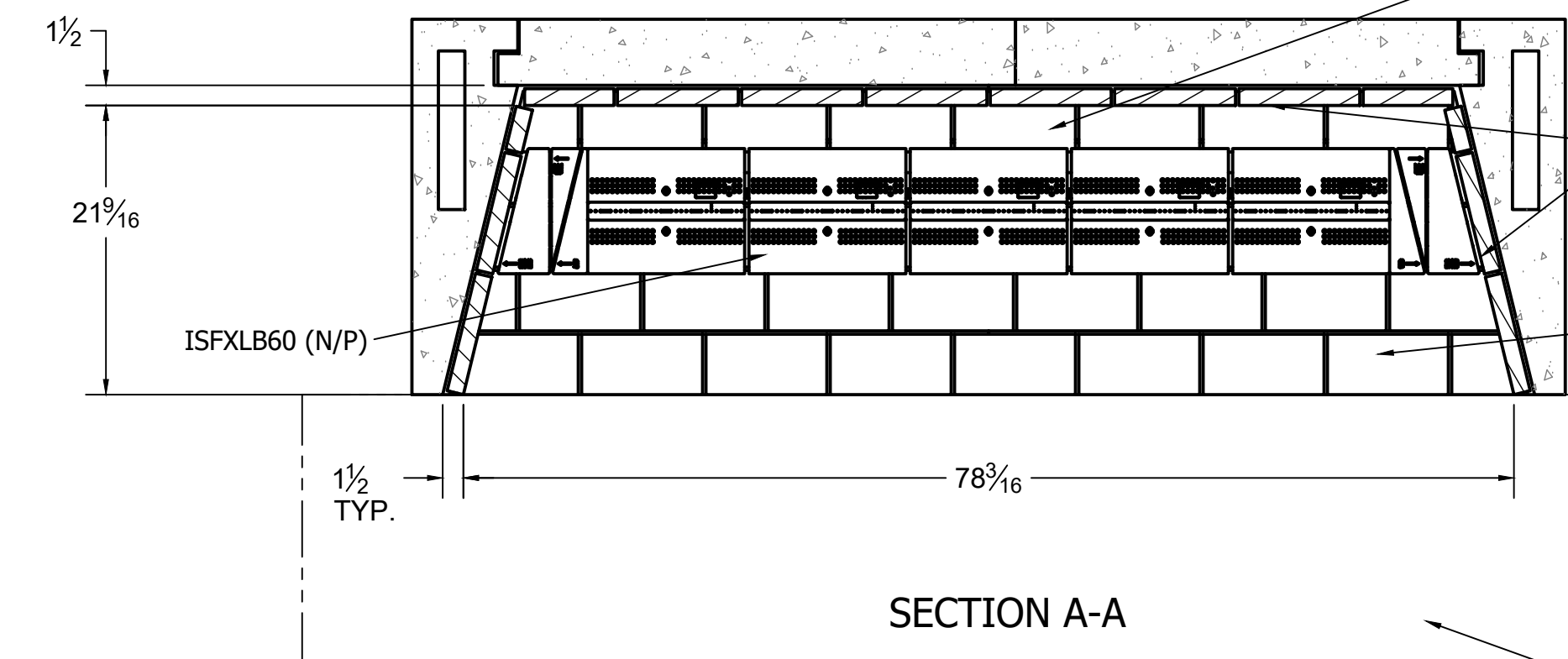
SIZE: D SCALE: 1"=1'-0" DRAWING #: 82X72

DO NOT SCALE SHEET 1 OF 2

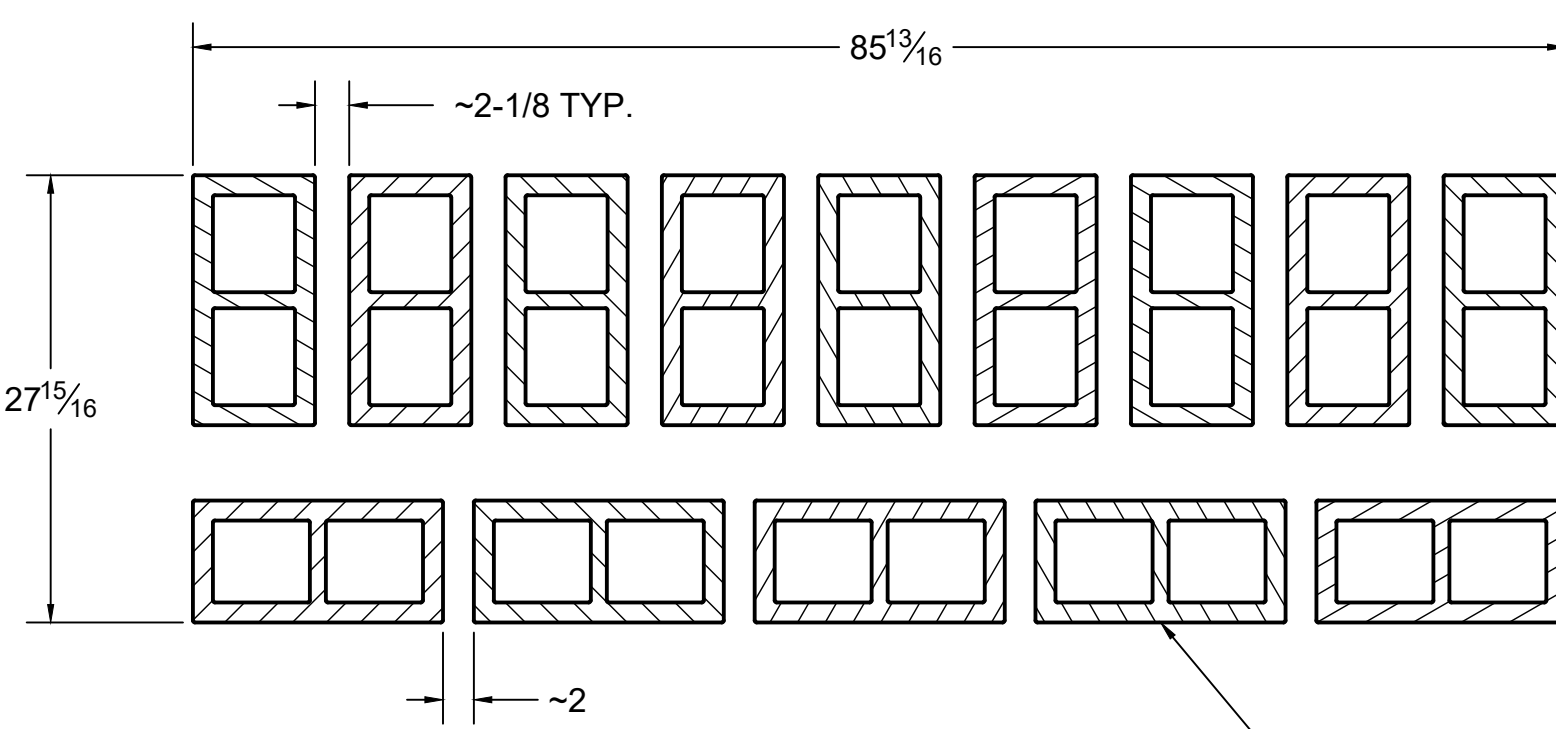


12" B-VENT PIPE W/ DOWN-DRAFT DIVERTER; X-VENTISO-MERIDIAN FAN SYSTEM REQUIRED.

FRAME OPENINGS TO 15"X15" CLEAR TO MAINTAIN MIN. 1" CLEARANCE TO COMBUSTIBLES

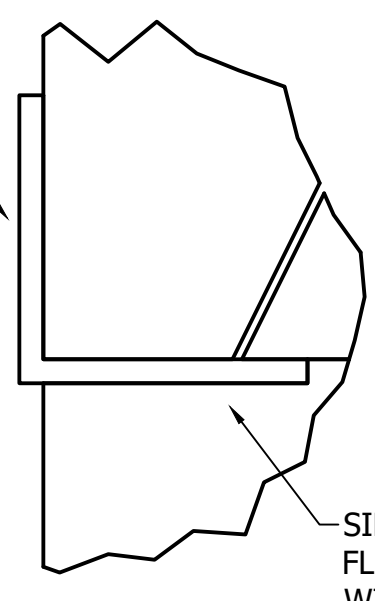


SECTION A-A

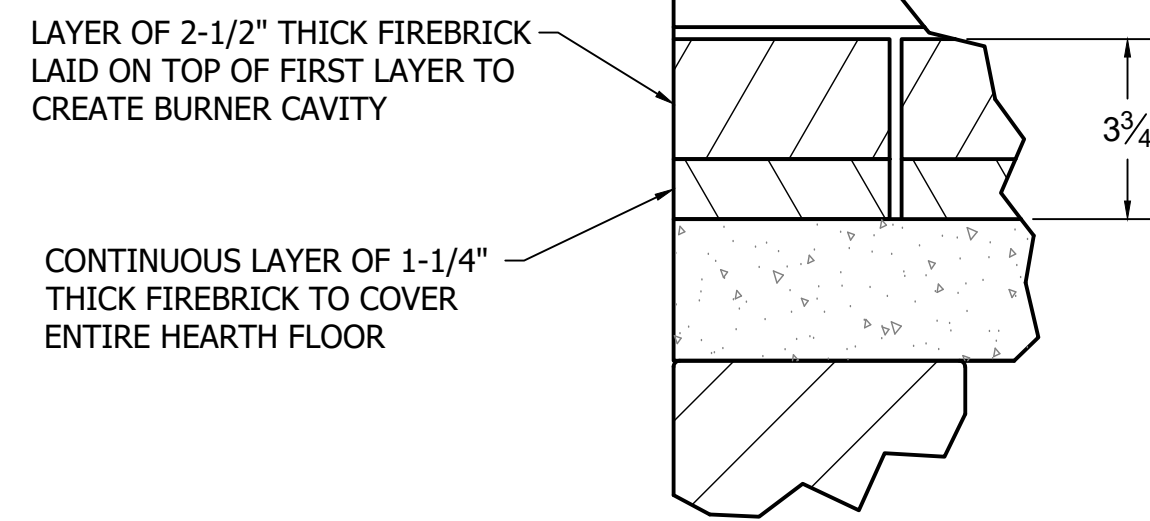


SECTION C-C
SCALE 1" = 1'-0"

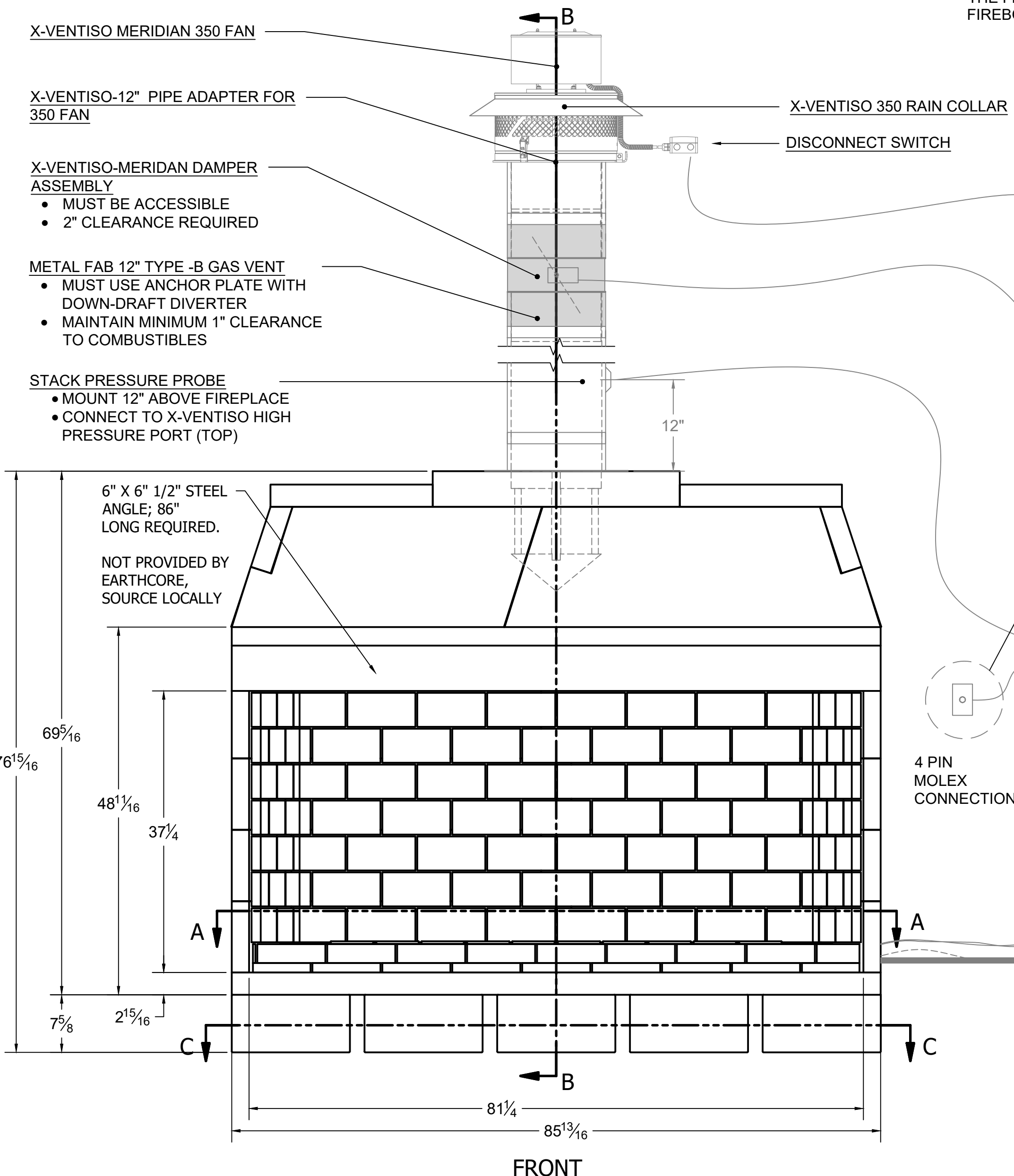
(14x) STANDARD ASTM C90 8" x 8" x 16" CMU



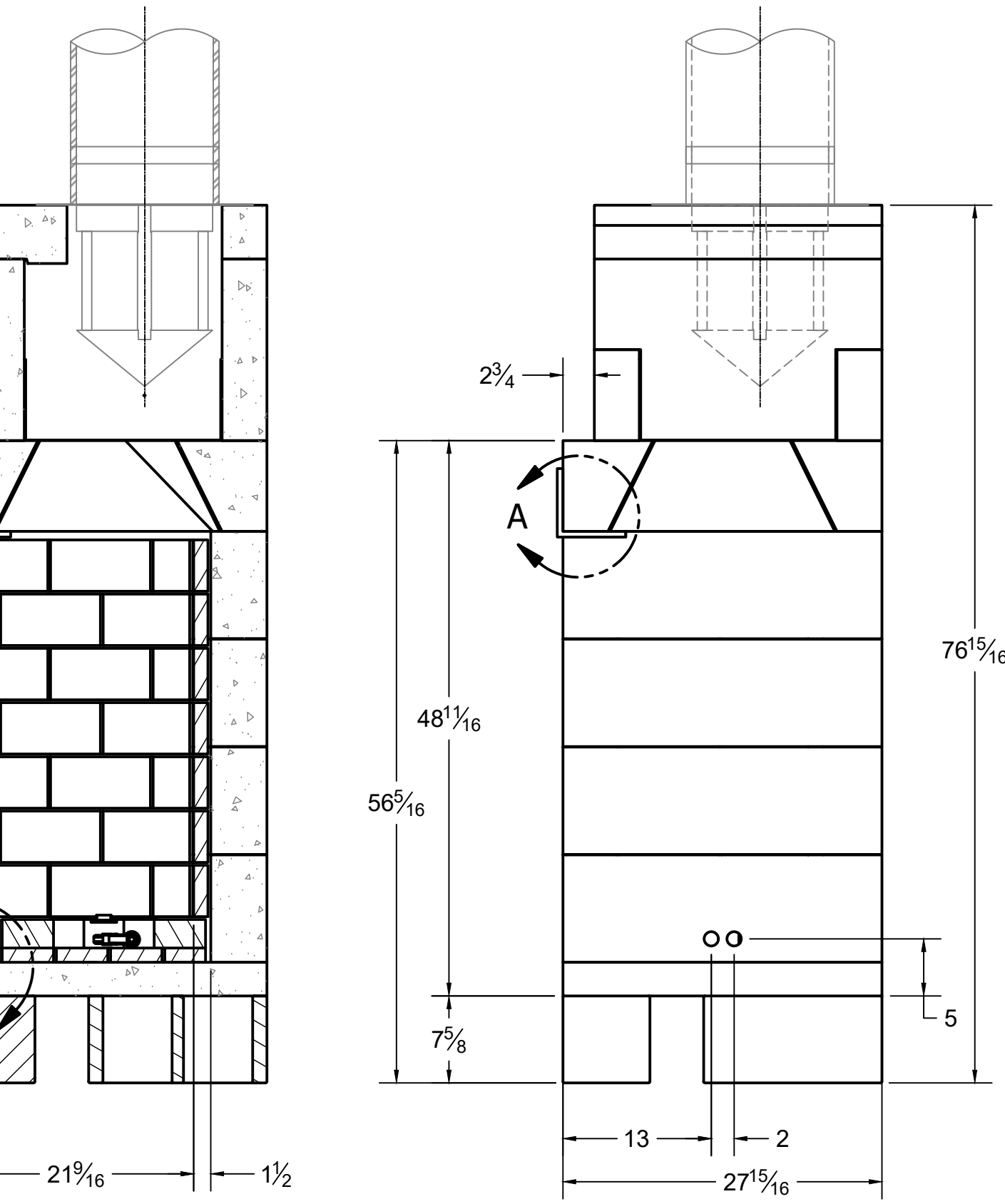
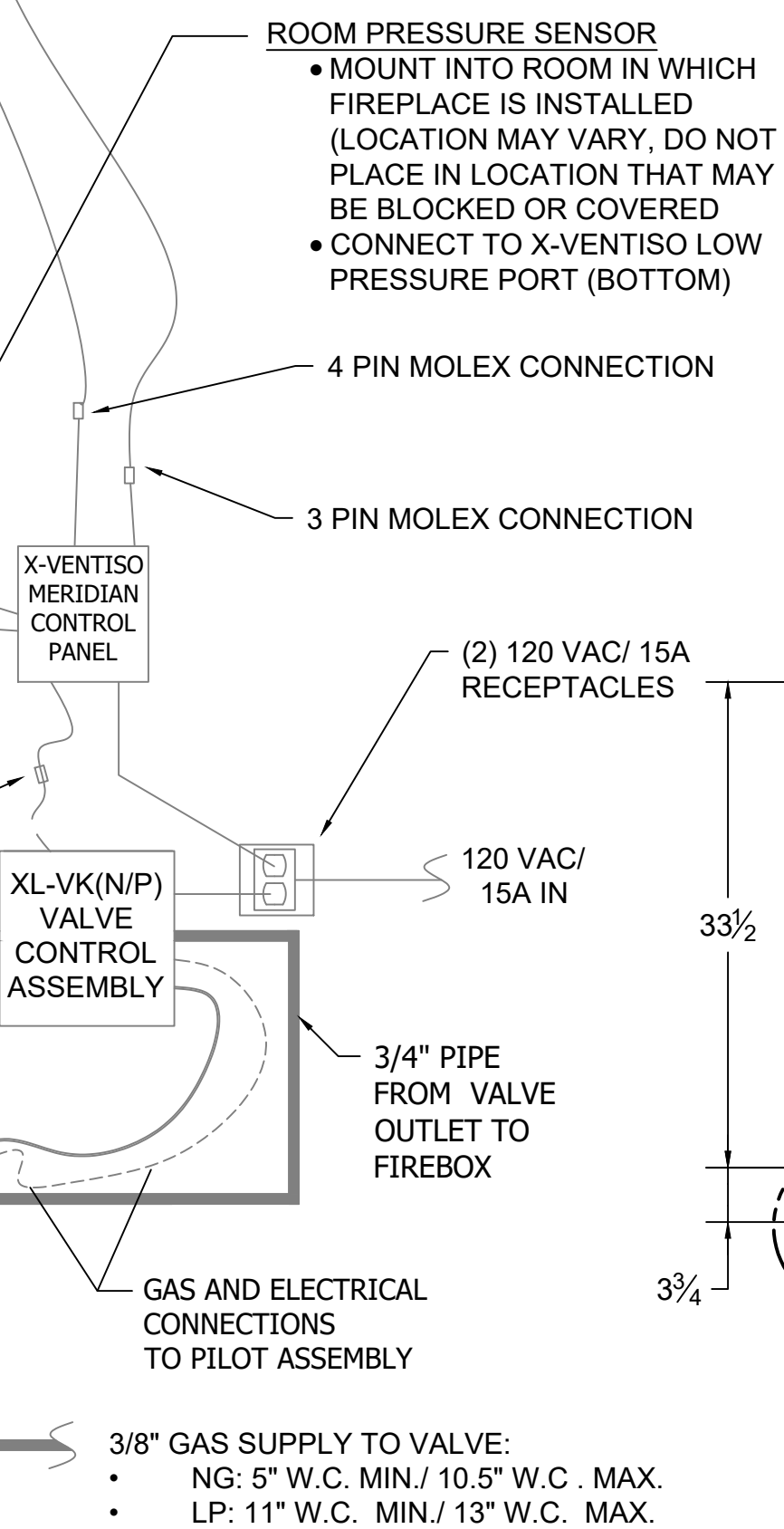
DETAIL A
SCALE .25



DETAIL B
SCALE .25



FRONT



SECTION B-B

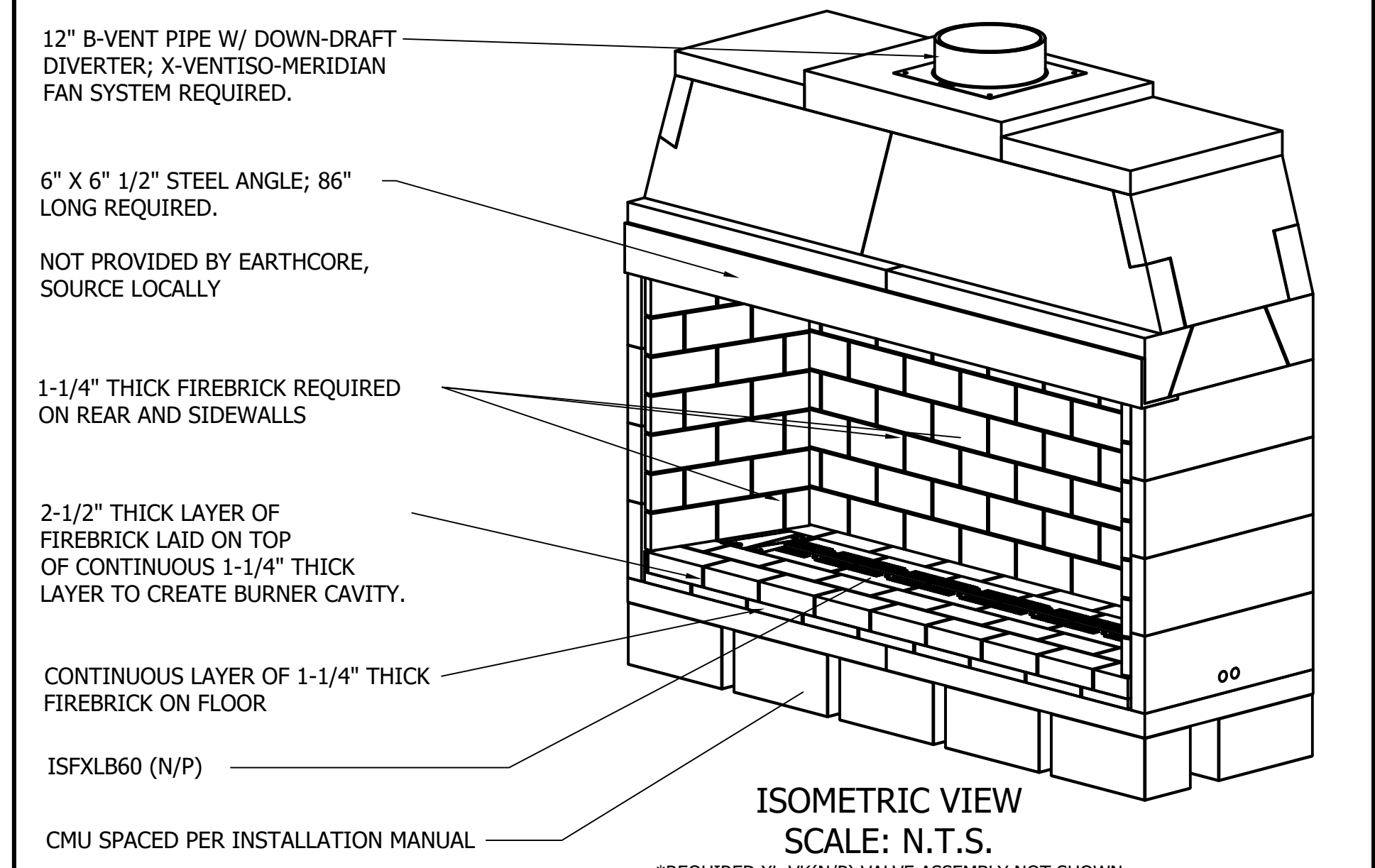
RIGHT

ISOKERN COMPONENT AND ACCESSORIES LIST		
PART #	QTY.	DESCRIPTION
82X72	1	72" XCELUX FIREPLACE
---	1	6"x6"x1/2" STEEL ANGLE; 86" LONG (NOT SUPPLIED BY EARTHCORE, SOURCE LOCALLY)
12MDD-EC	1	12in ANCHOR PLATE W/ DRAFT DIVERTER & ISOWOOL
ISFXLB60(N/P)	1	60" ISOFLAMES LINEAR XL BURNER (N: NATURAL GAS/ P: PROPANE)
XL-VK(N/P)	1	200 kBTU GAS VALVE CONTROL BOX (N: NATURAL GAS/ P: PROPANE)
XV-MERDML	1	X-VENTISO-MERIDIAN FAN SYSTEM (CONSISTS OF THE FOLLOWING): <ul style="list-style-type: none"> X-VENTISO-MERIDIAN-350 FAN (XV-MERD-350) X-VENTISO-350 FAN RAIN CAP (XV-350RC) X-VENTISO-12" PIPE ADAPTER FOR 350 FAN (XV-350ADP12) X-VENTISO-MERIDIAN DAMPER ASSEMBLY (XV-MERD-DAMP) X-VENTISO-MERIDIAN ROOM PRESSURE PROBE/ COVER PLATE, STACK PRESSURE PROBE, TUBING (XV-MERD-PRESSKIT) X-VENTISO-MERIDIAN CONTROL PANEL (XV-MERD-CTLR)
---	14	ASTM C90 16X8X8 CMU; REQUIRED FOR ALTERNATE COMBUSTIBLE FLOOR INSTALLATION

GENERAL NOTES

- THE ISOKERN 72" XCELUX SERIES FIREPLACE IS A TOP-VENTED, GAS ONLY FIREPLACE THAT IS APPROVED FOR USE ONLY WITH THE ISOFLAMES LINEAR XL BURNER SYSTEM AS SHOWN IN THIS DRAWING (ISFXLB60(N/P)). USAGE OF ANY OTHER BURNER IN THIS FIREPLACE IS PROHIBITED AND WILL ABSOLVE EARTHCORE/ ISOKERN OR ANY DIVISION THEREOF FOR ANY INCIDENTAL OR CONSEQUENTIAL DAMAGES OR EXPENSES ARISING OUT OF THE USE OF THIS FIREPLACE.
- THIS FIREPLACE'S BURNER SYSTEM (ISFXLB60(N/P)) COMES WITH A GAS CONTROL VALVE ASSEMBLY (XL-VK(N/P)) THAT INCLUDES AN AUTOMATIC DRAFT AND SAFETY SYSTEM.
- THIS APPLIANCE IS ONLY FOR USE WITH THE TYPE OF GAS INDICATED ON THE BURNER RATING PLATE. VERIFY GAS SUPPLY AND BURNER/ VALVE ARE OF SAME TYPE PRIOR TO INSTALLATION.
- THE EXHAUST FLUE GASES ARE TO BE VENTED THROUGH THE TOP OF THE UNIT WITH 12" METAL-FAB UL LISTED B-VENT PIPING WITH DOWN-DRAFT DIVERTER. THIS TWELVE INCH (12") DIAMETER, DOUBLE WALL B-VENTING SYSTEM IS NOT SUPPLIED BUT IS REQUIRED FOR PROPER OPERATION.
- THE XCELUX SERIES FIREPLACES SHALL BE INSTALLED WITH THE MINIMUM CLEARANCES TO COMBUSTIBLES AS LISTED BELOW:
 - UNIT FRONT: 0"
 - SIDES AND REAR: 1.5"
 - COMBUSTIBLE SHEATHING ABOVE OPENING TOP: 8"
 - SHEATHING OR TRIM TO OPENING SIDES: 8"
 - MANTEL ABOVE OPENING: 12"
 - OPENING TO SIDEWALLS: 24"
 - HEARTH EXTENSION BEYOND FRONT: 20"
 - HEARTH EXTENSION BEYOND SIDES (FINISHED): 12"
 - COMBUSTIBLE FLOOR: 5" (MUST USE COMBUSTIBLE FLOOR INSTALLATION APPLICATION AS DETAILED IN XCELUX INSTALLATION MANUAL, CONTINUOUS 1-1/4" THICK FIREBRICK FLOOR WITH 2-1/2" THICK FIREBRICK BURNER CAVITY, AND ISOFLAMES LINEAR XL BURNER AND VALVE)
 - INSULATION FROM FIREBOX (UNSHIELDED): 3"
- A REDUCED HEIGHT APPLICATION OF THIS FIREPLACE MAY BE INSTALLED BY OMITTING ONE COURSE OF BACK AND SIDEWALLS (MAX REDUCTION OF 9-1/2" ALLOWED).
- THIS DESIGN REQUIRES MECHANICAL VENTILATION ASSISTANCE USING THE X-VENTISO-MERIDIAN FAN SYSTEM FOR GAS-ONLY OPERATION. VENT PATHS ARE LIMITED TO A MAXIMUM OF TWO 90° ELBOWS AND MAY TERMINATE EITHER VERTICALLY OR HORIZONTALLY. REFER TO INSTALLATION MANUAL FOR MAXIMUM VENT LENGTHS AND ADDITIONAL INFORMATION REGARDING FLUE RUNS.
- ENSURE TWO 120VAC/ 15A OUTLETS ARE PROVIDED FOR GAS VALVE AND X-VENTISO-MERIDIAN CONTROL PANEL IN ACCORDANCE WITH INSTALLATION MANUAL. CONTROLS SHALL BE LOCATED IN ACCESSIBLE LOCATION.
- ALL ACCESSORIES/ EQUIPMENT INSTALLED WITH THIS FIREPLACE TO BE INSTALLED ACCORDING TO MANUFACTURER'S SPECIFICATIONS.
- INSTALL AND SUPPORT B-VENT PIPE TO ALL MANUFACTURER SPECIFICATIONS. ENSURE MIN. 1" CLEARANCE TO COMBUSTIBLES IS KEPT AT ALL TIMES.
- IMPORTANT: THE X-VENTISO-MERIDIAN DAMPER ASSEMBLY REQUIRES 2" CLEARANCE TO COMBUSTIBLES WITH HEAT SHIELD INSTALLED. IF HEAT SHIELD IS NOT INSTALLED, THIS CLEARANCE INCREASES TO 18".
- DRAWINGS ARE FOR DESIGN PURPOSES ONLY AND ARE THE SOLE PROPERTY OF EARTHCORE INDUSTRIES. ANY REPRODUCTION OR UNAUTHORIZED USE IS STRICTLY PROHIBITED.
- EARTHCORE/ ISOKERN OR ANY DIVISION THEREOF SHALL NOT BE HELD LIABLE FOR ANY INCIDENTAL OR CONSEQUENTIAL DAMAGES OR EXPENSES ARISING OUT OF THE USE OF THE FIREPLACES OR CHIMNEY SYSTEMS.
- ALWAYS CHECK LOCAL BUILDING CODES GOVERNING FIREPLACES AND FIREPLACE INSTALLATIONS.

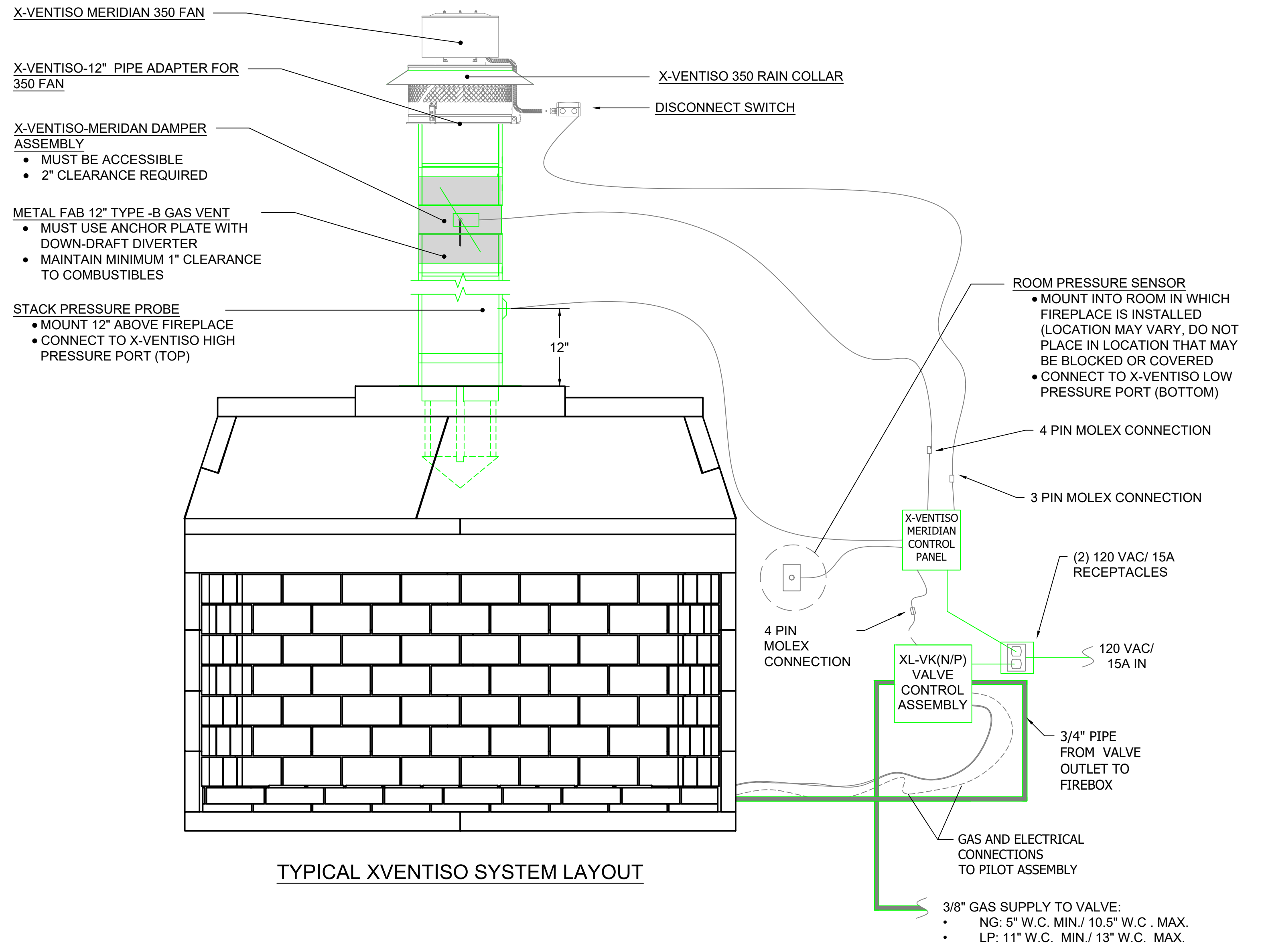
ISOMETRIC VIEW (N.T.S.)



ISOMETRIC VIEW
SCALE: N.T.S.

*REQUIRED XL-VK(N/P) VALVE ASSEMBLY NOT SHOWN

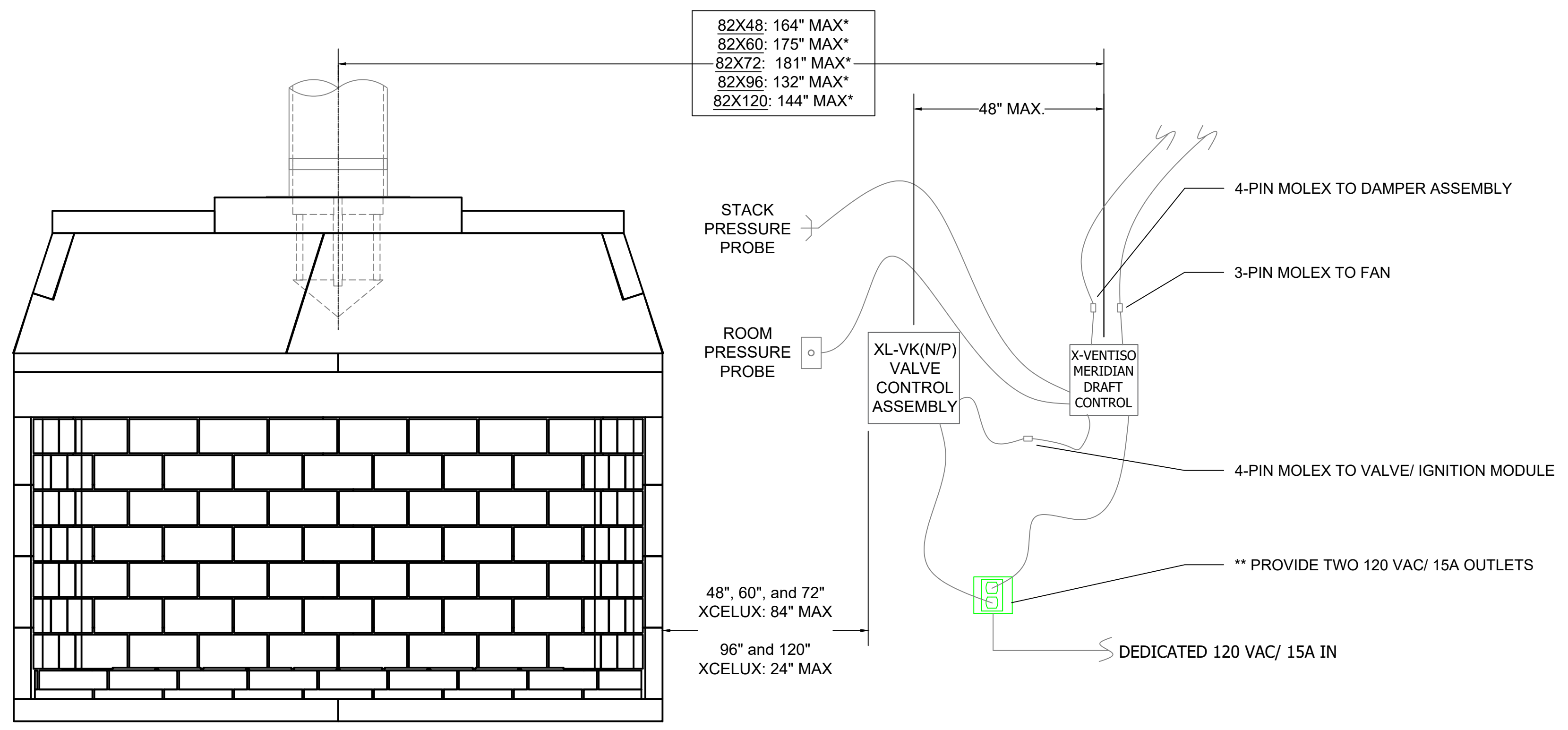
		PROJECT: 72" XCELUX SERIES DESCRIPTION: COMBUSTIBLE FLOOR INSTALLATION W/ CMU MATERIAL: E.C. PUMICE MIXTURE	
UNSPECIFIED TOLERANCES:	THIRD ANGLE PROJECTION	DATE: 10/11/2024	SCALE: 1"=1'-0"
ANG. A ±		APPROVED: K.B.H.	DRAWING #: 82X72
LIN. X ±		DATE:	REV:
XX ±		DO NOT SCALE	SHEET 1 OF 3
XXX ±			



TYPICAL XVENTISO SYSTEM LAYOUT

* Maximum values as shown are derived from length of Molex connectors to the gas valve control assembly.

** Outlet locations must be within the extents of the 72" power supply cables of the Meridian Control Panel and the XL-VK(N/P) Gas Valve/ Control Assembly



XVENTISO AND XL-VK(N/P) LOCATION GUIDELINES

ISOKERN COMPONENT AND ACCESSORIES LIST		
PART #	QTY.	DESCRIPTION
82X72	1	72" XCELUX FIREPLACE
---	---	6"x6"x1/2" STEEL ANGLE; 86" LONG (NOT SUPPLIED BY EARTHORE, SOURCE LOCALLY)
12MDD-EC	1	12in ANCHOR PLATE W/ DRAFT DIVERTER & ISOWOOL
ISFXLB60(N/P)	1	60" ISOFLAMES LINEAR XL BURNER (N: NATURAL GAS/ P: PROPANE)
XL-VK(N/P)	1	200 KBTU GAS VALVE CONTROL BOX (N: NATURAL GAS/ P: PROPANE)
XV-MERDML	1	X-VENTISO-MERIDIAN FAN SYSTEM (CONSISTS OF THE FOLLOWING): <ul style="list-style-type: none"> X-VENTISO-MERIDIAN-350 FAN (XV-MERD-350) X-VENTISO-350 FAN RAIN CAP (XV-350RC) X-VENTISO-12" PIPE ADAPTER FOR 350 FAN (XV-350ADP12) X-VENTISO-MERIDIAN DAMPER ASSEMBLY (XV-MERD-DAMP) X-VENTISO-MERIDIAN ROOM PRESSURE PROBE/ COVER PLATE, STACK PRESSURE PROBE, TUBING (XV-MERD-PRESSKIT) X-VENTISO-MERIDIAN CONTROL PANEL (XV-MERD-CTLR)
---	7	ISOKERN #133: REQUIRED FOR COMBUSTIBLE FLOOR INSTALLATION
---	14	ASTM C90 16X8X8 CMU: REQUIRED FOR ALTERNATE COMBUSTIBLE FLOOR INSTALLATION

- GENERAL NOTES**
- THE ISOKERN 72" XCELUX SERIES FIREPLACE IS A TOP-VENTED, GAS ONLY FIREPLACE THAT IS APPROVED FOR USE ONLY WITH THE ISOFLAMES LINEAR XL BURNER SYSTEM AS SHOWN IN THIS DRAWING (ISFXLB60(N/P)). USAGE OF ANY OTHER BURNER IN THIS FIREPLACE IS PROHIBITED AND WILL ABSOLVE EARTHORE/ ISOKERN OR ANY DIVISION THEREOF FOR ANY INCIDENTAL OR CONSEQUENTIAL DAMAGES OR EXPENSES ARISING OUT OF THE USE OF THIS FIREPLACE.
 - THIS FIREPLACE'S BURNER SYSTEM (ISFXLB60(N/P)) COMES WITH A GAS CONTROL VALVE ASSEMBLY (XL-VK(N/P)) THAT INCLUDES AN AUTOMATIC DRAFT AND SAFETY SYSTEM.
 - THIS APPLIANCE IS ONLY FOR USE WITH THE TYPE OF GAS INDICATED ON THE BURNER RATING PLATE. VERIFY GAS SUPPLY AND BURNER/ VALVE ARE OF SAME TYPE PRIOR TO INSTALLATION.
 - THE EXHAUST FLUE GASES ARE TO BE VENTED THROUGH THE TOP OF THE UNIT WITH 12" METAL-FAB UL LISTED B-VENT PIPING WITH DOWN-DRAFT DIVERTER. THIS TWELVE INCH (12") DIAMETER, DOUBLE WALL B-VENTING SYSTEM IS NOT SUPPLIED BUT IS REQUIRED FOR PROPER OPERATION.
 - THE XCELUX SERIES FIREPLACES SHALL BE INSTALLED WITH THE MINIMUM CLEARANCES TO COMBUSTIBLES AS LISTED BELOW:
 - UNIT FRONT: 0"
 - SIDES AND REAR: 1.5"
 - COMBUSTIBLE SHEATHING ABOVE OPENING TOP: 8"
 - SHEATHING OR TRIM TO OPENING SIDES: 8"
 - MANTEL ABOVE OPENING: 12"
 - OPENING TO SIDEWALLS: 24"
 - HEARTH EXTENSION BEYOND FRONT: 20"
 - HEARTH EXTENSION BEYOND SIDES (FINISHED): 12"
 - COMBUSTIBLE FLOOR: 5" (MUST USE COMBUSTIBLE FLOOR INSTALLATION APPLICATION AS DETAILED IN XCELUX INSTALLATION MANUAL, CONTINUOUS 1-1/4" THICK FIREBRICK FLOOR WITH 2-1/2" THICK FIREBRICK BURNER CAVITY, AND ISOFLAMES LINEAR XL BURNER AND VALVE)
 - INSULATION FROM FIREBOX (UNSHIELDED): 3"
 - A REDUCED HEIGHT APPLICATION OF THIS FIREPLACE MAY BE INSTALLED BY OMITTING ONE COURSE OF BACK AND SIDEWALLS (MAX REDUCTION OF 9-1/2" ALLOWED).
 - THIS DESIGN REQUIRES MECHANICAL VENTILATION ASSISTANCE USING THE X-VENTISO-MERIDIAN FAN SYSTEM FOR GAS-ONLY OPERATION. VENT PATHS ARE LIMITED TO A MAXIMUM OF TWO 90° ELBOWS AND MAY TERMINATE EITHER VERTICALLY OR HORIZONTALLY. REFER TO INSTALLATION MANUAL FOR MAXIMUM VENT LENGTHS AND ADDITIONAL INFORMATION REGARDING FLUE RUNS.
 - ENSURE TWO 120VAC/ 15A OUTLETS ARE PROVIDED FOR GAS VALVE AND X-VENTISO-MERIDIAN CONTROL PANEL IN ACCORDANCE WITH INSTALLATION MANUAL. CONTROLS SHALL BE LOCATED IN ACCESSIBLE LOCATION.
 - ALL ACCESSORIES/ EQUIPMENT INSTALLED WITH THIS FIREPLACE TO BE INSTALLED ACCORDING TO MANUFACTURER'S SPECIFICATIONS.
 - INSTALL AND SUPPORT B-VENT PIPE TO ALL MANUFACTURER SPECIFICATIONS. ENSURE MIN. 1" CLEARANCE TO COMBUSTIBLES IS KEPT AT ALL TIMES.
 - IMPORTANT: THE X-VENTISO-MERIDIAN DAMPER ASSEMBLY REQUIRES 2" CLEARANCE TO COMBUSTIBLES WITH HEAT SHIELD INSTALLED. IF HEAT SHIELD IS NOT INSTALLED, THIS CLEARANCE INCREASES TO 18".
 - DRAWINGS ARE FOR DESIGN PURPOSES ONLY AND ARE THE SOLE PROPERTY OF EARTHORE INDUSTRIES. ANY REPRODUCTION OR UNAUTHORIZED USE IS STRICTLY PROHIBITED.
 - EARTHORE/ ISOKERN OR ANY DIVISION THEREOF SHALL NOT BE HELD LIABLE FOR ANY INCIDENTAL OR CONSEQUENTIAL DAMAGES OR EXPENSES ARISING OUT OF THE USE OF THE FIREPLACES OR CHIMNEY SYSTEMS.
 - ALWAYS CHECK LOCAL BUILDING CODES GOVERNING FIREPLACES AND FIREPLACE INSTALLATIONS.

	UNLESS OTHERWISE STATED, ALL DIMENSIONS ARE IN INCHES		PROJECT: 72" XCELUX SERIES	
	UNSPECIFIED TOLERANCES	THIRD ANGLE PROJECTION	DESCRIPTION: XVENTISO AND XL-VK(N/P) LAYOUT AND LOCATIONS	
ANG. A ±		MATERIAL: E.C. PUMICE MIXTURE		
LIN. X ±		DRAWN: K.B.H.	DATE: 10/11/2024	SIZE: D
XX ±		APPROVED:	DATE:	SCALE: N.T.S.
XXX ±				DRAWING #: 82X72
DO NOT SCALE SHEET 4 OF 5				

Rough Framing Dimensions

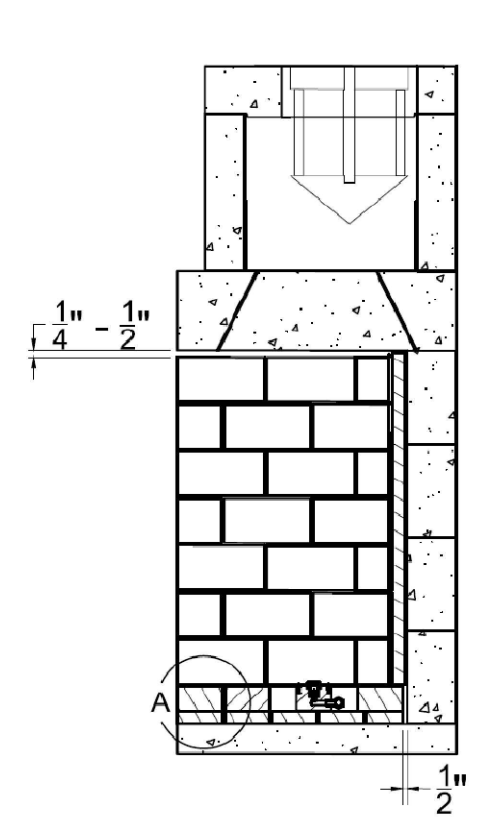
Table with 4 columns: Model #, A - Width, B - Height, C - Depth. Rows include models 82X48, 82X60, 82X72, 82X96, and 82X120.

NOTES:

- 1) "B" includes the required 3" thick base plate.
2) Rough framing dimension for Height "B" will need to be increased by height of Isokern #133 or 8" CMU Block if they are used.
3) If the XCELUX installation is to be elevated, this "Raised hearth" installation will require additional rough opening height at "B" that is equal to the height of the raised hearth.
4) Rough framing dimension for depth "C" allows for the required 1-1/2" clearance at the back of the fireplace. Note that this 29-1/2" is typically used on interior walls that do not have insulation present.

IMPORTANT: Unless the insulation on an exterior wall is installed behind plywood sheathing, a depth of 31" is often used to account for the required 3" clearance to insulation. Even with this increased distance, the installer should be aware that spray foam insulation may expand past the face of the stud wall and will require trimming prior to firebox installation to maintain the required 3" clearance. It is important that any insulation that is not installed behind sheathing shall be installed in such a manner that it cannot fall on the firebox and encroach on this clearance.

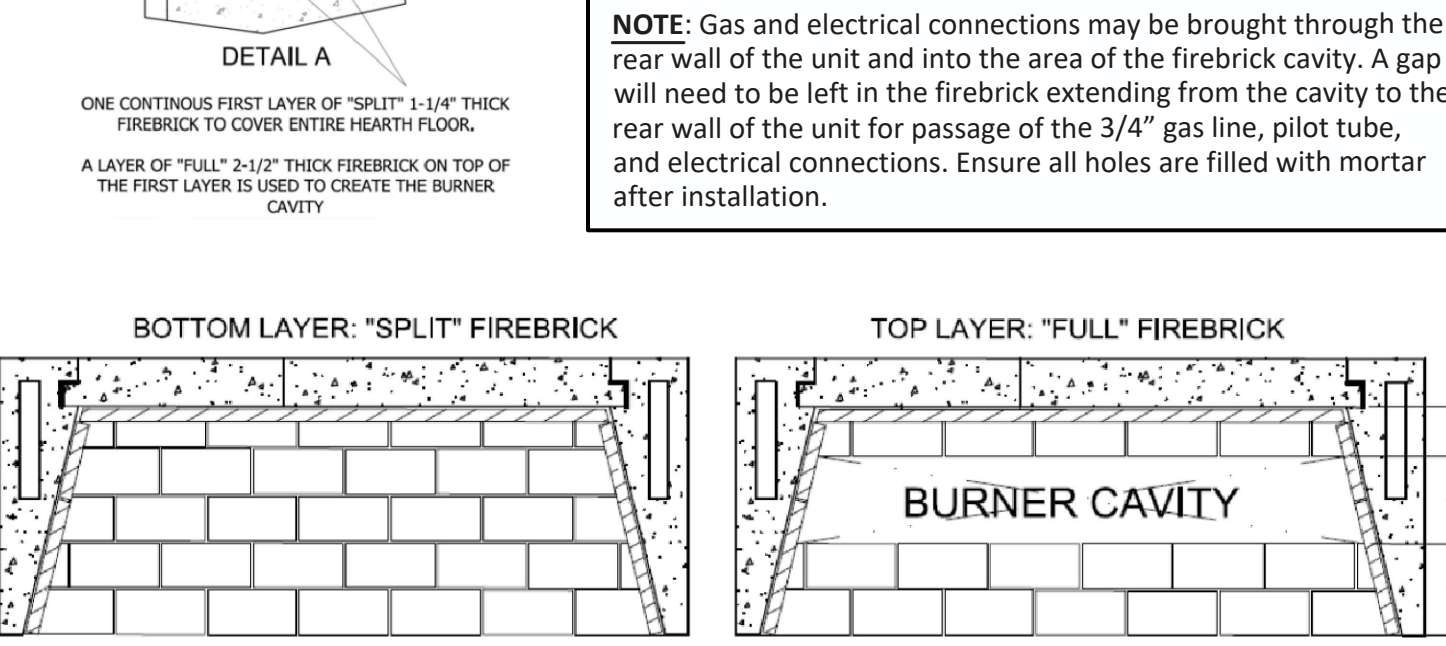
Firebrick Installation - XCELUX Fireplace



- 1) Start the "Split" firebrick at the front edge of the floor of the Isokern firebox, proceeding inward toward the back. Let the floor brick gap approximately 1/2" off the back wall and side walls. This air space allows heat expansion of the firebrick and is to be left empty of mortar.
2) Starting approximately 1/2" from the rear of the firebox, lay one course of "Full" sized firebrick on top of "Split" firebrick floor. Ensure a gap of approximately 1/2" is kept between firebrick and sidewall to allow for expansion.
3) Lay two courses of "Full" sized firebrick so that the leading edge of the coursing is aligned with opening of the firebox. Ensure a gap of approximately 1/2" is kept between firebrick and sidewall to allow for expansion.
4) Apply "Split" firebrick to the rear wall of the unit. Ensure approximately 1/2" gap is kept between firebrick and sidewall, as well as an 1/4" gap is kept between firebrick and damper beam assembly to allow for expansion.
5) Starting at the front edge of the unit's sidewall, apply "Split" firebrick to the side wall of the unit. Ensure approximately 1/2" gap is kept between firebrick and damper beam/damper block assembly to allow for expansion.
6) Repeat on opposite side wall.

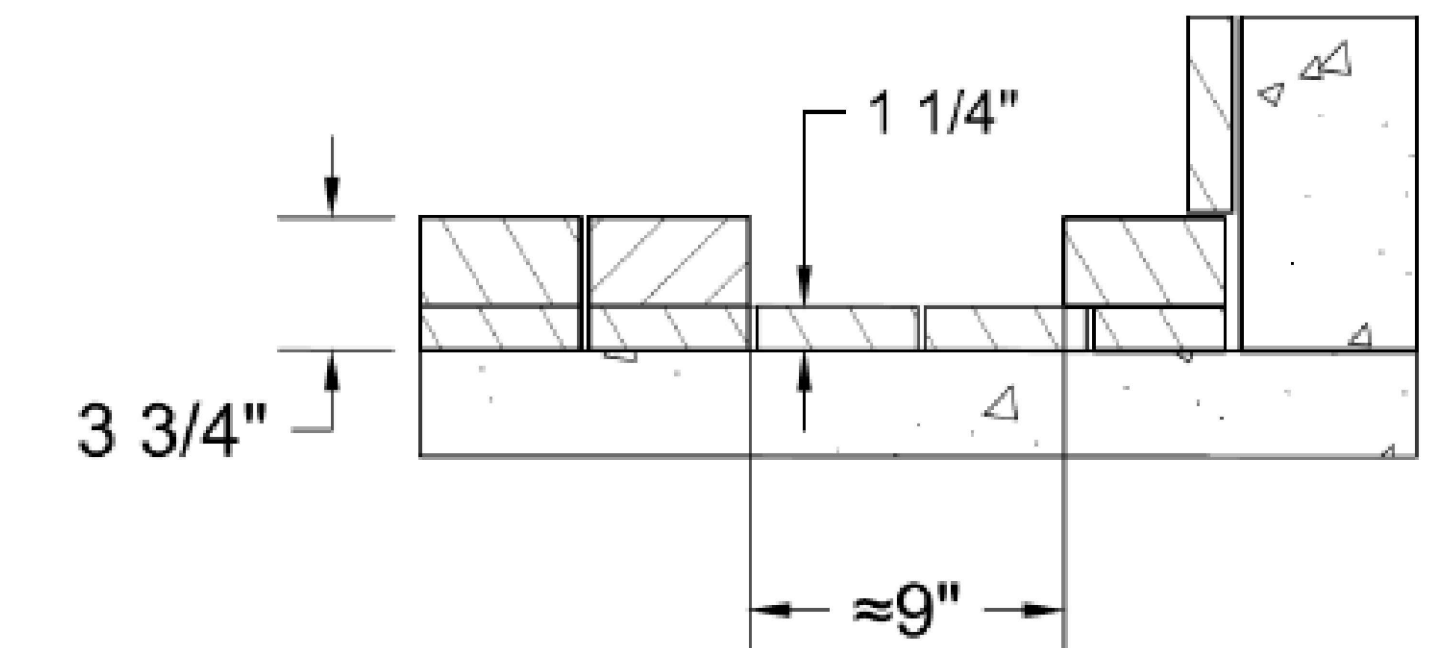
IMPORTANT: Ensure that the required holes for the Isoflames XL Burner's 3/4" gas supply line and pilot assembly gas and electrical connections are drilled prior to firebrick installation. DO NOT COVER THESE AREAS WITH FIREBRICK!

NOTE: Gas and electrical connections may be brought through the rear wall of the unit and into the area of the firebrick cavity. A gap will need to be left in the firebrick extending from the cavity to the rear wall of the unit for passage of the 3/4" gas line, pilot tube, and electrical connections. Ensure all holes are filled with mortar after installation.



Burner Cavity Construction

Table with 4 columns: Burner Model, Height, Width, Length. Rows include models ISFXLB36, ISFXLB48, ISFXLB60, ISFXLB72, and ISFXLB96.



Flooring System

NONCOMBUSTIBLE FLOORS

XCELUX Fireplaces must be built upon a concrete support slab with no wood underpinnings. Proper reinforced concrete support slab for fireplace installations may include the following types:
1. Slab on grade: standard residential, minimum four inch (4") thick, 2500 psi concrete foundation on properly compacted fill.
2. Off-grade slab on foundation walls and footings: Projects with off-grade floor systems as well as upper-story installations require this type of support. When building off-grade support slabs the code required hearth extension substrate should be built as a continuation of the support slab for the fireplace unit. Supports for off-grade slabs must be concrete or steel and capable of supporting the slab, Isokern unit, and the chimney.

NOTE: For multi-floor and back-to-back installations proper weight computation on an individual basis is required. Consult a local structural engineer for load bearing requirements.

IMPORTANT: Foundations and footings must meet local code and be approved by the local building authority. For any foundation design and load requirements check with a local structural engineer. It is the responsibility of the General Contractor to ensure adequate foundations.

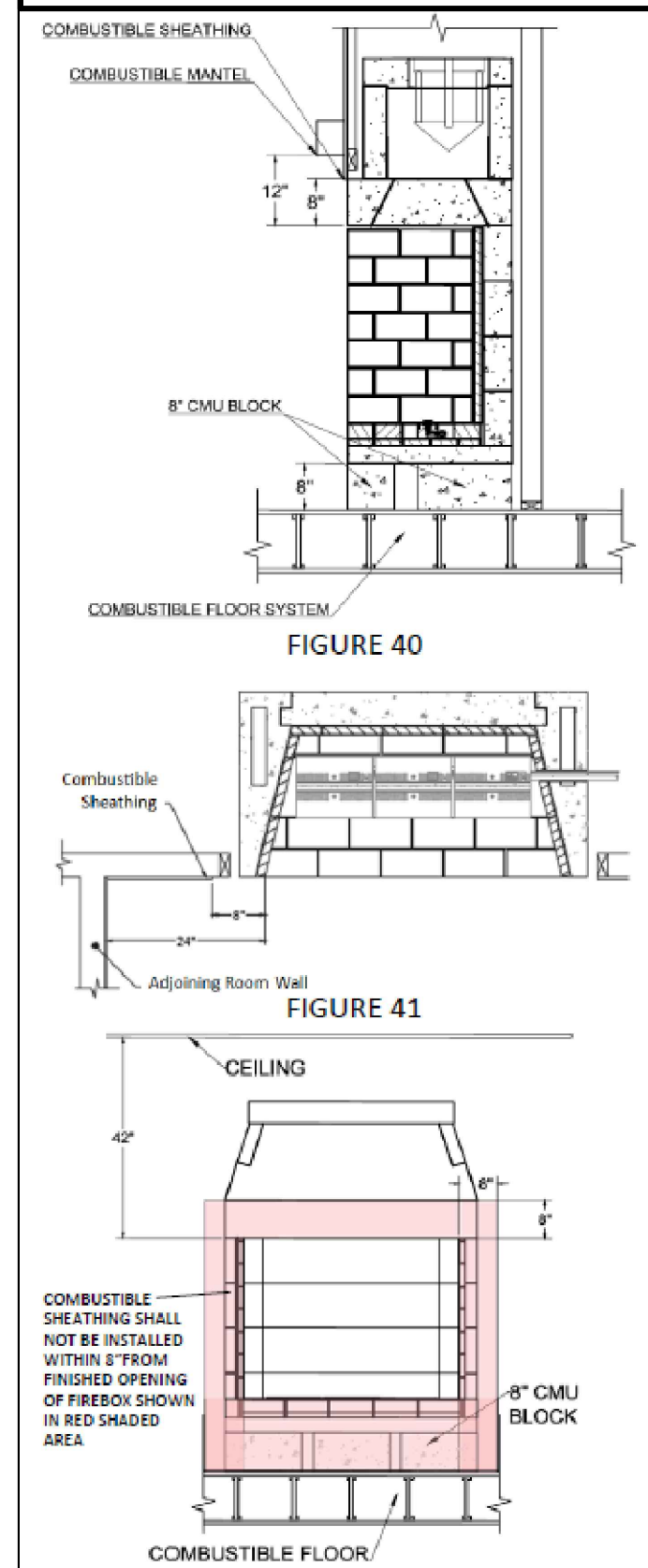
For a raised hearth (floor of the firebox elevated above the room's noncombustible floor), the XCELUX base plate can be set on a Isokern #133, CMU Block, or poured concrete platform that is built up to the desired raised hearth height on the concrete support slab. When calculating raised hearth height, be sure to allow for the three inch (3") thick base plate plus the one and one-half inch (1-1/2") thick fire brick floor in addition to the height of the concrete block platform. CMU used for base plate support should be rated ASTM 90.

COMBUSTIBLE FLOORS

For installation on combustible floor, 5" thick Isokern material (Part #133) or alternatively 8" CMU block may be used to create the required clearance to combustible between the firebox and combustible floor system. See Table 1 and 2 for block layout pattern and spacing.

Diagrams showing block layout patterns for CMU blocks and Isokern #133 blocks. Includes Table 1 (Isokern) and Table 2 (CMU Block) with columns for Model, Quantity, Spacing (A), Front Spacing (B), and Rear Spacing (C).

Clearance to Combustible Trim



NOTE: "Clearance to Combustible Trim" are those distances required to ensure that a fireplace mantel or facing will not catch fire. In most cases the distances should also be adequate to prevent any discoloration or warping due to heat. However, each installation presents a unique and completely different set of circumstances involving many variables. These variables include paint or finish composition, previous exposure to heat, methods and quality of construction, air flow patterns, etc. Because of these variables, the manufacturer does not guarantee that heat warping, or discoloration will never occur.

MANTEL AND MANTEL SHELF CLEARANCES:

XCELUX units are designed to be installed so that the rough front face(s) of the Isokern firebox and smoke dome sit flush with the face of the rough framing members that create the room wall finish.

All combustible trim projecting less than one-and one-half inch (1-1/2") from this plane must be kept a minimum of eight inches (8") from the sides/top of the firebox openings.

All combustible trim projecting more than one and one-half inch (1-1/2") must be kept a minimum of twelve inches (12") from the fireplace opening.

Parts of the combustible mantel assembly located along the sides of the fireplace opening, which project more than one-and one-half inches (1-1/2") from the face of the fireplace, shall have additional clearance equal to that of the projection.

Parts of the combustible mantel assembly located above and projecting more than one- and one-half inches (1- 1/2") from the fireplace opening shall not be placed less than twelve inches (12") from the top of the fireplace opening

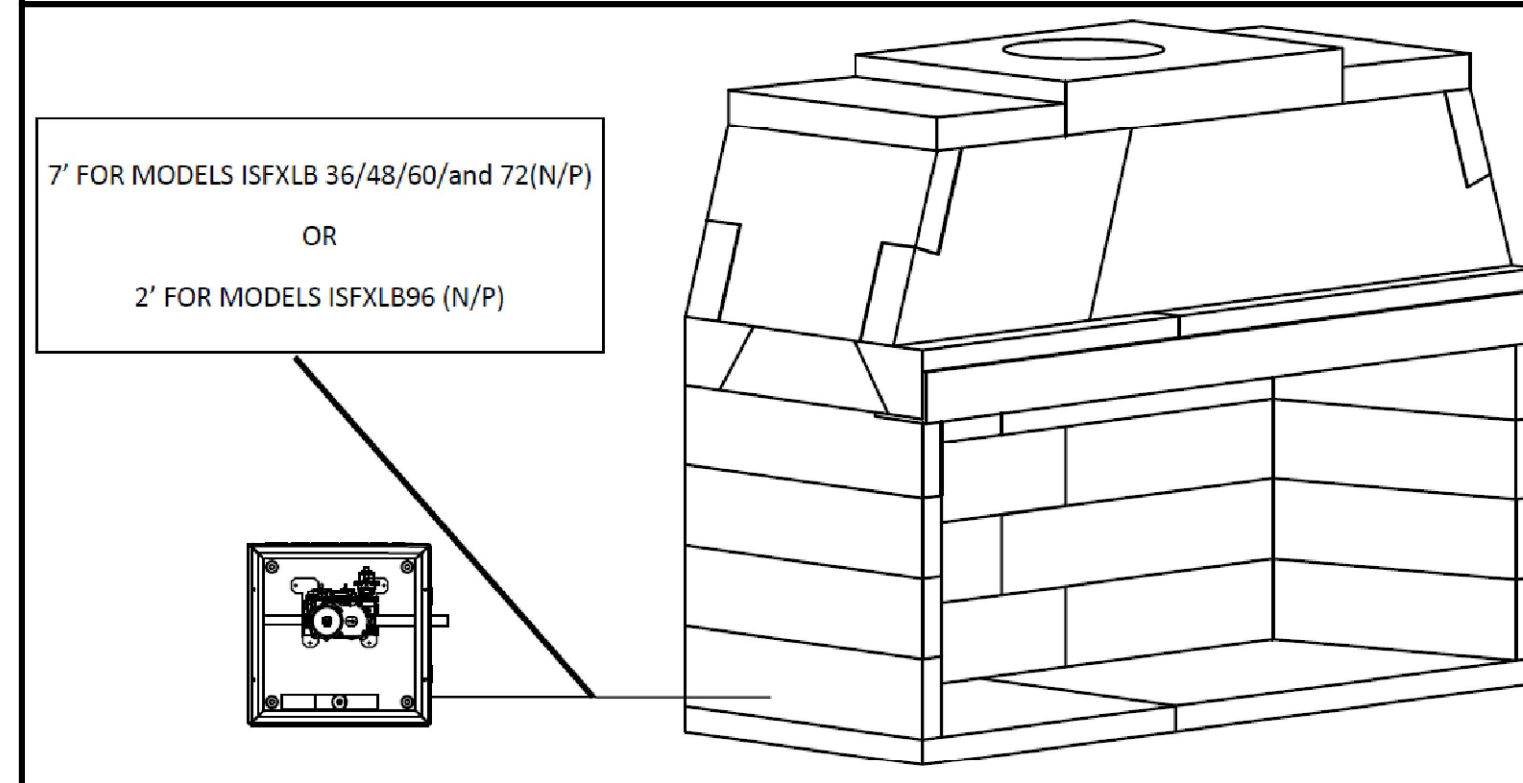
ADJOINING WALLS:

Side walls and walls to rooms adjoining the Isokern fireplace installation cannot be closer than twenty-four inches (24") to the finished fireplace opening.

CEILINGS:

The minimum clearance from the top of the fireplace opening to a ceiling is forty-two inches (42").

XL-VK(N/P) Valve Location



XCELUX Series (Gas Only) Specifications

MANUFACTURER: ISOKERN Fireplace and Chimney Systems, North America distribution by Earthcore Industries, LLC, Jacksonville, Florida (Telephone 800-642-2920)

PRODUCT DESCRIPTION: Modular refractory masonry precast fireplace and chimney system.
1. Designed for field assembly as a fireplace and B-vent chimney system.
2. All interlocking parts necessary for assembly of a complete firebox and smoke dome.
3. Isoflames XL Linear Burner and XL Valve system (per installation manual)
4. 12" B-vent chimney flue (per installation manual)
5. Mechanical draft system (per installation manual)
6. Combustible floor installation requires model specific combustible floor installation application as detailed in XCELUX instruction manual

MATERIALS:
A. Light weight concrete of a proprietary mixture of Icelandic volcanic aggregate and aluminum cement for precast firebox, chimney block and flue liner components.
1. Compressive Strength: Firebox Block: 972 psi.
B. Premixed (dry) EARTHCORE ADHESIVE.
1. Tensile strength: 807 psi; Compressive strength: 2460 psi.
2. Tested per ASTM C109, ASTM C307, and ANSI 118.4.
C. Standard 1-1/8" high temperature refractory brick to line firebox interior walls.
D. Standard 1-1/8" high temperature refractory brick to line firebox floor.
E. Standard 2-1/2" high temperature refractory brick to create burner cavity on top of 1-1/8" thick firebrick floor.

INSTALLATION:
A. Reference manufacturer's installation instructions for standard configurations, weights, sizes and installation details.
B. Suitable masonry foundation or structural wood floor system must be provided. Combustible floor installation requires combustible floor installation application as detailed in XCELUX instruction manual
C. Non combustible hearth extensions must be provided.
D. Unit to be assembled on site per manufacturer's illustrated instructions.
1. Premixed EARTHCORE ADHESIVE is used at all joints between components.
2. Firebox to be lined with a minimum 1-1/8" rated firebrick on the walls and floor. An additional 2-1/2" rated firebrick trough is created on top of firebrick floor for Isoflames XL Linear Burner installation.
3. A 1-1/2" minimum clearance to combustible materials is required for firebox side and back-walls.
4. A 3" minimum clearance to insulation required.
E. Shall be installed only with the approved Isoflames XL Linear Burner and XL Valve System as detailed in the instruction manual.
F. Installation must use 12" B-vent pipe as detailed in the instruction manual (Anchor Plate with Down-Draft Diverter required).
G. Only approved mechanical draft systems shall be utilized, as detailed in the instruction manual.

CERTIFICATION:
A. PFS Corporation, PFS Report No. F24-349
B. Meets or exceeds ANSI Z 21.50-2019, CSA 2.22-2014

NOTE: Isokern components are a natural material and slight variations in dimensions may occur. These should be no more than 1/8".

Weights and Load Calculations

Floor framing for XCELUX installation will need to be designed and built to accept substantial dead loads spread over a relatively small floor area. The following weights and sizes can be used to calculate loading. It is the contractor's responsibility to provide adequate floor system load capacity.

WEIGHTS AND LOAD CALCULATIONS Total dead load amounts include (but are not necessarily limited to) the following items and their corresponding weight estimates as listed below:
1. Isokern unit weights:
a) XCELUX - 48: 1,645 lbs. (no burner, flue, or accessories)
b) XCELUX - 60: 2,115 lbs. (includes steel angle, but no burner, flue, or accessories)
c) XCELUX - 72: 2,420 lbs. (includes steel angle; but no burner, flue, or accessories)
d) XCELUX - 96: 3,000 lbs. (includes steel angle; but no burner, flue, or accessories)
e) XCELUX - 120: 3,550 lbs. (includes steel angle; but no burner, flue, or accessories)
2. Approximate weight of glass media: 100 lbs.
3. Fire brick and Adhesive: 350 lbs.- 2000 lbs. depending on brick size and pattern
4. Facing material: per general contractor
5. B-Vent metal flue: per manufacturer and installation requirements

NOTE: Raised hearth applications with Isokern Support Blocks or CMU Blocks increases dead load weight

The floor area for each model is as follows:
a. XCELUX - 48: @ 53" x 28" = 10.3 sq. ft.
b. XCELUX - 60: @ 73 x 1/2" x 28" = 14.3 sq. ft.
c. XCELUX - 72: @ 85 x 3/4" x 28" = 16.67 sq. ft.
d. XCELUX - 96: @ 108 x 1/4" x 28" = 21.04 sq. ft.
e. XCELUX - 120: @ 131 x 3/4" x 28" = 25.62 sq. ft.

Earthcore is not responsible for structural floor support details for this fireplace system. Unless otherwise noted all floor framing drawings in this manual are merely illustrations to indicate the presence of an underlying floor system. Consult your local structural engineer for proper floor system design, sizing, and specifications.

PFS ISOKERN GAS FIREPLACE ISOFLAMES MADE IN THE USA. Includes model selection checkboxes, BTU ratings, and safety warnings.

SCAN QR CODE FOR LATEST INSTALLATION MANUALS



Project information including Earthcore Industries, LLC logo, project name '72" XCELUX SERIES', drawing number '82X72', and date '10/1/2024'.