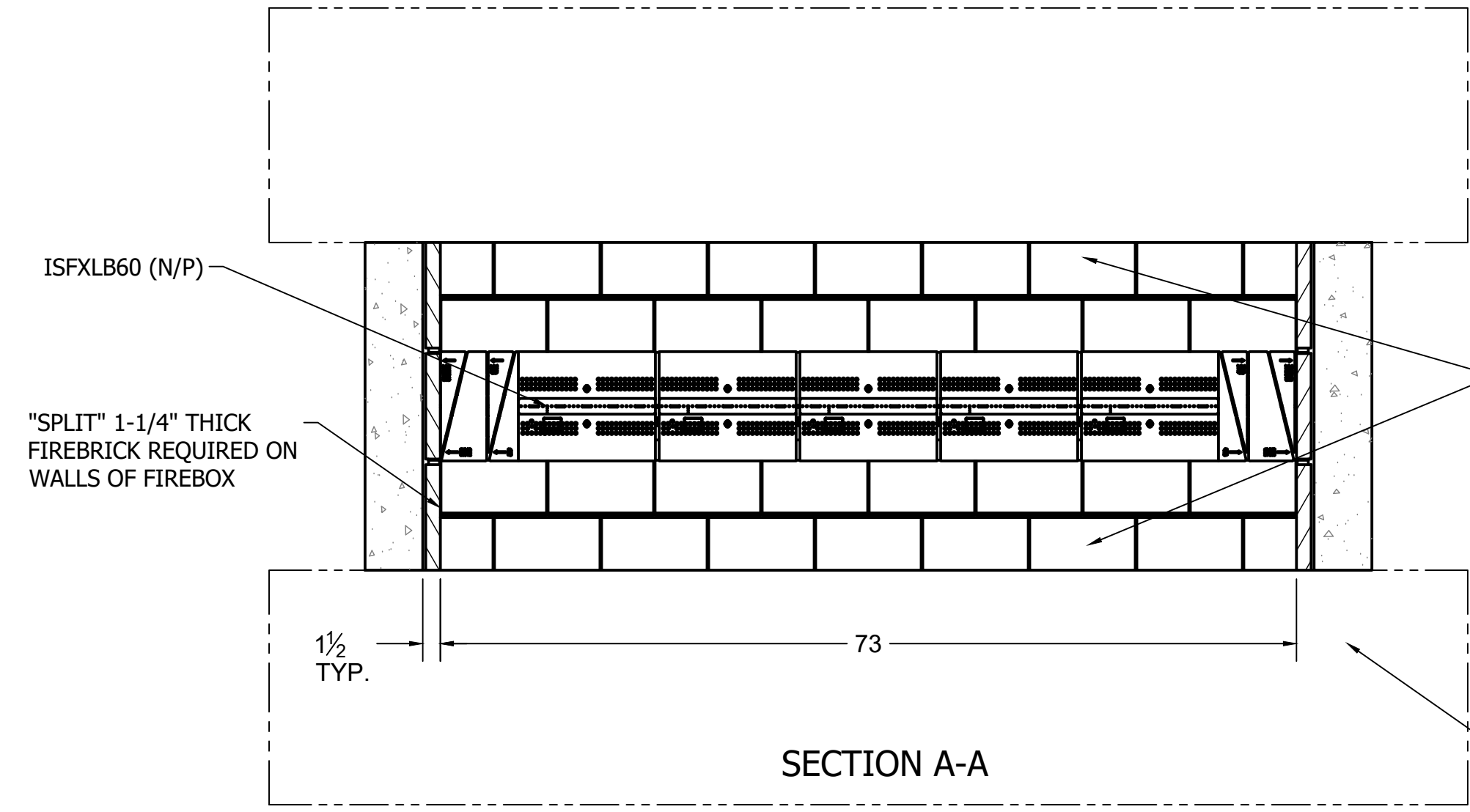


TOP

12" B-VENT PIPE W/ DOWN-DRAFT DIVERTER; X-VENTISO-MERIDIAN FAN SYSTEM REQUIRED.

FRAME OPENINGS TO 15"X15" CLEAR TO MAINTAIN MIN. 1" CLEARANCE TO COMBUSTIBLES



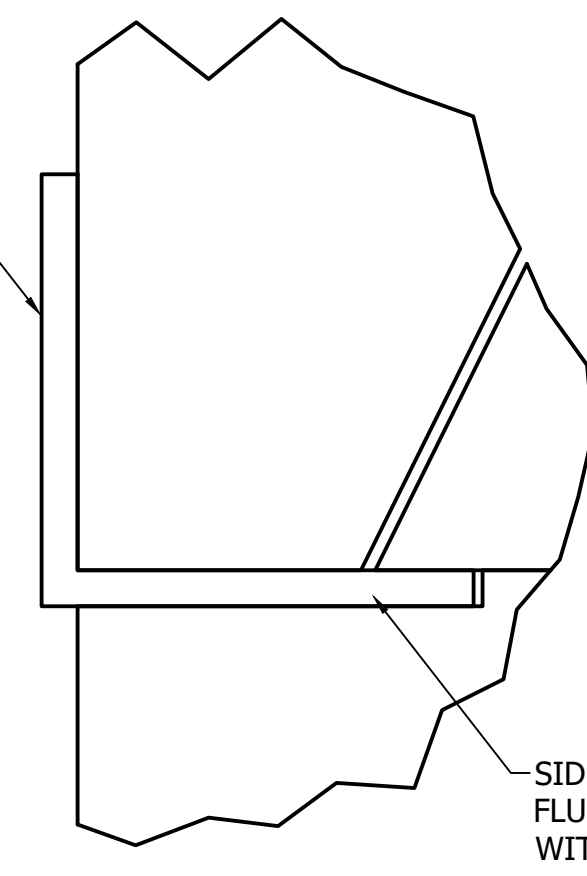
SECTION A-A

BEGIN COURSING AT FRONT EDGE OF BASE PLATE.

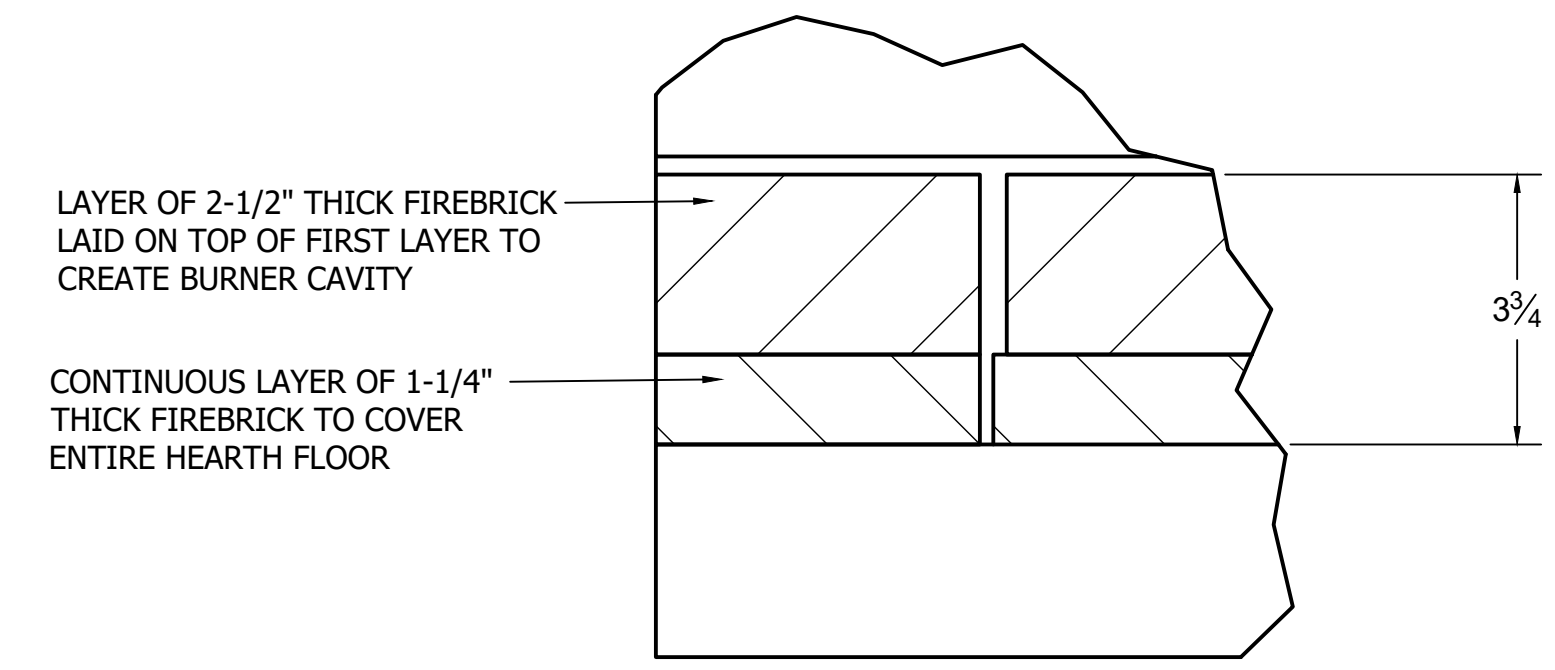
THE REQUIRED HEARTH EXTENSION SHALL EXTEND A MINIMUM OF 20" TO THE FRONT AND 12" TO THE SIDES OF FIREBOX'S FINISHED OPENING.

6" X 6" 1/2" STEEL ANGLE; 86" LONG REQUIRED TO SPAN OPENING ON BOTH SIDES OF FIREBOX.

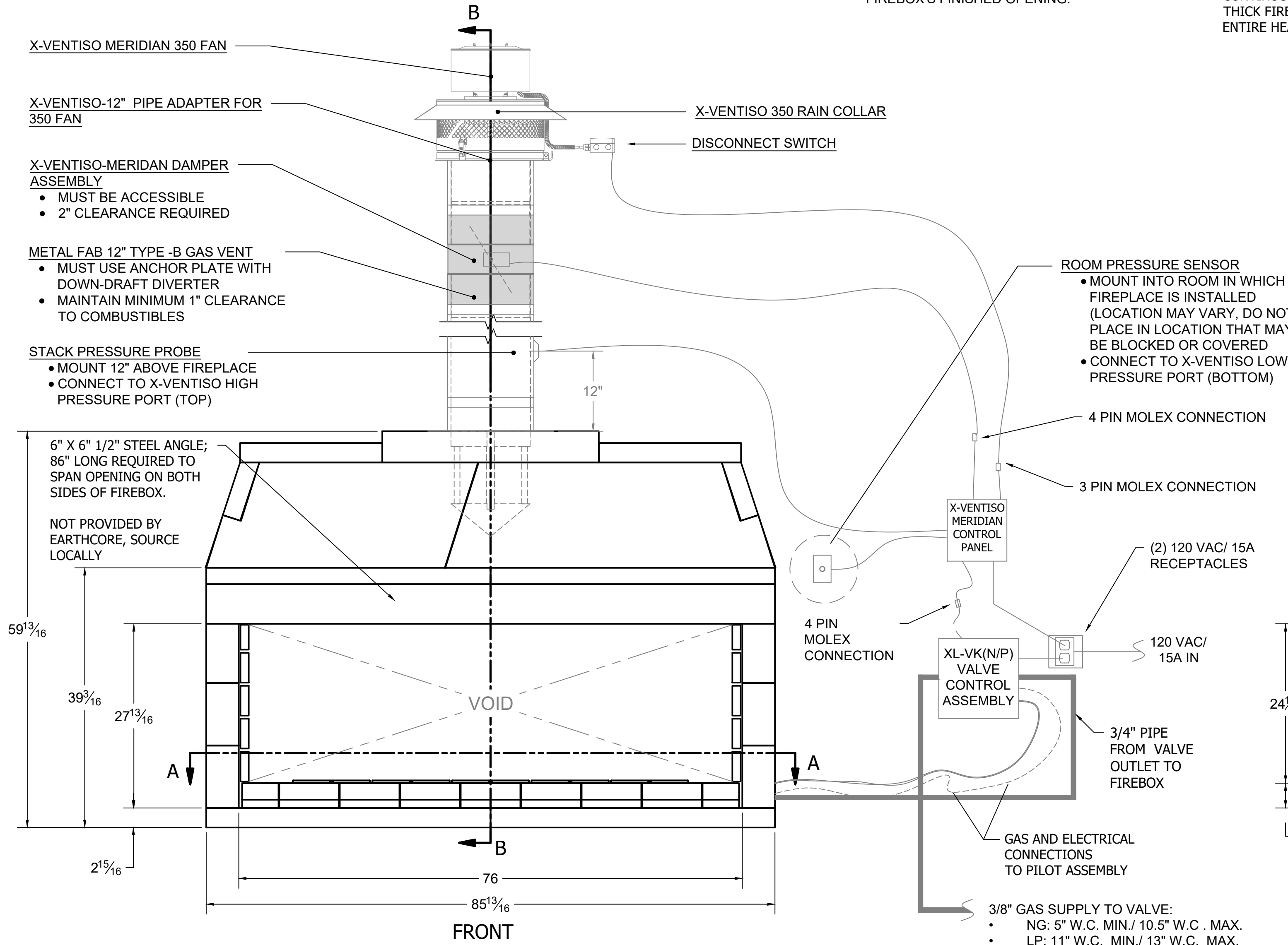
NOT PROVIDED BY EARTHCORE, SOURCE LOCALLY



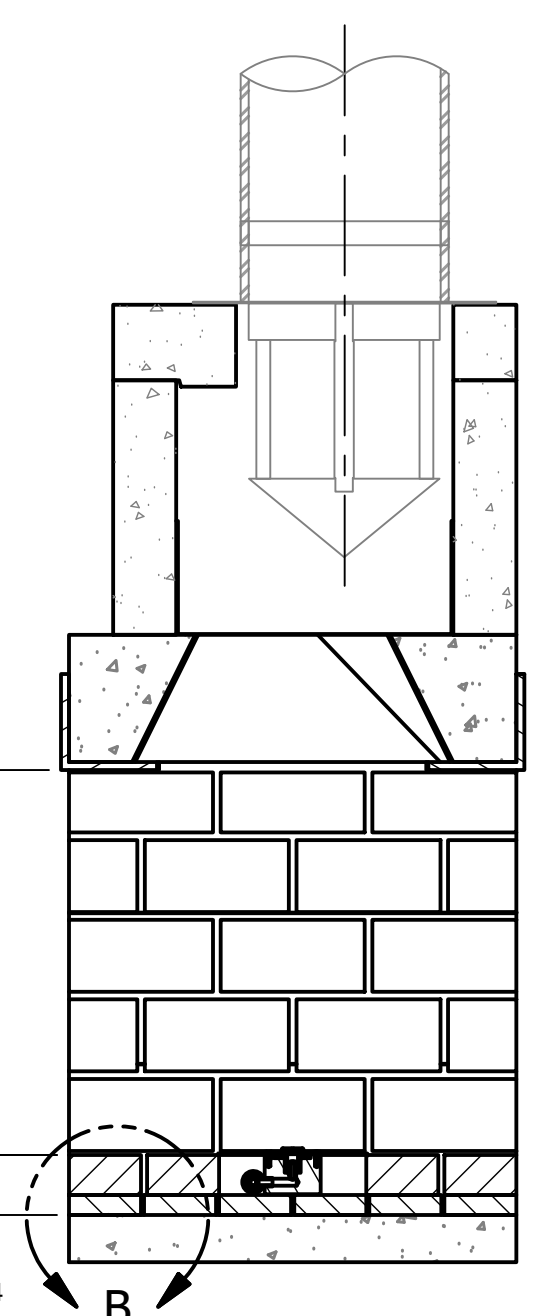
DETAIL A SCALE .375



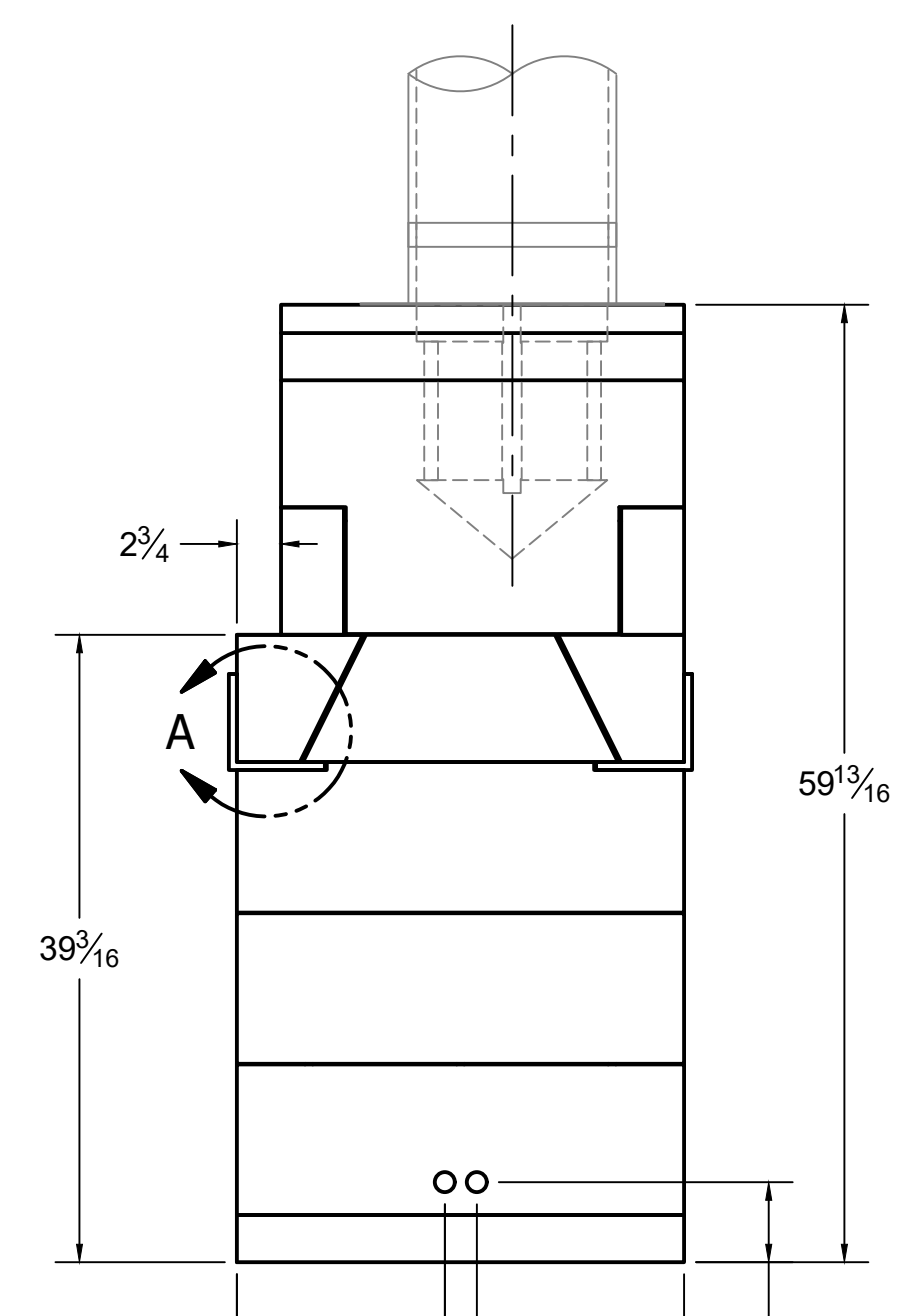
DETAIL B SCALE .375



FRONT



SECTION B-B



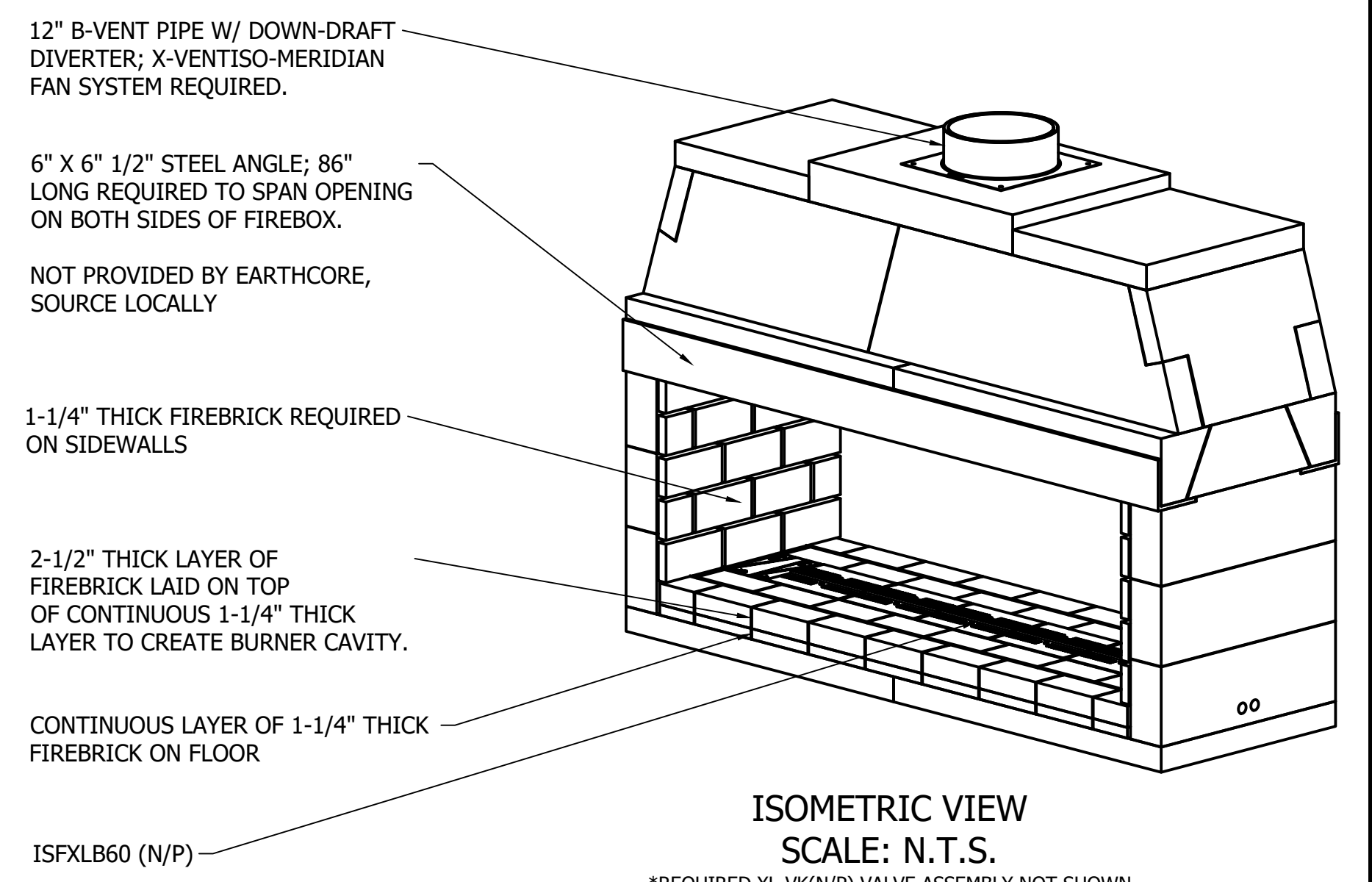
RIGHT

ISOKERN COMPONENT AND ACCESSORIES LIST		
PART #	QTY.	DESCRIPTION
82X72ST	1	72" XCELUX SEE-THRU FIREPLACE
12MDD-EC	1	6"X6"X1/2" STEEL ANGLE; 85-7/8" LONG (NOT SUPPLIED BY EARTHCORE, SOURCE LOCALLY)
ISFXLB60(N/P)	1	12in ANCHOR PLATE W/ DRAFT DIVERTER & ISOWOOL
XL-VK(N/P)	1	60" ISOFLAMES LINEAR XL BURNER (N: NATURAL GAS/ P: PROPANE)
XV-MERDML	1	200 kBTU GAS VALVE CONTROL BOX (N: NATURAL GAS/ P: PROPANE)
		X-VENTISO-MERIDIAN FAN SYSTEM (CONSISTS OF THE FOLLOWING:)
		• X-VENTISO-MERIDIAN-350 FAN (XV-MERD-350)
		• X-VENTISO-350 FAN RAIN CAP (XV-350RC)
		• X-VENTISO-12" PIPE ADAPTER FOR 350 FAN (XV-350ADP12)
		• X-VENTISO-MERIDIAN DAMPER ASSEMBLY (XV-MERD-DAMP)
		• X-VENTISO-MERIDIAN ROOM PRESSURE PROBE/ COVER PLATE, STACK PRESSURE PROBE, TUBING (XV-MERD-PRESSKIT)
		• X-VENTISO-MERIDIAN CONTROL PANEL (XV-MERD-CTLR)

GENERAL NOTES

- THE ISOKERN 72" XCELUX SEE-THRU SERIES FIREPLACE IS A TOP-VENTED, GAS ONLY FIREPLACE THAT IS APPROVED FOR USE ONLY WITH THE ISOFLAMES LINEAR XL BURNER SYSTEM AS SHOWN IN THIS DRAWING (ISFXLB60N/P). USAGE OF ANY OTHER BURNER IN THIS FIREPLACE IS PROHIBITED AND WILL ABSOLVE EARTHCORE/ ISOKERN OR ANY DIVISION THEREOF FOR ANY INCIDENTAL OR CONSEQUENTIAL DAMAGES OR EXPENSES ARISING OUT OF THE USE OF THIS FIREPLACE.
- THIS FIREPLACE'S BURNER SYSTEM (ISFXLB60(N/P)) COMES WITH A GAS CONTROL VALVE ASSEMBLY (XL-VK(N/P)) THAT INCLUDES AN AUTOMATIC DRAFT AND SAFETY SYSTEM.
- THIS APPLIANCE IS ONLY FOR USE WITH THE TYPE OF GAS INDICATED ON THE BURNER RATING PLATE. VERIFY GAS SUPPLY AND BURNER/ VALVE ARE OF SAME TYPE PRIOR TO INSTALLATION.
- THE EXHAUST FLUE GASES ARE TO BE VENTED THROUGH THE TOP OF THE UNIT WITH 12" METAL-FAB UL LISTED B-VENT PIPING WITH DOWN-DRAFT DIVERTER. THIS TWELVE INCH (12") DIAMETER, DOUBLE WALL B-VENTING SYSTEM IS NOT SUPPLIED BUT IS REQUIRED FOR PROPER OPERATION.
- THE XCELUX SEE-THRU SERIES FIREPLACES SHALL BE INSTALLED WITH THE MINIMUM CLEARANCES TO COMBUSTIBLES AS LISTED BELOW:
 - UNIT FRONT: 0"
 - SIDES AND REAR: 1.5"
 - COMBUSTIBLE SHEATHING ABOVE OPENING TOP: 8"
 - SHEATHING OR TRIM TO OPENING SIDES: 8"
 - MANTEL ABOVE OPENING: 12"
 - OPENING TO SIDEWALLS: 24"
 - HEARTH EXTENSION BEYOND FRONT: 20"
 - HEARTH EXTENSION BEYOND SIDES (FINISHED): 12"
 - COMBUSTIBLE FLOOR: 5" (MUST USE COMBUSTIBLE FLOOR INSTALLATION APPLICATION AS DETAILED IN XCELUX INSTALLATION MANUAL, CONTINUOUS 1-1/4" THICK FIREBRICK FLOOR WITH 2-1/2" THICK FIREBRICK BURNER CAVITY, AND ISOFLAMES LINEAR XL BURNER AND VALVE)
 - INSULATION FROM FIREBOX (UNSHIELDED): 3"
- THIS DESIGN REQUIRES MECHANICAL VENTILATION ASSISTANCE USING THE X-VENTISO-MERIDIAN FAN SYSTEM FOR GAS-ONLY OPERATION. VENT PATHS ARE LIMITED TO A MAXIMUM OF TWO 90° ELBOWS AND MAY TERMINATE EITHER VERTICALLY OR HORIZONTALLY. REFER TO INSTALLATION MANUAL FOR MAXIMUM VENT LENGTHS AND ADDITIONAL INFORMATION REGARDING FLUE RUNS.
- ENSURE TWO 120VAC/ 15A OUTLETS ARE PROVIDED FOR GAS VALVE AND X-VENTISO-MERIDIAN CONTROL PANEL IN ACCORDANCE WITH INSTALLATION MANUAL. CONTROLS SHALL BE LOCATED IN ACCESSIBLE LOCATION.
- ALL ACCESSORIES/ EQUIPMENT INSTALLED WITH THIS FIREPLACE TO BE INSTALLED ACCORDING TO MANUFACTURER'S SPECIFICATIONS.
- INSTALL AND SUPPORT B-VENT PIPE TO ALL MANUFACTURER SPECIFICATIONS. ENSURE MIN.1" CLEARANCE TO COMBUSTIBLES IS KEPT AT ALL TIMES.
- IMPORTANT: THE X-VENTISO-MERIDIAN DAMPER ASSEMBLY REQUIRES 2" CLEARANCE TO COMBUSTIBLES WITH HEAT SHIELD INSTALLED. IF HEAT SHIELD IS NOT INSTALLED, THIS CLEARANCE INCREASES TO 18".
- DRAWINGS ARE FOR DESIGN PURPOSES ONLY AND ARE THE SOLE PROPERTY OF EARTHCORE INDUSTRIES. ANY REPRODUCTION OR UNAUTHORIZED USE IS STRICTLY PROHIBITED.
- EARTHCORE/ ISOKERN OR ANY DIVISION THEREOF SHALL NOT BE HELD LIABLE FOR ANY INCIDENTAL OR CONSEQUENTIAL DAMAGES OR EXPENSES ARISING OUT OF THE USE OF THE FIREPLACES OR CHIMNEY SYSTEMS.
- ALWAYS CHECK LOCAL BUILDING CODES GOVERNING FIREPLACES AND FIREPLACE INSTALLATIONS.

ISOMETRIC VIEW (N.T.S.)



ISOMETRIC VIEW SCALE: N.T.S.

earthcore INDUSTRIES, L.L.C.

UNLESS OTHERWISE STATED, ALL DIMENSIONS ARE IN INCHES

PROJECT: 72" XCELUX SEE-THRU SERIES

DESCRIPTION: NONCOMBUSTIBLE FLOOR INSTALLATION

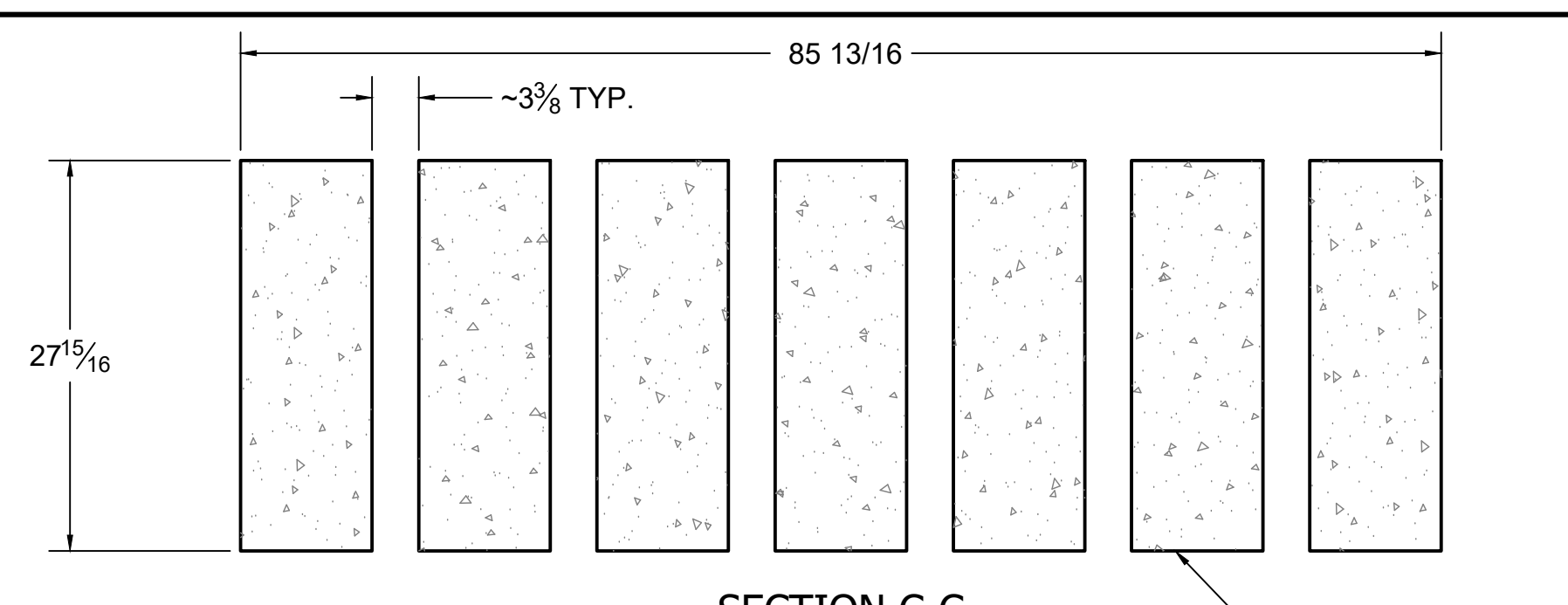
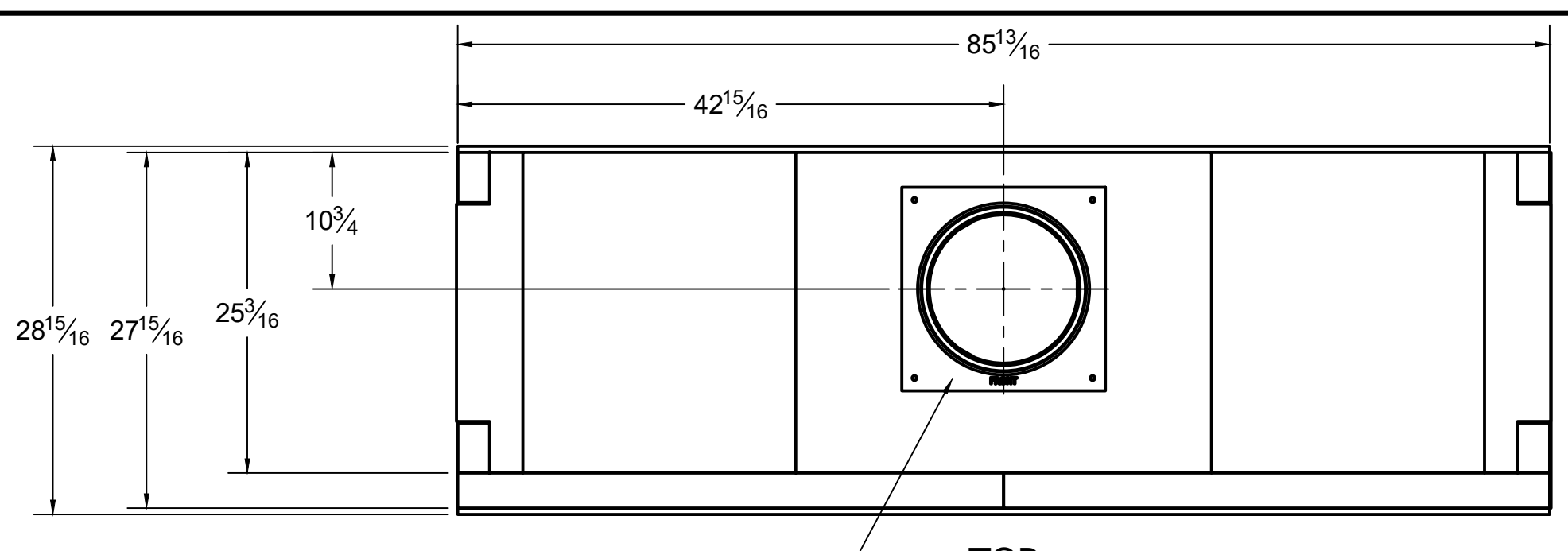
MATERIAL: E.C. PUMICE MIXTURE

DRAWN: K.B.H. DATE: 10/11/2024

APPROVED: DATE:

SIZE: D SCALE: 1"=1'-0" DRAWING #: 82X72ST

DO NOT SCALE SHEET 1 OF 3



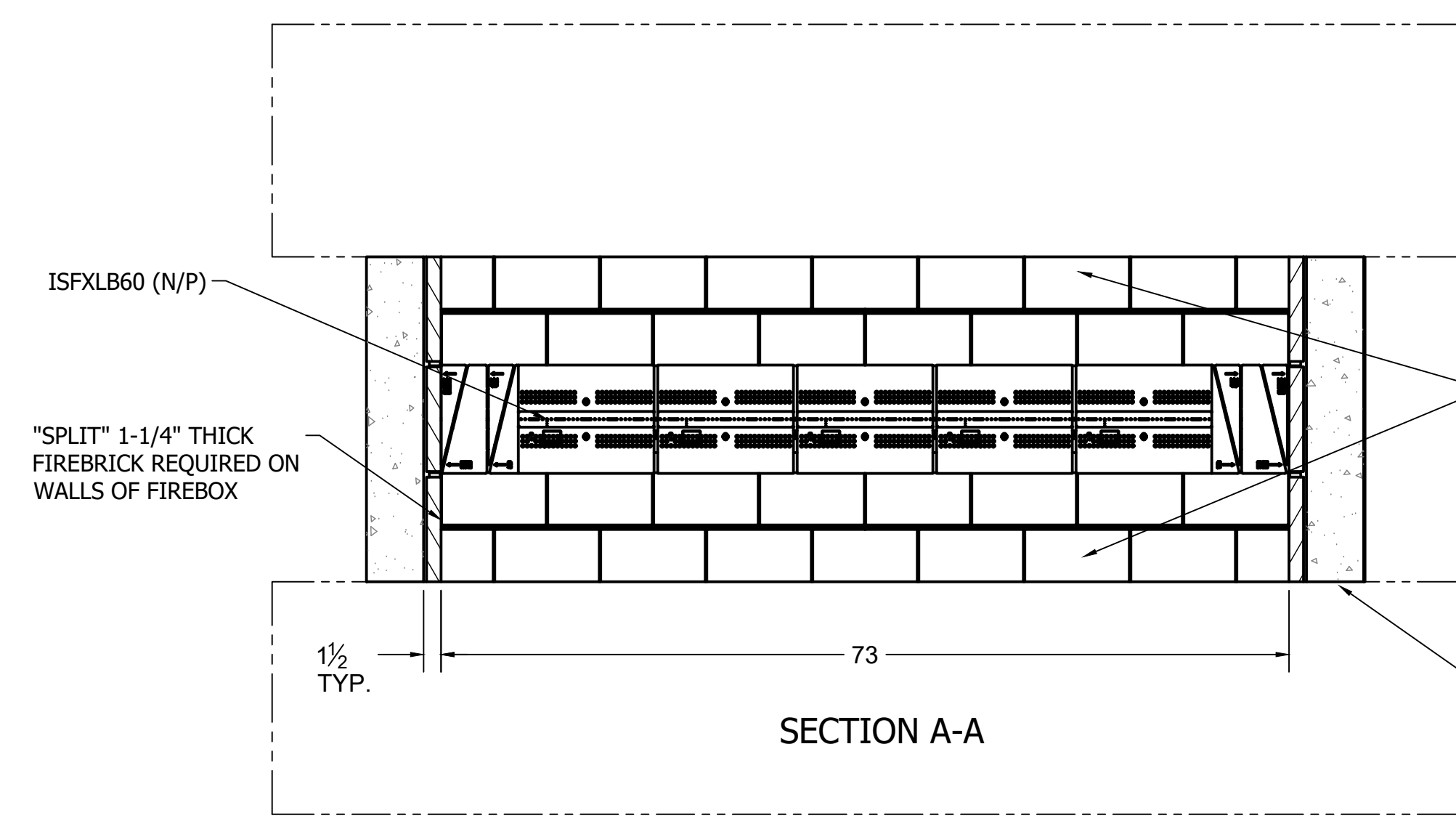
12" B-VENT PIPE W/ DOWN-DRAFT DIVERTER; X-VENTISO-MERIDIAN FAN SYSTEM REQUIRED.

FRAME OPENINGS TO 15"X15" CLEAR TO MAINTAIN MIN. 1" CLEARANCE TO COMBUSTIBLES

TOP

SECTION C-C
SCALE 1" = 1'-0"

(7x) ISOKERN #133



SECTION A-A

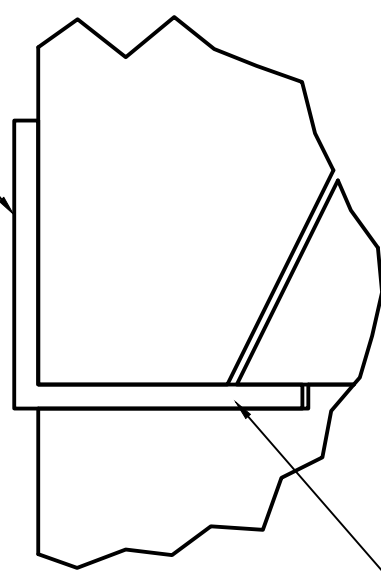
TWO ROWS OF "FULL" 2-1/2" THICK FIREBRICK LAID ON TOP OF FIRST CONTINUOUS LAYER OF "SPLIT" 1-1/2" THICK FIREBRICK TO CREATE BURNER CAVITY.

BEGIN COURSING AT FRONT EDGE OF BASE PLATE.

THE REQUIRED HEARTH EXTENSION SHALL EXTEND A MINIMUM OF 20" TO THE FRONT AND 12" TO THE SIDES OF FIREBOX'S FINISHED OPENING.

6" X 6" 1/2" STEEL ANGLE; 86" LONG REQUIRED TO SPAN OPENING ON BOTH SIDES OF FIREBOX.

NOT PROVIDED BY EARTHCORE, SOURCE LOCALLY

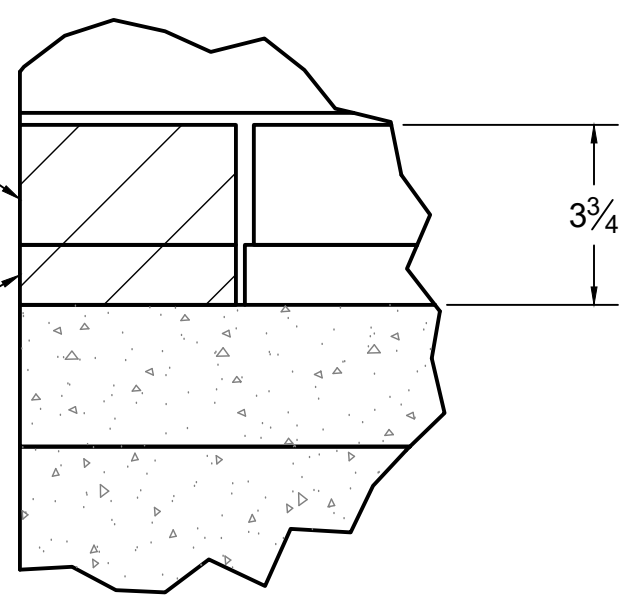


DETAIL A
SCALE .25

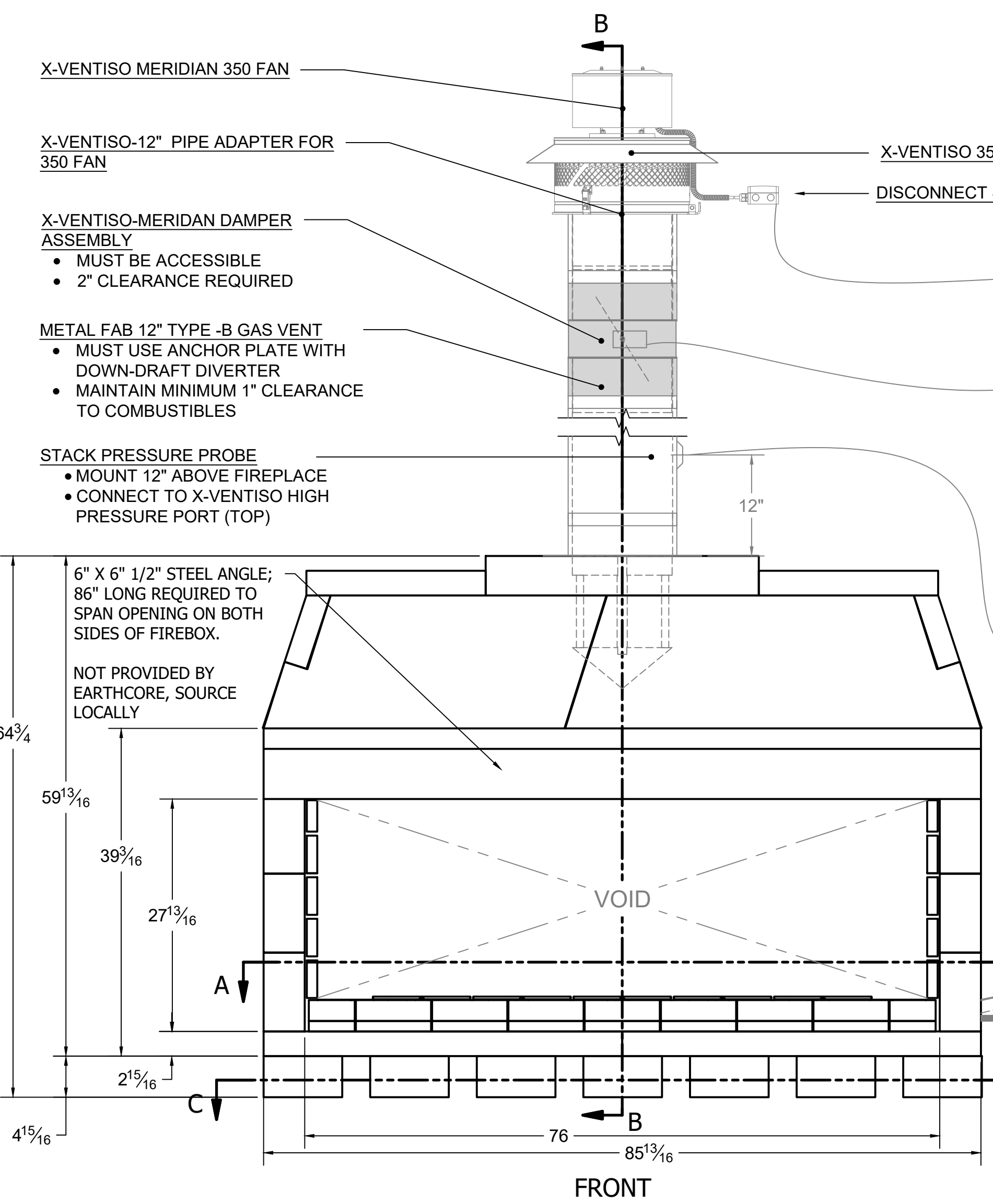
SIDEWALLS NOTCHED TO FLUSH THE ANGLE IRON WITH TOP OF WALL

LAYER OF 2-1/2" THICK FIREBRICK LAID ON TOP OF FIRST LAYER TO CREATE BURNER CAVITY

CONTINUOUS LAYER OF 1-1/4" THICK FIREBRICK TO COVER ENTIRE HEARTH FLOOR



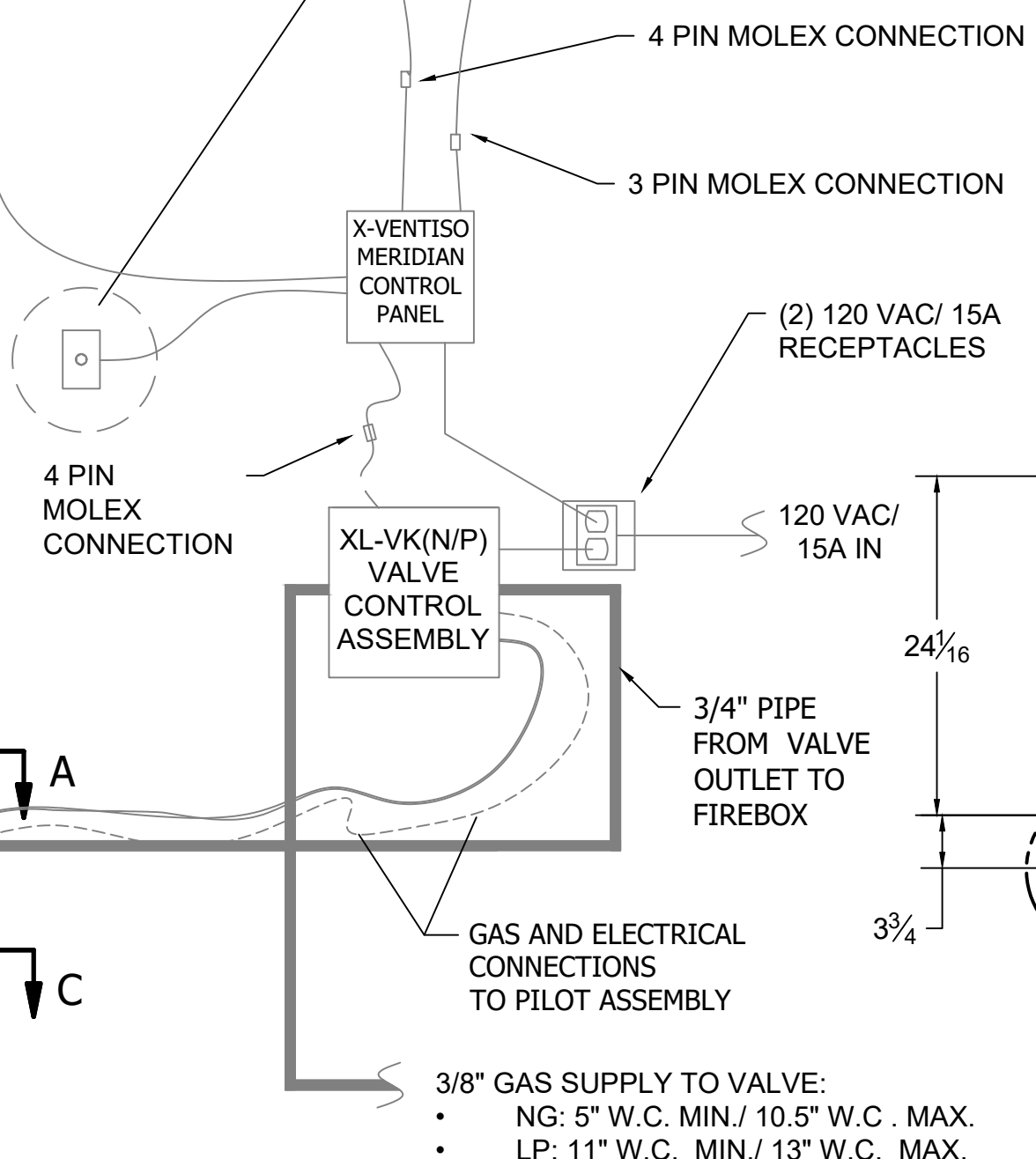
DETAIL B
SCALE .25



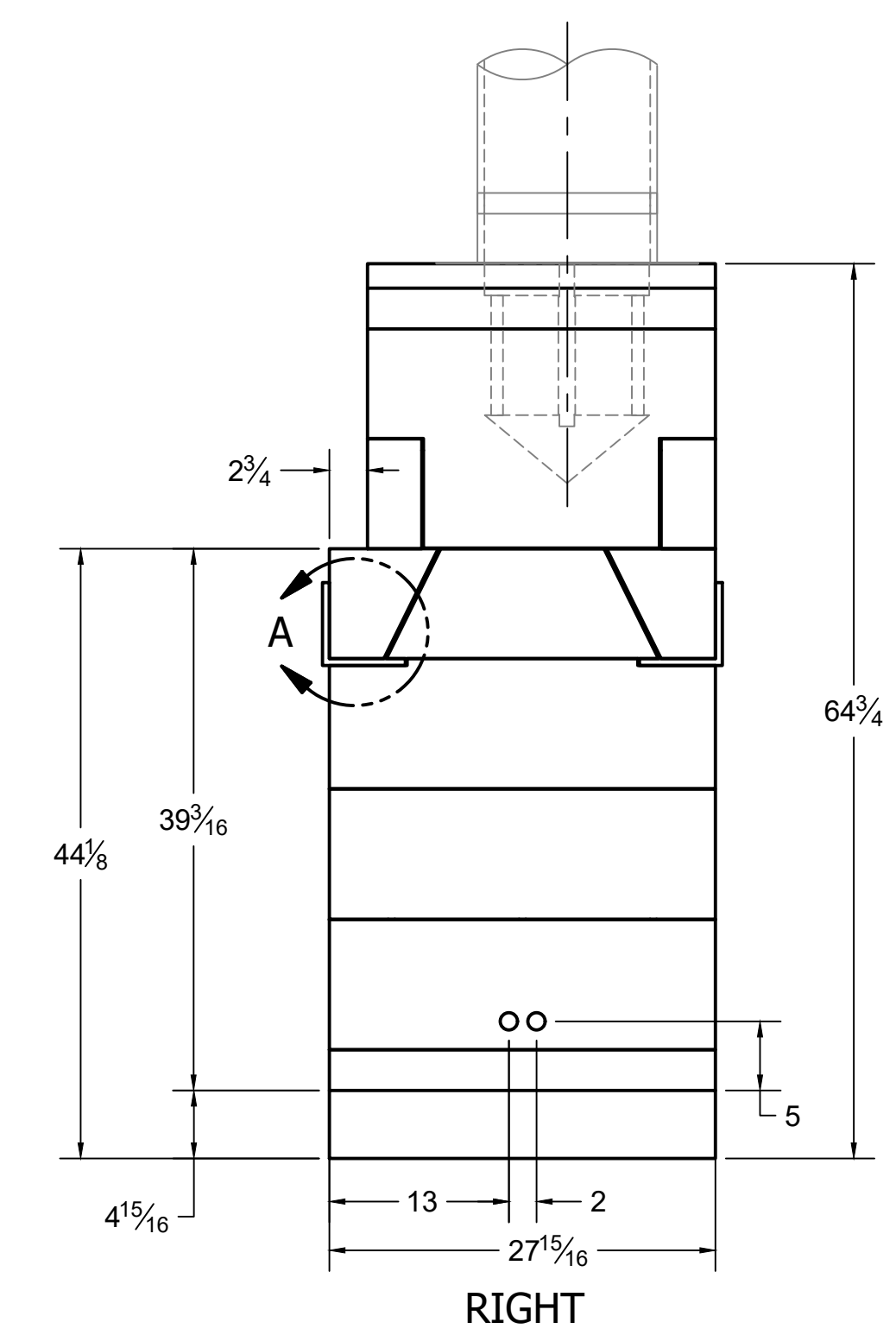
FRONT

- X-VENTISO MERIDIAN 350 FAN
- X-VENTISO-12" PIPE ADAPTER FOR 350 FAN
- X-VENTISO-MERIDIAN DAMPER ASSEMBLY
 - MUST BE ACCESSIBLE
 - 2" CLEARANCE REQUIRED
- METAL FAB 12" TYPE -B GAS VENT
 - MUST USE ANCHOR PLATE WITH DOWN-DRAFT DIVERTER
 - MAINTAIN MINIMUM 1" CLEARANCE TO COMBUSTIBLES
- STACK PRESSURE PROBE
 - MOUNT 12" ABOVE FIREPLACE
 - CONNECT TO X-VENTISO HIGH PRESSURE PORT (TOP)

- ROOM PRESSURE SENSOR
 - MOUNT INTO ROOM IN WHICH FIREPLACE IS INSTALLED (LOCATION MAY VARY, DO NOT PLACE IN LOCATION THAT MAY BE BLOCKED OR COVERED)
 - CONNECT TO X-VENTISO LOW PRESSURE PORT (BOTTOM)



SECTION B-B



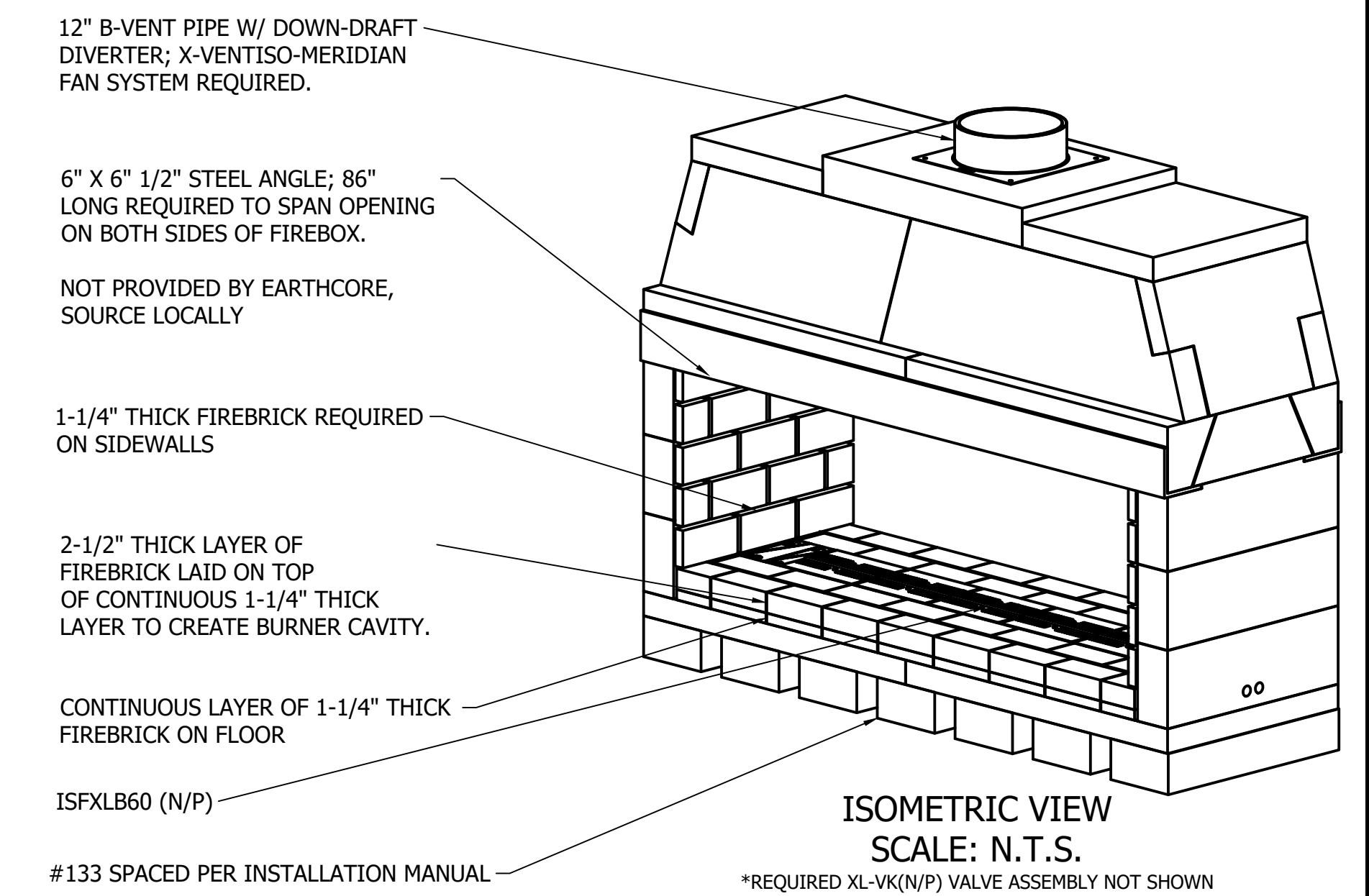
RIGHT

ISOKERN COMPONENT AND ACCESSORIES LIST		
PART #	QTY.	DESCRIPTION
82X72ST	1	72" XCELUX SEE-THRU FIREPLACE
---	1	6"x6"x1/2" STEEL ANGLE; 85-7/8" LONG (NOT SUPPLIED BY EARTHCORE, SOURCE LOCALLY)
12MDD-EC	1	12in ANCHOR PLATE W/ DRAFT DIVERTER & ISOWOOL
ISFXLB60(N/P)	1	60" ISOFLAMES LINEAR XL BURNER (N: NATURAL GAS/ P: PROPANE)
XL-VK(N/P)	1	200 kBTU GAS VALVE CONTROL BOX (N: NATURAL GAS/ P: PROPANE)
XV-MERDML	1	X-VENTISO-MERIDIAN FAN SYSTEM (CONSISTS OF THE FOLLOWING:) • X-VENTISO-MERIDIAN-350 FAN (XV-MERD-350) • X-VENTISO-350 FAN RAIN CAP (XV-350RC) • X-VENTISO-12" PIPE ADAPTER FOR 350 FAN (XV-350ADP12) • X-VENTISO-MERIDIAN DAMPER ASSEMBLY (XV-MERD-DAMP) • X-VENTISO-MERIDIAN ROOM PRESSURE PROBE/ COVER PLATE, STACK PRESSURE PROBE, TUBING (XV-MERD-PRESSKIT) • X-VENTISO-MERIDIAN CONTROL PANEL (XV-MERD-CTLR)
---	7	ISOKERN #133: REQUIRED FOR COMBUSTIBLE FLOOR INSTALLATION

GENERAL NOTES

- THE ISOKERN 72" XCELUX SEE-THRU SERIES FIREPLACE IS A TOP-VENTED, GAS ONLY FIREPLACE THAT IS APPROVED FOR USE ONLY WITH THE ISOFLAMES LINEAR XL BURNER SYSTEM AS SHOWN IN THIS DRAWING (ISFXLB60(N/P)). USAGE OF ANY OTHER BURNER IN THIS FIREPLACE IS PROHIBITED AND WILL ABSOLVE EARTHCORE/ ISOKERN OR ANY DIVISION THEREOF FOR ANY INCIDENTAL OR CONSEQUENTIAL DAMAGES OR EXPENSES ARISING OUT OF THE USE OF THIS FIREPLACE.
- THIS FIREPLACE'S BURNER SYSTEM (ISFXLB60(N/P)) COMES WITH A GAS CONTROL VALVE ASSEMBLY (XL-VK(N/P)) THAT INCLUDES AN AUTOMATIC DRAFT AND SAFETY SYSTEM.
- THIS APPLIANCE IS ONLY FOR USE WITH THE TYPE OF GAS INDICATED ON THE BURNER RATING PLATE. VERIFY GAS SUPPLY AND BURNER/ VALVE ARE OF SAME TYPE PRIOR TO INSTALLATION.
- THE EXHAUST FLUE GASES ARE TO BE VENTED THROUGH THE TOP OF THE UNIT WITH 12" METAL-FAB UL LISTED B-VENT PIPING WITH DOWN-DRAFT DIVERTER. THIS TWELVE INCH (12") DIAMETER, DOUBLE WALL B-VENTING SYSTEM IS NOT SUPPLIED BUT IS REQUIRED FOR PROPER OPERATION.
- THE XCELUX SEE-THRU SERIES FIREPLACES SHALL BE INSTALLED WITH THE MINIMUM CLEARANCES TO COMBUSTIBLES AS LISTED BELOW:
 - UNIT FRONT: 0"
 - SIDES AND REAR: 1.5"
 - COMBUSTIBLE SHEATHING ABOVE OPENING TOP: 8"
 - SHEATHING OR TRIM TO OPENING SIDES: 8"
 - MANTEL ABOVE OPENING: 12"
 - OPENING TO SIDEWALLS: 24"
 - HEARTH EXTENSION BEYOND FRONT: 20"
 - HEARTH EXTENSION BEYOND SIDES (FINISHED): 12"
 - COMBUSTIBLE FLOOR: 5" (MUST USE COMBUSTIBLE FLOOR INSTALLATION APPLICATION AS DETAILED IN XCELUX INSTALLATION MANUAL, CONTINUOUS 1-1/4" THICK FIREBRICK FLOOR WITH 2-1/2" THICK FIREBRICK BURNER CAVITY, AND ISOFLAMES LINEAR XL BURNER AND VALVE)
 - INSULATION FROM FIREBOX (UNSHIELDED): 3"
- THIS DESIGN REQUIRES MECHANICAL VENTILATION ASSISTANCE USING THE X-VENTISO-MERIDIAN FAN SYSTEM FOR GAS-ONLY OPERATION. VENT PATHS ARE LIMITED TO A MAXIMUM OF TWO 90° ELBOWS AND MAY TERMINATE EITHER VERTICALLY OR HORIZONTALLY. REFER TO INSTALLATION MANUAL FOR MAXIMUM VENT LENGTHS AND ADDITIONAL INFORMATION REGARDING FLUE RUNS.
- ENSURE TWO 120VAC/ 15A OUTLETS ARE PROVIDED FOR GAS VALVE AND X-VENTISO-MERIDIAN CONTROL PANEL IN ACCORDANCE WITH INSTALLATION MANUAL. CONTROLS SHALL BE LOCATED IN ACCESSIBLE LOCATION.
- ALL ACCESSORIES/ EQUIPMENT INSTALLED WITH THIS FIREPLACE TO BE INSTALLED ACCORDING TO MANUFACTURER'S SPECIFICATIONS.
- INSTALL AND SUPPORT B-VENT PIPE TO ALL MANUFACTURER SPECIFICATIONS. ENSURE MIN.1" CLEARANCE TO COMBUSTIBLES IS KEPT AT ALL TIMES.
- IMPORTANT: THE X-VENTISO-MERIDIAN DAMPER ASSEMBLY REQUIRES 2" CLEARANCE TO COMBUSTIBLES WITH HEAT SHIELD INSTALLED. IF HEAT SHIELD IS NOT INSTALLED, THIS CLEARANCE INCREASES TO 18".
- DRAWINGS ARE FOR DESIGN PURPOSES ONLY AND ARE THE SOLE PROPERTY OF EARTHCORE INDUSTRIES. ANY REPRODUCTION OR UNAUTHORIZED USE IS STRICTLY PROHIBITED.
- EARTHCORE/ ISOKERN OR ANY DIVISION THEREOF SHALL NOT BE HELD LIABLE FOR ANY INCIDENTAL OR CONSEQUENTIAL DAMAGES OR EXPENSES ARISING OUT OF THE USE OF THE FIREPLACES OR CHIMNEY SYSTEMS.
- ALWAYS CHECK LOCAL BUILDING CODES GOVERNING FIREPLACES AND FIREPLACE INSTALLATIONS.

ISOMETRIC VIEW (N.T.S.)



ISOMETRIC VIEW
SCALE: N.T.S.

12" B-VENT PIPE W/ DOWN-DRAFT DIVERTER; X-VENTISO-MERIDIAN FAN SYSTEM REQUIRED.

6" X 6" 1/2" STEEL ANGLE; 86" LONG REQUIRED TO SPAN OPENING ON BOTH SIDES OF FIREBOX.

NOT PROVIDED BY EARTHCORE, SOURCE LOCALLY

1-1/4" THICK FIREBRICK REQUIRED ON SIDEWALLS

2-1/2" THICK LAYER OF FIREBRICK LAID ON TOP OF CONTINUOUS 1-1/4" THICK LAYER TO CREATE BURNER CAVITY.

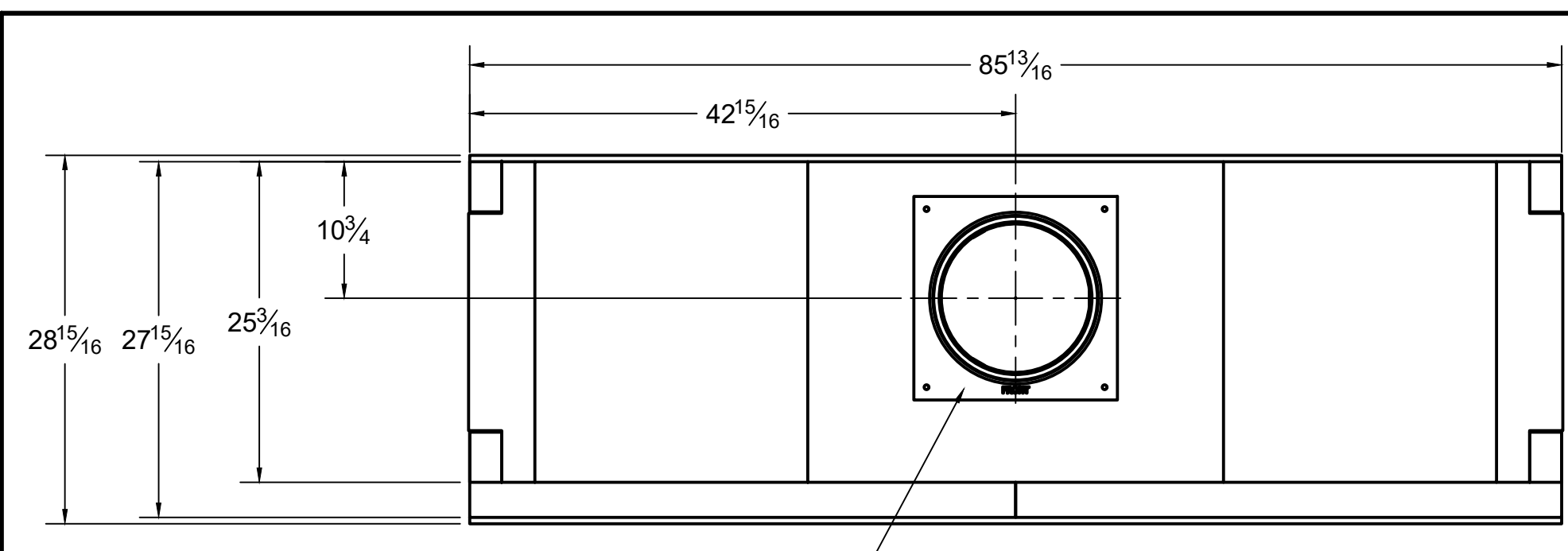
CONTINUOUS LAYER OF 1-1/4" THICK FIREBRICK ON FLOOR

ISFXLB60 (N/P)

#133 SPACED PER INSTALLATION MANUAL

*REQUIRED XL-VK(N/P) VALVE ASSEMBLY NOT SHOWN

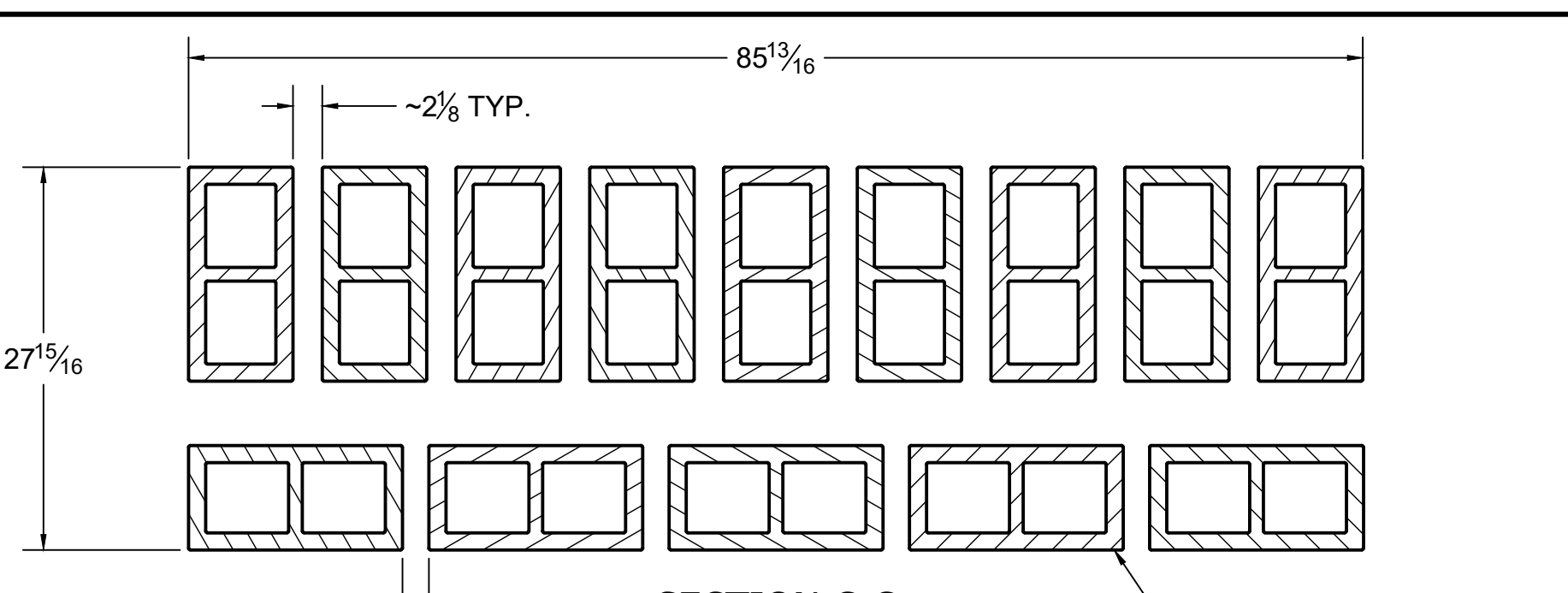
earthcore INDUSTRIES, L.L.C.		UNLESS OTHERWISE STATED, ALL DIMENSIONS ARE IN INCHES		PROJECT: 72" XCELUX SEE-THRU SERIES	
ANG. A	±	THIRD ANGLE PROJECTION	DESCRIPTION: COMBUSTIBLE FLOOR INSTALLATION W/ #133	MATERIAL: E.C. PUMICE MIXTURE	SIZE: D
LIN. X	±		DRAWN: K.B.H.	DATE: 10/1/2024	SCALE: 1"=1'-0"
XXX	±		APPROVED:		DRAWING #: 82X72ST



TOP

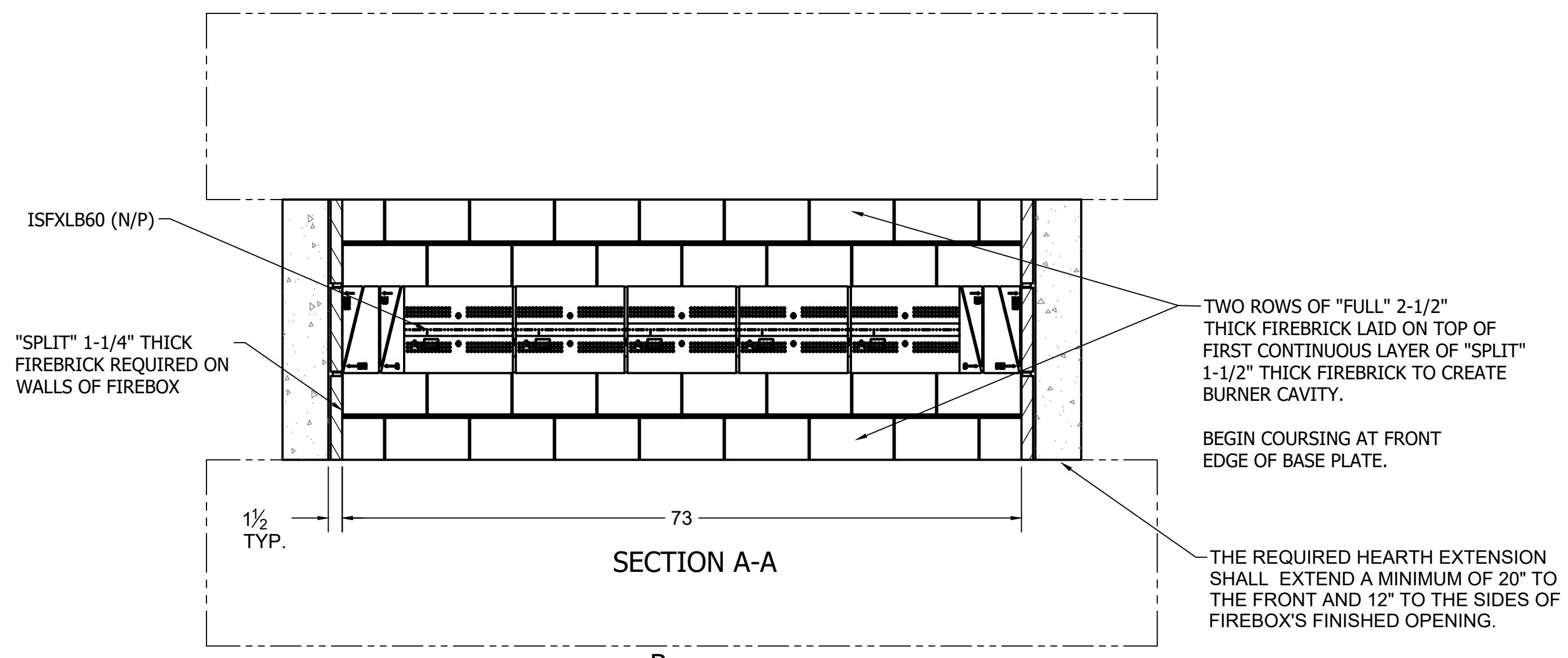
12" B-VENT PIPE W/ DOWN-DRAFT DIVERTER; X-VENTISIO-MERIDIAN FAN SYSTEM REQUIRED.

FRAME OPENINGS TO 15"X15" CLEAR TO MAINTAIN MIN. 1" CLEARANCE TO COMBUSTIBLES



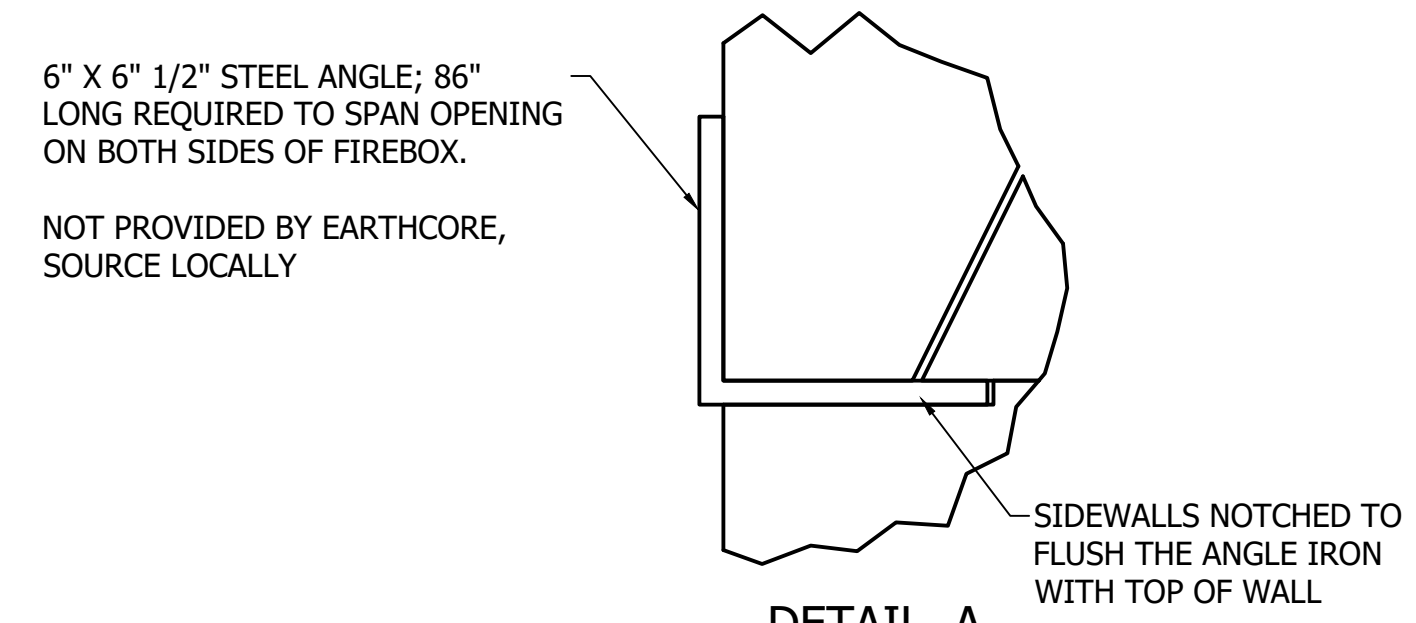
SECTION C-C
SCALE 1" = 1'-0"

(14x) STANDARD ASTM C90 8" x 8" x 16" CMU

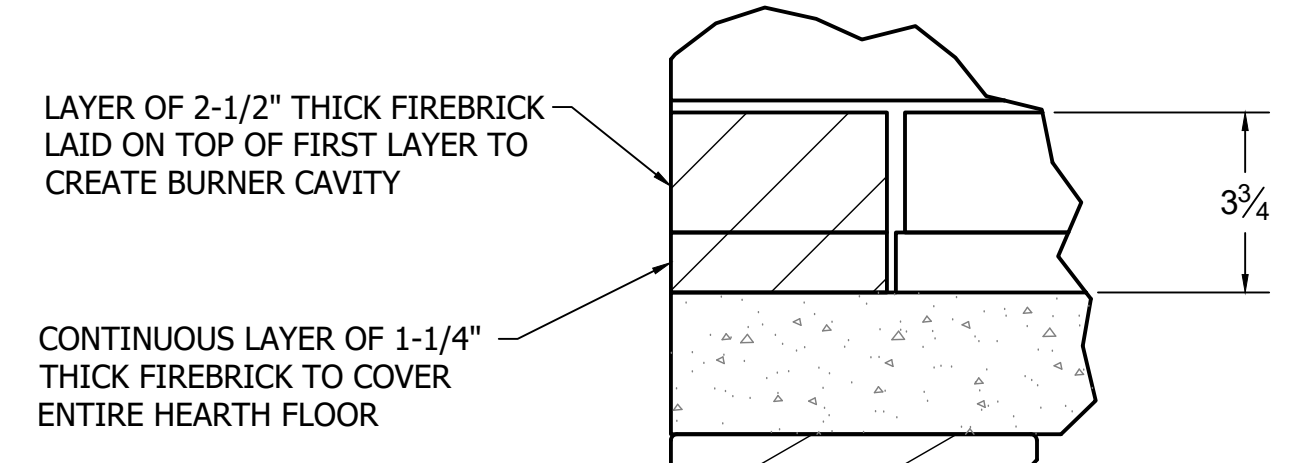


SECTION A-A

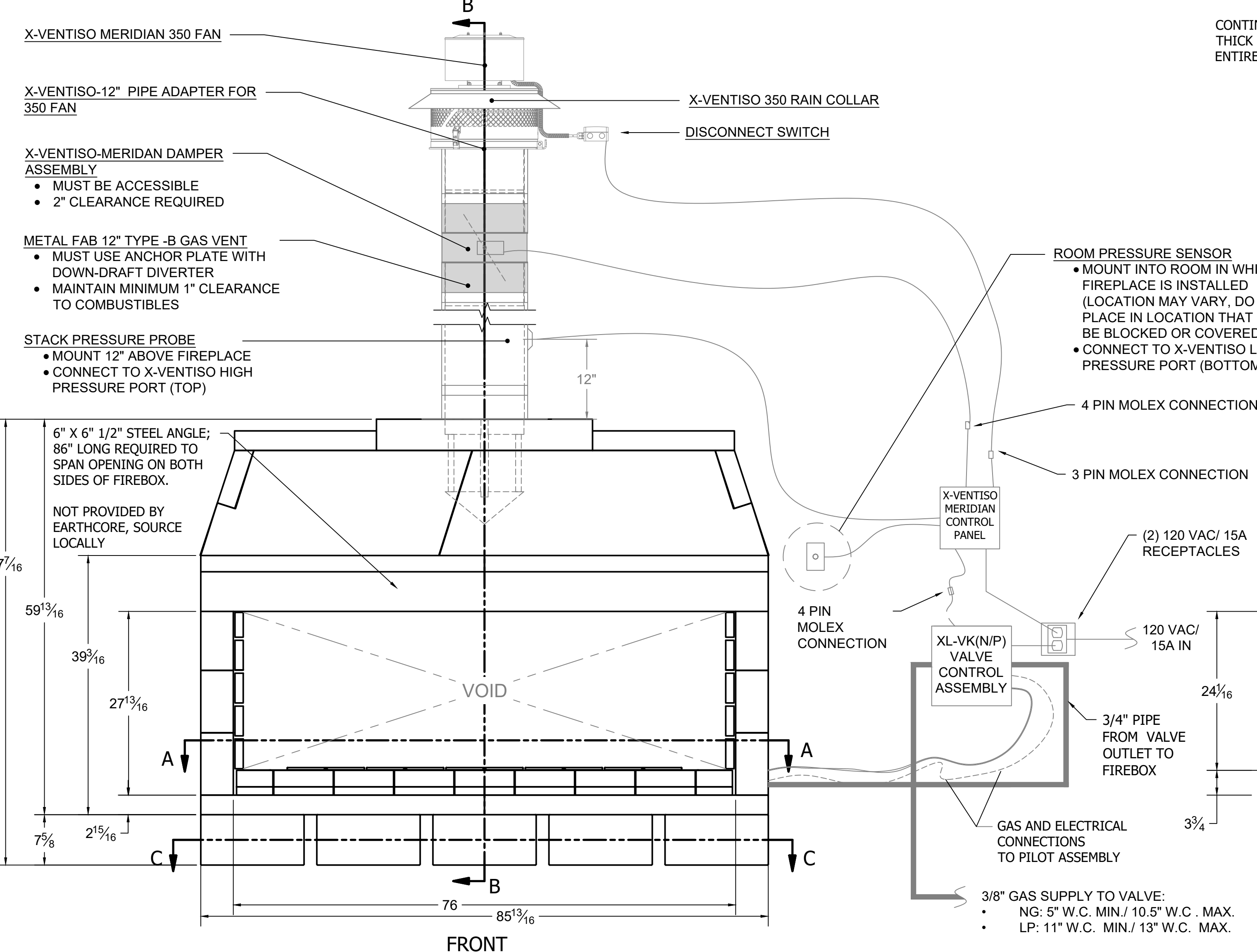
THE REQUIRED HEARTH EXTENSION SHALL EXTEND A MINIMUM OF 20" TO THE FRONT AND 12" TO THE SIDES OF FIREBOX'S FINISHED OPENING.



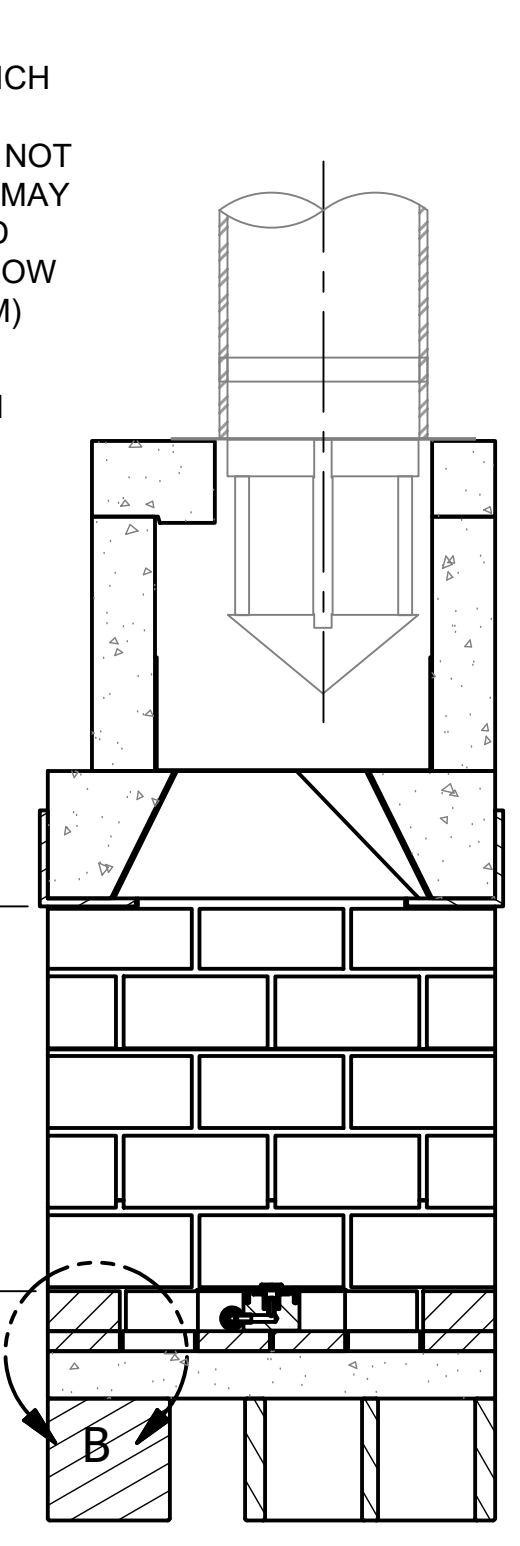
DETAIL A
SCALE .25



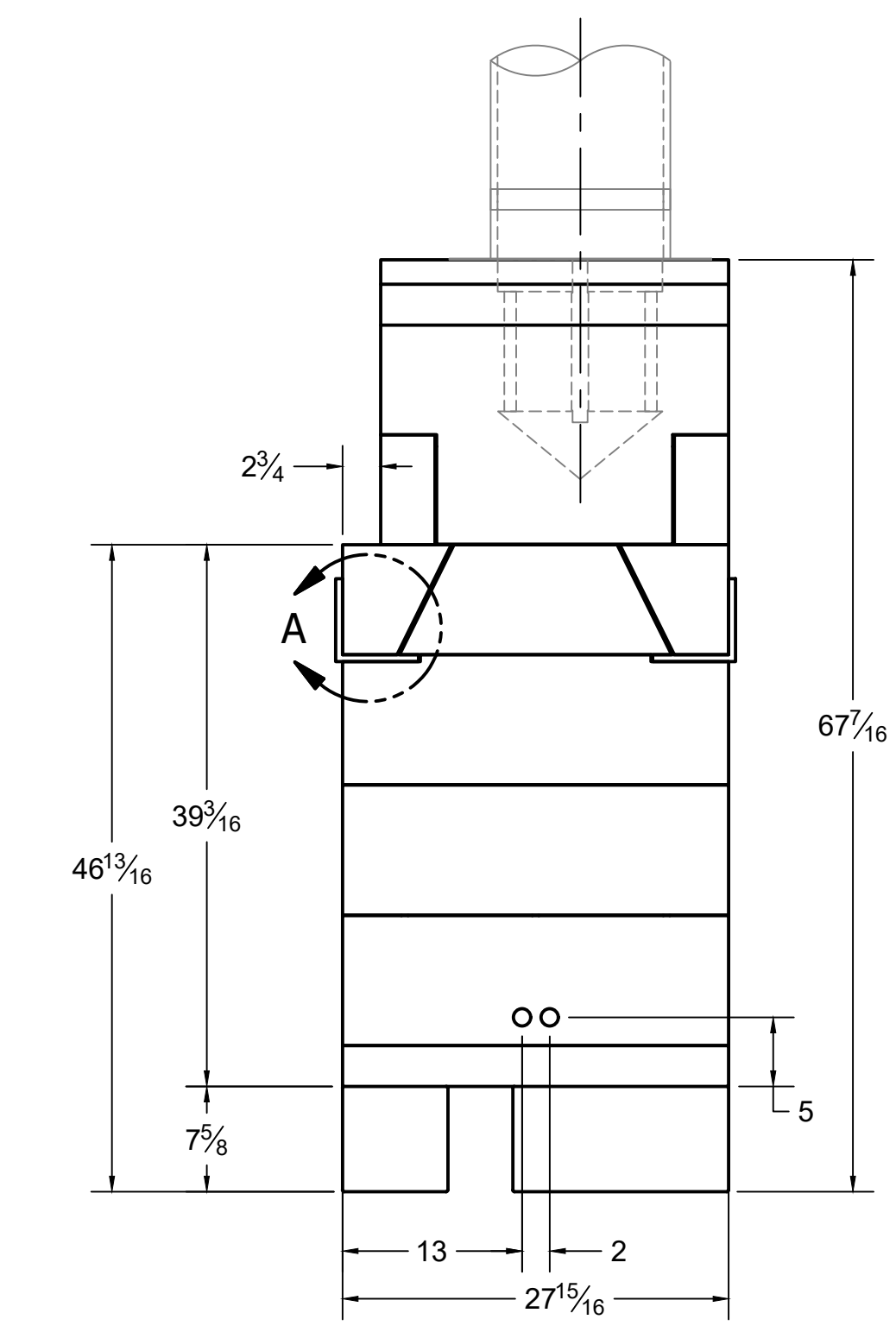
DETAIL B
SCALE .25



FRONT



SECTION B-B



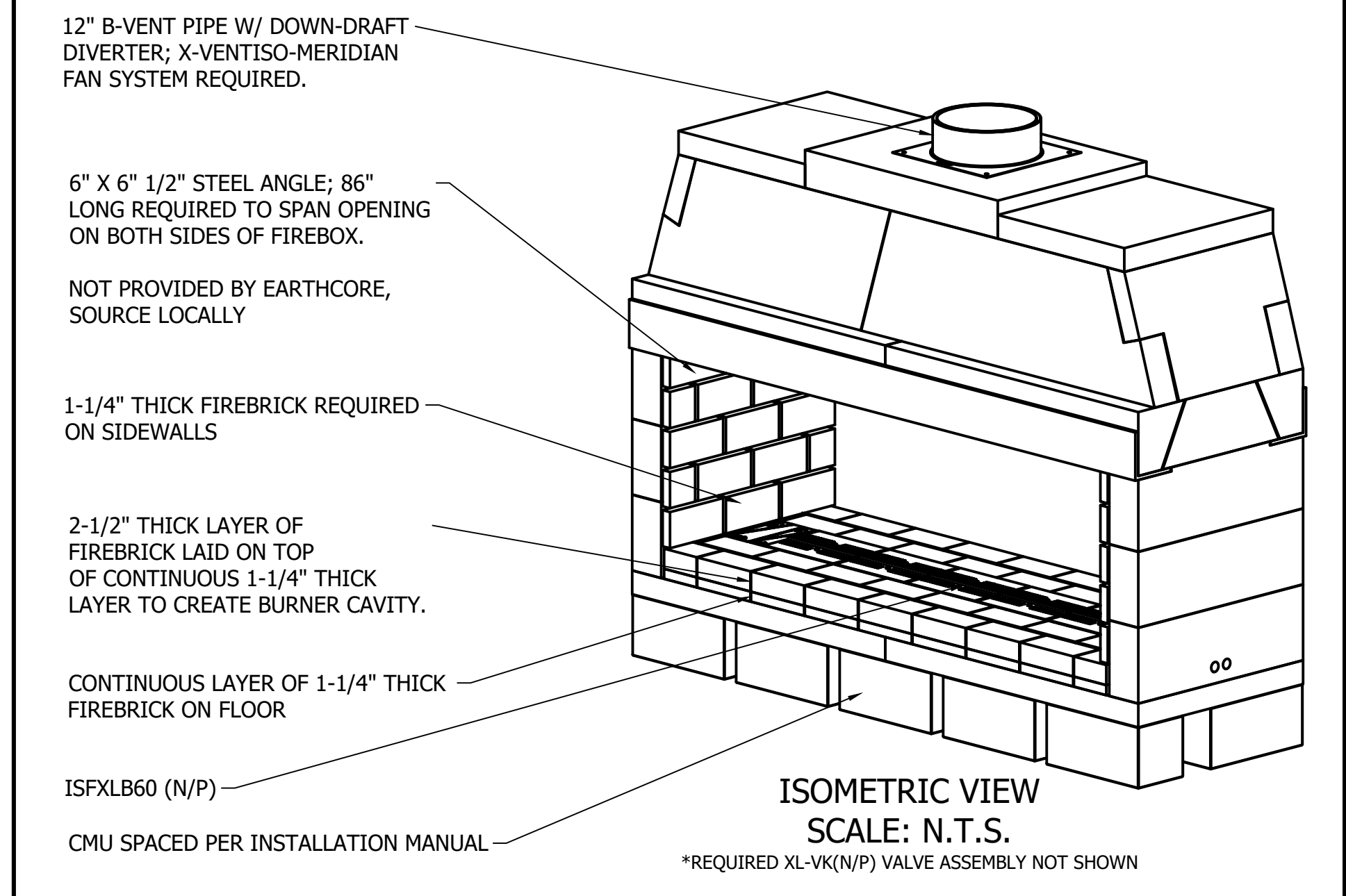
RIGHT

ISOKERN COMPONENT AND ACCESSORIES LIST		
PART #	QTY.	DESCRIPTION
82X72ST	1	72" XCELUX SEE-THRU FIREPLACE
---	1	6"X6"X1/2" STEEL ANGLE; 85-7/8" LONG (NOT SUPPLIED BY EARTHCORE, SOURCE LOCALLY)
12MDD-FC	1	12in ANCHOR PLATE W/ DRAFT DIVERTER & ISOWOOL
ISFXLB60(N/P)	1	60" ISOFLAMES LINEAR XL BURNER (N: NATURAL GAS/ P: PROPANE)
XL-VK(N/P)	1	200 kBTU GAS VALVE CONTROL BOX (N: NATURAL GAS/ P: PROPANE)
XV-MERDML	1	X-VENTISIO-MERIDIAN FAN SYSTEM (CONSISTS OF THE FOLLOWING): <ul style="list-style-type: none"> X-VENTISIO-MERIDIAN 350 FAN (XV-MERD-350) X-VENTISIO-350 FAN RAIN CAP (XV-350RC) X-VENTISIO-12" PIPE ADAPTER FOR 350 FAN (XV-350ADP12) X-VENTISIO-MERIDIAN DAMPER ASSEMBLY (XV-MERD-DAMP) X-VENTISIO-MERIDIAN ROOM PRESSURE PROBE/ COVER PLATE, STACK PRESSURE PROBE, TUBING (XV-MERD-PRESSKIT) X-VENTISIO-MERIDIAN CONTROL PANEL (XV-MERD-CTRL)
---	14	ASTM C90 16X8X8 CMU: REQUIRED FOR ALTERNATE COMBUSTIBLE FLOOR INSTALLATION

GENERAL NOTES

- THE ISOKERN 72" XCELUX SEE-THRU SERIES FIREPLACE IS A TOP-VENTED, GAS ONLY FIREPLACE THAT IS APPROVED FOR USE ONLY WITH THE ISOFLAMES LINEAR XL BURNER SYSTEM AS SHOWN IN THIS DRAWING (ISFXLB60NP). USAGE OF ANY OTHER BURNER IN THIS FIREPLACE IS PROHIBITED AND WILL ABSOLVE EARTHCORE/ ISOKERN OR ANY DIVISION THEREOF FOR ANY INCIDENTAL OR CONSEQUENTIAL DAMAGES OR EXPENSES ARISING OUT OF THE USE OF THIS FIREPLACE.
- THIS FIREPLACE'S BURNER SYSTEM (ISFXLB60(N/P)) COMES WITH A GAS CONTROL VALVE ASSEMBLY (XL-VK(N/P)) THAT INCLUDES AN AUTOMATIC DRAFT AND SAFETY SYSTEM.
- THIS APPLIANCE IS ONLY FOR USE WITH THE TYPE OF GAS INDICATED ON THE BURNER RATING PLATE. VERIFY GAS SUPPLY AND BURNER/ VALVE ARE OF SAME TYPE PRIOR TO INSTALLATION.
- THE EXHAUST FLUE GASES ARE TO BE VENTED THROUGH THE TOP OF THE UNIT WITH 12" METAL-FAB UL LISTED B-VENT PIPING WITH DOWN-DRAFT DIVERTER. THIS TWELVE INCH (12") DIAMETER, DOUBLE WALL B-VENTING SYSTEM IS NOT SUPPLIED BUT IS REQUIRED FOR PROPER OPERATION.
- THE XCELUX SEE-THRU SERIES FIREPLACES SHALL BE INSTALLED WITH THE MINIMUM CLEARANCES TO COMBUSTIBLES AS LISTED BELOW:
 - UNIT FRONT: 0"
 - SIDES AND REAR: 1.5"
 - COMBUSTIBLE SHEATHING ABOVE OPENING TOP: 8"
 - SHEATHING OR TRIM TO OPENING SIDES: 8"
 - MANTEL ABOVE OPENING: 12"
 - OPENING TO SIDEWALLS: 24"
 - HEARTH EXTENSION BEYOND FRONT: 20"
 - HEARTH EXTENSION BEYOND SIDES (FINISHED): 12"
 - COMBUSTIBLE FLOOR: 5" (MUST USE COMBUSTIBLE FLOOR INSTALLATION APPLICATION AS DETAILED IN XCELUX INSTALLATION MANUAL, CONTINUOUS 1-1/4" THICK FIREBRICK FLOOR WITH 2-1/2" THICK FIREBRICK BURNER CAVITY, AND ISOFLAMES LINEAR XL BURNER AND VALVE)
 - INSULATION FROM FIREBOX (UNSHIELDED): 3"
- THIS DESIGN REQUIRES MECHANICAL VENTILATION ASSISTANCE USING THE X-VENTISIO-MERIDIAN FAN SYSTEM FOR GAS-ONLY OPERATION. VENT PATHS ARE LIMITED TO A MAXIMUM OF TWO 90° ELBOWS AND MAY TERMINATE EITHER VERTICALLY OR HORIZONTALLY. REFER TO INSTALLATION MANUAL FOR MAXIMUM VENT LENGTHS AND ADDITIONAL INFORMATION REGARDING FLUE RUNS.
- ENSURE TWO 120VAC/ 15A OUTLETS ARE PROVIDED FOR GAS VALVE AND X-VENTISIO-MERIDIAN CONTROL PANEL IN ACCORDANCE WITH INSTALLATION MANUAL. CONTROLS SHALL BE LOCATED IN ACCESSIBLE LOCATION.
- ALL ACCESSORIES/ EQUIPMENT INSTALLED WITH THIS FIREPLACE TO BE INSTALLED ACCORDING TO MANUFACTURER'S SPECIFICATIONS.
- INSTALL AND SUPPORT B-VENT PIPE TO ALL MANUFACTURER SPECIFICATIONS. ENSURE MIN.1" CLEARANCE TO COMBUSTIBLES IS KEPT AT ALL TIMES.
- IMPORTANT: THE X-VENTISIO-MERIDIAN DAMPER ASSEMBLY REQUIRES 2" CLEARANCE TO COMBUSTIBLES WITH HEAT SHIELD INSTALLED. IF HEAT SHIELD IS NOT INSTALLED, THIS CLEARANCE INCREASES TO 18".
- DRAWINGS ARE FOR DESIGN PURPOSES ONLY AND ARE THE SOLE PROPERTY OF EARTHCORE INDUSTRIES. ANY REPRODUCTION OR UNAUTHORIZED USE IS STRICTLY PROHIBITED.
- EARTHCORE/ ISOKERN OR ANY DIVISION THEREOF SHALL NOT BE HELD LIABLE FOR ANY INCIDENTAL OR CONSEQUENTIAL DAMAGES OR EXPENSES ARISING OUT OF THE USE OF THE FIREPLACES OR CHIMNEY SYSTEMS.
- ALWAYS CHECK LOCAL BUILDING CODES GOVERNING FIREPLACES AND FIREPLACE INSTALLATIONS.

ISOMETRIC VIEW (N.T.S.)



ISOMETRIC VIEW
SCALE: N.T.S.

earthcore INDUSTRIES, L.L.C.

UNLESS OTHERWISE STATED, ALL DIMENSIONS ARE IN INCHES

PROJECT: 72" XCELUX SEE-THRU SERIES

DESCRIPTION: COMBUSTIBLE FLOOR INSTALLATION W/ CMU

MATERIAL: E.C. PUMICE MIXTURE

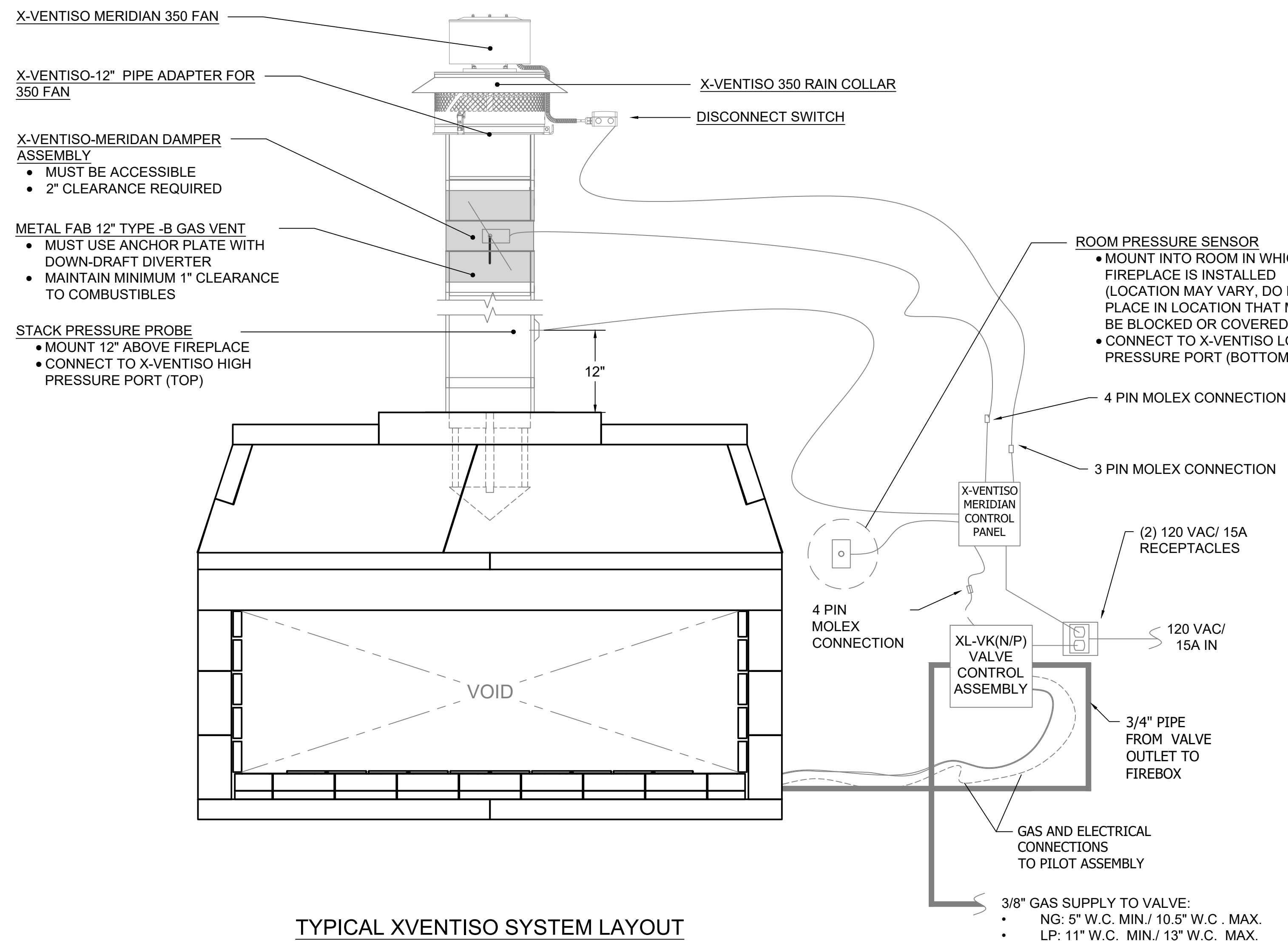
DRAWN: K.B.H. DATE: 10/1/2024

APPROVED: DATE: 10/1/2024

SIZE: D SCALE: 1"=1'-0"

DRAWING #: 82X72ST

SHEET 1 OF 3



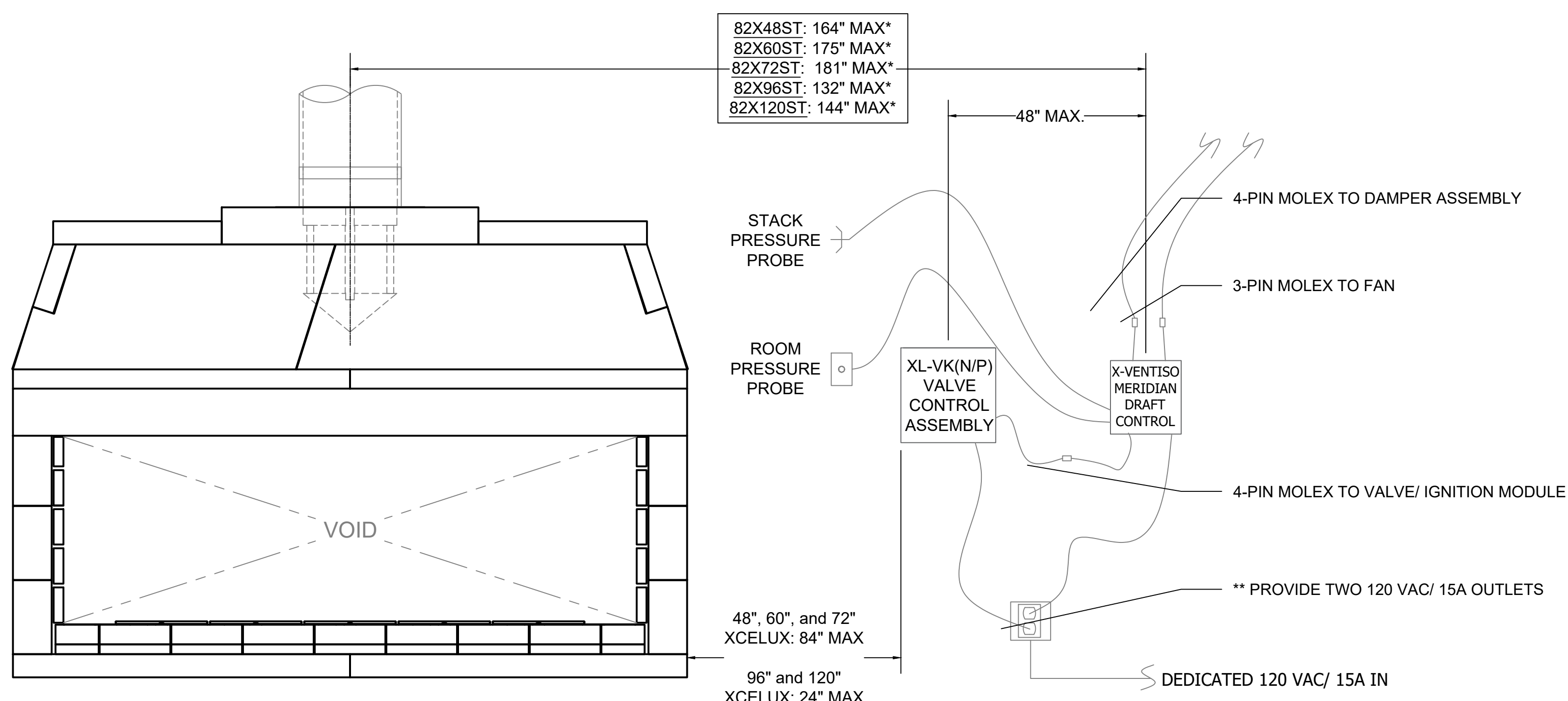
TYPICAL XVENTISO SYSTEM LAYOUT

- X-VENTISO MERIDIAN 350 FAN
- X-VENTISO-12" PIPE ADAPTER FOR 350 FAN
- X-VENTISO-MERIDIAN DAMPER ASSEMBLY
 - MUST BE ACCESSIBLE
 - 2" CLEARANCE REQUIRED
- METAL FAB 12" TYPE -B GAS VENT
 - MUST USE ANCHOR PLATE WITH DOWN-DRAFT DIVERTER
 - MAINTAIN MINIMUM 1" CLEARANCE TO COMBUSTIBLES
- STACK PRESSURE PROBE
 - MOUNT 12" ABOVE FIREPLACE
 - CONNECT TO X-VENTISO HIGH PRESSURE PORT (TOP)

- X-VENTISO 350 RAIN COLLAR
- DISCONNECT SWITCH
- ROOM PRESSURE SENSOR
 - MOUNT INTO ROOM IN WHICH FIREPLACE IS INSTALLED (LOCATION MAY VARY, DO NOT PLACE IN LOCATION THAT MAY BE BLOCKED OR COVERED)
 - CONNECT TO X-VENTISO LOW PRESSURE PORT (BOTTOM)
- 4 PIN MOLEX CONNECTION
- 3 PIN MOLEX CONNECTION
- X-VENTISO MERIDIAN CONTROL PANEL
- (2) 120 VAC/ 15A RECEPTACLES
- 120 VAC/ 15A IN
- 3/4" PIPE FROM VALVE OUTLET TO FIREBOX
- GAS AND ELECTRICAL CONNECTIONS TO PILOT ASSEMBLY
- 3/8" GAS SUPPLY TO VALVE:
 - NG: 5" W.C. MIN./ 10.5" W.C. MAX.
 - LP: 11" W.C. MIN./ 13" W.C. MAX.

* Maximum values as shown are derived from length of Molex connectors to the gas valve control assembly.

** Outlet locations must be within the extents of the 72" power supply cables of the Meridian Control Panel and the XL-VK(N/P) Gas Valve/ Control Assembly



XVENTISO AND XL-VK(N/P) LOCATION GUIDELINES

ISOKERN COMPONENT AND ACCESSORIES LIST		
PART #	QTY.	DESCRIPTION
82X72ST	1	72" XCELUX SEE-THRU FIREPLACE
---	1	6"x6"x1/2" STEEL ANGLE; 85-7/8" LONG (NOT SUPPLIED BY EARTHORE, SOURCE LOCALLY)
12MDD-EC	1	12in ANCHOR PLATE W/ DRAFT DIVERTER & ISOWOOL
ISFXLB60(N/P)	1	60" ISOFLAMES LINEAR XL BURNER (N: NATURAL GAS/ P: PROPANE)
XL-VK(N/P)	1	200 KBTU GAS VALVE CONTROL BOX (N: NATURAL GAS/ P: PROPANE)
XV-MERDML	1	X-VENTISO-MERIDIAN FAN SYSTEM (CONSISTS OF THE FOLLOWING:) • X-VENTISO-MERIDIAN-350 FAN (XV-MERD-350) • X-VENTISO-350 FAN RAIN CAP (XV-350RC) • X-VENTISO-12" PIPE ADAPTER FOR 350 FAN (XV-350ADP12) • X-VENTISO-MERIDIAN DAMPER ASSEMBLY (XV-MERD-DAMP) • X-VENTISO-MERIDIAN ROOM PRESSURE PROBE/ COVER PLATE, STACK PRESSURE PROBE, TUBING (XV-MERD-PRESSKIT) • X-VENTISO-MERIDIAN CONTROL PANEL (XV-MERD-CTLR)
---	7	ISOKERN #133: REQUIRED FOR COMBUSTIBLE FLOOR INSTALLATION
---	14	ASTM C90 16X8X8 CMU: REQUIRED FOR ALTERNATE COMBUSTIBLE FLOOR INSTALLATION

- ### GENERAL NOTES
- THE ISOKERN 72" XCELUX SEE-THRU SERIES FIREPLACE IS A TOP-VENTED, GAS ONLY FIREPLACE THAT IS APPROVED FOR USE ONLY WITH THE ISOFLAMES LINEAR XL BURNER SYSTEM AS SHOWN IN THIS DRAWING (ISFXLB60N/P). USAGE OF ANY OTHER BURNER IN THIS FIREPLACE IS PROHIBITED AND WILL ABSOLVE EARTHORE/ ISOKERN OR ANY DIVISION THEREOF FOR ANY INCIDENTAL OR CONSEQUENTIAL DAMAGES OR EXPENSES ARISING OUT OF THE USE OF THIS FIREPLACE.
 - THIS FIREPLACE'S BURNER SYSTEM (ISFXLB60(N/P)) COMES WITH A GAS CONTROL VALVE ASSEMBLY (XL-VK(N/P)) THAT INCLUDES AN AUTOMATIC DRAFT AND SAFETY SYSTEM.
 - THIS APPLIANCE IS ONLY FOR USE WITH THE TYPE OF GAS INDICATED ON THE BURNER RATING PLATE. VERIFY GAS SUPPLY AND BURNER/ VALVE ARE OF SAME TYPE PRIOR TO INSTALLATION.
 - THE EXHAUST FLUE GASES ARE TO BE VENTED THROUGH THE TOP OF THE UNIT WITH 12" METAL-FAB UL LISTED B-VENT PIPING WITH DOWN-DRAFT DIVERTER. THIS TWELVE INCH (12") DIAMETER, DOUBLE WALL B-VENTING SYSTEM IS NOT SUPPLIED BUT IS REQUIRED FOR PROPER OPERATION.
 - THE XCELUX SEE-THRU SERIES FIREPLACES SHALL BE INSTALLED WITH THE MINIMUM CLEARANCES TO COMBUSTIBLES AS LISTED BELOW:
 - UNIT FRONT: 0"
 - SIDES AND REAR: 1.5"
 - COMBUSTIBLE SHEATHING ABOVE OPENING TOP: 8"
 - SHEATHING OR TRIM TO OPENING SIDES: 8"
 - MANTEL ABOVE OPENING: 12"
 - OPENING TO SIDEWALLS: 24"
 - HEARTH EXTENSION BEYOND FRONT: 20"
 - HEARTH EXTENSION BEYOND SIDES (FINISHED): 12"
 - COMBUSTIBLE FLOOR: 5" (MUST USE COMBUSTIBLE FLOOR INSTALLATION APPLICATION AS DETAILED IN XCELUX INSTALLATION MANUAL, CONTINUOUS 1-1/4" THICK FIREBRICK FLOOR WITH 2-1/2" THICK FIREBRICK BURNER CAVITY, AND ISOFLAMES LINEAR XL BURNER AND VALVE)
 - INSULATION FROM FIREBOX (UNSHIELDED): 3"
 - THIS DESIGN REQUIRES MECHANICAL VENTILATION ASSISTANCE USING THE X-VENTISO-MERIDIAN FAN SYSTEM FOR GAS-ONLY OPERATION. VENT PATHS ARE LIMITED TO A MAXIMUM OF TWO 90° ELBOWS AND MAY TERMINATE EITHER VERTICALLY OR HORIZONTALLY. REFER TO INSTALLATION MANUAL FOR MAXIMUM VENT LENGTHS AND ADDITIONAL INFORMATION REGARDING FLUE RUNS.
 - ENSURE TWO 120VAC/ 15A OUTLETS ARE PROVIDED FOR GAS VALVE AND X-VENTISO-MERIDIAN CONTROL PANEL IN ACCORDANCE WITH INSTALLATION MANUAL. CONTROLS SHALL BE LOCATED IN ACCESSIBLE LOCATION.
 - ALL ACCESSORIES/ EQUIPMENT INSTALLED WITH THIS FIREPLACE TO BE INSTALLED ACCORDING TO MANUFACTURER'S SPECIFICATIONS.
 - INSTALL AND SUPPORT B-VENT PIPE TO ALL MANUFACTURER SPECIFICATIONS. ENSURE MIN. 1" CLEARANCE TO COMBUSTIBLES IS KEPT AT ALL TIMES.
 - IMPORTANT: THE X-VENTISO-MERIDIAN DAMPER ASSEMBLY REQUIRES 2" CLEARANCE TO COMBUSTIBLES WITH HEAT SHIELD INSTALLED. IF HEAT SHIELD IS NOT INSTALLED, THIS CLEARANCE INCREASES TO 18".
 - DRAWINGS ARE FOR DESIGN PURPOSES ONLY AND ARE THE SOLE PROPERTY OF EARTHORE INDUSTRIES. ANY REPRODUCTION OR UNAUTHORIZED USE IS STRICTLY PROHIBITED.
 - EARTHORE/ ISOKERN OR ANY DIVISION THEREOF SHALL NOT BE HELD LIABLE FOR ANY INCIDENTAL OR CONSEQUENTIAL DAMAGES OR EXPENSES ARISING OUT OF THE USE OF THE FIREPLACES OR CHIMNEY SYSTEMS.
 - ALWAYS CHECK LOCAL BUILDING CODES GOVERNING FIREPLACES AND FIREPLACE INSTALLATIONS.

	UNLESS OTHERWISE STATED, ALL DIMENSIONS ARE IN INCHES		PROJECT: 72" XCELUX SEE-THRU SERIES	
	UNSPECIFIED TOLERANCES	THIRD ANGLE PROJECTION	DESCRIPTION: XVENTISO AND XL-VK(N/P) LAYOUT AND LOCATIONS	
ANG. A ±		MATERIAL: E.C. PUMICE MIXTURE		
LIN. XX ±		DRAWN: K.B.H.	DATE: 10/1/2024	SIZE: D
XXX ±		APPROVED:	DATE:	SCALE: N.T.S.
				DRAWING #: 82X72ST
				REV: 1

