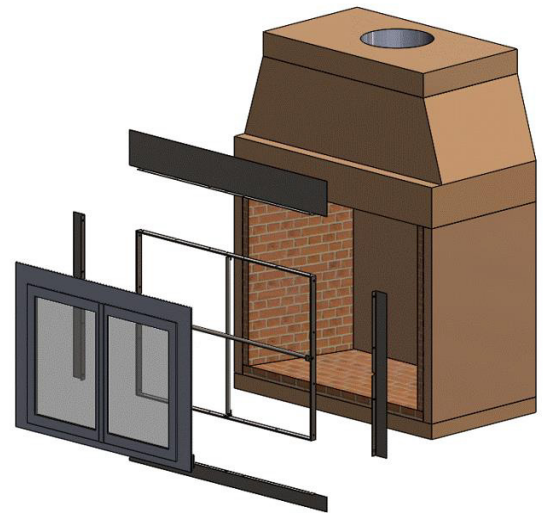


# FIREPLACE *Doors*

STANDARD &  
MAGNUM MODELS

## FEATURES AND BENEFITS:

- **Tested and UL Listed:** UL 127-2011 (R2020), CAN/ULC S610-2018, ESR – NO. 2316
- **Quality Construction:** Heavy duty steel construction with tempered clear glass doors
- **Stylish and Functional:** Compliments other design elements within the home
- **Energy Efficient:** Prevents drafts and maintains consistent temperature in the room
- **Safety:** Prevents accidental spills of hot embers, ash or logs rolling into the room
- **Smoke & Odor Control:** Blocks odors that moisture and soot build-up create



## MOUNTING FRAME APPLICATION:

*\*The Mounting Frame is applied at installation to affix the doors to the fireplace to ensure the correct size and shape.*



## TRUST IN THE QUALITY OF ISOKERN

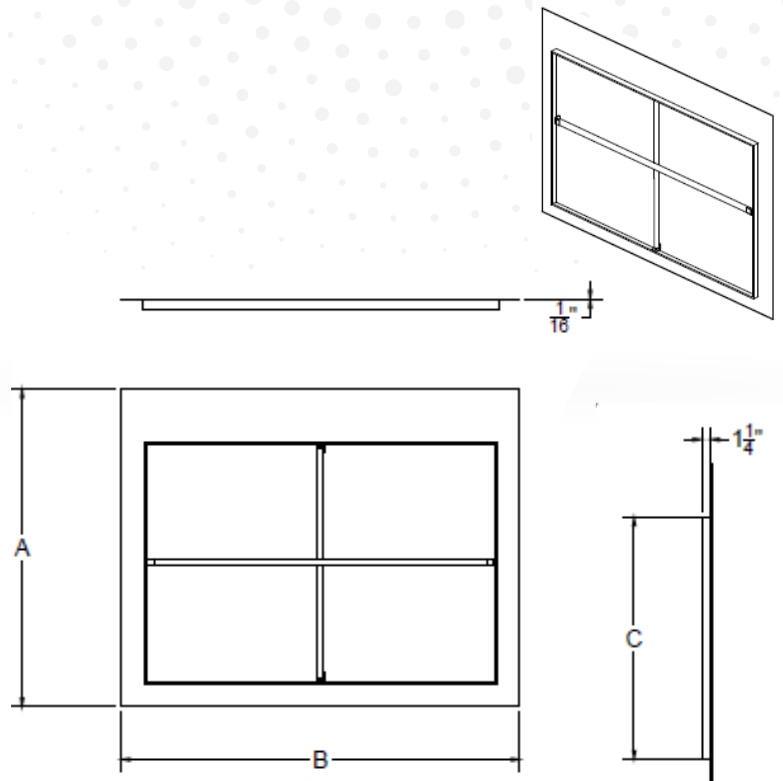
Isokern offers the only modular refractory fireplace system in the industry with ICC ESR Reporting, and is UL tested and listed for the USA and Canada. Our fireplace doors are artisan-crafted and certified to be energy efficient and safe.

# Glass Door Components

## MOUNTING FRAME

Standard	Model	A	B	C
	80S36	36"	43"	26"
	80S42	36"	49"	26"
	80S46	36"	53"	26"

Magnum	Model	A	B	C
	82036	42"	43"	32"
	82042	42"	49"	32"
	82048	42"	53"	32"



## DOOR FRAME WITH GLASS DOORS

(Isowool, brackets, masonry anchors also included)

Standard	Model	A	B	C
	80S36	26"	35"	33"
	80S42	26"	41"	39"
	80S46	26"	45"	43"

Magnum	Model	D	E	F
	82036	32"	35"	33"
	82042	32"	41"	39"
	82048	32"	47"	45"

