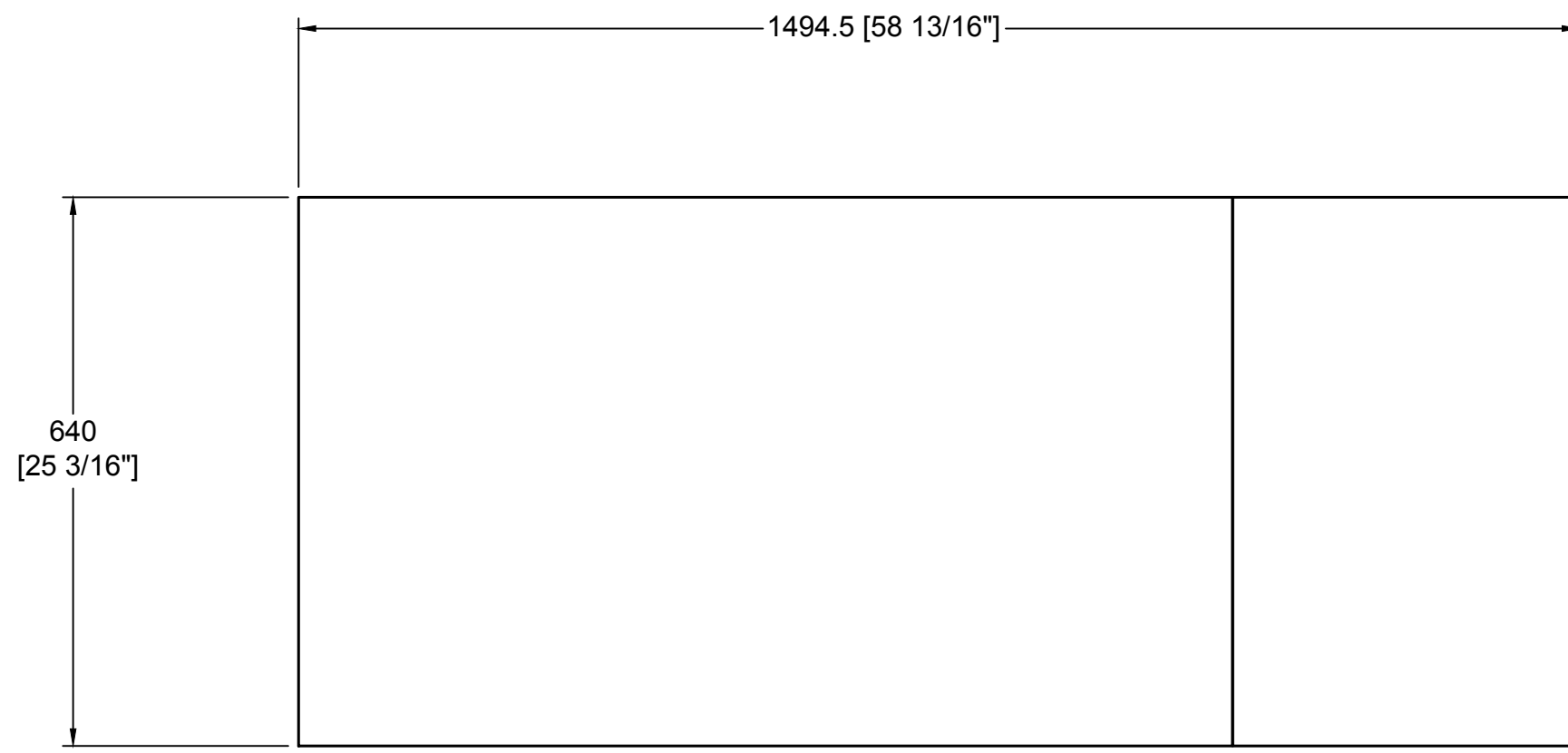
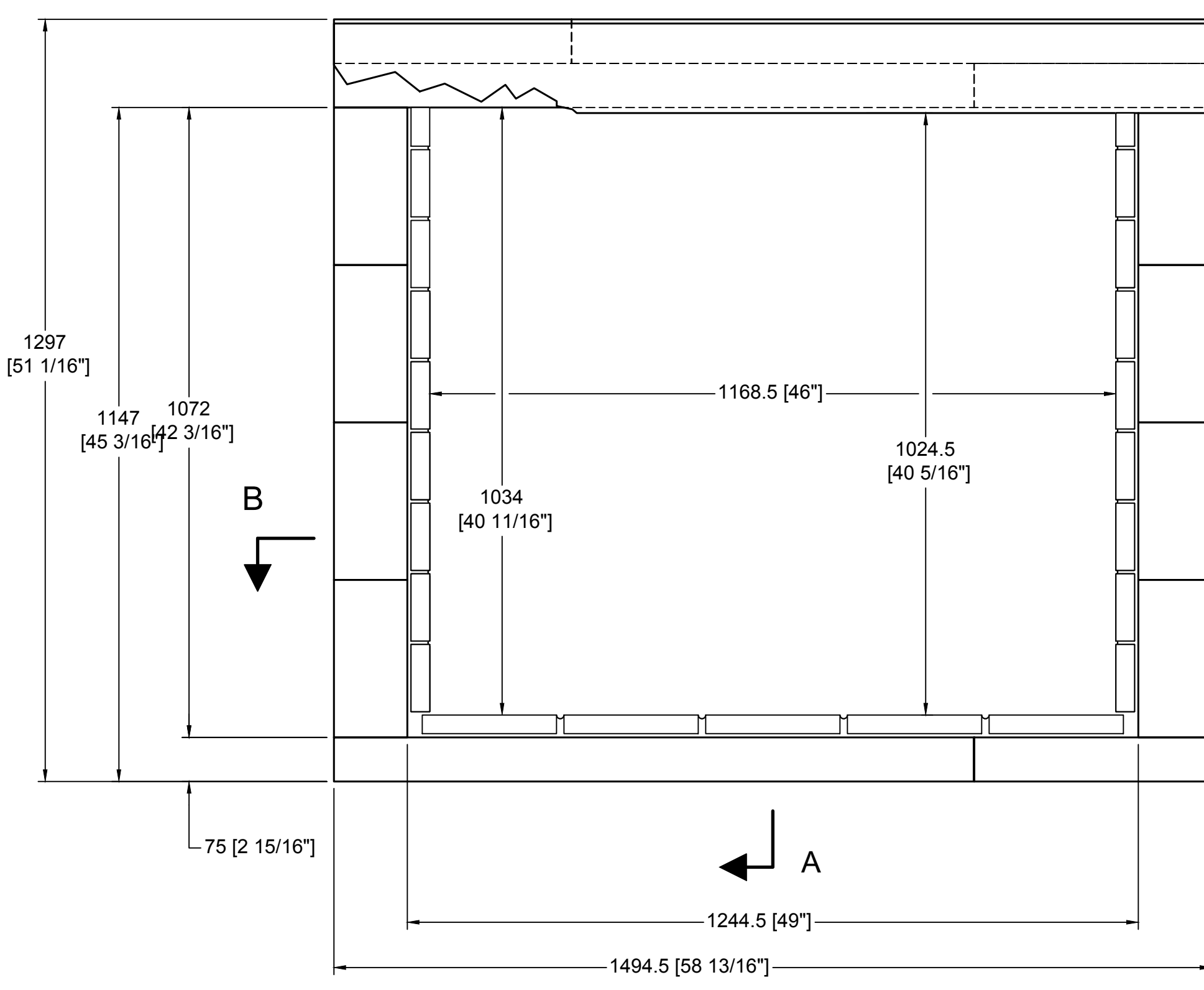


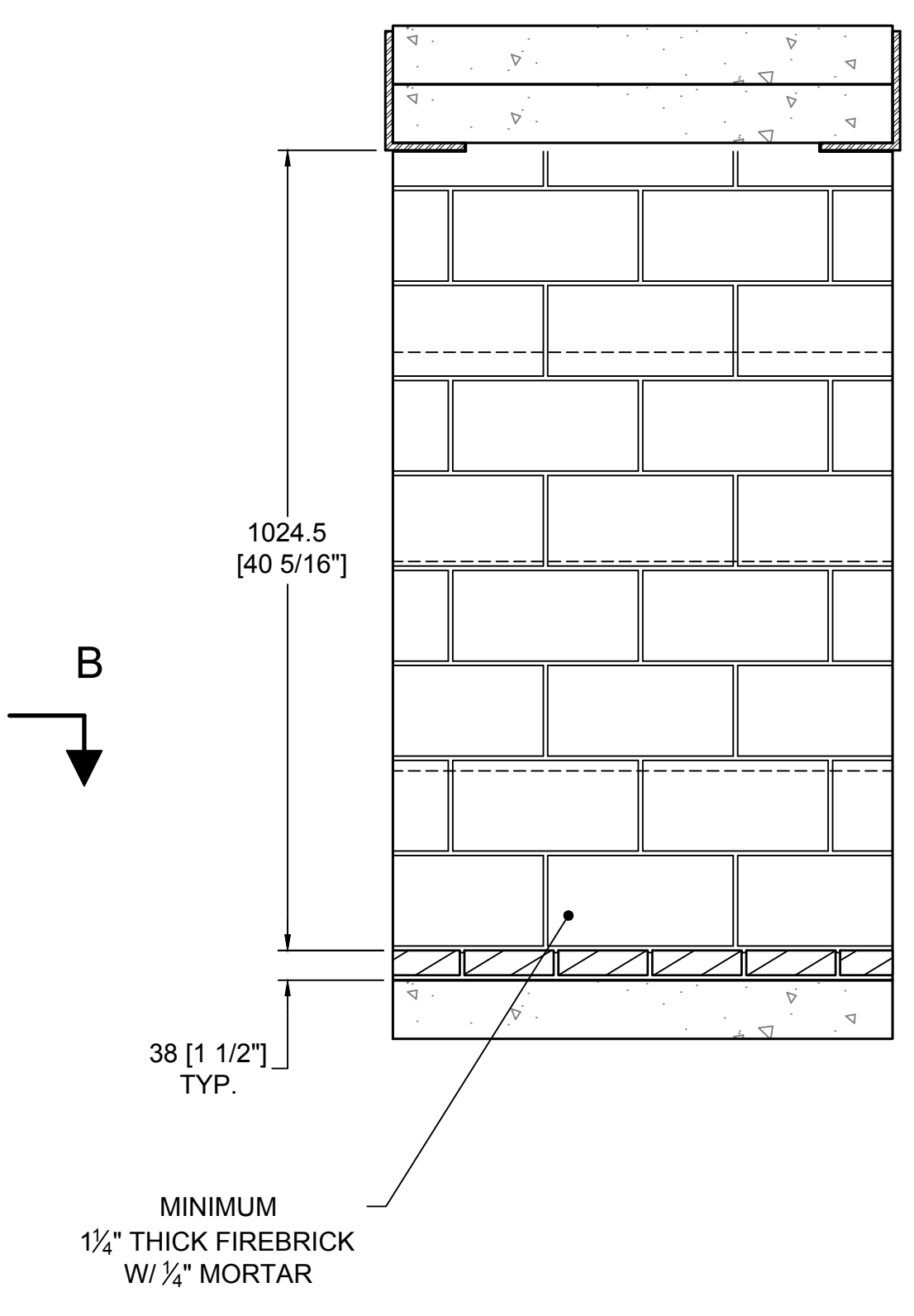
TOP VIEW
(LEVEL TWO)



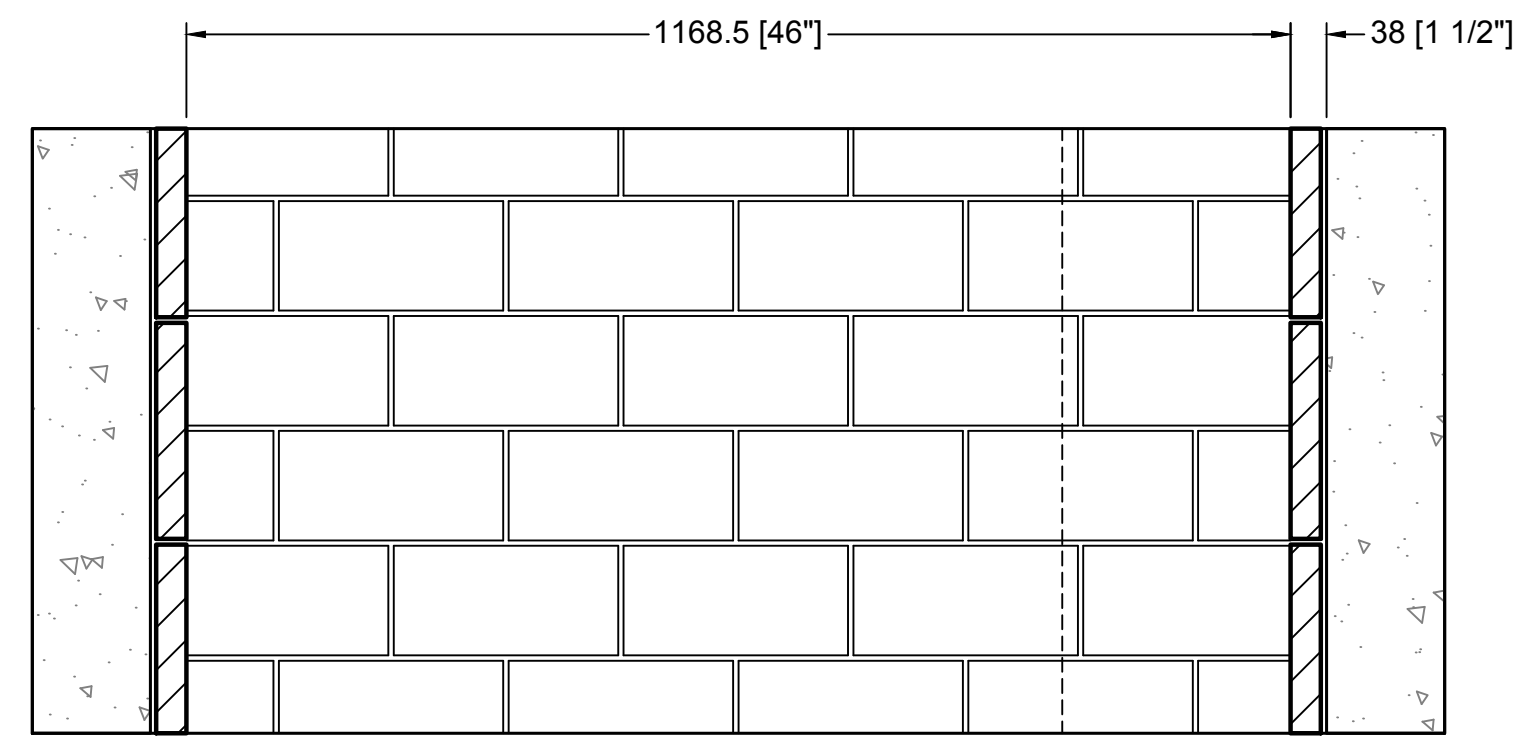
TOP VIEW
(LEVEL ONE)



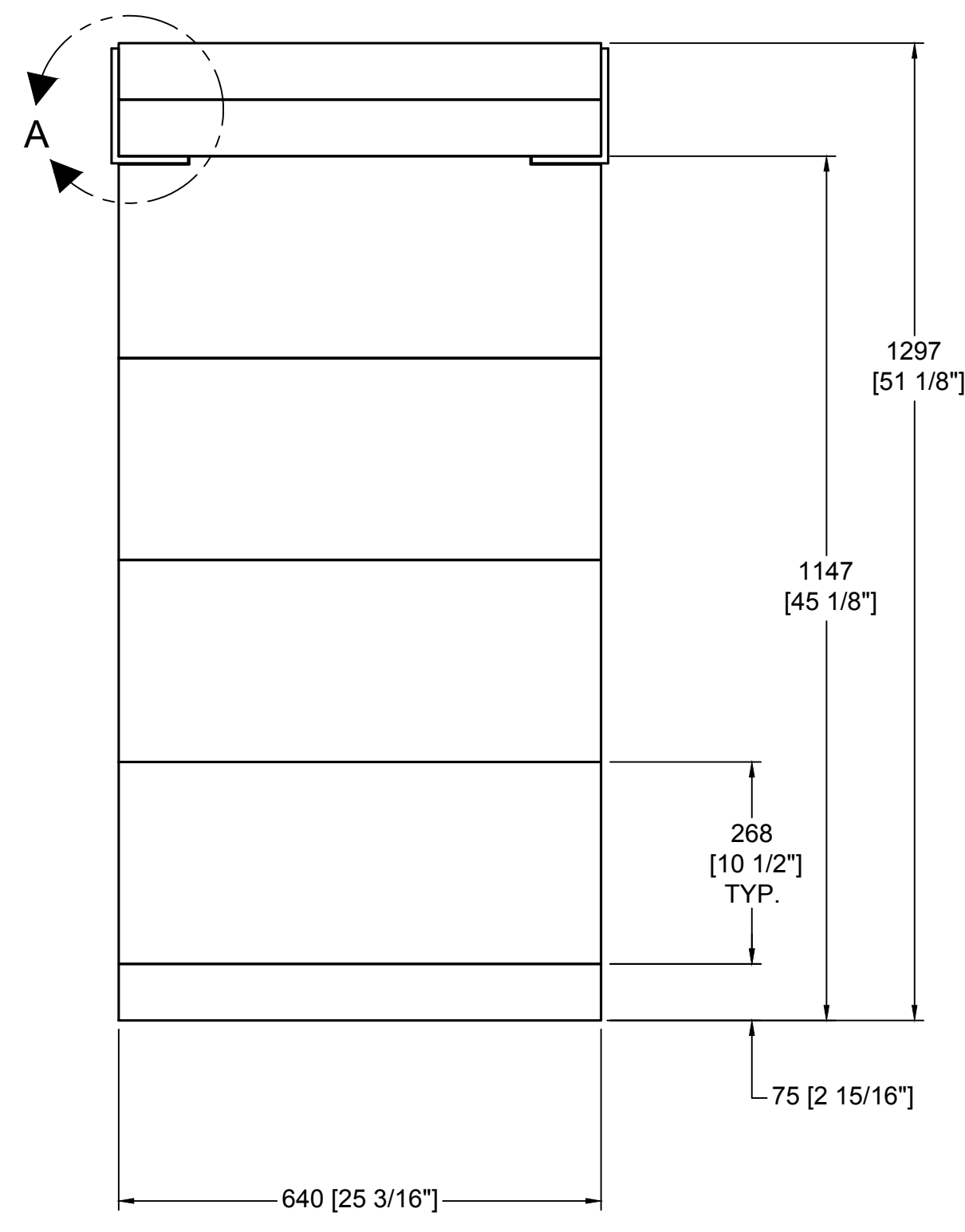
FRONT VIEW



SECTION A-A
VERTICAL FIREBRICK DETAIL



SECTION B-B
HORIZONTAL FIREBRICK DETAIL



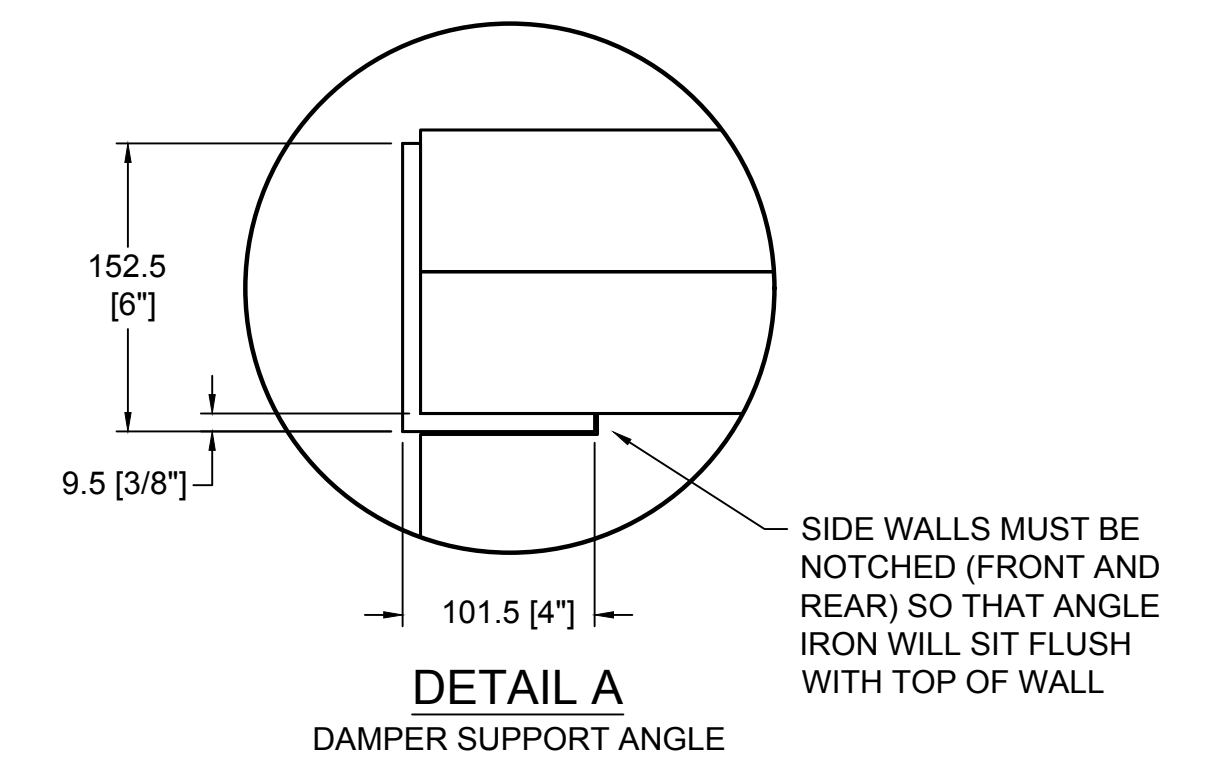
RIGHT-SIDE VIEW

| COMPONENT LIST | | |
|----------------|---|------|
| PART # | DESCRIPTION | QTY. |
| 21 | BASEPLATE-36" (STD) | 3 |
| 21a(CC) | CUSTOM CUT BASEPLATE-36" (STD) | 3 |
| 25(CC) | CUSTOM CUT SIDE WALLS (36 STANDARD) | 8 |
| 100 | 4 x 6 x 3/8" STEEL ANGLE; NOT SUPPLIED BY EARTHCORE | 2 |

GENERAL NOTES

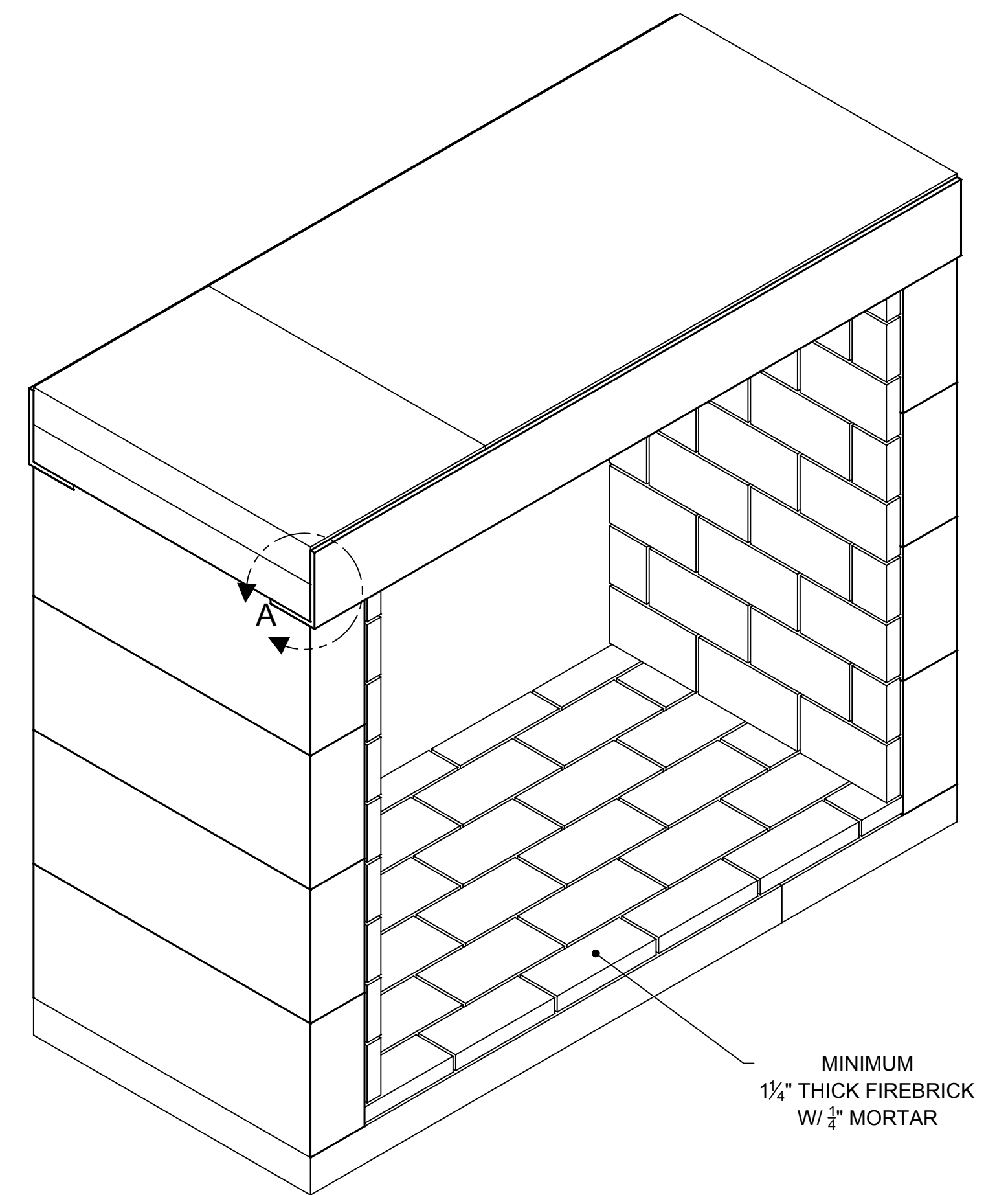
- THIS IS A CUSTOM ISOKERN FIREPLACE AND CARRIES NO LISTING, UL OR OTHERWISE.
- DRAWINGS ARE FOR DESIGN PURPOSES ONLY AND ARE THE SOLE PROPERTY OF EARTHCORE INDUSTRIES. ANY REPRODUCTION OR UNAUTHORIZED USE IS STRICTLY PROHIBITED.
- EARTHCORE/ ISOKERN OR ANY DIVISION THEREOF SHALL NOT BE HELD LIABLE FOR ANY INCIDENTAL OR CONSEQUENTIAL DAMAGES OR EXPENSES ARISING OUT OF THE USE OF THE FIREPLACES OR CHIMNEY SYSTEMS.
- ALWAYS CHECK LOCAL BUILDING CODES GOVERNING FIREPLACES AND FIREPLACE INSTALLATIONS.
- DO NOT BUILD A FIRE IN THIS ENCLOSURE.
- THE VENT-FREE FIREBOX MAY BE INSTALLED AT "ZERO CLEARANCE" TO PLYWOOD SHEATHING AND TO UN-INSULATED WOOD FRAMING MEMBERS AT THE UNIT BOTTOM, SIDES, REAR AND TOP WHEN USED FOR ENCLOSING ANY LISTED UNVENTED GAS-FIRED LOG SET WITH MAXIMUM HEAT INPUT RATINGS UP TO 40,000 BTU/HR.
- WHEN A VENT-FREE FIREBOX IS TO BE INSTALLED ON CARPETING, TILE, OR ANY COMBUSTIBLE MATERIAL OTHER THAN WOOD FLOORING OR CONCRETE, THE VENT-FREE FIREBOX SHALL THEN BE INSTALLED ON A METAL OR WOOD PANEL EXTENDING THE FULL WIDTH AND DEPTH OF THE VENT-FREE FIREBOX.
- AT THE FRONT OF THE FIREBOX, ALL COMBUSTIBLE TRIM MUST BE KEPT A MINIMUM OF 12" FROM THE TOP, AND 8" FROM THE SIDES OF THE FIREBOX OPENING.
- KEEP ALL INSULATION MATERIAL TO A MINIMUM OF THREE INCHES (3") AWAY FROM THE OUTSIDE SURFACES OF THE VENT-FREE FIREBOX.
- THESE MODELS CANNOT BE INSTALLED IN A BEDROOM UNLESS MAXIMUM BTU RATING OF INSTALLED VENT-FREE LOG SET IS LESS THAN 10,000 BTU/HR.

DETAILS (N.T.S)



DETAIL A
DAMPER SUPPORT ANGLE

ISOMETRIC VIEW (N.T.S)



| | | | | | |
|----------|--|-------------------------------|--|--------------------|----------------------|
| | UNLESS OTHERWISE STATED, ALL DIMENSIONS ARE IN MILLIMETERS | | PROJECT: 46" VENT FREE-SEE THRU-TALL | | |
| | UNSPECIFIED TOLERANCES | THIRD ANGLE PROJECTION | DESCRIPTION: FIREPLACE CONSTRUCTION DOCUMENT | | |
| ANG. X ± | | MATERIAL: E.C. PUMICE MIXTURE | | | |
| LIN. X ± | | DRAWN: K.B.H. | DATE: 6/6/2018 | SIZE: 1-1/2"=1'-0" | DRAWING #: 81046ST-B |
| X ± | | APPROVED: | DATE: | DO NOT SCALE | SHEET # 1 OF 1 |
| XX ± | | | | | |