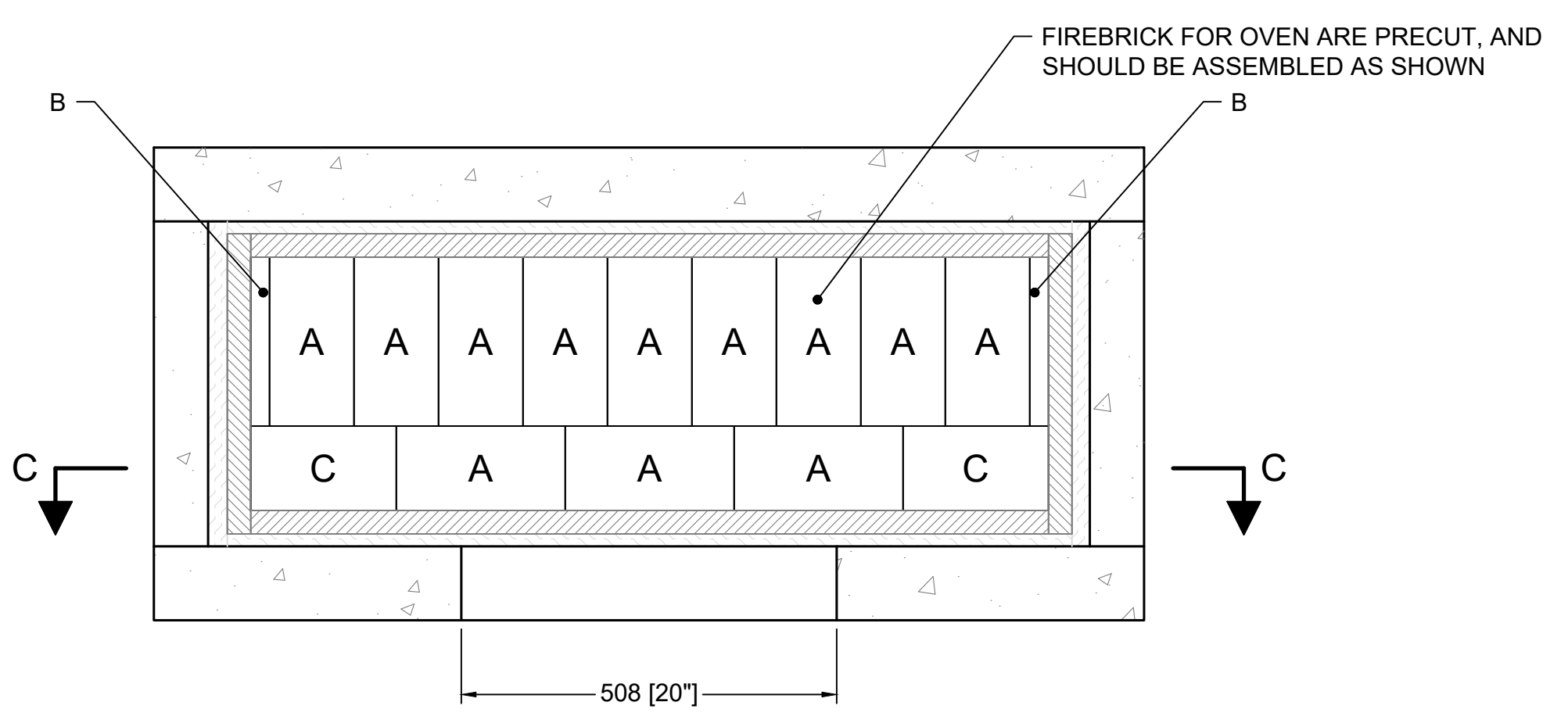
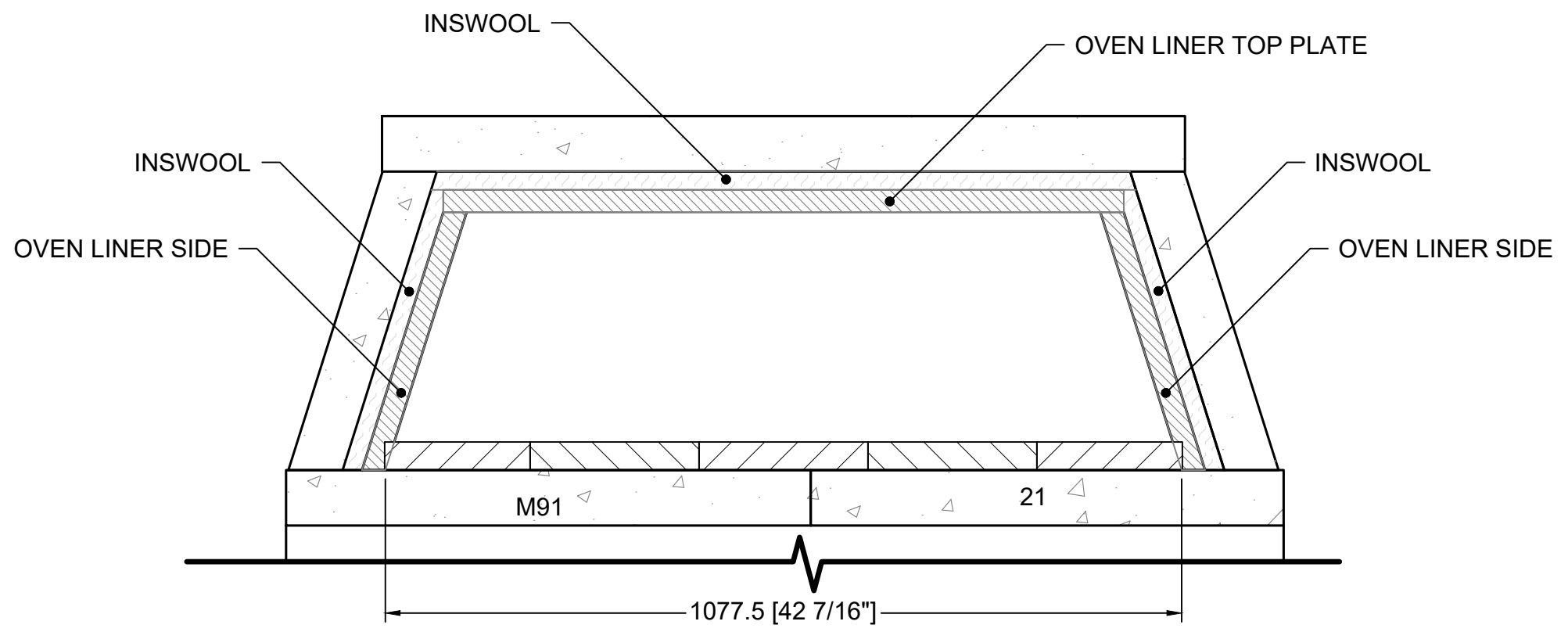


FIREBRICK DETAILS				
PART #	LENGTH	WIDTH	THICKNESS	QTY.
A	9 1/2"	4 1/2"	1 1/4"	12
B	9 1/2"	1"	1 1/4"	2
C	7 3/4"	5 1/2"	1 1/4"	2



SECTION B-B
HORIZONTAL OVENLINER AND FIREBRICK LAYOUT DETAILS

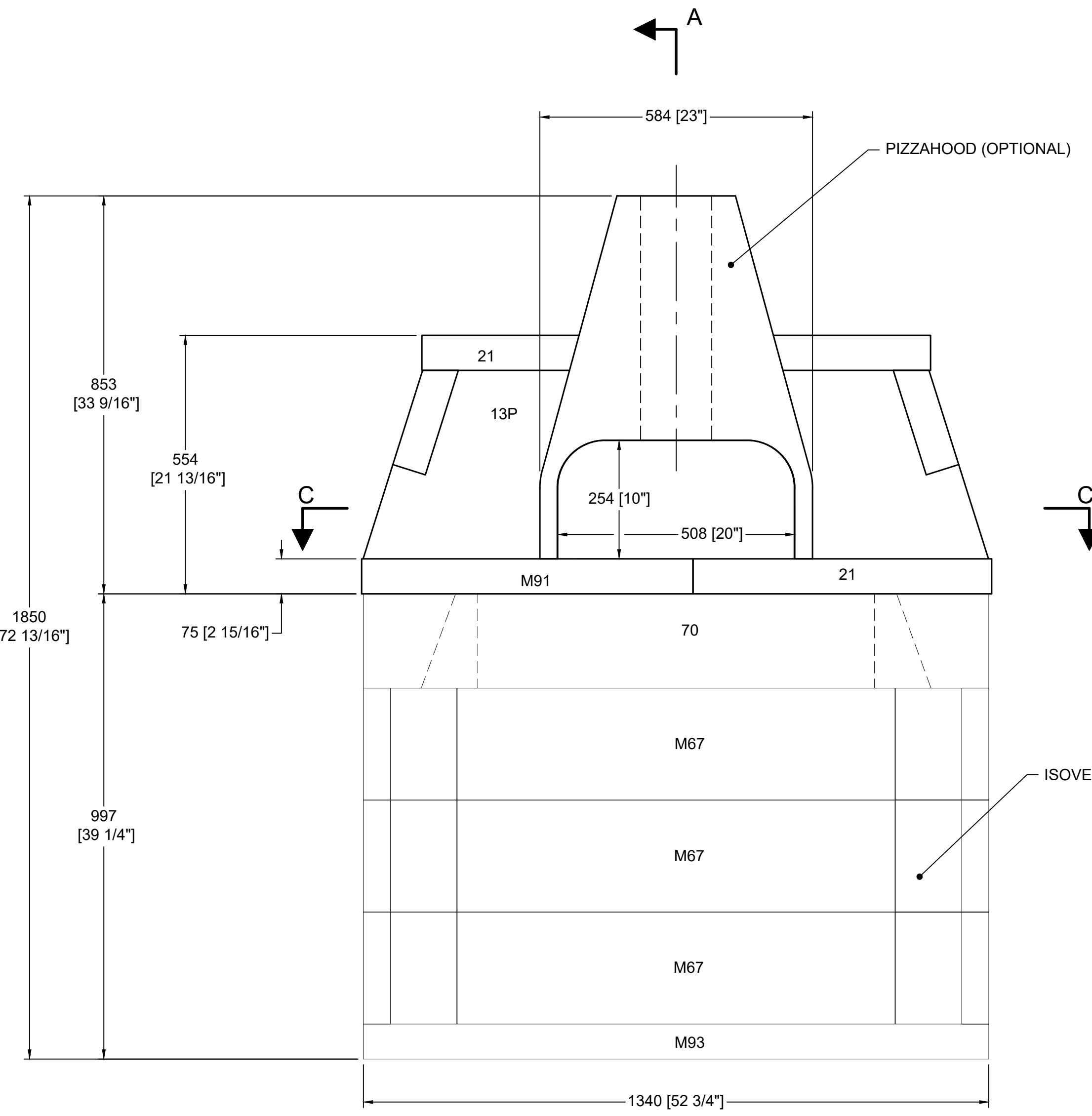


SECTION C-C
VERTICAL OVENLINER AND FIREBRICK LAYOUT DETAILS

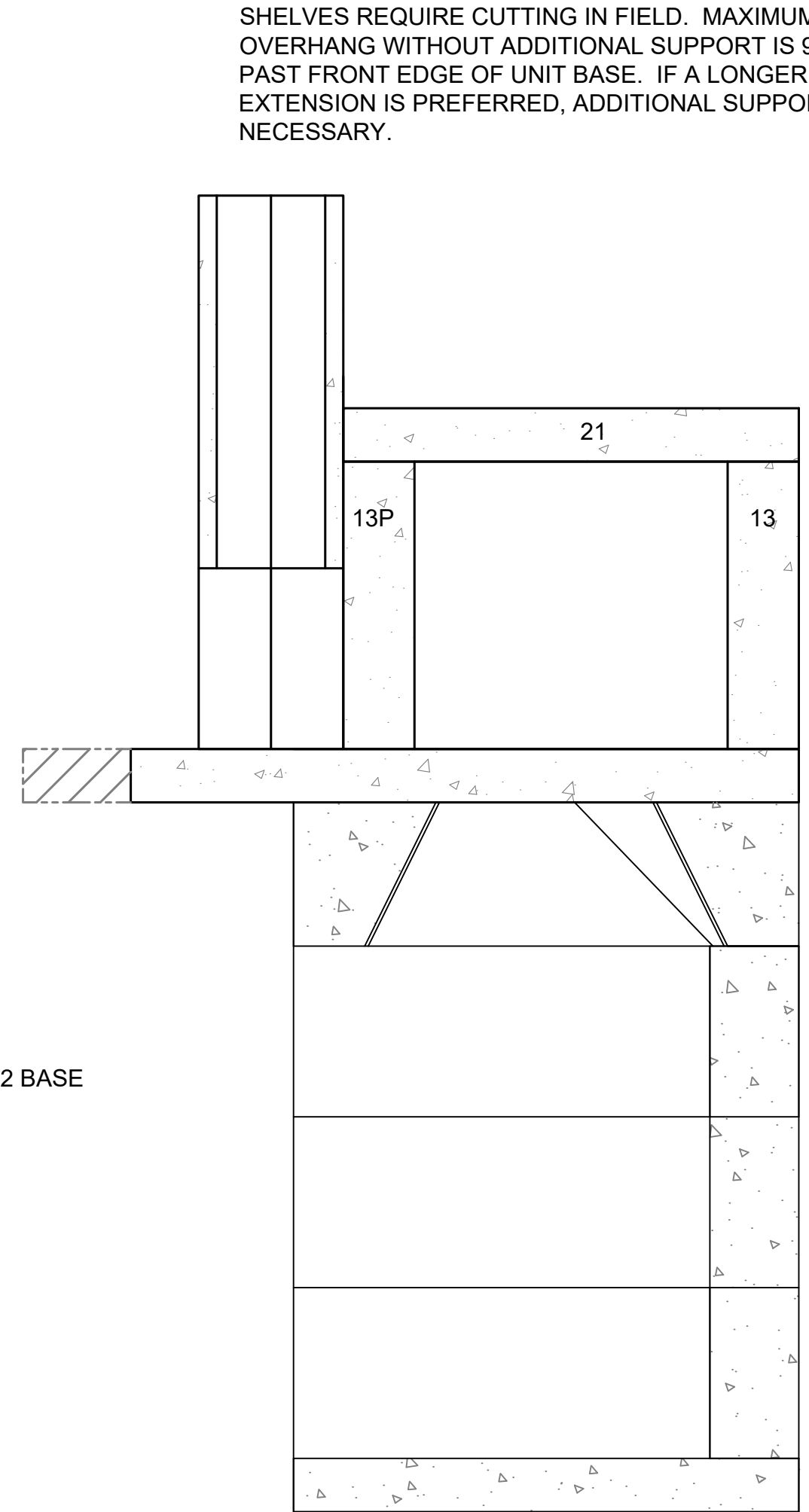
TOP VIEW

SHELVES REQUIRE CUTTING IN FIELD. MAXIMUM OVERHANG WITHOUT ADDITIONAL SUPPORT IS 9" PAST FRONT EDGE OF ISOVEN-2 BASE. IF A LONGER EXTENSION IS PREFERRED, ADDITIONAL SUPPORT IS NECESSARY.

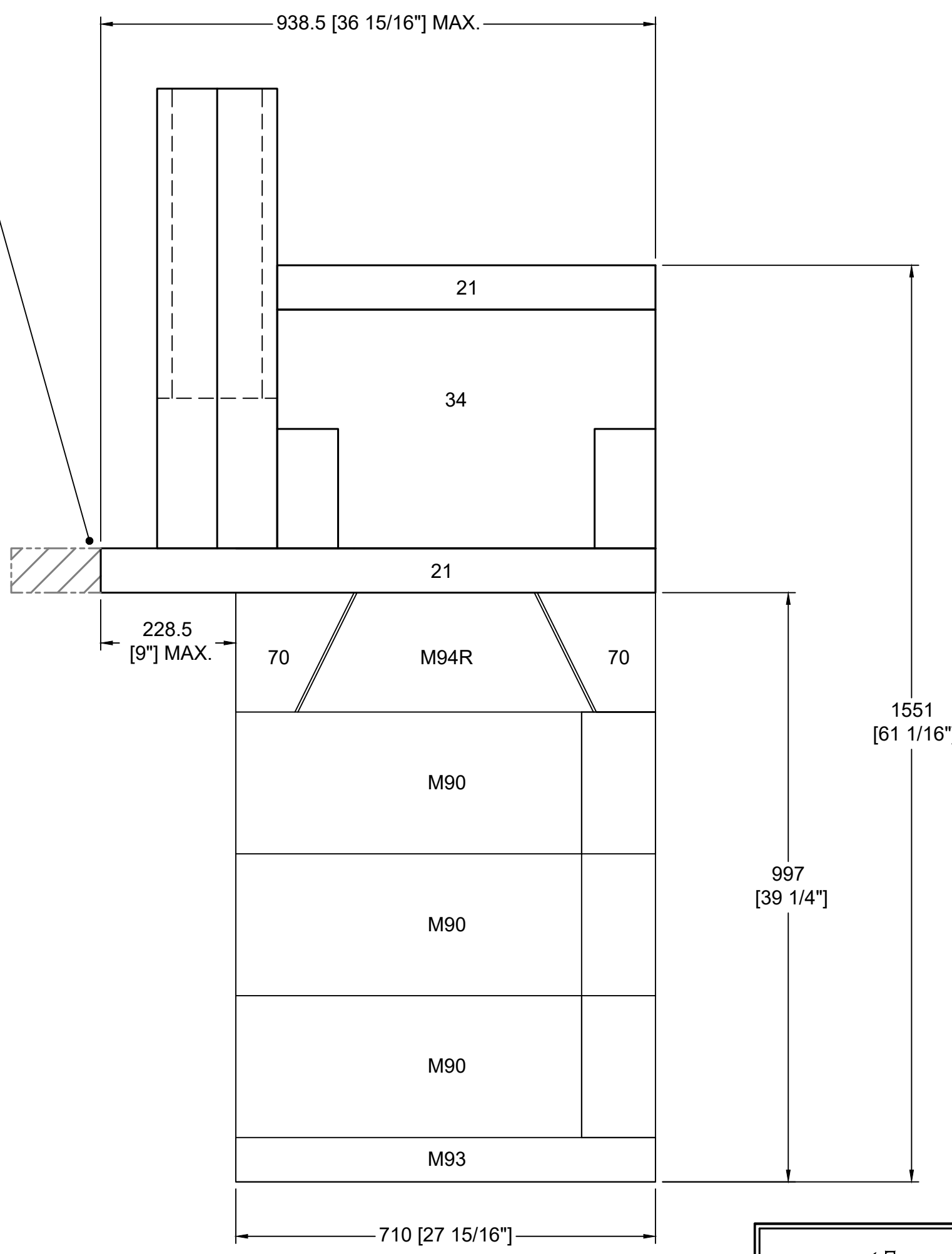
SHELVES REQUIRE CUTTING IN FIELD. MAXIMUM OVERHANG WITHOUT ADDITIONAL SUPPORT IS 9" PAST FRONT EDGE OF UNIT BASE. IF A LONGER EXTENSION IS PREFERRED, ADDITIONAL SUPPORT IS NECESSARY.



FRONT VIEW



SECTION A-A
VERTICAL SECTION



RIGHT-SIDE VIEW

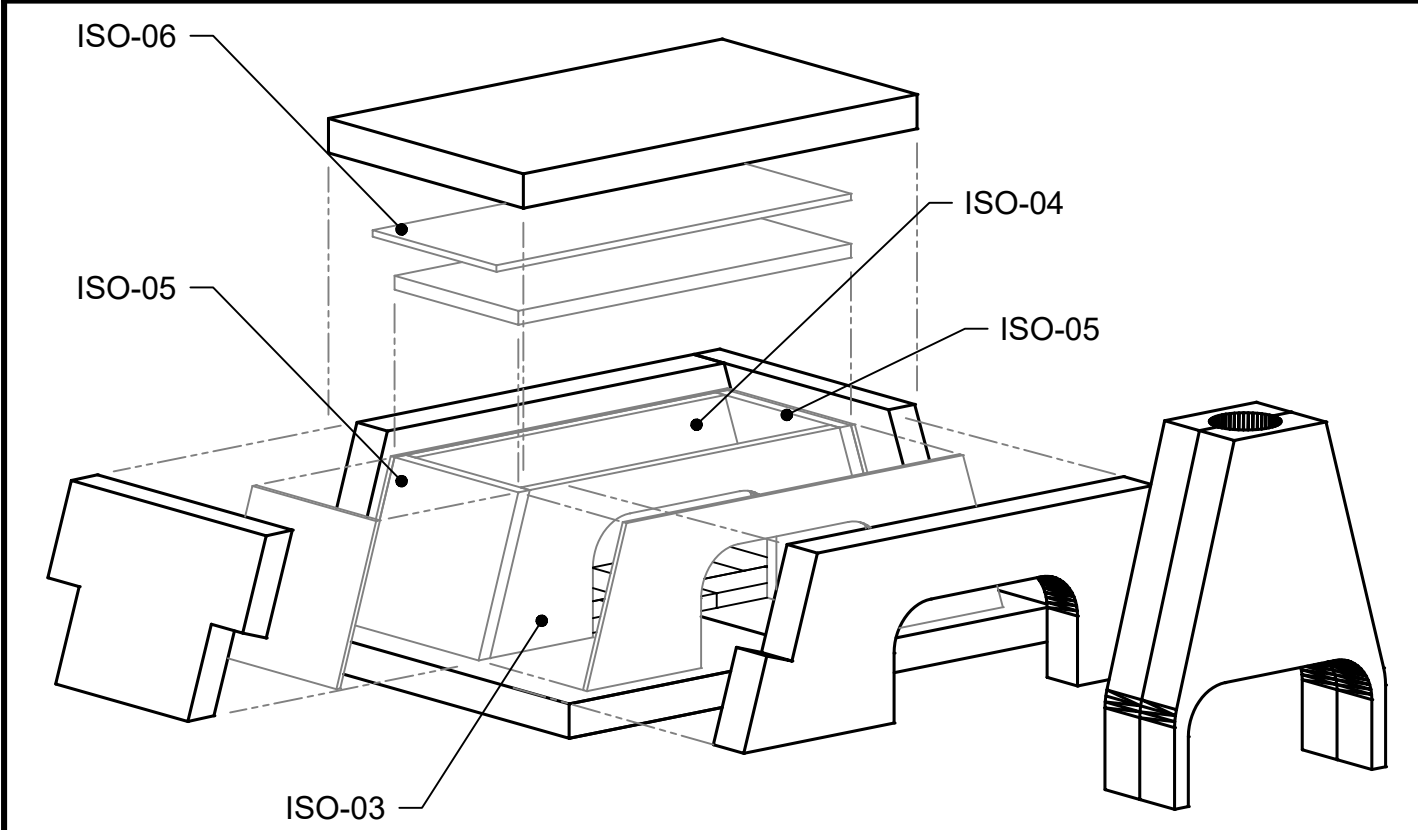
COMPONENT LIST

ISOVEN-1-TABLE TOP PIZZAOVEN (REQUIRED; PURCHASED SEPARATELY)		
13	SMOKE DOME (LARGE)	1
13P	ISOven SMOKE DOME	1
34	TOP SLOPING	2
21	BASE PLATE-36	2
M91	MAGNUM BASE PLATE-36	1
ISO-03	ISOven LINER; FRONT	1
ISO-04	ISOven LINER; REAR	1
ISO-05	ISOven LINER; SIDES	2
ISO-06	ISOven LINER; TOP	1
FIREBRICK KIT	ISOven FIREBRICK KIT	1
INSWOOL	INSWOOL CERAMIC FIBER BLANKET	N/A
ISOVEN-2 PIZZA OVEN BASE		
70	DAMPER BEAM-48"	2
M67	MAGNUM BACK WALL-48"	4
M90	MAGNUM SIDEWALL	8
M93	MAGNUM BASE PLATE-48"	1
M94L	MAGNUM DAMPER END BLOCK; LEFT	1
M94R	MAGNUM DAMPER END BLOCK; RIGHT	1
PIZZAHOOD	ISOVEN CHIMNEY HOOD	1

GENERAL NOTES

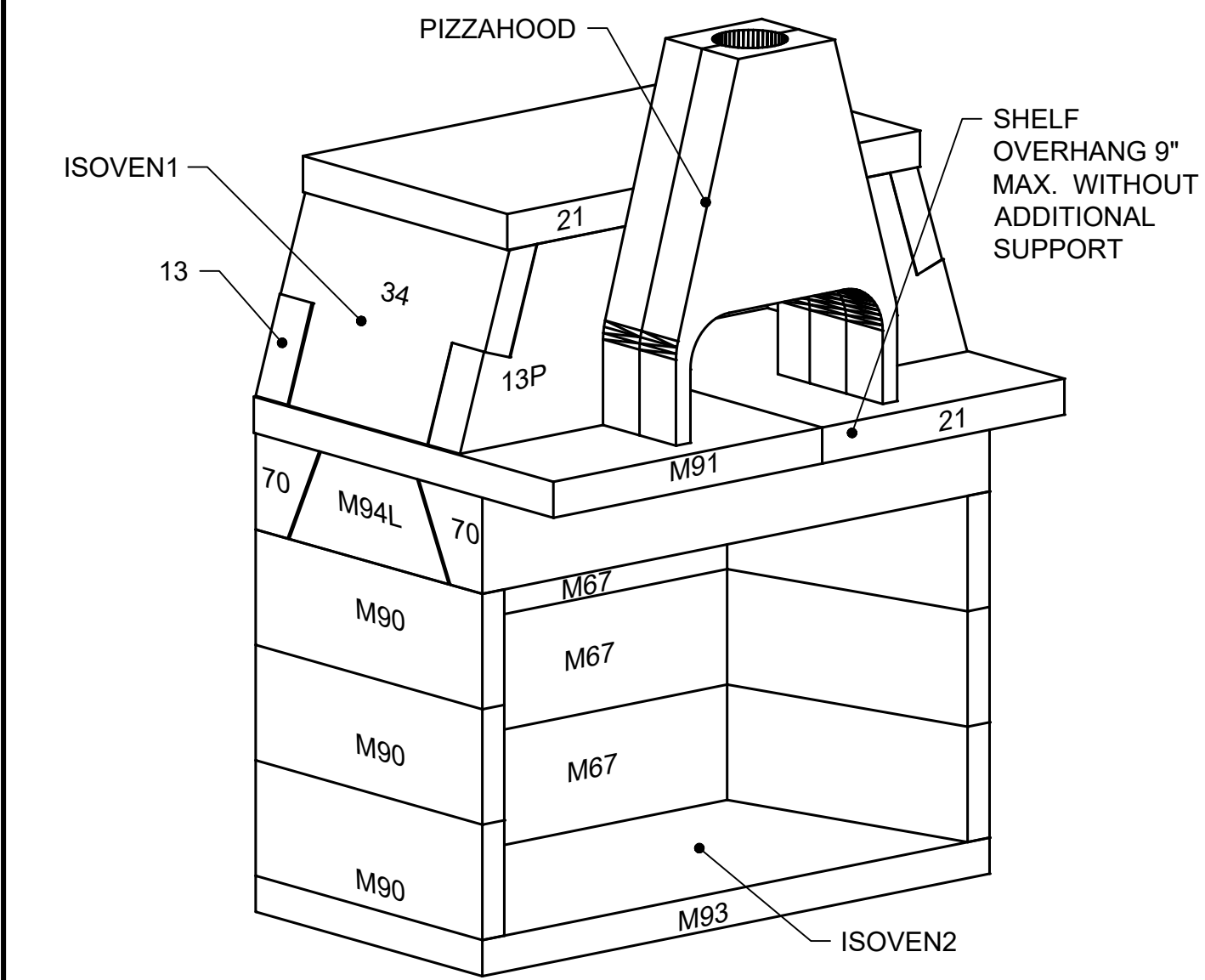
1. THE ISOVEN WOOD FIRED OVEN IS INTENDED TO BURN SOLID WOOD FUEL. A GAS STARTER OPTION IS AVAILABLE.
2. THIS WOOD FIRED OVEN IS NOT DESIGNED TO SIT DIRECTLY ON A COMBUSTIBLE FLOOR SYSTEM.
3. THIS WOOD FIRED OVEN IS NOT INTENDED FOR INDOOR USE. ISOVEN WOOD FIRED OVENS ARE INTENDED FOR USE IN AN OUTDOOR SITUATION WHERE A TRADITIONAL MASONRY PIZZA/BREAD OVEN WOULD BE UTILIZED.
4. THE USE OF A VENTING SYSTEM IS OPTIONAL WITH THE ISOVEN. THE ISOVEN IS DESIGNED TO VENT FROM THE FRONT OF THE OVEN, HOWEVER, THE INSTALLATION OF A FRONT ANCHORED VENT IS ACCEPTABLE.
5. OVER-FIRING, ABUSIVE BURNING OR MISTREATMENT WILL VOID ANY CLAIMS (EG. BURNING CONSTRUCTION DEBRIS OR OTHER HIGHLY FLAMMABLE MATERIAL, TOSING, KICKING OR OTHERWISE FORCING LOGS INTO THE OVEN).
6. ISOVEN WOOD FIRED OVENS ARE UNIQUE OUTDOOR WOOD FIRED OVENS.
7. ENSURE THAT THE ISOVEN WOOD FIRED OVEN IS INSTALLED PER INSTALLATION MANUAL SPECIFICATIONS.
8. DRAWINGS ARE FOR DESIGN PURPOSES ONLY AND ARE THE SOLE PROPERTY OF EARTHCORE INDUSTRIES. ANY REPRODUCTION OR UNAUTHORIZED USE IS STRICTLY PROHIBITED.
9. EARTHCORE/ISOKERN OR ANY DIVISION THEREOF SHALL NOT BE HELD LIABLE FOR ANY INCIDENTAL OR CONSEQUENTIAL DAMAGES OR EXPENSES ARISING OUT OF THE USE OF THE FIREPLACES OR CHIMNEY SYSTEMS.
10. ALWAYS CHECK LOCAL BUILDING CODES GOVERNING FIREPLACES AND FIREPLACE INSTALLATIONS.

ISOVEN-1 EXPLODED ASSEMBLY (N.T.S)



IMPORTANT: INSWOOL IS REQUIRED BETWEEN ISOKERN COMPONENTS AND OVEN LINER. DO NOT MORTAR OVEN LINER OR INSWOOL TO ISOKERN MATERIAL!!!

COMPLETED ASSEMBLY (N.T.S)



earthcore
INDUSTRIES, L.L.C.
6899 Phillips Industrial Blvd.
Jacksonville, FL 32256

UNLESS OTHERWISE STATED, ALL DIMENSIONS ARE IN MILLIMETERS

PROJECT: **ISOVEN 2 W/ PIZZAHOOD**

DESCRIPTION: STORAGE BASE FOR ISOVEN 1 TABLE TOP PIZZA OVEN W/ CHIMNEY HOOD

MATERIAL: E.C. PUMICE MIXTURE

DRAWN: K.B.H. DATE: 11/16/2020

SCALE: 1-1/2"=1'-0"

DRAWING #: ISOVEN2

APPROVED: DATE: DO NOT SCALE SHEET # 1 OF 1