

Glass Doors for Isokern[®] MAGNUM[®] & STANDARD[®] Fireplace

Supplemental Installation, Operation, Maintenance and Owner's Manual

FOR MAGNUM MODELS 82036, 82042, 82048

FOR STANDARD MODELS 80S36, 80S42, 80S46

A PRODUCT OF EARTHCORE INDUSTRIES, LLC.

IMPORTANT: This supplemental manual contains assembly rules, installation steps, guidelines, use and maintenance instructions for GLASS DOORS with MAGNUM 82036, 82042, 82048; STANDARD 80S36, 80S42, 80S46 fireplace. This manual must become the property of and be reviewed by all current and future users of this product. It is the responsibility of the installer of this product to ensure that the instructions in this manual are followed exactly and that any allowed gas log appliance used in this product be installed in strict accordance with NFPA 58, NFPA 54/ANSI Z223.1 and the gas log manufacturer's explicit installation, sizing, and operation instructions. It is the responsibility of the installer to provide adequate clearances from all firebox surfaces as specified in this manual. For more detailed instructions regarding firebox assembly reference the Magnum or Standard fireplace installation manual.

This fireplace is tested and listed for use with glass doors. When doors are used, operate fireplace with the doors fully open or fully closed position.

INSTALLER: Leave this manual with the fireplace
CONSUMER: Retain this manual for future reference

**Be Sure to Read Entire Manual Before Beginning Construction.
Contents of this manual may change without prior notification.**

DO NOT install the MAGNUM or STANDARD Series Fireplace in a manufactured home or mobile home or recreational vehicle.

SBCCI NO. 9626
NYC-MEA 241-90-E
ICC Report NO. ESR-2316
LA RR NO. 25483
IBC 2006, IRC 2006, IMC 2006
Listing Services Report NO. 3159656MID-008



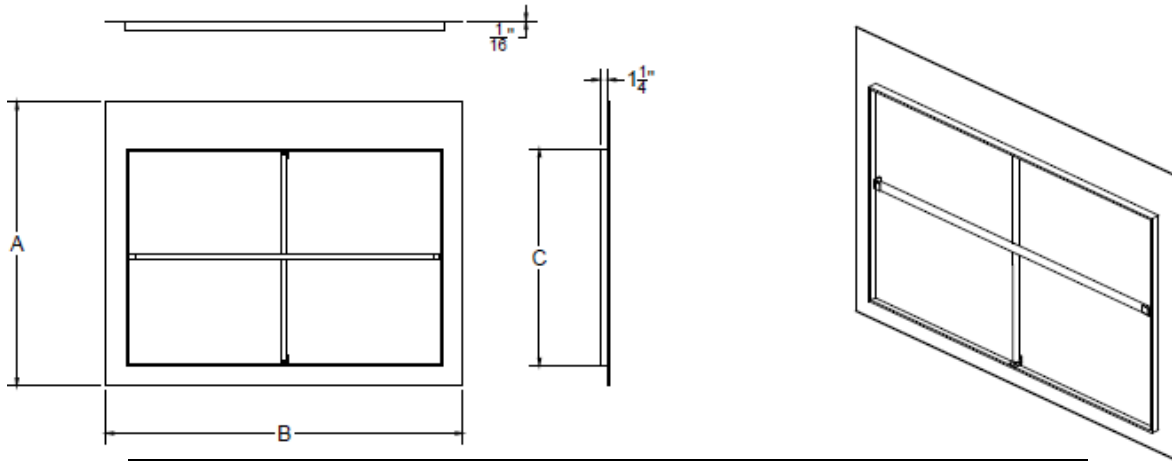
Issued: NOV 2024
©2024 Earthcore Industries, LLC

**THESE FIREPLACES ARE DESIGNED for USE with:
Solid Wood Logs, PROPANE (LP) or NATURAL GAS (NG), ONLY**

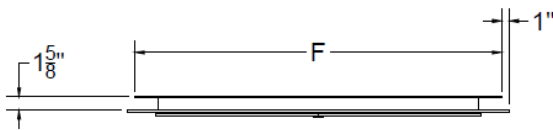
THIS MANUAL CAN ONLY BE REPRODUCED IN ITS ENTIRETY

Glass Door Components

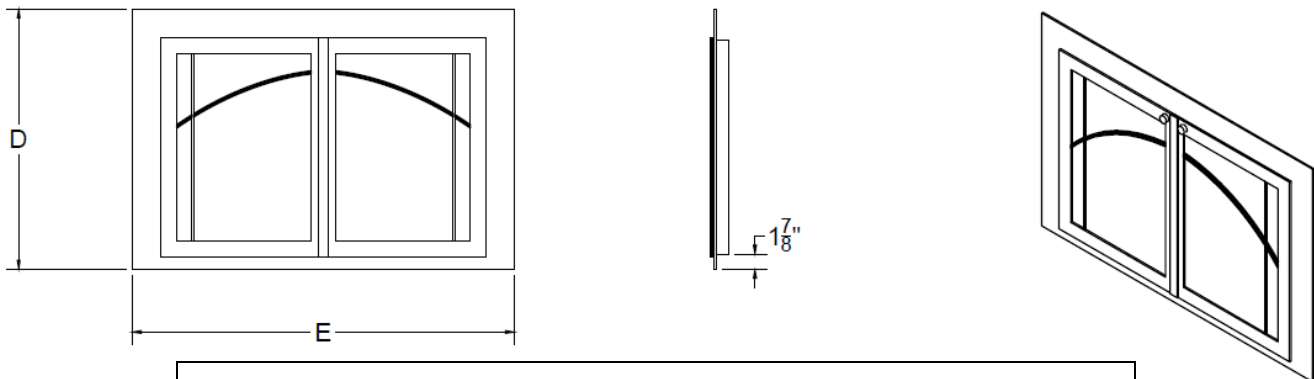
MOUNTING FRAME



SERIES	MODEL	A	B	C
STANDARD	80S36	36"	43"	26"
	80S42	36"	49"	26"
	80S46	36"	53"	26"
MAGNUM	82036	42"	43"	32"
	82042	42"	49"	32"
	82048	42"	53"	32"



DOOR FRAME w/GLASS DOORS (Isowool, brackets, masonry anchors also included)



SERIES	MODEL	D	E	F
STANDARD	80S36	26"	35"	33"
	80S42	26"	41"	39"
	80S46	26"	45"	43"
MAGNUM	82036	32"	35"	33"
	82042	32"	41"	39"
	82048	32"	47"	45"

Glass Door Applications – Glass Door Assembly Installation

Make sure door is not damaged, and if it is, contact your Earthcore Dealer and the shipper to make a claim.

DO NOT USE OR INSTALL MECHANICAL EXHAUST FANS WHEN GLASS DOORS ARE INSTALLED.

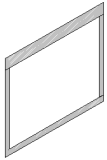
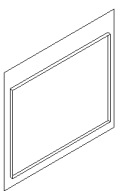
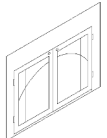
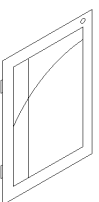
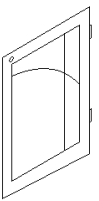
Make sure the firebrick lining has been set for 48 - 72 hours prior to installation of the door.

- Lay a large canvas or similar covering in front of the fireplace on the hearth. Follow instruction on diagram for installation of anchors and other hardware. It is very important to install enclosures that the frame is not twisted or tweaked. This is a very common installation error that can damage the glass or make the door difficult to keep closed. Proper installation guarantees a longer life and warranty protection for your enclosure. Remove doors from frame and install frame first. Then check the doors for fit/twist correction/etc.
- Install so the frame is flush to the fireplace opening. Earthcore does not warranty installation. We recommend the services of local fireplace companies or masons when possible.
- Use a masonry drill bit to drill into firebrick or Isokern for lead anchors, which are provided.
- Once the frame is in desired position, attach brackets to frame with bolts and nuts provided. You will want to bend the bracket in a manner that will allow it to make contact with the firebrick inside the fireplace. It will also allow you to mark where your lead anchors need to be installed. The bracket needs to be flush to the firebrick surface so the lag will fully tighten to the anchor.
- Remember to inform your customers/builders about NOT covering up the fireplace door and hinges, so that they are not affected during the construction process.
- All doors come with 5mm fully tempered-soda lime glass.

FIREPLACE SERIES	FIREPLACE MODEL NUMBER	DOOR MODEL NUMBER	DOOR MOUNTING FRAME	FIRE-LITE FLOOR KIT NUMBER <i>(IF APPLICABLE)</i>
STANDARD SERIES	80S36	80S36-C-S-SB	80S36-MF	FLK-36S
	80S42	80S42-C-S-SB	80S42-MF	FLK-42S
	80S46	80S46-C-S-SB	80S46-MF	FLK-46S
MAGNUM SERIES	82036	82036-C-S-SB	82036-MF	FLK-36M
	82042	82042-C-S-SB	82042-MF	FLK-42M
	82048	82048-C-S-SB	82048-MF	FLK-48M

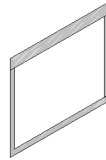
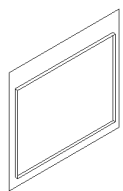
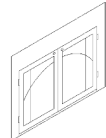
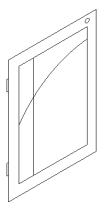
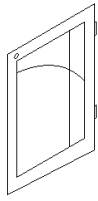
80S36-C-S-SB

For Isokern 36" Standard Fireplace - model # 80S36

<u>Part#</u>	<u>Component</u>	<u>Description</u>
80S36-MF		1/2" ISOWOOL
		36" STANDARD MOUNTING FRAME
80S36-C-S-SB		36" STANDARD GLASS DOOR FRAME
		36" STANDARD LEFT GLASS DOOR PANEL
		36" STANDARD RIGHT GLASS DOOR PANEL

82036-C-S-SB

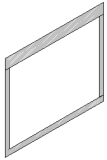
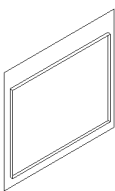
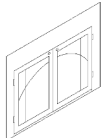
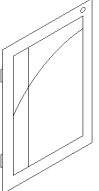
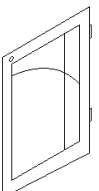
For Isokern 36" Magnum Fireplace - model # 82036

<u>Part#</u>	<u>Component</u>	<u>Description</u>
82036-MF		1/2" ISOWOOL
		36" MAGNUM MOUNTING FRAME
82036-C-S-SB		36" MAGNUM GLASS DOOR FRAME
		36" MAGNUM LEFT GLASS DOOR PANEL
		36" MAGNUM RIGHT GLASS DOOR PANEL

**Contact your local Isokern representative or dealer for replacement door kit.*

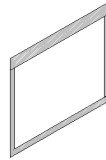
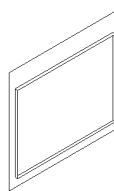
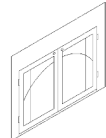
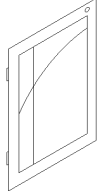
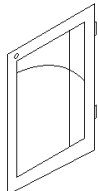
80S42-C-S-SB

For Isokern 42" Standard Fireplace - model # 80S42

<u>Part#</u>	<u>Component</u>	<u>Description</u>
80S42-MF		1/2" ISOWOOL
		42" STANDARD MOUNTING FRAME
80S42-C-S-SB		42" STANDARD GLASS DOOR FRAME
		42" STANDARD LEFT GLASS DOOR PANEL
		42" STANDARD RIGHT GLASS DOOR PANEL

82042-C-S-SB

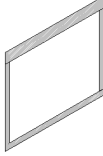
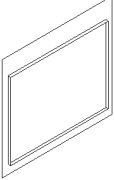
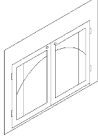
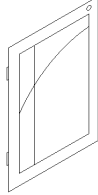
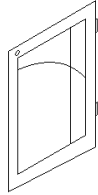
For Isokern 42" Magnum Fireplace - model # 82042

<u>Part#</u>	<u>Component</u>	<u>Description</u>
82042-MF		1/2" ISOWOOL
		42" MAGNUM MOUNTING FRAME
82042-C-S-SB		42" MAGNUM GLASS DOOR FRAME
		42" MAGNUM LEFT GLASS DOOR PANEL
		42" MAGNUM RIGHT GLASS DOOR PANEL

**Contact your local Isokern representative or dealer for replacement door kit.*

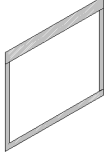
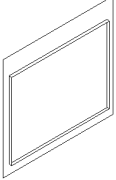
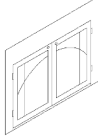
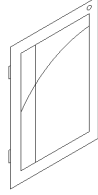
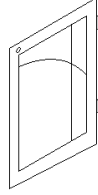
80S46-C-S-SB

For Isokern 46" Standard Fireplace - model # 80S46

<u>Part#</u>	<u>Component</u>	<u>Description</u>
80S46-MF		1/2" ISOWOOL
		46" STANDARD MOUNTING FRAME
80S46-C-S-SB		46" STANDARD GLASS DOOR FRAME
		46" STANDARD LEFT GLASS DOOR PANEL
		46" STANDARD RIGHT GLASS DOOR PANEL

82048-C-S-SB

For Isokern 48" Magnum Fireplace - model # 82048

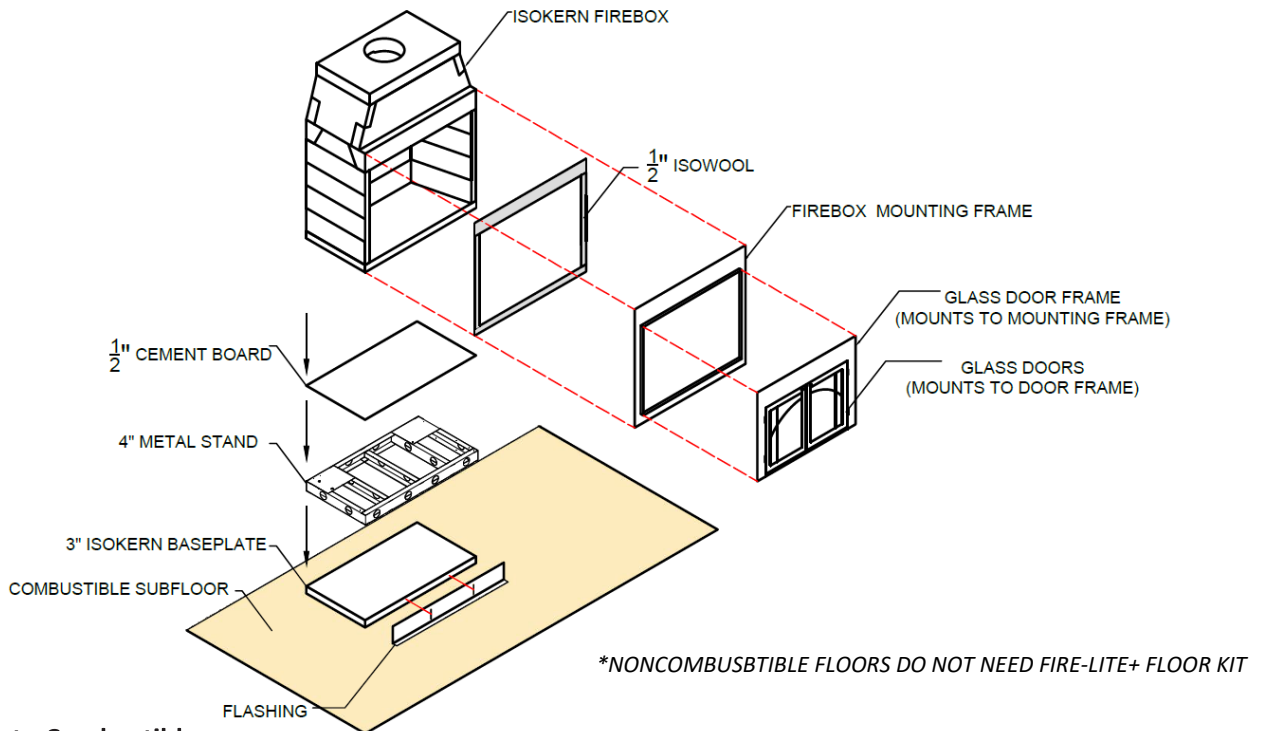
<u>Part#</u>	<u>Component</u>	<u>Description</u>
82048-MF		1/2" ISOWOOL
		48" MAGNUM MOUNTING FRAME
82048-C-S-SB		48" MAGNUM GLASS DOOR FRAME
		48" MAGNUM LEFT GLASS DOOR PANEL
		48" MAGNUM RIGHT GLASS DOOR PANEL

**Contact your local Isokern representative or dealer for replacement door kit.*

Glass Door Applications – Isokern w/ Glass Doors On Combustible Floor

The Isokern fireplace is tested and listed for use with wood burning glass doors. The glass door assembly consist of 5 components: Isowool, firebox mounting frame, the door frame, and 2 cabinet style doors.

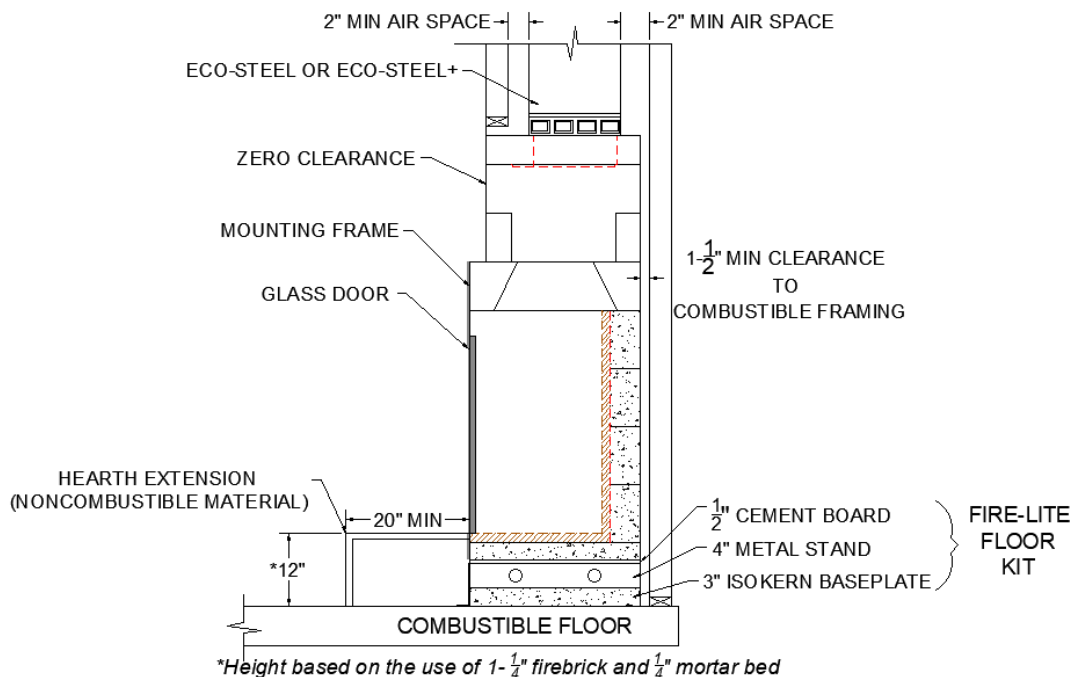
The Fire-Lite+ floor kit must be used if the firebox is to be installed on a combustible floor. The Fire-Lite+ floor system for Isokern firebox with glass doors consist of 1/2” cement board, metal stand, and Isokern baseplate. The design and installation require that the system use ECO-STEEL or ECO-STEEL+ metal chimney.



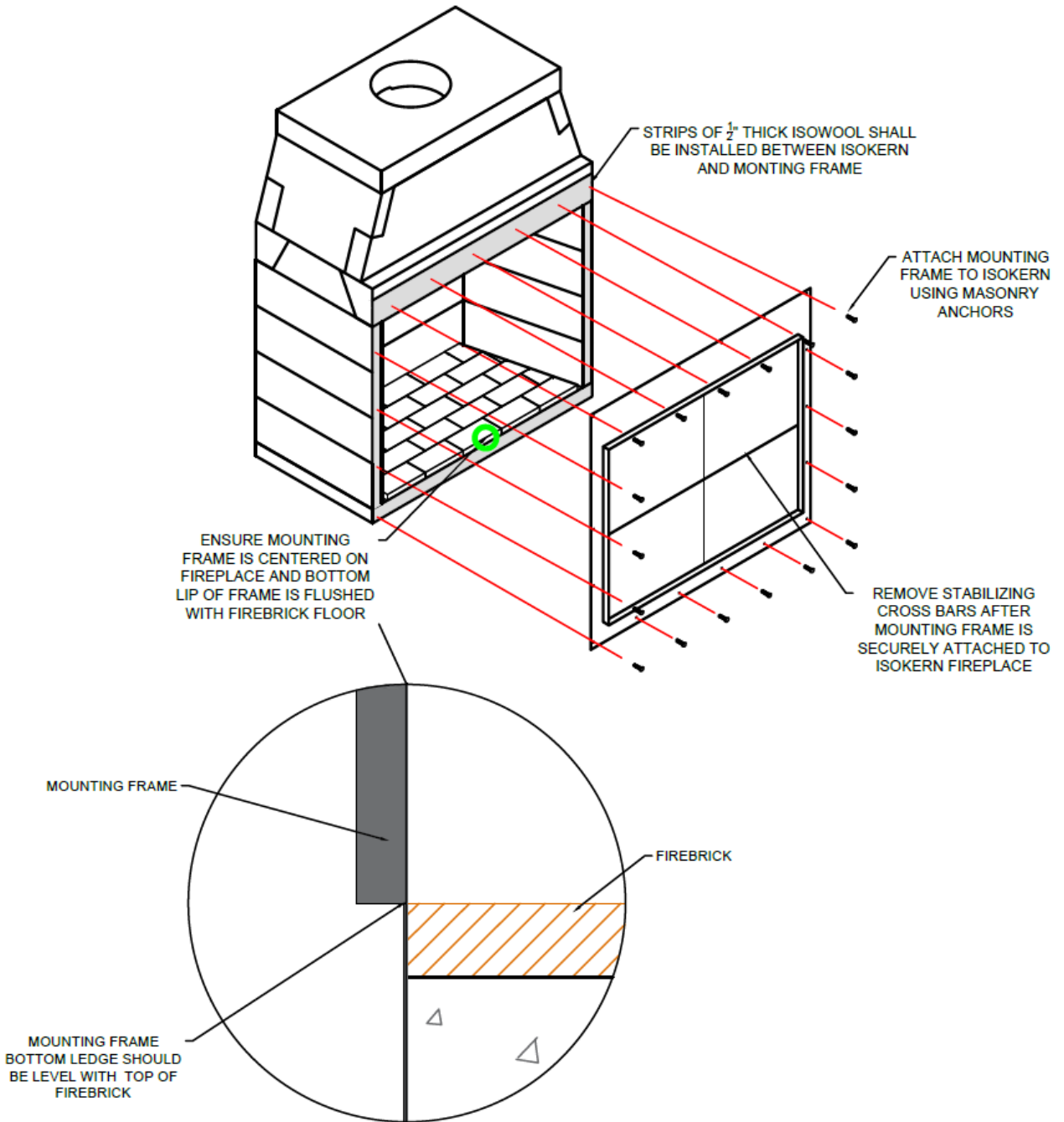
Clearance to Combustibles:

The Fire-Lite is tested and listed for installation with “clearance to combustibles” as follows:

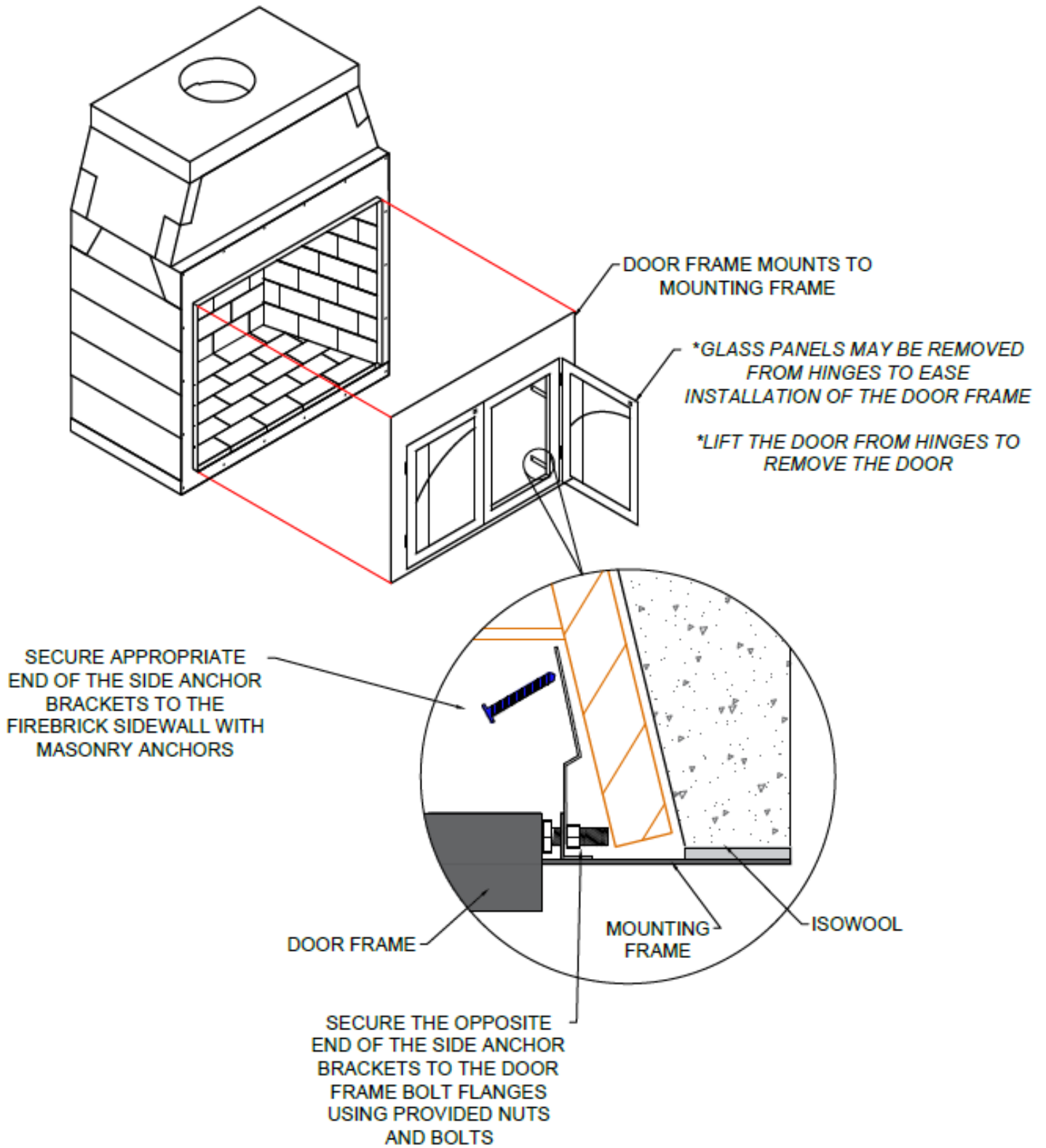
1. Seven and one-half inch (7.5”) clearance to the combustible floor.
2. Zero-inch (0”) clearance at the Isokern smoke dome front wall.
3. One and one-half inch (1-1/2”) clearance at the Isokern firebox backwalls and side walls.
4. Two-inch (2”) minimum air space to combustibles at all ECO-STEEL or ECO-STEEL+ metal chimney.



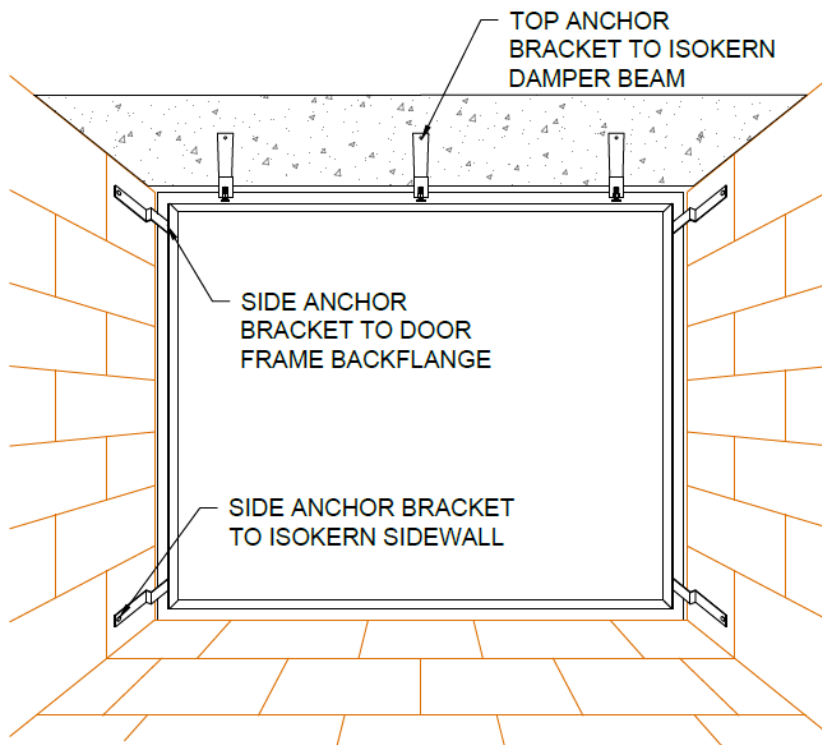
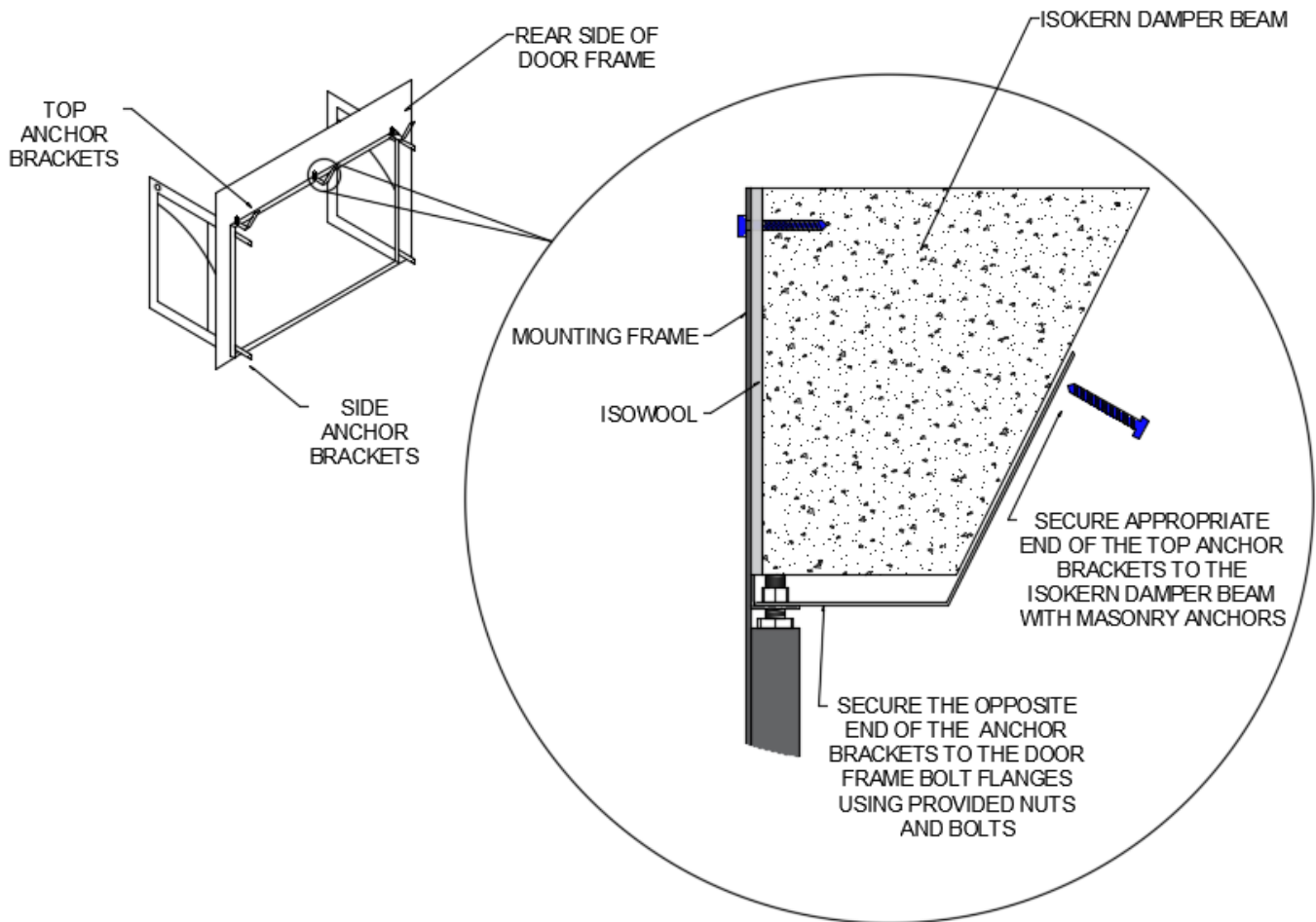
Glass Door Applications – Glass Door Assembly Installation



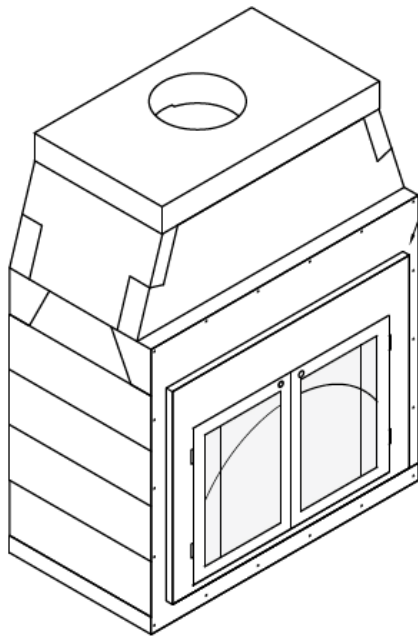
Glass Door Applications – Glass Door Assembly Installation



Glass Door Applications – Glass Door Assembly Installation

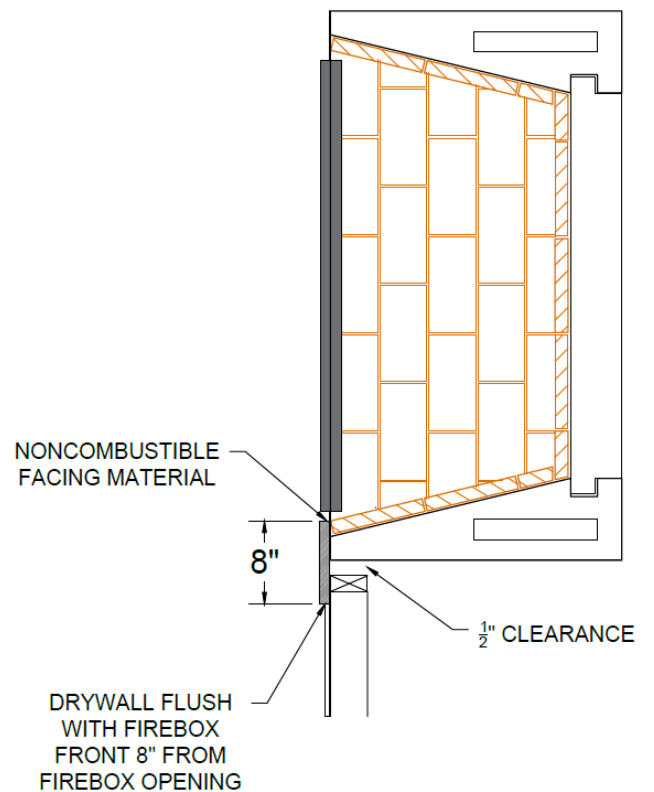
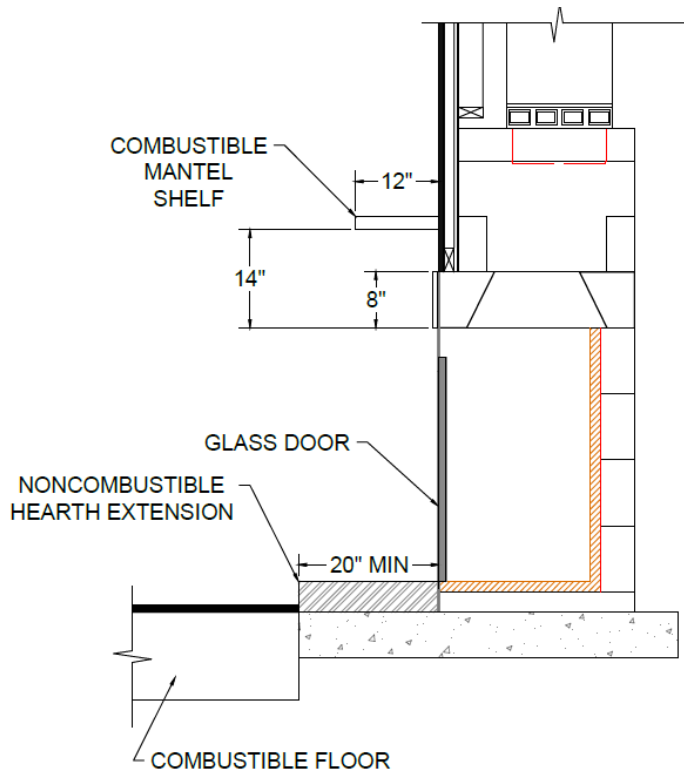


Glass Door Applications – Sheathing, Mantel, and Hearth Extension Combustible Clearance



INSTALLATION OF GLASS DOOR DOES NOT CHANGE THE LISTED CLEARANCE TO COMBUSTIBLES FOR THE ISOKERN FIREBOX

- COMBUSTIBLE MATERIALS SHALL NOT BE INSTALLED IN FRONT OF THE ISOKERN FIREBOX
- COMBUSTIBLE SHEATHING SHALL NOT BE INSTALLED WITHIN 8" OF THE FIREBOX OPENING
- COMBUSTIBLE MANTEL SHALL NOT BE INSTALLED WITHIN 14" FROM THE TOP OPENING OF THE FIREBOX



Summary

1. Chimney Installation and Draft

Chimney systems will only draft properly when they are installed according to the instructions in an appropriate location and with the proper chimney height. Installing the fireplace according to the instructions, choosing an appropriate location, and choosing an appropriate chimney height are the responsibility of the designer and the building contractor.

Tightly insulated and sealed homes, two-story interior spaces, and high-vaulted ceilings can cause negative air pressures within the house, which can impair drafting performance. HVAC return air ducts near the fireplace opening will adversely affect the fireplace drafting performance.

It is the responsibility of the designer, the building contractor, and their mechanical contractor to determine that the building's internal air pressures are conducive to positive fireplace drafting.

Avoid placing any fireplace in an area near tall trees, tall buildings, or high land masses. These structures can reduce ambient air flow pressure as well as produce down drafts, either of which can impair fireplace drafting performance.

Earthcore Industries L.L.C. does not warrant drafting and is not responsible for it.

2. Fireplace Curing Instructions

It is critical that the Isokern masonry elements in the firebox and smoke dome assembly be dry before firing of the unit. Moisture left in the components from exposure during storage and shipping, as well as moisture from the installation phase, must be eliminated before the unit is put to its intended use.

The first step in reducing the ambient moisture is to be sure that the completed fireplace rest totally in a dried-in setting for a minimum of 28 days after construction of the unit is complete.

The next step in curing the fireplace is to be sure that the first five or six fires are of short duration. The first fire of the unit can take place once the minimum 28-day drying period has passed. This fire should be especially short.

Start the first fire slowly with a small amount of paper and kindling (small dry wood splits or twigs) and a maximum load of four to six pounds of dry firewood, estimated to be no more than two or three logs, each of about three inches (3") to four inches (4") in diameter. The first fire should burn for no more than 30 to 60 minutes and then allowed to go out. Do not refuel the fireplace during the first lighting. A cooling-off period of 24 hours, at a minimum, should follow the first fire.

The second fire should be the same as the first fire. It should burn for no more than 30 to 60 minutes and allowed to go out. Do not refuel the fireplace during the second lighting. A 24-hour cooling-off period must be observed following second lighting.

After the first and second fires, continue use of the unit with three or four small fires of short duration (60 minutes or so) and small fuel load.

After these first five or six small fires of short duration, normal use of the fireplace can proceed. For normal use, the maximum recommended fuel load is 12 to 16 pounds of dry firewood at a time. This fuel load is considered to be approximately three to five cured hardwood logs of about three inches (3") to six inches (6") in diameter. As the fire burns down, refueling should be only one or two logs added at a time.

IMPORTANT: Do not burn construction debris or trash of any kind in the fireplace. Whereas it is not uncommon for construction debris and refuse to be burned in a fireplace by site personnel on a project that is under construction, this activity must be avoided. It is the responsibility of the building contractor to ensure that the required dry-in period is met and that the required lighting sequence is performed by the owner or by the owner's agent.

3. Log Grates

Log grates are required for burning solid fuel in the Isokern fireplace. Grates allow for easy air flow up through the burning logs, thus creating a more complete and efficient burning of the fuel.

Summary

4. How to Build a Fire

First, set the fireplace damper in the fully open position. Begin laying the fire by placing several pieces of wadded up paper directly on the log grate. Place kindling (small splits of dry pine or other dry softwood) on top of the paper, enough to loosely cover the paper. Next, arrange several small, dry hardwood or softwood logs or log splits on top of the kindling layer.

Finally, arrange two or three larger hardwood logs (oak, hickory, etc.) or log splits on top of the stack.

Ignite the paper at the bottom of the stack. The burning paper will ignite the kindling, which will, in turn, set the remaining fuel on fire.

Be sure to stack all firewood in such a way that it will settle into the log grate as the paper and kindling layers are burned away. Additional logs can be set onto the fire as each fueling burns down.

Ideally, fuel logs should be of a hardwood species that have been air dried for one year or longer. Use of cured or uncured pine logs and uncured hardwood logs for fuel should be avoided. Pine logs and uncured hardwood logs will tend to smolder and burn at relatively low temperatures, producing high levels of soot and creosote.

IMPORTANT: Do not throw, toss, jam, kick, or otherwise force logs into the Isokern fireplace.

WARNING: Never use gasoline, gasoline type lantern fuel, kerosene, charcoal lighter fluid, or other similar liquids to start or “freshen up” the fire in this fireplace or in any fireplace.

WARNING: If processed solid fuel fire logs are used: Do not poke or stir the logs while they are burning. Use only fire logs that have been evaluated for the application in fireplace and refer to fire log warnings and caution markings on packaging prior to use.

5. Avoid Over-firing this Fireplace.

Some examples of over-firing are:

- Burning of scrap lumber, construction debris, pine branches and brush or cardboard boxes.
- Burning small diameter twigs, branches, or any other small sized combustible materials in quantities, which exceed the volume of the normal log fire.
- Use of artificial wax base logs, trash or other chemicals or chemically treated combustibles.

WARNING: Over-firing can permanently damage this fireplace system.

6. Disposal of Ashes

It is recommended that the firebox be cleaned of excessive ashes before each use. It is necessary to remove ashes from the open front of the fireplace. To do so, proceed in the following manner:

Allow the fire to go out and the ashes to cool for at least 6 to 8 hours.

After the cooling period, carefully pick up the ashes from the firebox with a small, metal fireplace shovel, or other metal scoop and place them in a metal container with a tight-fitting lid.

If possible, do not sweep the ashes as this will stir them into the air and disperse them into the room.

The closed container of ashes should be placed on a non-combustible floor or on the ground, well away from all combustible materials, pending final disposal. If the ashes are disposed of by burial in soil or otherwise locally dispersed, they should be retained in the closed container until all cinders have thoroughly cooled.

Summary

7. Gas Log Sets

If you install a vented gas log set (decorative gas appliance), the log set must comply with the Standard for Decorative Gas Appliance for Installation in Solid Fuel Burning Fireplaces, ANSI Z21.60 or Z21.84 and shall also be installed in accordance with the National Fuel Gas Code, ANSI Z223.1/NFPA 54 latest edition.

If you wish to install an unvented (vent-free) gas log set, only unvented gas log sets that have been found to comply with the standard for unvented room heaters, ANSI Z21.11.2 are to be installed in this fireplace. Check local codes for compliance for unvented (vent free) gas log sets.

WARNING: Do not operate a vented gas log set in this fireplace with the chimney removed.

8. Exterior Maintenance

Annually, at a minimum, check all metal flashings and weather seals around the exterior chimney where it penetrates the roof surface; inspect any chimney top spark arrestors, metal cowlings and weather hoods to make sure they are secure and weather tight.

Seal any cracks or gaps in chimney-to-roof flashings to prevent possible roof and chimney chase leaks.

Inspect any cement chimney cap or clay chimney pot terminations to make sure they are not diverting water into the structure. Seal any suspected cracks or gaps in these masonry components.

9. Glass Doors

This fireplace is tested and listed for use with glass doors. When doors are used, operate fireplace with the doors fully open or fully closed only.

- Do not jar, hit, abuse or slam shut the glass doors or tempered/Neoceram glass panels as they could shatter.
- Be sure your door is not installed with a “twist” to the frame. This may cause your glass to break unnecessarily.
- Any cracked or broken glass will need to be replaced. Do not use doors if glass panels are cracked or broken.
 - To remove the damaged door lift the door from the hinges.
 - To install new replacement door lower the door rods into the door frame hinges.
- Contact your local Isokern representative or dealer for replacement door panels.
- Do not substitute any materials.
- Grout doors that have gaps, etc. around the frame.
- Read your warranty to understand its limitations and coverages.
- Never leave one door open and one door shut, which causes the glass to heat unevenly and the fireplace to burn irregularly. Avoid big fires altogether if you can.
- Remember these doors, like all other door’s are not indestructible. The glass, mesh, and finish will last for a long time with proper care. Do not build fire too close to the glass.
- Soot build up or smoke residue should be removed from the glass.
- Never clean your doors when the glass is hot.
- To clean your doors use mild soap and water. On smoke stains use a soft brush, if necessary, being careful not to scrub too hard. Avoid using ammonia based or harsh chemical products. Do not use abrasive cleaners.
- Many glass cleaners provided by a fireplace dealer may be suitable.
- **Magnum and Standard fireplaces with glass doors installed on combustible floor system must use Fire-Lite+ kit.**
- **DO NOT USE OR INSTALL MECHANICAL EXHAUST FANS WHEN GLASS DOORS ARE INSTALLED**

For more information regarding glass doors reference the Supplemental Glass Door installation manual.

WARNING: FIREPLACES EQUIPPED WITH DOORS SHOULD BE OPERATED ONLY WITH DOORS FULLY OPEN OR DOORS FULLY CLOSED. IF DOORS ARE LEFT PARTLY OPEN, GAS AND FLAME MAY BE DRAWN OUT OF THE FIREPLACE OPENING, CREATING RISKS OF BOTH FIRE AND SMOKE.

Registration Card

Please tear out along line and send to:

Earthcore Industries
Attn: Technical Department
6899 Phillips Industrial Blvd
Jacksonville, FL 32256

Dealer _____

Date of Purchase: _____

Date Of Installation: _____

Address: _____

City, State, Zip: _____

Phone No.: _____

Fireplace Model (Circle One):

82036

82042

82048

80S36

80S42

80S46

Door Model (Circle One):

82036-C-S-SB

82042-C-S-SB

82048-C-S-SB

80S36-C-S-SB

80S42-C-S-SB

80S46-C-S-SB

Firebox Serial Number:

(Located on Rating Plate Inside Firebox) _____

Buyer: _____

Address: _____

City, State, Zip: _____

Phone No.: _____

Installed By: _____

Address: _____

City, State, Zip: _____

Phone No.: _____

Warranty & Disclaimer

Earthcore offers a lifetime warranty for all Isokern components, to be free from defects in materials that negatively affect system performance from the date of purchase, subject to the terms and conditions of this limited warranty.

This warranty covers only the above stated components, and NO WARRANTY, EXPRESS OR IMPLIED, EXTENDS TO ANY OF THE HARDWARE, FOOTING, VENTS, DUCTING, METAL FLUES, FIREBRICK OR ACCESSORIES. THIS WARRANTY DOES NOT COVER DRAFTING, SMOKING OR PUFFING OF THE FIREPLACE SYSTEM. Factors beyond the manufacturer's control affect fireplace drafting, smoking, and puffing, and Earthcore cannot guarantee these aspects of performance.

If a component is found to be defective under the terms of this warranty the party to whom this warranty is extended shall, notify Earthcore, 6899 Philips Industrial Blvd, Jacksonville, Florida 32256, in writing, by registered mail, within thirty (30) days following the discovery of the defect within the lifetime warranty period. The notice shall contain (1) the date of purchase; (2) place of purchase; (3) address of installation; (4) name, address and phone number of the owner; and (5) a brief description of the defect.

Earthcore, or any division thereof, is not responsible for any labor costs or indirect costs incurred for the replacement of defective components.

Earthcore is not responsible for misuse or mishandling of components. Nothing in this warranty makes Earthcore, or any division thereof, liable in any respect for any injury or damage to the building or structure in which the fireplace or chimney system has been installed or to persons or property therein arising out of the use, misuse, or installation of properly manufactured ISOKERN product.

EARTHCORE, OR ANY DIVISION THEREOF, SHALL NOT BE HELD LIABLE FOR ANY INCIDENTAL OR CONSEQUENTIAL DAMAGES OR EXPENSES ARISING OUT OF THE USE OF THE FIREPLACES OR CHIMNEY SYSTEMS. ALL SUCH DAMAGES AND EXPENSES ARE HEREBY EXCLUDED.

This warranty is null and void when the fireplace or chimney systems are not installed pursuant to the installation instructions provided by Earthcore or local building codes have not been followed completely.

This warranty applies only to those fireplace and chimney systems installed in the continental United States, Alaska, and Canada. If any part of this warranty is found to be unenforceable, the remaining parts shall remain in force and effect.

EARTHCORE HEREBY DISCLAIMS ALL GUARANTEES AND WARRANTIES, EXPRESS OR IMPLIED, BEYOND THE WARRANTIES SET FORTH HEREIN.

earthcore[®]