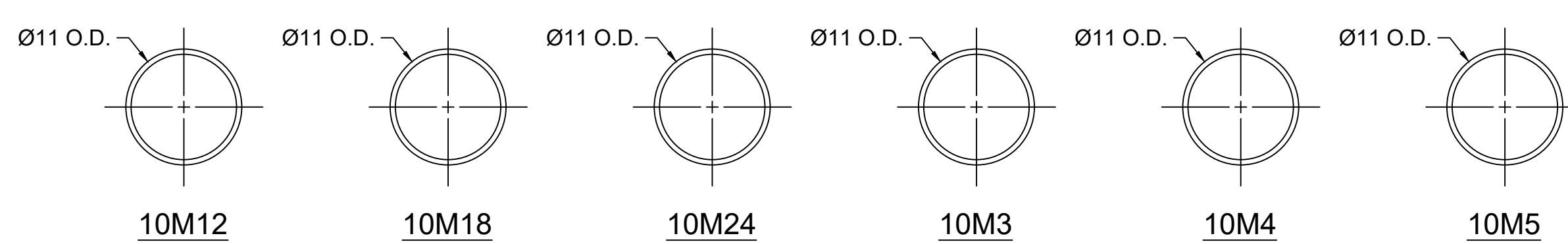
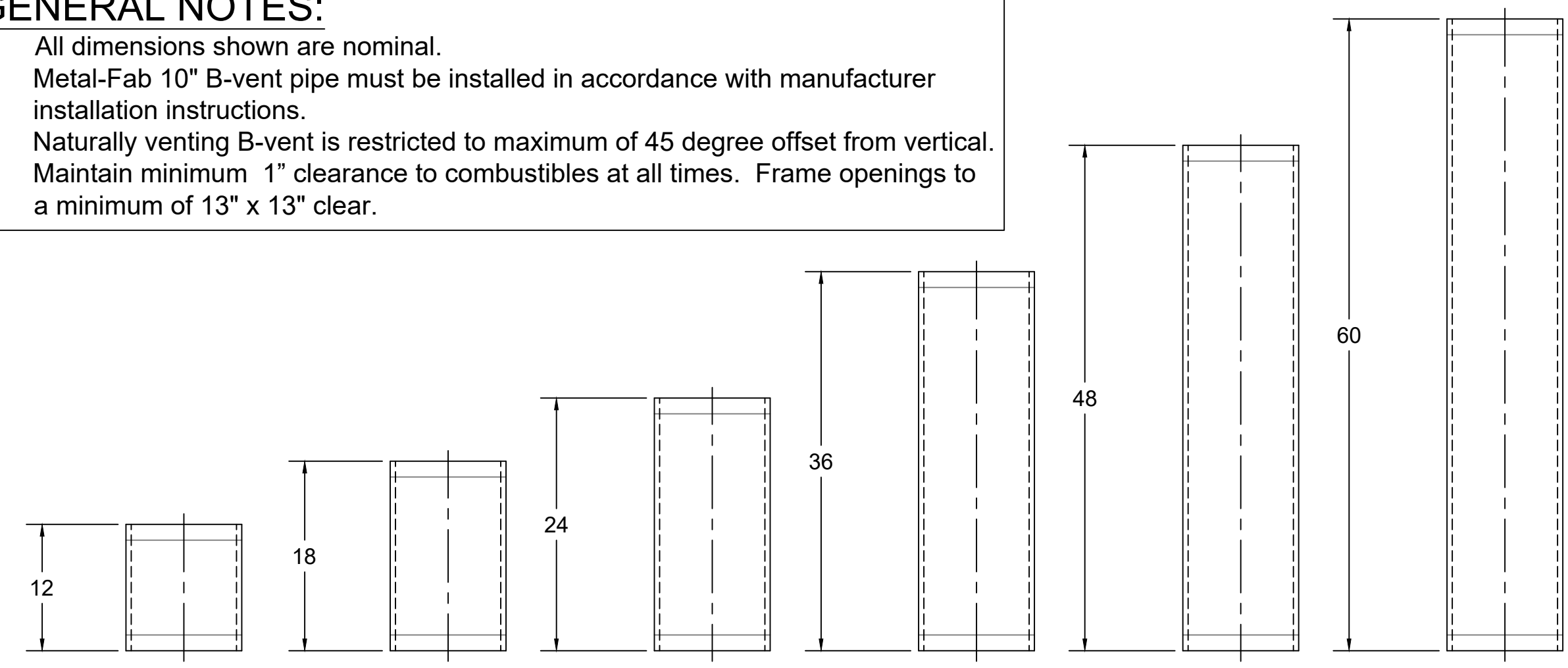
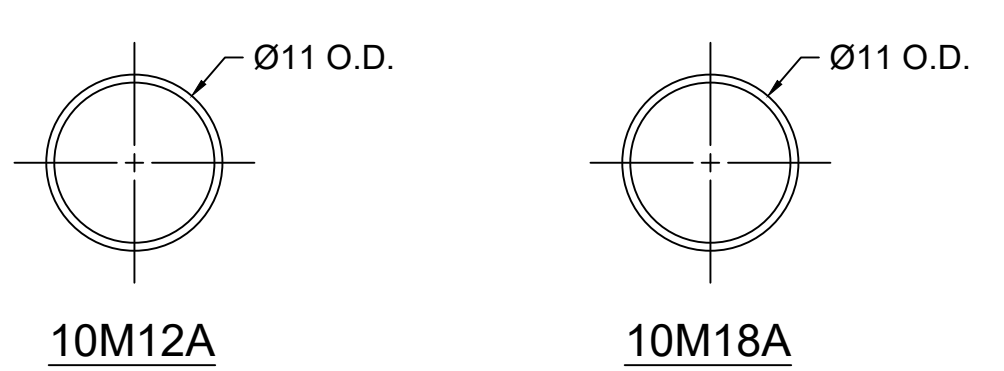
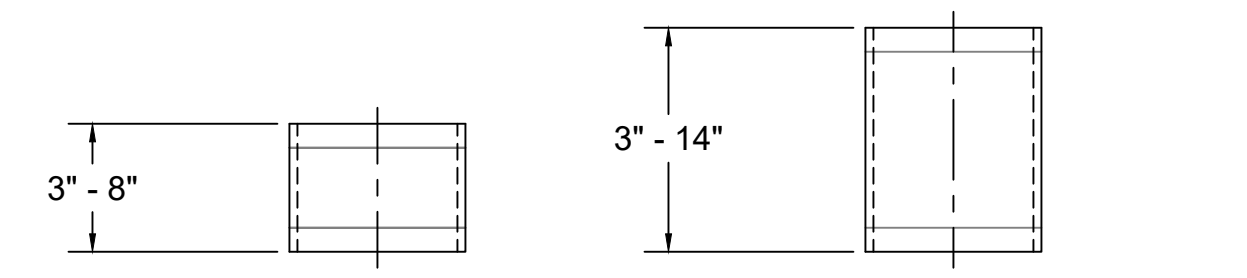


- GENERAL NOTES:**
- All dimensions shown are nominal.
  - Metal-Fab 10" B-vent pipe must be installed in accordance with manufacturer installation instructions.
  - Naturally venting B-vent is restricted to maximum of 45 degree offset from vertical.
  - Maintain minimum 1" clearance to combustibles at all times. Frame openings to a minimum of 13" x 13" clear.



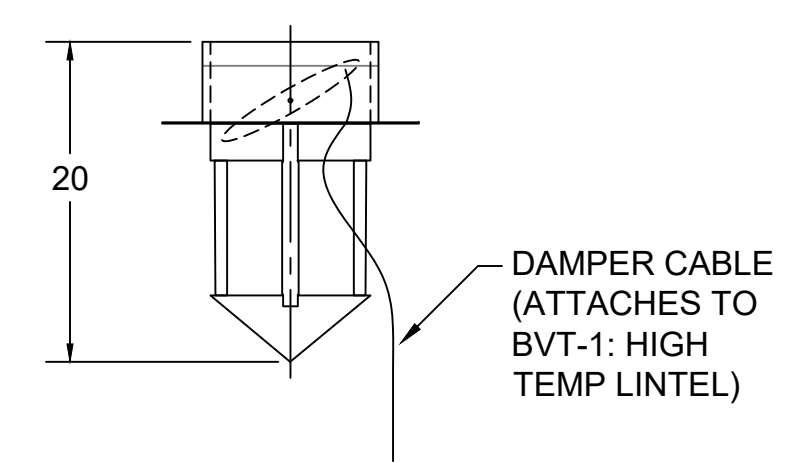
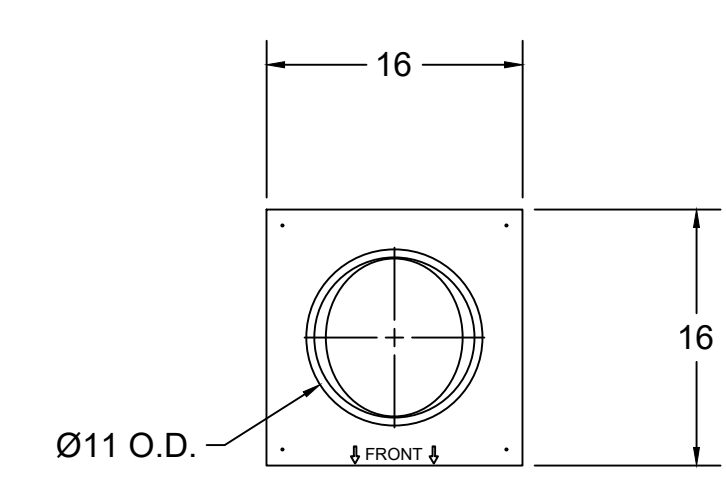
**METAL-FAB 10" B-VENT PIPE**

NOTE: ALL SECTIONS OVERLAP 1-1/2" WHEN ASSEMBLED  
 NOTE: 1" CLEARANCE TO COMBUSTIBLES REQUIRED.



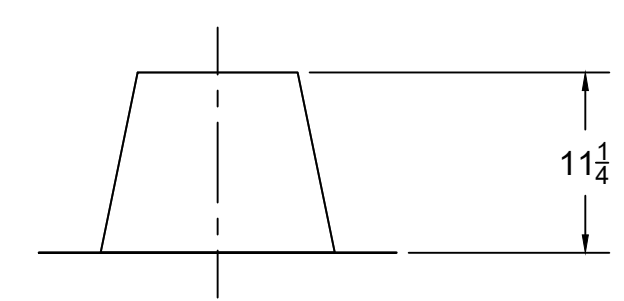
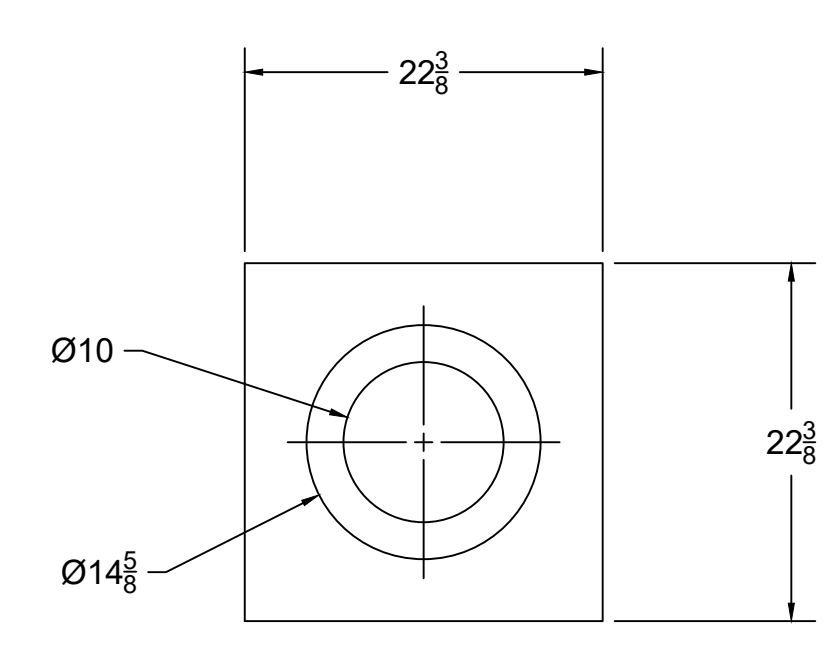
**METAL-FAB 10" ADJUSTABLE B-VENT PIPE**

NOTE: SECTIONS OVERLAP MINIMUM OF 1-1/2" WHEN ASSEMBLED  
 NOTE: 1" CLEARANCE TO COMBUSTIBLES REQUIRED.



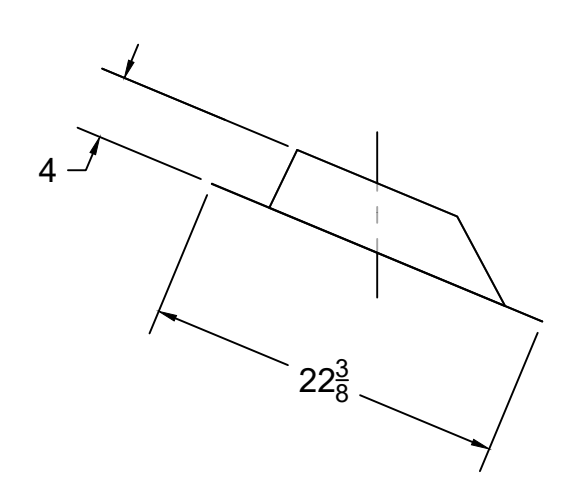
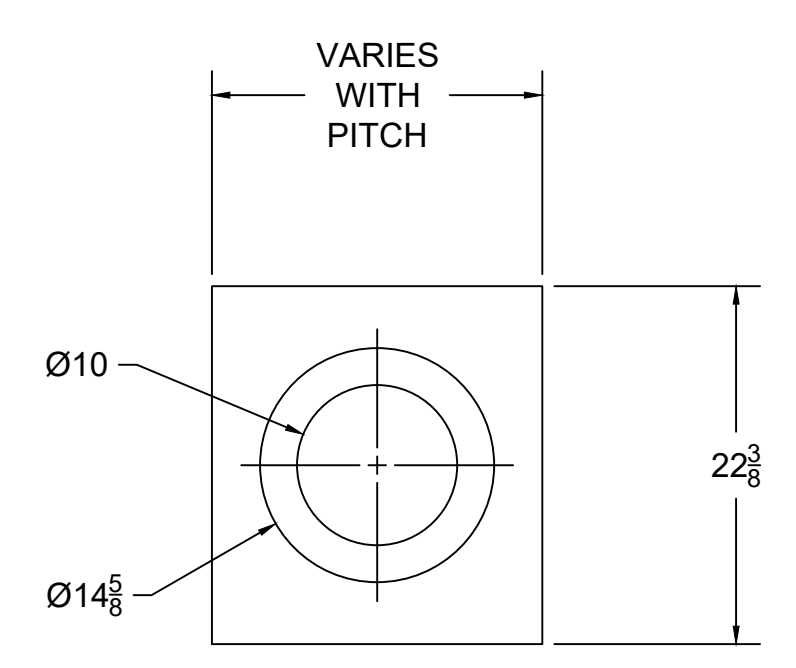
**METAL-FAB 10" B-VENT KIT: DOWN-DRAFT DIVERTER (with damper)**

NOTE: USED TO CONNECT 10" B-VENT TO GAS FIREPLACE  
 NOTE: MUST BE USED IN CONJUNCTION WITH THE BVT-1: HIGH-TEMP LINTEL AS PART OF THE REQUIRED SAFETY SYSTEM IN THE BVETTO SERIES GAS FIREPLACE.



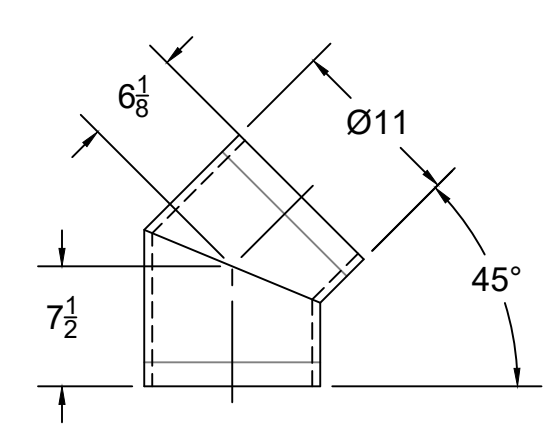
**METAL-FAB 10" B-VENT TALL CONE FLASHING**

NOTE: USED FOR FLAT ROOF INSTALLATIONS

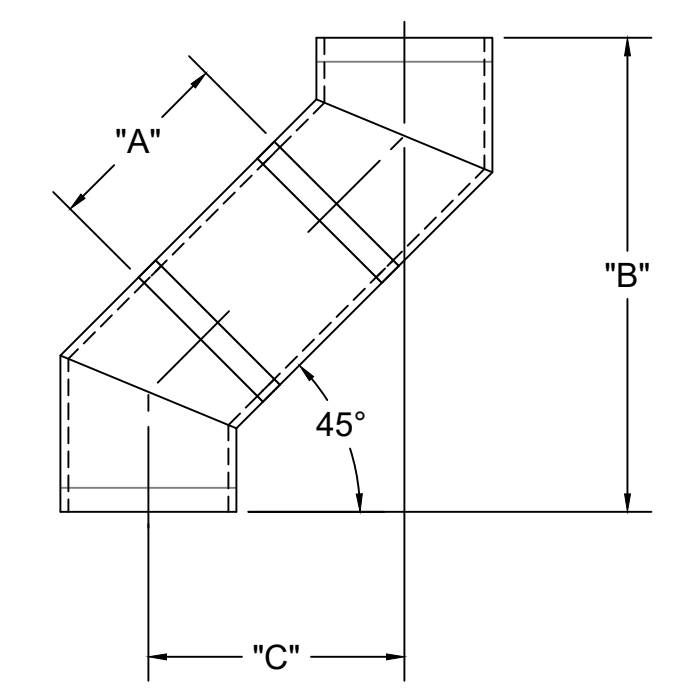


**METAL-FAB 10" B-VENT STANDARD FLASHING**

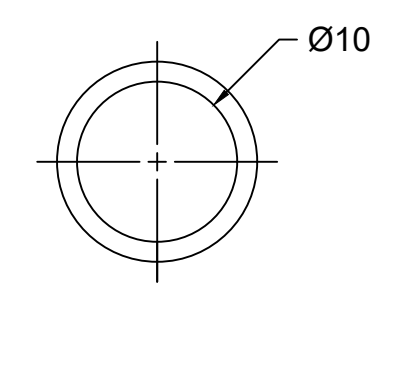
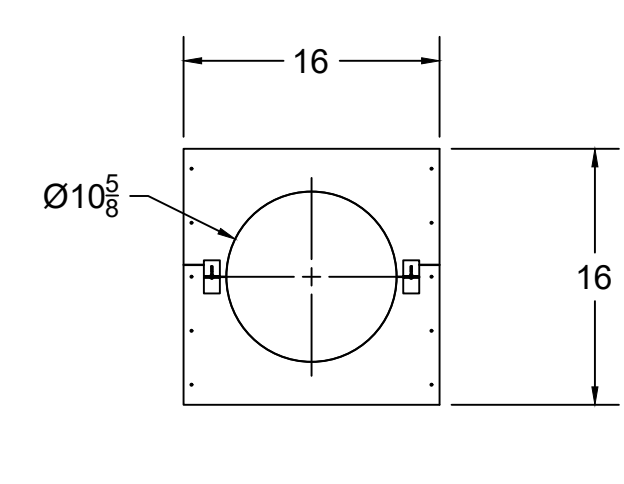
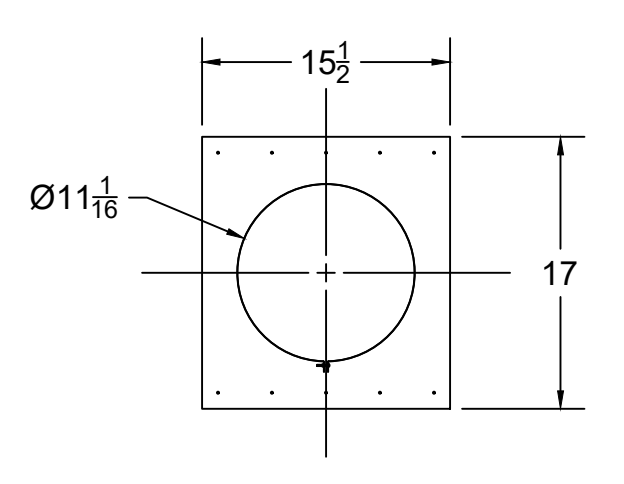
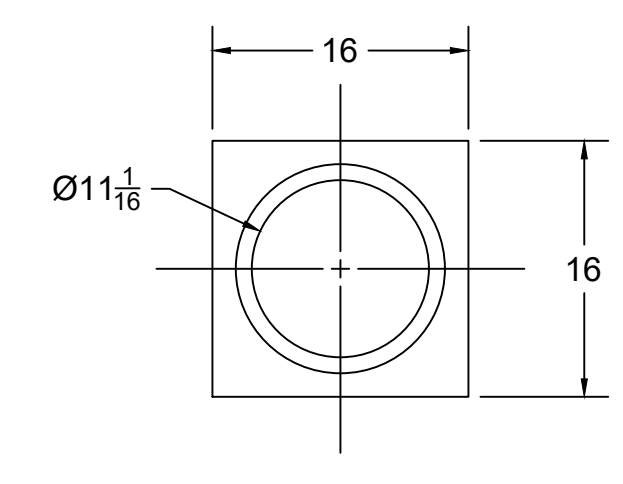
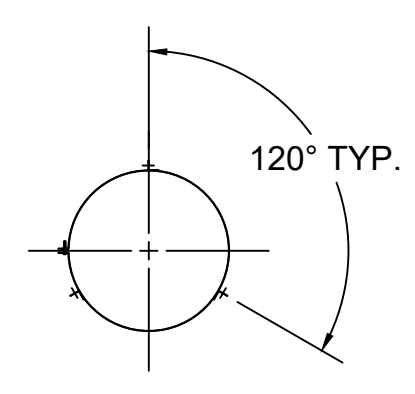
NOTE: USED FOR 2/12 TO 5/12 ROOF PITCH



10M45 ELBOW OFFSET CHART		
LENGTH	45 DEG. ELBOW	
A	B	C
0	22 1/4"	8-5/8"
12	29 5/8"	16"
18	33 7/8"	20 1/4"
24	38-1/8"	24 1/2"
36	46 5/8"	33"
48	55-1/8"	41 1/2"
60	63-5/8"	50"



**METAL-FAB 10" 45 DEGREE ADJUSTABLE ELBOW**



**METAL-FAB B-VENT GUY RING:**

NOTE: USED FOR ADDITIONAL SUPPORT ABOVE ROOF LINE

**METAL-FAB 10 B-VENT FIRESTOP:**

NOTE: REQUIRED AT EVERY FLOOR/ CEILING PENETRATION (EXCLUDING ROOF). IF AREA ABOVE CEILING PENETRATION IS ATTIC, INSTALL FIRESTOP OR SUPPORT PLATE ABOVE JOIST TO PREVENT INSULATION DROPPING INTO JOIST AREA

**METAL-FAB 10 B-VENT SUPPORT PLATE:**

NOTE: REQUIRED TO SUPPORT INSTALLATIONS IN EXCESS OF 30 ft.  
 NOTE: CAN BE USED AS FIRESTOP. IF AREA ABOVE CEILING PENETRATION IS ATTIC, INSTALL FIRESTOP OR SUPPORT PLATE ABOVE JOIST TO PREVENT INSULATION DROPPING INTO JOIST AREA

**METAL-FAB 10 B-VENT HEAVY SUPPORT PLATE:**

NOTE: DESIGNED TO SUPPORT LARGE PIPE SECTIONS.  
 NOTE: CAN BE USED AS FIRESTOP. IF AREA ABOVE CEILING PENETRATION IS ATTIC, INSTALL FIRESTOP OR SUPPORT PLATE ABOVE JOIST TO PREVENT INSULATION DROPPING INTO JOIST AREA

**METAL-FAB B-VENT STORM COLLAR**

METAL FAB B-VENT TERMINATION HEIGHTS	
See notes below regarding termination location requirements	
Roof Pitch	Minimum Height (ft)
Flat to 7/12	1.0
7/12 to 8/12	1 1/2"
8/12 to 9/12	2"
9/12 to 10/12	2 1/2"
10/12 to 11/12	3 1/4"
11/12 to 12/12	4"
12/12 to 14/12	5"
14/12 to 16/12	6"
16/12 to 18/12	7"
18/12 to 20/12	7 1/2"
20/12 to 21/12	8"

**METAL-FAB 10" VENT CAP**

NOTE: TERMINATIONS LOCATED NOT LESS THAN 8ft FROM A VERTICAL WALL MAY EXTEND THROUGH ROOF AT MINIMUM DISTANCES SHOWN IN CHART ABOVE.

NOTE: TERMINATIONS LOCATED LESS THAN 8ft FROM A VERTICAL WALL MUST EXTEND AT LEAST 2ft ABOVE HIGHEST POINT WHERE THE PIPE PASSES THROUGH ROOF, AND AT LEAST 2ft HIGHER THAN ANY PORTION OF THE BUILDING WITHIN 10ft HORIZONTALLY.