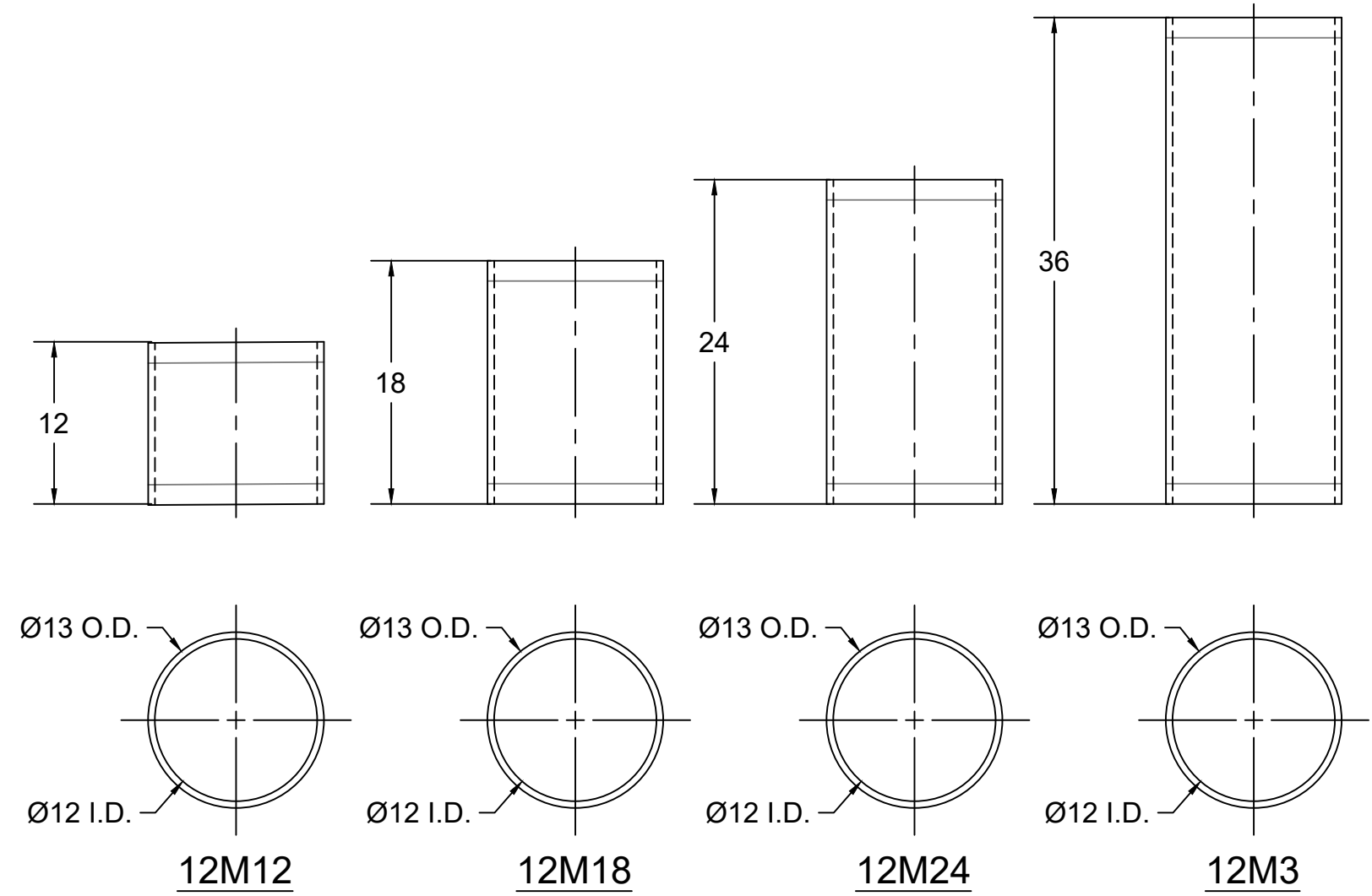
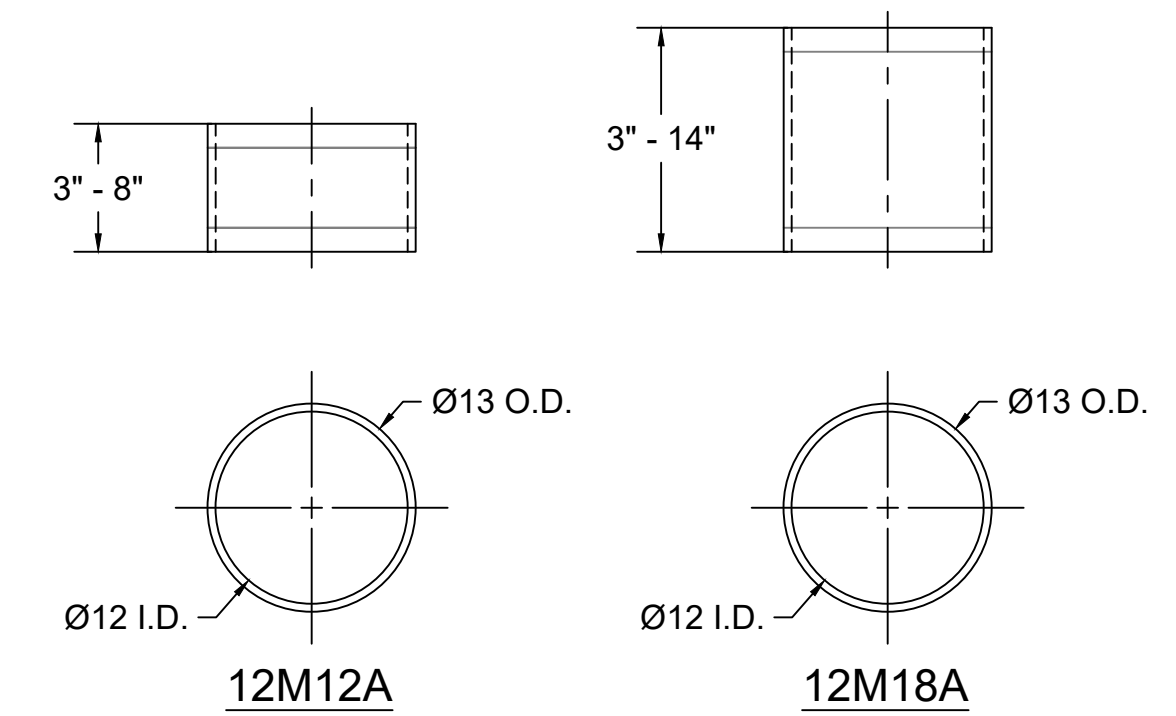


GENERAL NOTES:
 1. All dimensions shown are nominal.
 2. Metal-Fab 12" B-vent pipe must be installed in accordance with manufacturer installation instructions.
 3. Naturally venting B-vent is restricted to maximum of 45 degree offset from vertical.
 4. Maintain minimum 1" clearance to combustibles at all times. Frame openings to a minimum of 15" x 15" clear.



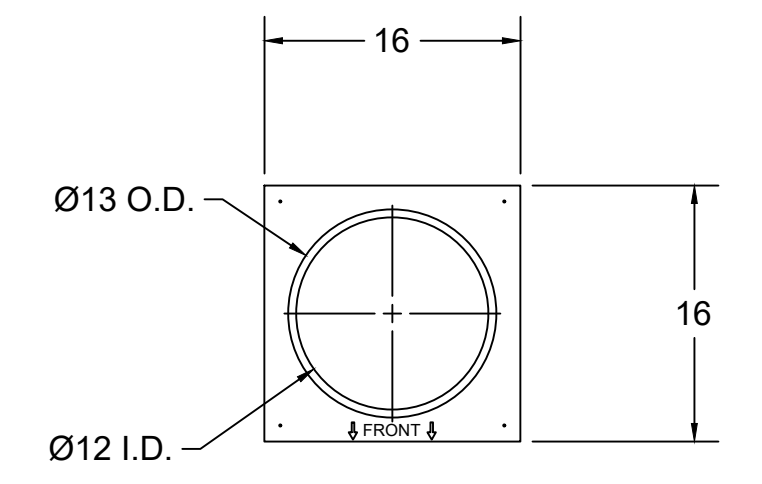
METAL-FAB 12" B-VENT PIPE

NOTE: ALL SECTIONS OVERLAP 1-1/2" WHEN ASSEMBLED
 NOTE: 1" CLEARANCE TO COMBUSTIBLES REQUIRED.



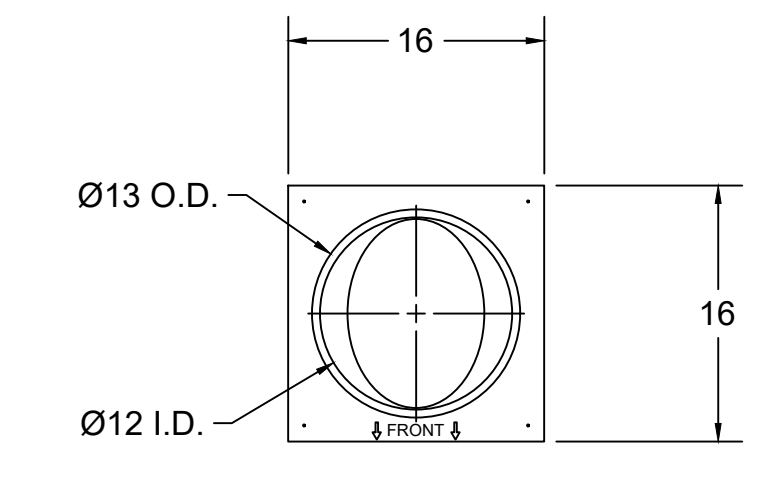
METAL-FAB 12" ADJUSTABLE B-VENT PIPE

NOTE: SECTIONS OVERLAP MINIMUM OF 1-1/2" WHEN ASSEMBLED
 NOTE: 1" CLEARANCE TO COMBUSTIBLES REQUIRED.



METAL-FAB 12" B-VENT DOWN-DRAFT DIVERTER (without damper)

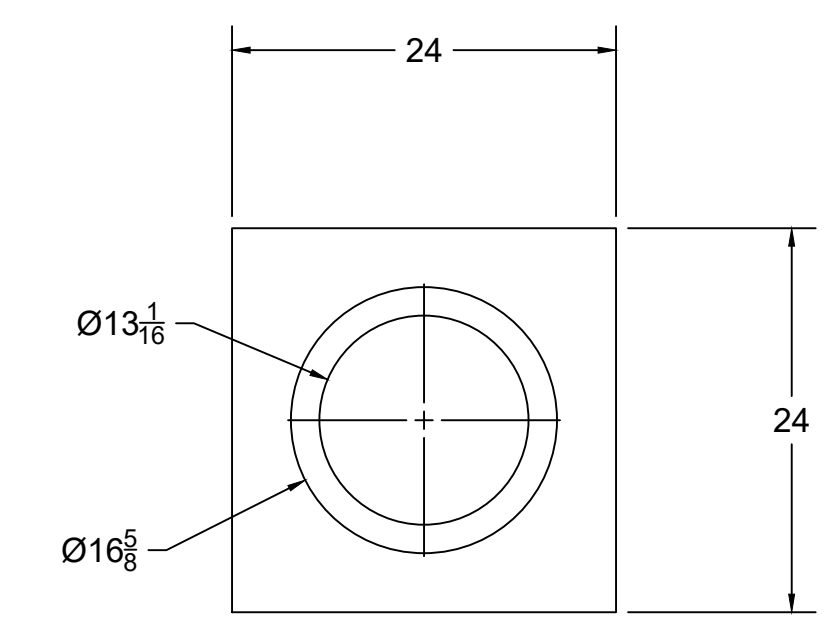
NOTE: USED TO CONNECT 12" B-VENT TO MAXIMUS LINEAR AND XCELUX SERIES (MECHANICALLY DRAFTED VERSIONS)



METAL-FAB 12" B-VENT KIT: DOWN-DRAFT DIVERTER (with damper)

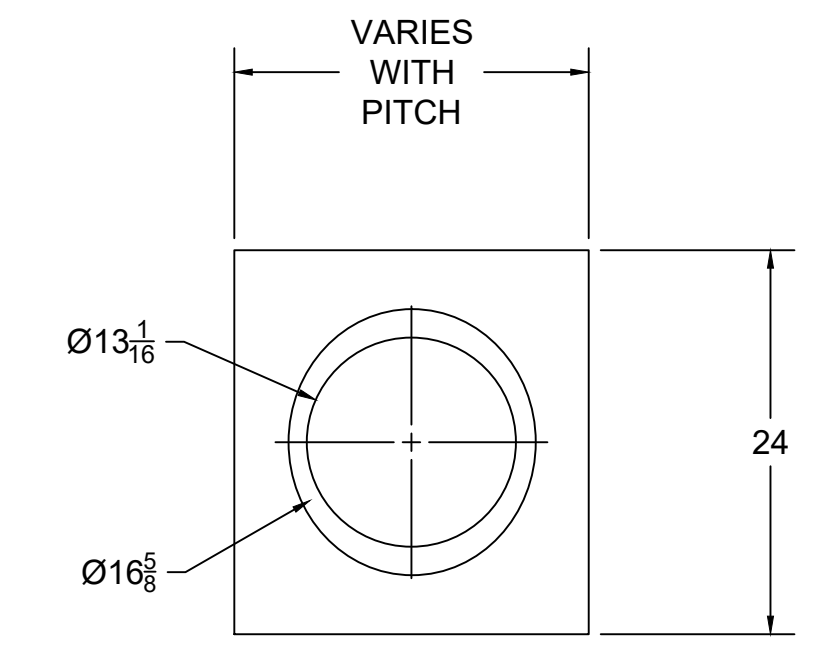
NOTE: USED TO CONNECT 12" B-VENT TO NATURALLY DRAFTING MAXIMUS LINEAR SERIES (REQUIRED FOR USE: VERTICAL TERMINATION, MINIMUM 18' FLUE HEIGHT, NO MORE THAN ONE 45° OFFSET)

NOTE: MUST BE USED IN CONJUNCTION WITH THE NVT-1: HIGH-TEMP LINTEL AS PART OF THE REQUIRED SAFETY SYSTEM IN THE MAXIMUS LINEAR SERIES GAS FIREPLACE (NATURAL DRAFT ONLY).



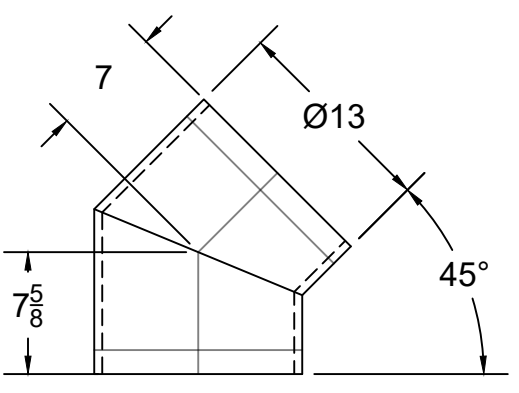
METAL-FAB 12" B-VENT TALL CONE FLASHING

NOTE: USED FOR FLAT ROOF INSTALLATIONS

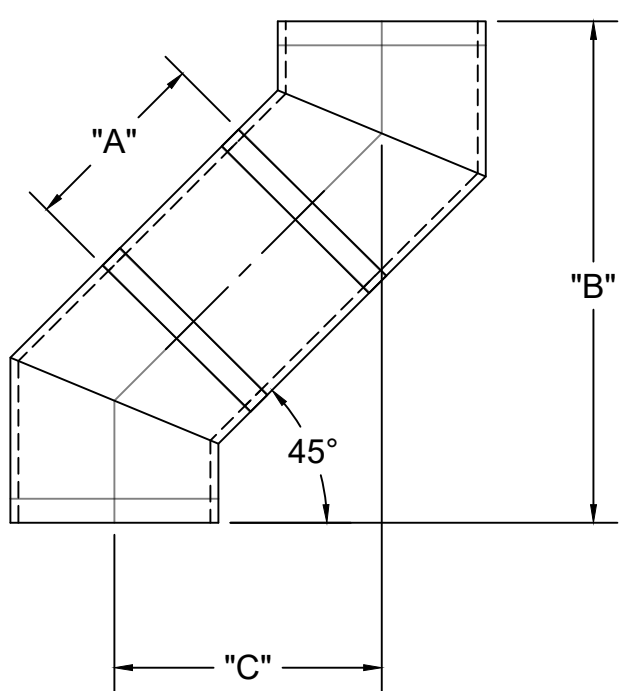


METAL-FAB 12" B-VENT STANDARD FLASHING

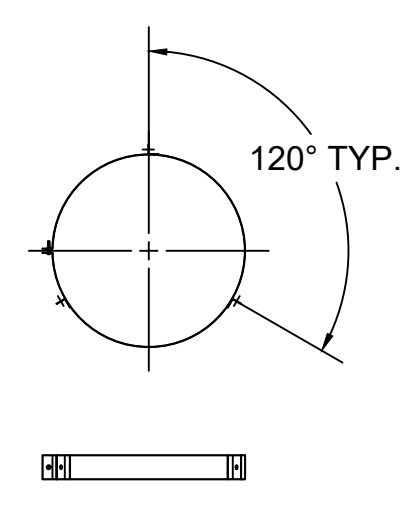
NOTE: USED FOR 2/12 TO 5/12 ROOF PITCH



12M45 ELBOW OFFSET CHART			
LENGTH	45 DEG. ELBOW		
	A	B	C
0	23 7/8"	9 1/4"	
12	31 3/8"	16 3/4"	
18	35 5/8"	21"	
24	39 7/8"	25 1/4"	
36	48 1/4"	33 5/8"	

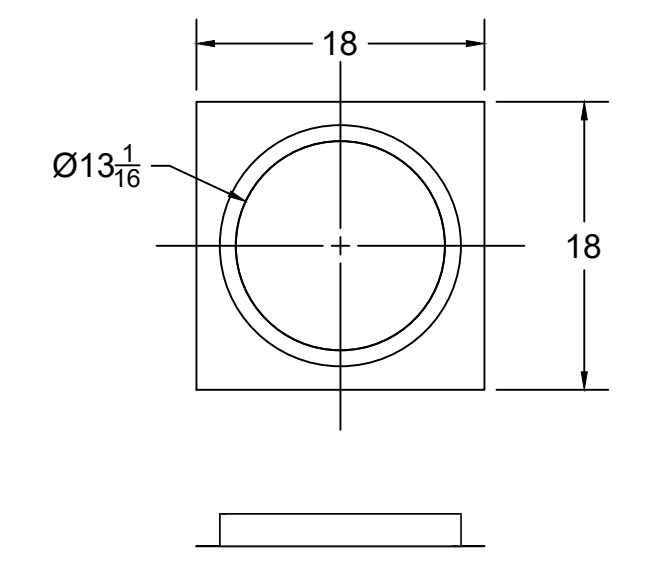


METAL-FAB 12" 45 DEGREE ADJUSTABLE ELBOW



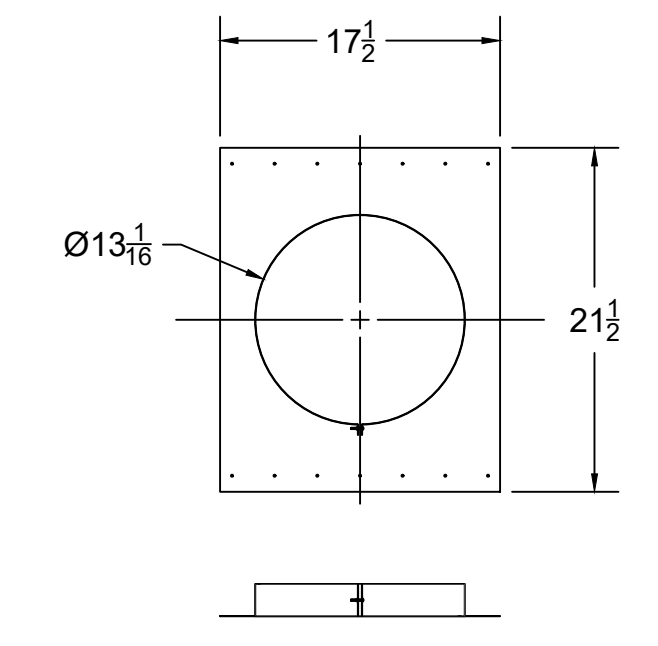
METAL-FAB B-VENT GUY RING:

NOTE: USED FOR ADDITIONAL SUPPORT ABOVE ROOF LINE



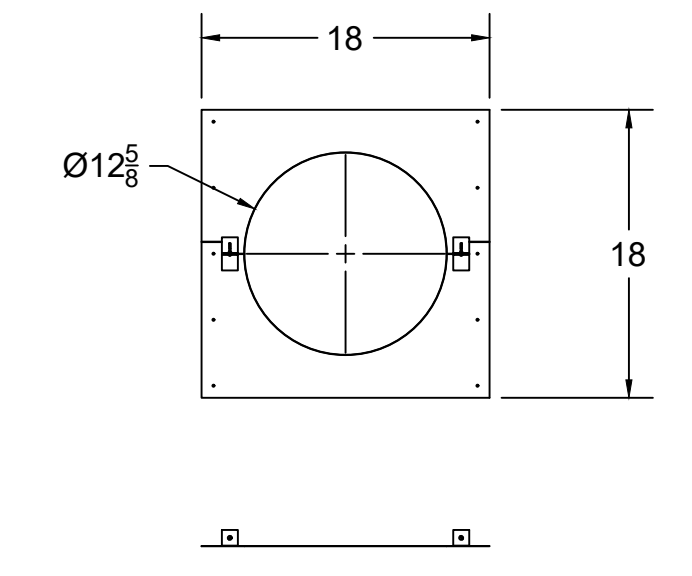
METAL-FAB 12 B-VENT FIRESTOP:

NOTE: REQUIRED AT EVERY FLOOR/ CEILING PENETRATION (EXCLUDING ROOF). IF AREA ABOVE CEILING PENETRATION IS ATTIC, INSTALL FIRESTOP OR SUPPORT PLATE ABOVE JOIST TO PREVENT INSULATION DROPPING INTO JOIST AREA



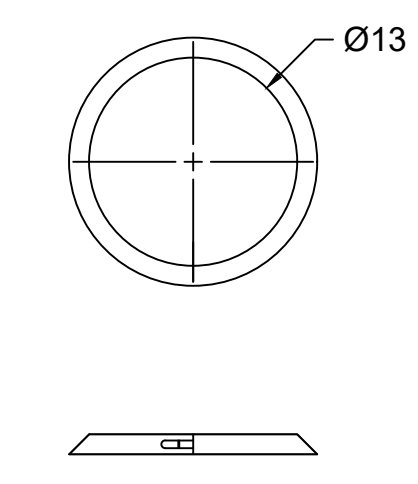
METAL-FAB 12 B-VENT SUPPORT PLATE:

NOTE: REQUIRED TO SUPPORT INSTALLATIONS IN EXCESS OF 30 ft.
 NOTE: CAN BE USED AS FIRESTOP. IF AREA ABOVE CEILING PENETRATION IS ATTIC, INSTALL FIRESTOP OR SUPPORT PLATE ABOVE JOIST TO PREVENT INSULATION DROPPING INTO JOIST AREA

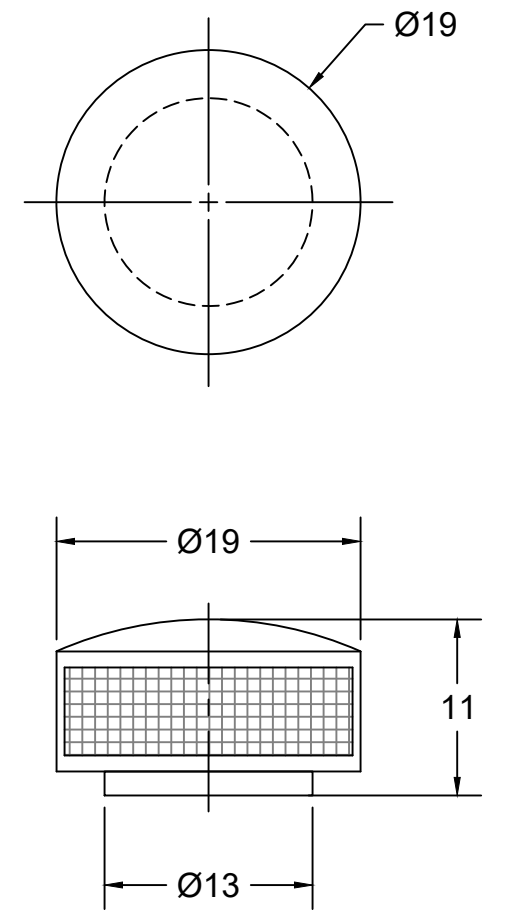


METAL-FAB 12 B-VENT HEAVY SUPPORT PLATE:

NOTE: DESIGNED TO SUPPORT LARGE PIPE SECTIONS.
 NOTE: CAN BE USED AS FIRESTOP. IF AREA ABOVE CEILING PENETRATION IS ATTIC, INSTALL FIRESTOP OR SUPPORT PLATE ABOVE JOIST TO PREVENT INSULATION DROPPING INTO JOIST AREA



METAL-FAB B-VENT STORM COLLAR



METAL FAB B-VENT TERMINATION HEIGHTS	
See notes below regarding termination location requirements	
Roof Pitch	Minimum Height (ft)
Flat to 7/12	1.0
7/12 to 8/12	1 1/2"
8/12 to 9/12	2"
9/12 to 10/12	2 1/2"
10/12 to 11/12	3 1/4"
11/12 to 12/12	4"
12/12 to 14/12	5"
14/12 to 16/12	6"
16/12 to 18/12	7"
18/12 to 20/12	7 1/2"
20/12 to 21/12	8"

METAL-FAB 12" VENT CAP

NOTE: TERMINATIONS LOCATED NOT LESS THAN 8ft FROM A VERTICAL WALL MAY EXTEND THROUGH ROOF AT MINIMUM DISTANCES SHOWN IN CHART ABOVE.

NOTE: TERMINATIONS LOCATED LESS THAN 8ft FROM A VERTICAL WALL MUST EXTEND AT LEAST 2ft ABOVE HIGHEST POINT WHERE THE PIPE PASSES THROUGH ROOF, AND AT LEAST 2ft HIGHER THAN ANY PORTION OF THE BUILDING WITHIN 10ft HORIZONTALLY.